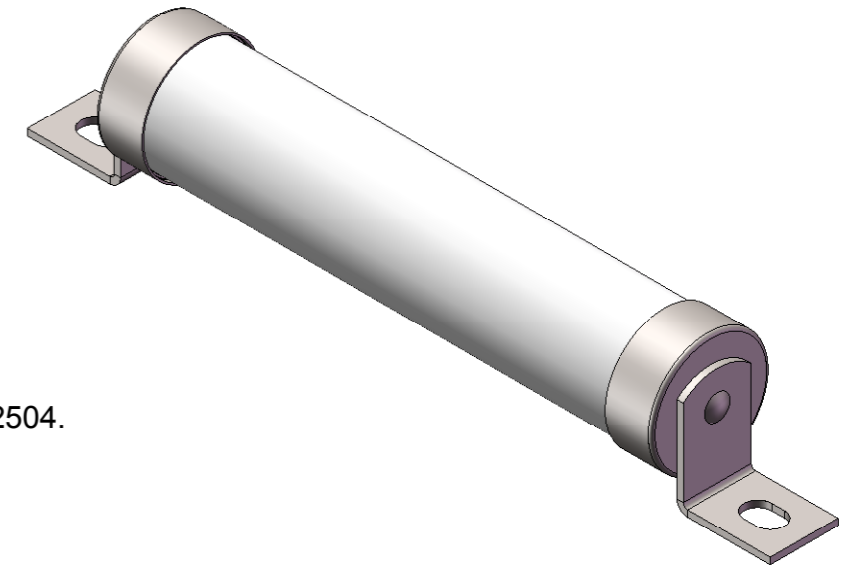
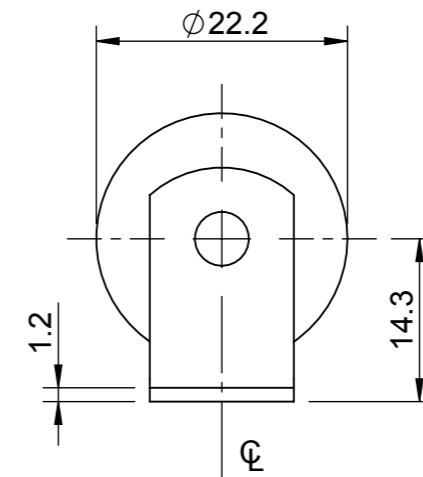
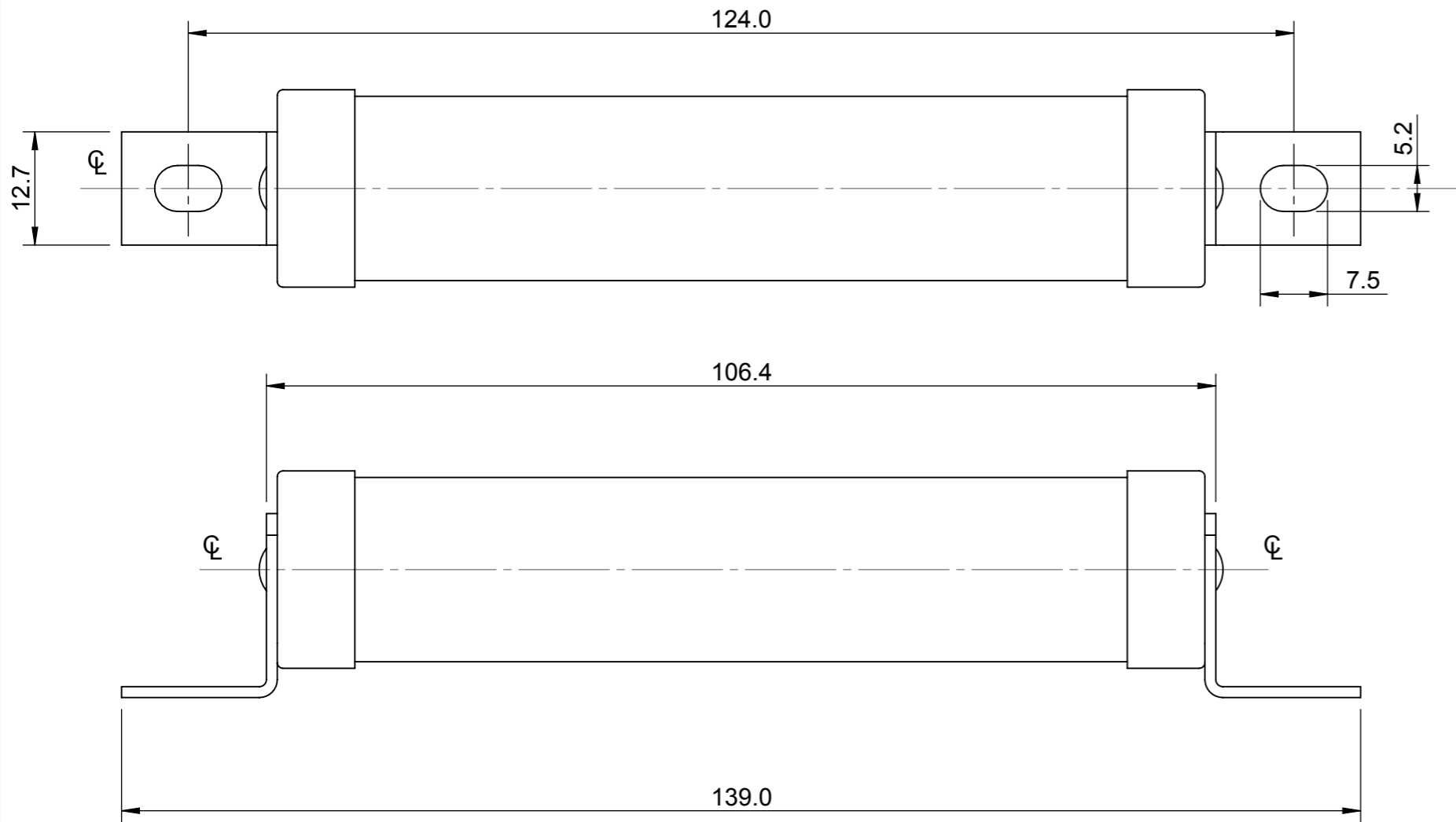


ITEM No. TAC--

REVISION				
REV	DESCRIPTION	BY	DATE	CHANGE NO.
A	CONVERSION OF GE LV FUSE DRAWINGS TO SOLIDWORKS	RAG	20/06/2012	B17258



SL . No	ITEM No
1	TAC2
2	TAC4
3	TAC6
4	TAC10
5	TAC16
6	TAC20
7	TAC25
8	TAC32

NOTE :

- FOR TAG ALIGNMENT TOLERANCE REF SPEC. 5782504.

MODEL VERSION: 00	MATERIAL:	UNLESS OTHERWISE SPECIFIED, ALL DIMENSIONS ARE IN MILLIMETERS. TOLERANCES UNLESS OTHERWISE SPECIFIED: GENERAL ± 0.4mm ANGULAR ± 1°	COOPER Bussmann Burton-on-the-Wolds, Leics, LE12 5TH Tel +44 1509 882 600 Fax +44 1509 882786				
	FINISH:		UNCONTROLLED COPY	TITLE: OUTLINE FOR 'TAC' FUSELINKS (2 - 32 AMP)			
	SURFACE AREA: VARIOUSmm ²		THIS DRAWING IS CONFIDENTIAL AND THE COPYRIGHT OF COOPER BUSSMANN AND MUST NOT BE COPIED OR PASSED ON TO A THIRD PARTY WITHOUT WRITTEN CONSENT	DWG NO: 1000001975		ANGLE: THIRD	REV: A
	VOLUME: 27137.25mm ³			DRAWN BY: RAG	CHECKED BY: JM	DATE: 20/06/2012	SCALE: NTS
MODEL SOURCE FILE: 1000001975	MASS: 76.39g						

X-ON Electronics

Largest Supplier of Electrical and Electronic Components

Click to view similar products for [Industrial & Electrical Fuses](#) category:

Click to view products by [Eaton](#) manufacturer:

Other Similar products are found below :

[MTH-4](#) [MTH-8](#) [BP/NON-30](#) [NLN2](#) [NLN25](#) [KTN-R-10](#) [LPS-RK-2SP](#) [ABU-35](#) [FLSR100](#) [BLF6](#) [KLK003](#) [LPS-RK-100](#) [LPS-RK-15](#) [LPS-RK-20](#) [LPS-RK-70](#) [LPS-RK-90](#) [NLS10](#) [FRN-R-30ID](#) [FRS-R-20ID](#) [KLK015](#) [CHSF-80](#) [LDFJ350.X](#) [FUSE](#) [5A/32V](#) [FK-1](#) [381280](#) [384515](#) [381050](#) [491335](#) [492138](#) [004184220](#) [004184223](#) [004184228](#) [004185224](#) [004181214](#) [3050611.0,5](#) [432001](#) [BAF-4](#) [FRN-R-600](#) [MIC-20](#) [BBS-4/10](#) [BBS-3/4](#) [BBS-1/2](#) [C10G32](#) [C10M20](#) [JJN-100](#) [JJN-15](#) [JJN-60L](#) [KRP-C-700SP](#) [KTK-R-1-1/2](#) [3RU1136-1KB0](#) [LP-CC-12](#)