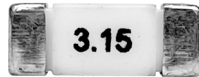


1350HV

High voltage fast-acting brick fuse



Product features

- 13 x 5.0 x 5.0 mm surface mount package
- High voltage fast-acting brick fuse
- 600 Vdc voltage rating
- Ceramic tube, silver plated cap construction
- Moisture sensitivity level (MSL): 1

Applications

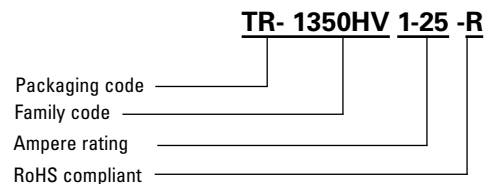
Primary and secondary circuit protection:

- Server & telecom systems, including 380 Vdc distribution
- Single phase and 3-phase UPS
- 380 Vdc DC-DC converters
- High voltage DC-DC conversion
- Power factor correction
- Capacitor output protection

Environmental compliance



Ordering part number



Packaging prefix

TR- (1000 parts on a 13" diameter tape and reel)

Electrical characteristics

Amp Rating	% of rated current	Opening time
1 A ~ 5 A	100%	1 hour minimum
1 A ~ 5 A	200%	120 seconds maximum

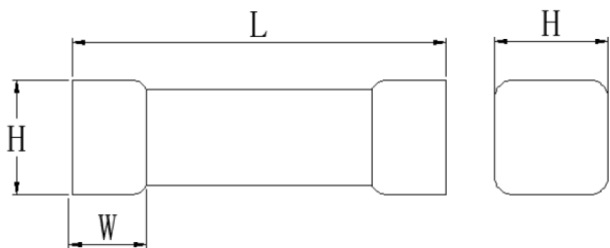
Product specifications

Part number	Current rating (A)	Voltage rating (Vac)	Voltage rating (Vdc)	Interrupting rating @ rated voltage ¹		Typical resistance ² (mΩ)	Typical voltage drop (mV)	Typical pre-arcing ³ I ² t (A ² s)	Part marking
1350HV1-R	1	350	600	100	100	252	335	0.5	1
1350HV1-25-R	1.25	350	600	100	100	192	325	0.95	1.25
1350HV1-6-R	1.6	350	600	100	100	116	230	2.3	1.6
1350HV2-R	2	350	600	100	100	93	255	4.1	2
1350HV2-5-R	2.5	350	600	100	100	51	174	2.6	2.5
1350HV3-15-R	3.15	350	600	100	100	39	165	3.4	3.15
1350HV4-R	4	350	500	100	100	31	175	5.5	4
1350HV5-R	5	350	500	100	100	22	155	11.5	5

1. AC Interrupting rating (measured at designated voltage, 100% power factor); DC Interrupting rating (measured at designated voltage, time constant of less than 50 microseconds, battery source)
 2. DC Cold resistance are measured at <10% of rated current in ambient temperature of +25 °C
 3. Typical pre-arcing I²t are measured at 10 I_n current, DC battery bank

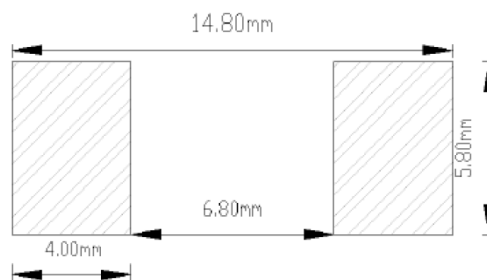
Dimensions- mm

Drawing not to scale



Rating	L	W	H
1 A ~ 5 A	13.20 ± 0.50	2.80 ± 0.50	5.05 ± 0.50

Recommended pad layout



Recommended trace thickness is 35 μm;
 the minimum trace width is 5 mm
 Recommended stencil thickness is 0.15 mm

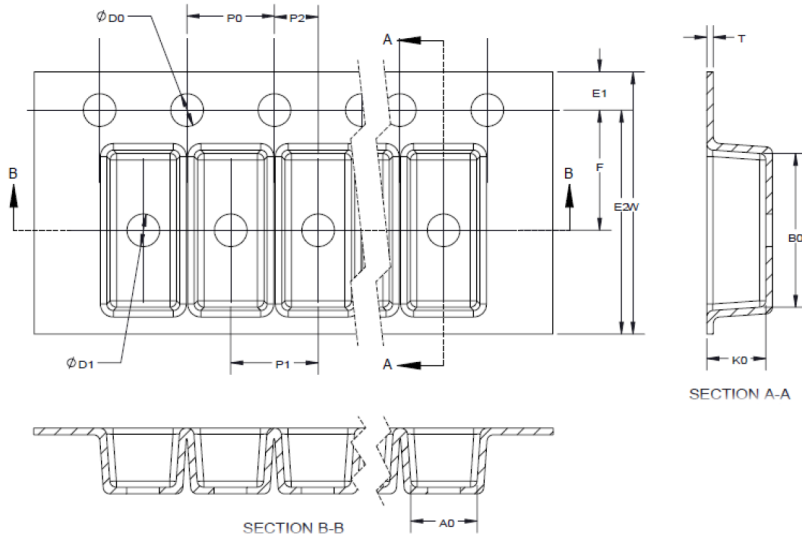
1350HV is also compatible with Littelfuse LF485 pad layout;
 wave solder pad size 5.6 mm x 6.9 mm and reflow solder pad size 5.6 mm x 3.5 mm

General specifications

Operating temperature: -40 °C to +125 °C with proper derating factor applied
Thermal shock: MIL-STD-202, Method 107G -40 °C/+125 °C. Note: Number of cycles required 100 times
Mechanical shock: Figure 1 of Method 213. Condition C, 100 g, 6 ms
Mechanical vibration: MIL-STD-202G, Method 204, 5 g's for 20 minutes, 12 cycles each of 3 orientations. Test from 10-2000 Hz
Resistance to solder heat: MIL-STD-202G Method 210F, condition D (+260 °C, 10 s)
Solderability test: J-STD-002, Method B1 Steam aging 1 hour, Solder temperature +255 ± 5 °C, solder immersion time 5 s

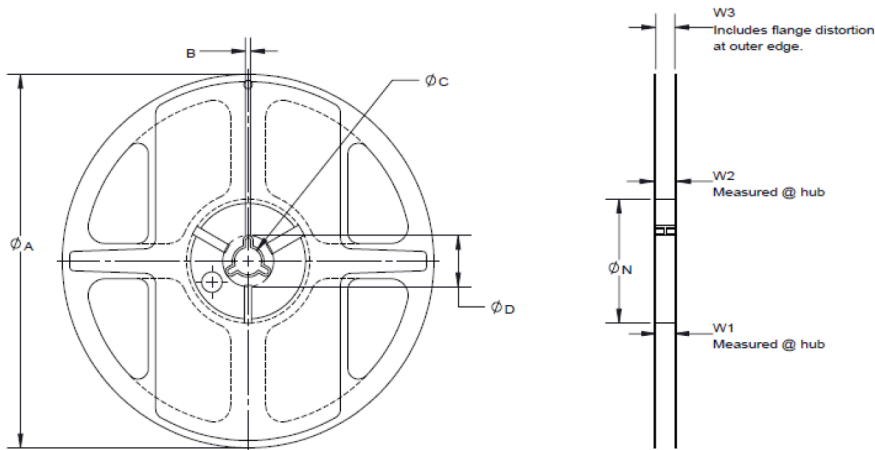
Packaging information - mm

1000 parts per 13" diameter reel (EIA-481 compliant)
Drawing not to scale



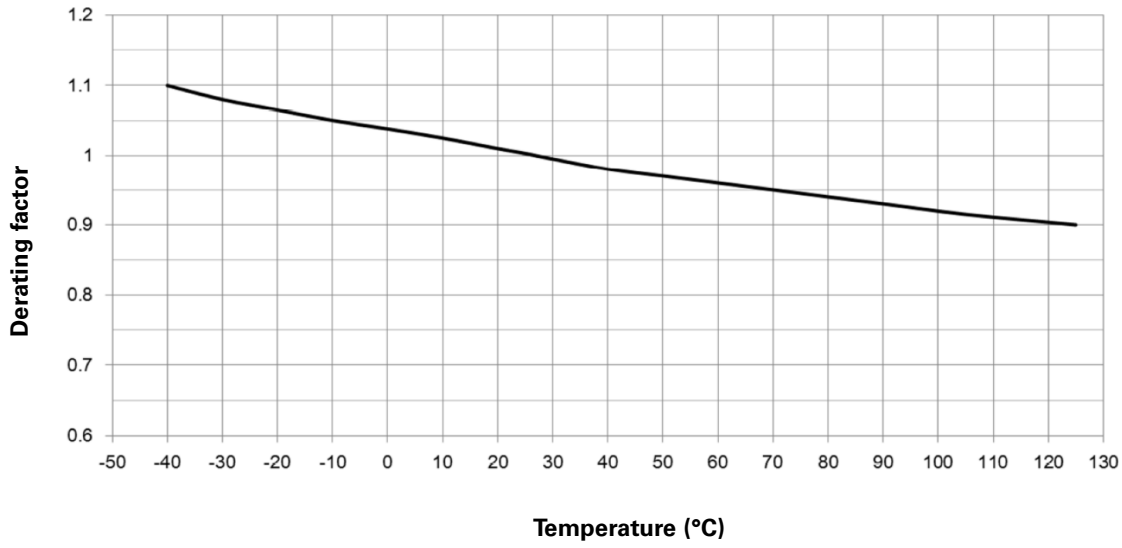
Dimension	millimeter
W	24.00
F	11.50
E1	1.75
E2	N/A
P0	4.00
P1	8.00
P2	2.00
D0	1.50
D1	1.50
A0	4.85
B0	12.75
K0	4.90
T	0.40

Reel dimension- mm

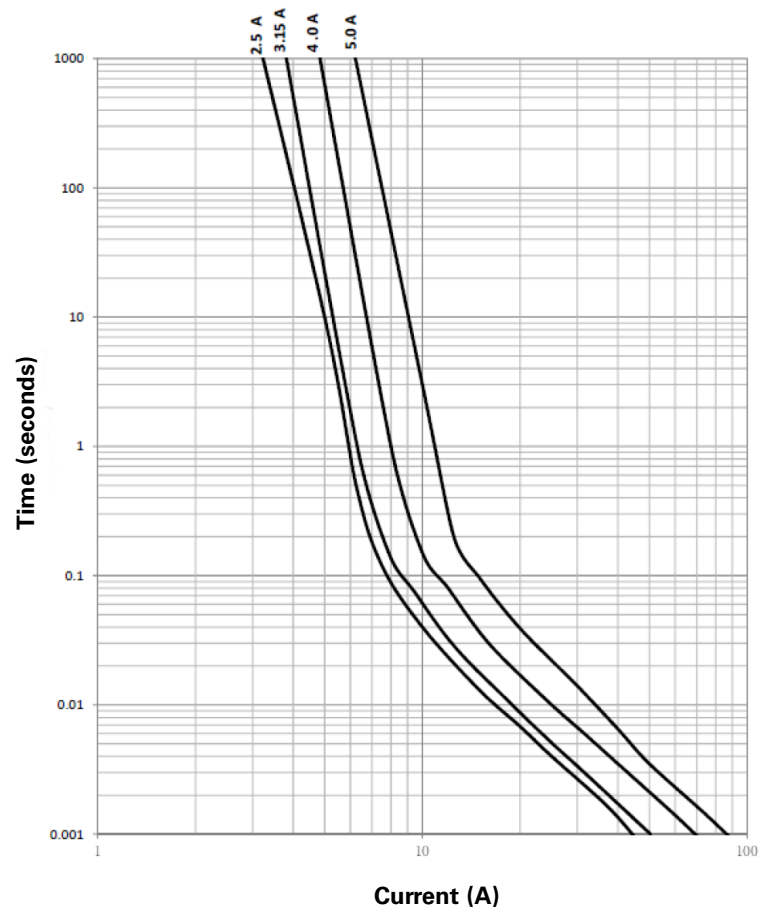
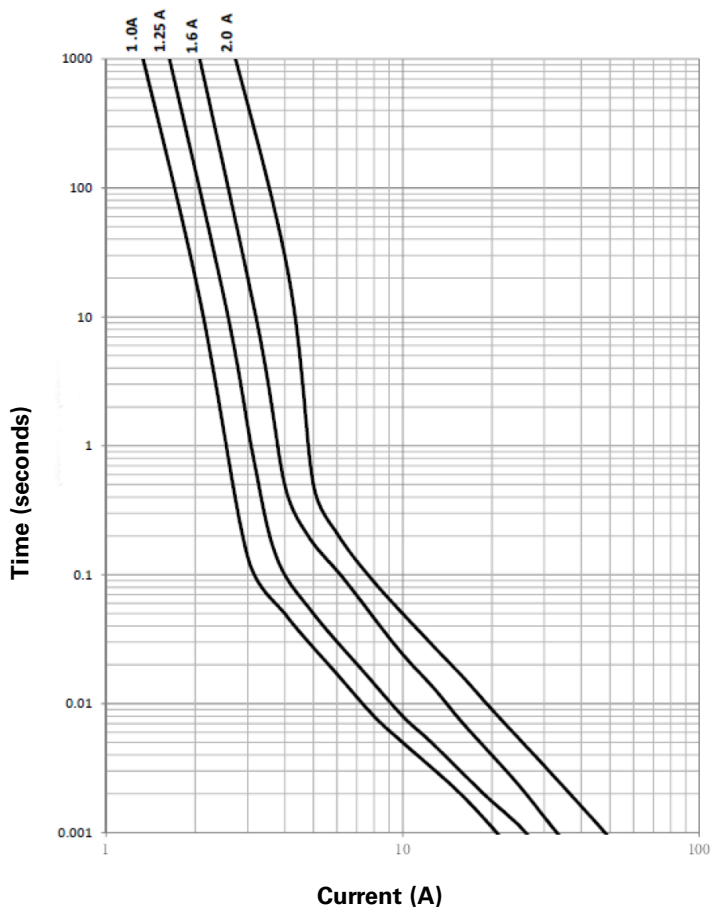


Dimension	millimeter
A	330 ± 1
B	2.5 ± 0.2
C	13.5 ± 0.2
D	N/A
N	100 ± 0.5
W1	24.8 ± 0.5
W2	30.4 max
W3	N/A

Temperature derating curve



Current vs. time curve



Solder reflow profile

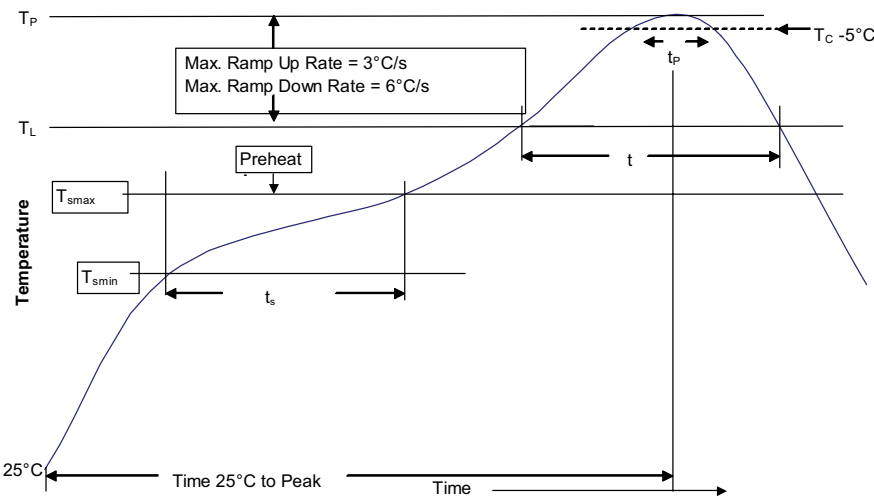


Table 1 - Standard SnPb solder (T_C)

Package thickness	Volume mm ³ <350	Volume mm ³ ≥350
<2.5 mm	235 °C	220 °C
≥2.5 mm	220 °C	220 °C

Table 2 - Lead (Pb) free solder (T_C)

Package thickness	Volume mm ³ <350	Volume mm ³ 350 - 2000	Volume mm ³ >2000
<1.6 mm	260 °C	260 °C	260 °C
1.6 – 2.5 mm	260 °C	250 °C	245 °C
>2.5 mm	250 °C	245 °C	245 °C

Reference J-STD-020

Profile feature	Standard SnPb solder	Lead (Pb) free solder
Preheat and soak	<ul style="list-style-type: none"> Temperature min. (T_{smin}) 100 °C Temperature max. (T_{smax}) 150 °C Time (T_{smin} to T_{smax}) (t_s) 60-120 seconds 	<ul style="list-style-type: none"> 150 °C 200 °C 60-120 seconds
Ramp up rate T _L to T _p	3 °C/ second max.	3 °C/ second max.
Liquidous temperature (T _L)	183 °C	217 °C
Time (t _L) maintained above T _L	60-150 seconds	60-150 seconds
Peak package body temperature (T _p)*	Table 1	Table 2
Time (t _p)* within 5 °C of the specified classification temperature (T _C)	20 seconds*	30 seconds*
Ramp-down rate (T _p to T _L)	6 °C/ second max.	6 °C/ second max.
Time 25 °C to peak temperature	6 minutes max.	8 minutes max.

* Tolerance for peak profile temperature (T_p) is defined as a supplier minimum and a user maximum.

Life Support Policy: Eaton does not authorize the use of any of its products for use in life support devices or systems without the express written approval of an officer of the Company. Life support systems are devices which support or sustain life, and whose failure to perform, when properly used in accordance with instructions for use provided in the labeling, can be reasonably expected to result in significant injury to the user.

Eaton reserves the right, without notice, to change design or construction of any products and to discontinue or limit distribution of any products. Eaton also reserves the right to change or update, without notice, any technical information contained in this bulletin.

Eaton
Electronics Division
1000 Eaton Boulevard
Cleveland, OH 44122
United States
Eaton.com/electronics

© 2021 Eaton
All Rights Reserved
Printed in USA
Publication No. ELX1041 BU-ELX21041
May 2021

Eaton is a registered trademark.

All other trademarks are property of their respective owners.

Follow us on social media to get the latest product and support information.



X-ON Electronics

Largest Supplier of Electrical and Electronic Components

Click to view similar products for [Surface Mount Fuses](#) category:

Click to view products by [Eaton](#) manufacturer:

Other Similar products are found below :

[FHC20402ADTP](#) [NFVC6125S0R50TRF](#) [TF16SN2.00TTD](#) [0686-5000-01](#) [0685-4000-01](#) [FCC16501ABTP](#) [FCC16102ABTP](#)
[FHC16322ADTP](#) [0308001.UR](#) [FCC16202ABTP](#) [7010.9962.63](#) [SEF 12A 65V \(G\)](#) [MST 250mA 250V](#) [TB60](#) [06 100.4](#) [TBF50](#) [TBF40](#)
[2010T315mA250V](#) [06 110.7](#) [12 100.1.5](#) [06 110.5](#) [1206FA-R250](#) [R06.100.6](#) [R12.100.15](#) [R06.000.0.375](#) [R06.000.6](#) [R06.100.0.25](#) [R12.000.8](#)
[R06.000.0.5](#) [R06.000.0.75](#) [R06.000.8](#) [R06.100.0.75](#) [R06.100.8](#) [R06.100.0.375](#) [R06.100.0.5](#) [R06.000.7](#) [R06.100.7](#) [S0603-S-2.0A](#) [F06F3.5](#)
[F12F20](#) [TA3VT2](#) [F12F1](#) [F06F7](#) [F06T3.5](#) [F06F0.375](#) [F06T8](#) [F12F30](#) [4T2A250V](#) [R12.100.7](#) [R12.100.30](#)