

max. 280 m³/h

DC Axial Fans

Series 3200 J 92 x 92 x 38 mm



Highlights:

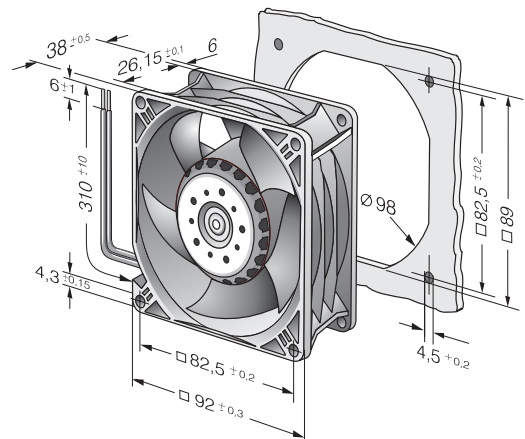
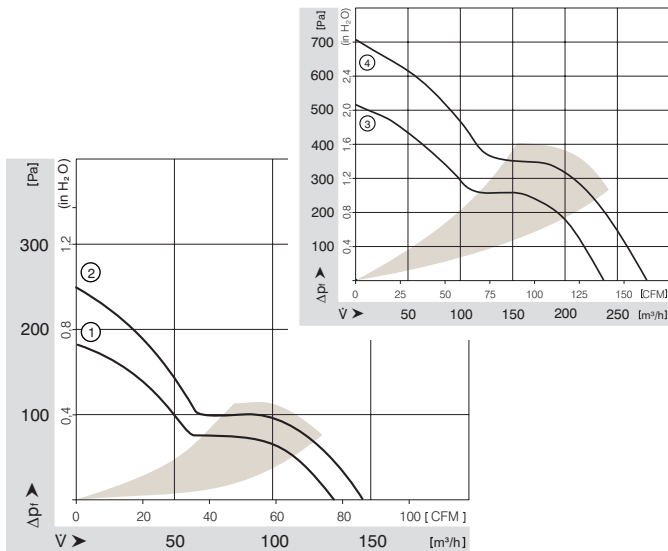
- Highly stable characteristic curve for high air flow with high back pressure.
- Innovative impeller with winglets for low noise.
- Optional Vario-Pro: Highly adaptable software configuration of the fan enables a tailor-made solution to the specific requirements of your applications.

General characteristics:

- Material: fiberglass-reinforced plastic. Impeller PA, housing PBT.
- Fully integrated electronic commutation. Protected against reverse polarity and blocking.
- Electrical connection via single leads AWG 24 (H3 and H4: AWG 22), TR 64. Stripped and tinned ends.
- Blowing over struts. Rotational direction CW looking at rotor.
- Mass: 240 g (H3 and H4: 280 g).

Nominal Data	Air Flow		Nominal Voltage	Voltage Range	Noise	Sound Power	Sinter-Sleeve Bearings Ball Bearings	Power Input	Nominal Speed	Temperature Range	Service Life L ₁₀ (40 °C) ebm-papst Standard	Service Life L ₁₀ (T _{max}) ebm-papst Standard	Life expectancy L ₁₀ Δ (40 °C)	Curve	Specials
	m ³ /h	CFM													
3212 JN	130	76.5	12	7...13.8	51	6..1	■	7.5	6 000	-20 ...+70	70 000 / 35 000	140 000	140 000	1	/2
3212 JH	146	86.0	12	7...15.0	55	6.4	■	9.0	6 800	-20 ...+70	70 000 / 35 000	140 000	140 000	2	
NEW 3212 JH3	237	139.5	12	6...13.8	69	7.8	■	30.0	11 000	-20 ...+70	65 000 / 32 500	130 000	130 000	3	/2
NEW 3212 JH4	280	164.8	12	6...13.8	73	8.2	■	50.0	13 000	-20 ...+70	60 000 / 30 000	120 000	120 000	4	/2
3214 JN	130	76.5	24	11...28.0	51	6.1	■	8.0	6 000	-20 ...+70	70 000 / 35 000	140 000	140 000	1	
3214 JH	146	86.0	24	11...30.0	55	6.4	■	9.0	6 800	-20 ...+70	70 000 / 35 000	140 000	140 000	2	/2
NEW 3214 JH3	237	139.5	24	12...27.6	69	7.8	■	30.0	11 000	-20 ...+70	65 000 / 32 500	130 000	130 000	3	/2
NEW 3214 JH4	280	164.8	24	12...27.6	73	8.2	■	50.0	13 000	-20 ...+70	60 000 / 30 000	120 000	120 000	4	/2
3218 JN	130	76.5	48	36...56.0	51	6.1	■	7.0	6 000	-20 ...+70	70 000 / 35 000	140 000	140 000	1	
3218 JH	146	86.0	48	36...53.0	55	6.4	■	9.5	6 800	-20 ...+70	70 000 / 35 000	140 000	140 000	2	
NEW 3218 JH3	237	139.5	48	20...58.0	69	7.8	■	30.0	11 000	-20 ...+70	65 000 / 32 500	130 000	130 000	3	/2
NEW 3218 JH4	280	164.8	48	20...58.0	73	8.2	■	50.0	13 000	-20 ...+70	60 000 / 30 000	120 000	120 000	4	/2

3200 JH3 and JH4 also as standard with PWM control input and speed signal.
Speed control range from 2000 min⁻¹ up to maximum nominal speed. Stationary at 0 % PWM, maximum speed when no sensor is connected.



X-ON Electronics

Largest Supplier of Electrical and Electronic Components

Click to view similar products for [ebm papst](#) manufacturer:

Other Similar products are found below :

[5930-507](#) [6224NT](#) [M4Q045-CF01-75](#) [M4Q045-DA05-01](#) [D2E133-DM27-D8](#) [8314S](#) [G1G085-AB05-01](#) [G2E108-AG63-01](#) [G2E140-AL30-48](#) [A2D200-AA02-16](#) [A2E200-AF02-02](#) [A4D350-AN08-02](#) [A4E300-AS72-02](#) [A4E330-AP18-13](#) [R1G225-AG15-11](#) [R2D220-AA24-13](#) [R2D270-AB12-09](#) [R2E220-AB08-12](#) [R3G310-AL09-30](#) [R4E225-AT15-10](#) [R4E400-AP15-10](#) [REF100-11/14](#) [9496-2-4039-1](#) [A2D240-AA02-10](#) [A2D250-AA06-52](#) [A2E300-AP02-01](#) [G2E120-FV56-16](#) [G2E160-AY47-57](#) [QR06A-2/106349](#) [R1G250-AQ21-52](#) [R2E180CH0312](#) [R2E225-BD92-36](#) [R3G175-AF25-02](#) [LZ27](#) [REF100-11/12](#) [RG125-19/12N/2](#) [RH31M-6/104372](#) [RH56M-6/204689](#) [RLF100-11/18](#) [55416.30320](#) [K3G097-AK34-43](#) [D4E180-BA02-02](#) [4112NHH](#) [412FH-132](#) [W2E200-CI38-01](#) [W2G110-AK43-83](#) [422JM](#) [4314/17T](#) [4314R](#) [DV6424/12](#)