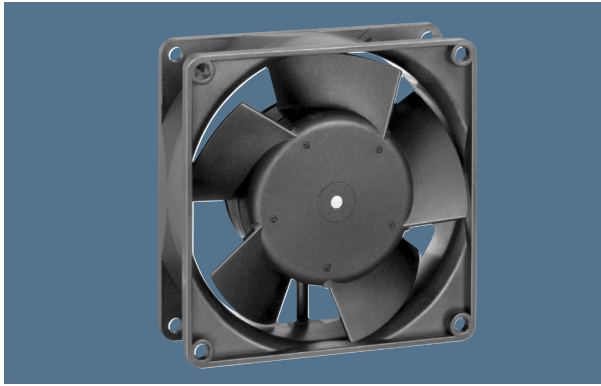


max. 107 m<sup>3</sup>/h

# DC axial fans

Series 3300 92 x 92 x 32 mm



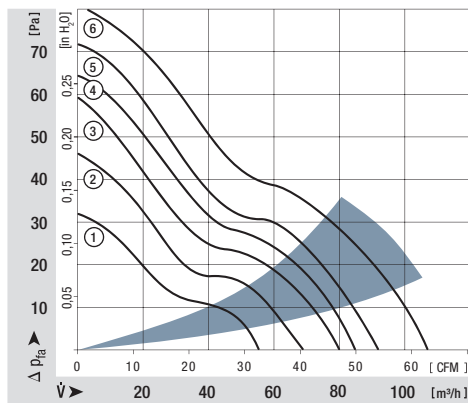
### Highlights:

- Ball bearings and sleeve bearings available.
- Optional Vario-Pro: Highly adaptable software configuration of the fan enables a tailor-made solution to the specific requirements of your applications.

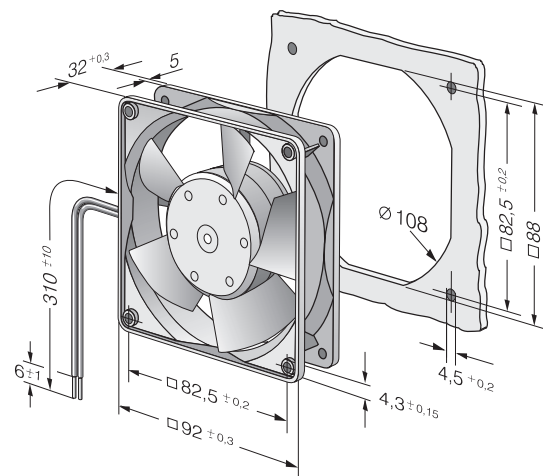
### General characteristics:

- Material: fibreglass-reinforced plastic. Impeller PA, housing PBT.
- Fully integrated electronic commutation.
- Protected against reverse polarity and locking.
- Connection via single strands AWG 22, TR 64. Bared and tin-plated.
- Air exhaust over struts. Direction of rotation clockwise, seen on rotor.
- Mass: 190 g.

Nominal data	Air flow		Nominal voltage	Voltage range	Sound pressure level	Sound power level	Sinterc sleeve bearings Ball bearings	Power input	Nominal speed	Temperature range	Service life L <sub>10</sub> (40 °C) ebm-papst Standard	Service life L <sub>10</sub> (T <sub>max</sub> ) ebm-papst Standard	Life expectancy L <sub>10</sub> <sup>Δ</sup> (40 °C) see P. 15	Curve	Specials
	m <sup>3</sup> /h	CFM													
3312 L	56	33,0	12	6...15	29	4,5	■	1,4	2 150	-20...+75	80 000 / 35 000	147 500	1		
3312 GM	68	40,0	12	6...15	34	4,8	□	1,7	2 600	-20...+75	70 000 / 30 000	135 000	2		
3312 M	68	40,0	12	6...15	34	4,8	■	1,7	2 600	-20...+75	70 000 / 30 000	135 000	2		
3312	80	47,1	12	6...15	37	5,2	■	2,4	3 000	-20...+75	70 000 / 30 000	135 000	3	/2	
3312-177	93	54,7	12	6...15	43	5,7	■	3,5	3 500	-20...+75	65 000 / 27 500	122 500	5		
3314 G	80	47,1	24	12...28	37	5,2	□	2,6	3 000	-20...+75	70 000 / 30 000	135 000	3		
3314	80	47,1	24	12...28	37	5,2	■	2,6	3 000	-20...+75	70 000 / 30 000	135 000	3	/17	
3314-140	85	50,0	24	12...28	40	5,4	■	3,0	3 200	-20...+75	70 000 / 30 000	135 000	4		
3314 H	107	63,0	24	12...28	47	6,0	■	5,3	4 000	-20...+75	57 500 / 25 000	112 500	6	/2	
3318	80	47,1	48	36...56	37	5,2	■	2,7	3 000	-20...+75	70 000 / 30 000	135 000	3	/2	
3318 H	107	63,0	48	36...56	47	6,0	■	4,3	4 000	-20...+60	57 500 / 35 000	112 500	6	/2/17	



Rotor protrusion max. 0,4 mm.



## X-ON Electronics

Largest Supplier of Electrical and Electronic Components

*Click to view similar products for [DC Fans](#) category:*

*Click to view products by [ebm papst](#) manufacturer:*

Other Similar products are found below :

[614R](#) [AUB0612L](#) [AFB0948HH-S687](#) [G2E085-AA05-10](#) [4318/12T](#) [AUB0912H-F00](#) [3412N/2ME](#) [W2G110-AM39-01](#) [8412GLV](#) [8412NGL-12](#) [6448-384](#) [4114N/17-251](#) [622/2N](#) [4318/2R](#) [4412F/2D](#) [424JMU](#) [4414/2HH](#) [4112 N/12GL-175](#) [9GA0912F402](#) [9GA0812B20011](#)  
[AFB0824SHBAV1](#) [DV5214/2NP-230](#) [9GA0912H4021](#) [THC1548MGDJJ](#) [GFB1224SHG](#) [8500NU](#) [DC0401012V2B-3T0](#) [7F.20.9.024.3100](#)  
[ASFP12391](#) [ASFP12392](#) [ASFP80372](#) [ASFP92391](#) [MF92251V3-1000U-G99](#) [3254J/2HPU](#) [9A0612G402](#) [AD5012HB-C71](#) [AD5012MB-C71](#)  
[ASFP84372](#) [ASFP64372](#) [026758A](#) [3258J/2H3PU????](#) [412/2H](#) [4292](#) [MF60152V1-1000U-G99](#) [3610KL-04W-B50-D00](#) [109P0412K3023](#)  
[EE92251B1-000U-F99](#) [8218J/2H4P](#) [PE60251B1-000U-G99](#) [PF60381B1-000U-S99](#)