

max. 133 m³/h

DC axial fans

Series 3300 N 92 x 92 x 32 mm

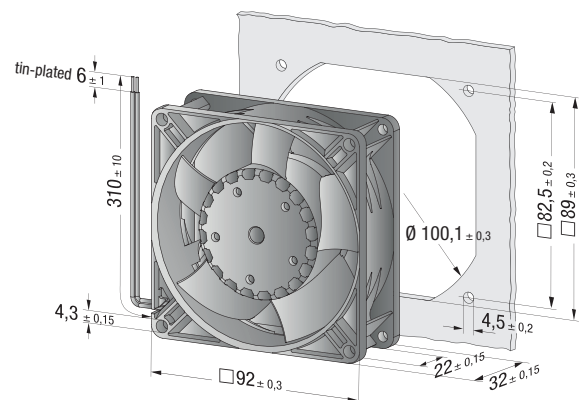
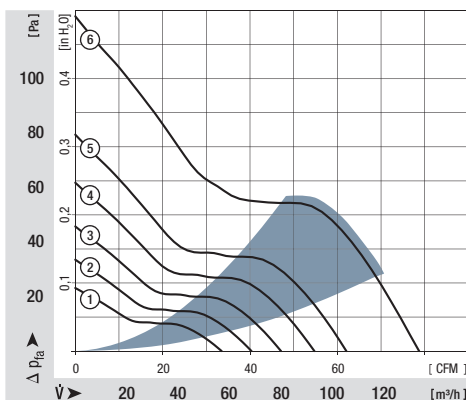


- **Material:** Housing: GRP¹⁾ (PBT)
Impeller: GRP¹⁾ (PA)
 - **Direction of air flow:** Exhaust over struts
 - **Direction of rotation:** Clockwise, seen on rotor
 - **Connection:** Via single wires AWG 24
UL 1061, TR 64
 - **Mass:** 190 g
- **Possible special versions:**
(See chapter DC fans - specials)
 - Speed signal
 - Go / No-go alarm
 - External temperature sensor
 - Internal temperature sensor
 - PWM control input
 - Analogue control input
 - Protection against moisture
 - Protection against salt fog
 - Type of protection: IP 54 / IP 68

1) Fibreglass-reinforced plastic

Nominal data		Air flow	Air flow	Nominal voltage	Voltage range	Sound pressure level	Sound power level	Sintec sleeve bearings Ball bearings	Input power	Nominal speed	Temperature range	Service life L ₁₀ (40 °C) ebm-papst Standard	Service life L ₁₀ (T _{max}) ebm-papst Standard	Life expectancy L ₁₀ (IPC (40 °C) see page 17	Curve
Type		m ³ /h	CFM	VDC	VDC	dB(A)	Bel(A)	■ / ■	Watts	rpm	°C	Hours	Hours		
NEW 3312 NL		56	33	12	6...15	24	4,1	■	0,8	1 850	-20...+75	80 000 / 35 000	135 000	①	
NEW 3312 NM		68	40	12	6...15	29	4,5	■	1,3	2 250	-20...+75	70 000 / 30 000	117 500	②	
NEW 3312 NN		80	47	12	6...15	35	4,7	■	1,8	2 650	-20...+75	70 000 / 30 000	117 500	③	
NEW 3312 NH		93	54	12	6...15	38	5,1	■	2,8	3 050	-20...+75	65 000 / 27 500	110 000	④	
NEW 3312 NHH		107	63	12	6...15	42	5,4	■	3,4	3 450	-20...+75	57 500 / 25 000	97 500	⑤	
NEW 3312 NH3		133	78	12	6...14	50	6,0	■	6,7	4 350	-20...+70	50 000 / 25 000	85 000	⑥	
NEW 3314 NN		80	47	24	18...28	35	4,7	■	1,8	2 650	-20...+75	70 000 / 30 000	117 500	③	
NEW 3314 NH		93	54	24	18...28	38	5,1	■	2,6	3 050	-20...+75	65 000 / 27 500	110 000	④	
NEW 3314 NHH		107	63	24	18...28	42	5,4	■	3,5	3 450	-20...+75	57 500 / 25 000	97 500	⑤	
NEW 3314 NH3		133	78	24	18...28	50	6,0	■	6,7	4 350	-20...+75	50 000 / 22 500	85 000	⑥	
NEW 3318 NN		80	47	48	36...60	35	4,7	■	1,8	2 650	-20...+75	70 000 / 30 000	117 500	③	
NEW 3318 NH		93	54	48	36...60	38	5,1	■	3,5	3 050	-20...+75	65 000 / 27 500	110 000	④	
NEW 3318 NH3		133	78	48	36...58	50	6,0	■	6,5	4 350	-20...+75	50 000 / 22 500	85 000	⑥	

Subject to alternations



X-ON Electronics

Largest Supplier of Electrical and Electronic Components

Click to view similar products for [AC Fans](#) category:

Click to view products by [ebm papst](#) manufacturer:

Other Similar products are found below :

[M2E068-DF13-79](#) [F1238H24B-FHR](#) [8850A](#) [G9225S05B2-FSR](#) [A2D200-AA04-41](#) [A2E165-AA17-01](#) [R2D140-AB02-14](#) [R4D310-AS18-01](#)
[R4D400-AD22-06](#) [R4E180-AS11-09](#) [AD0912HB-A7BGL](#) [1500-FAN-01](#) [25.001.1856.0](#) [25.320.1153.1](#) [25.320.1353.1](#) [25.320.4753.1](#)
[25.320.5453.1](#) [25.330.1353.1](#) [25.330.4853.1](#) [25.330.5153.1](#) [25.330.5353.1](#) [25.340.1053.1](#) [25.350.5253.0](#) [25.600.4053.0](#) [272DL-2LP11-000](#)
[S2E250-AL06-70](#) [A2D210-AB10-05](#) [A2D240-AA02-02](#) [A2D250-AE22-06](#) [A2E170-AF23-01](#) [F1238S24BT-FSR](#) [25.000.1856.0](#)
[25.000.2056.0](#) [25.010.1856.0](#) [25.220.3953.1](#) [25.332.2453.1](#) [25.340.0453.1](#) [25.345.5353.0](#) [25.352.1853.0](#) [281DS-2LP11-000B](#) [281DY-](#)
[1LP14-000B](#) [298DM-2LP11-000](#) [298DS-2LP11-000A](#) [R2S150-AD08-09](#) [344DY-1LP11-000](#) [39.703.0253.0](#) [USTF1203224VHW](#)
[3915100996-SA3](#) [3G2C7MC224](#) [W2D200-HH04-07](#)