

Max. 102 m<sup>3</sup>/h

# DC axial fans

□ 92 x 25 mm

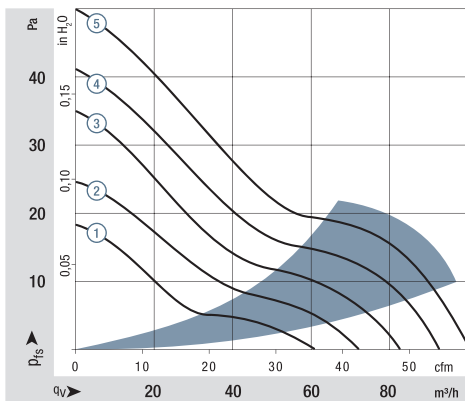


- **Material:** Housing: GRP<sup>1)</sup> (PBT)  
Impeller: GRP<sup>1)</sup> (PA)
  - **Direction of air flow:** Exhaust over struts
  - **Direction of rotation:** Counterclockwise, looking towards rotor
  - **Connection:** Via single wires AWG 24, TR 64
  - **Weight:** 100 g
- **Possible special versions:** (See chapter DC fans - specials)
    - Speed signal
    - Go / NoGo alarm
    - Alarm with speed limit
    - External temperature sensor
    - Internal temperature sensor
    - PWM control input
    - Analog control input
    - Moisture protection
    - Degree of protection: IP 54 / IP 68

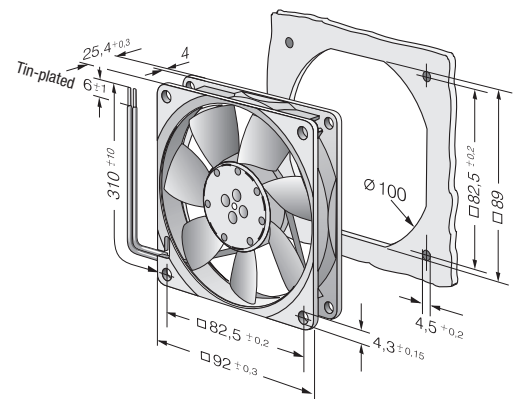
1) Fiberglass-reinforced plastic

| Series 3400 N |                   |      |                 |               |                      |                   |   |                   |               |                   |  |  |  |       |
|---------------|-------------------|------|-----------------|---------------|----------------------|-------------------|---|-------------------|---------------|-------------------|--|--|--|-------|
| Nominal data  | Air flow          |      | Nominal voltage | Voltage range | Sound pressure level | Sound power level | Sinter sleeve bearings<br>Ball bearings | Power consumption | Nominal speed | Temperature range | Service life L <sub>10</sub> (40 °C)<br>ebm-papst standard | Service life L <sub>10</sub> (T <sub>max</sub> )<br>ebm-papst standard | Life expectancy L <sub>10</sub> IPC<br>(40 °C) see page 17 | Curve |
|               | m <sup>3</sup> /h | cfm  |                 |               |                      |                   |   |                   |               |                   |  |  |  |       |
| 3412 NGL      | 61                | 35.9 | 12              | 8...15        | 23                   | 4.0               | □                                       | 1.1               | 1 950         | -20...+80         | 80 000 / 22 500  | 135 000  | ①  |       |
| 3412 NLE      | 61                | 35.9 | 12              | 8...15        | 23                   | 4.0               | ■                                       | 0.8               | 1 950         | -20...+85         | 80 000 / 17 500  | 135 000  | ①  |       |
| 3412 NGME     | 72                | 42.4 | 12              | 8...15        | 28                   | 4.3               | □                                       | 1.6               | 2 300         | -20...+75         | 75 000 / 27 500  | 127 500  | ②  |       |
| 3412 NME      | 72                | 42.4 | 12              | 8...15        | 28                   | 4.3               | ■                                       | 1.1               | 2 300         | -20...+75         | 75 000 / 27 500  | 127 500  | ②  |       |
| 3412 NG       | 84                | 49.4 | 12              | 8...15        | 32                   | 4.7               | □                                       | 1.9               | 2 700         | -20...+70         | 70 000 / 35 000  | 117 500  | ③  |       |
| 3412 N        | 84                | 49.4 | 12              | 8...15        | 32                   | 4.7               | ■                                       | 1.7               | 2 700         | -20...+70         | 70 000 / 35 000  | 117 500  | ③  |       |
| 3412 NGH      | 94                | 55.3 | 12              | 8...15        | 36                   | 5.0               | □                                       | 2.3               | 3 000         | -20...+70         | 70 000 / 35 000  | 117 500  | ④  |       |
| 3412 NH       | 94                | 55.3 | 12              | 8...15        | 36                   | 5.0               | ■                                       | 2.1               | 3 000         | -20...+70         | 70 000 / 35 000  | 117 500  | ④  |       |
| 3412 NGHH     | 102               | 60.0 | 12              | 8...13.2      | 39                   | 5.1               | □                                       | 3.2               | 3 250         | -20...+60         | 70 000 / 45 000  | 117 500  | ⑤  |       |
| 3412 NHH      | 102               | 60.0 | 12              | 8...13.2      | 39                   | 5.1               | ■                                       | 2.9               | 3 250         | -20...+60         | 70 000 / 45 000  | 117 500  | ⑤  |       |
| 3412 NHH-379  | 102               | 60.0 | 12              | 8...15        | 39                   | 5.1               | ■                                       | 2.7               | 3 250         | -20...+70         | 70 000 / 35 000  | 117 500  | ⑤  |       |
| 3414 NGL      | 61                | 35.9 | 24              | 18...28       | 23                   | 4.0               | □                                       | 1.4               | 1 950         | -20...+70         | 80 000 / 40 000  | 135 000  | ①  |       |
| 3414 NL       | 61                | 35.9 | 24              | 18...28       | 23                   | 4.0               | ■                                       | 1.1               | 1 950         | -20...+70         | 80 000 / 40 000  | 135 000  | ①  |       |
| 3414 NGM      | 72                | 42.4 | 24              | 18...28       | 28                   | 4.3               | □                                       | 1.7               | 2 300         | -20...+70         | 75 000 / 37 500  | 127 500  | ②  |       |
| 3414 NM       | 72                | 42.4 | 24              | 18...28       | 28                   | 4.3               | ■                                       | 1.4               | 2 300         | -20...+70         | 75 000 / 37 500  | 127 500  | ②  |       |
| 3414 NG       | 84                | 49.4 | 24              | 18...28       | 32                   | 4.7               | □                                       | 2.5               | 2 700         | -20...+70         | 70 000 / 35 000  | 117 500  | ③  |       |
| 3414 N        | 84                | 49.4 | 24              | 18...28       | 32                   | 4.7               | ■                                       | 2.1               | 2 700         | -20...+70         | 70 000 / 35 000  | 117 500  | ③  |       |
| 3414 NGH      | 94                | 55.3 | 24              | 18...26       | 36                   | 5.0               | □                                       | 3.0               | 3 000         | -20...+70         | 70 000 / 35 000  | 117 500  | ④  |       |
| 3414 NH       | 94                | 55.3 | 24              | 18...26       | 36                   | 5.0               | ■                                       | 2.3               | 3 000         | -20...+70         | 70 000 / 35 000  | 117 500  | ④  |       |
| 3414 NGHH     | 102               | 60.0 | 24              | 18...26       | 39                   | 5.1               | □                                       | 3.2               | 3 250         | -20...+70         | 70 000 / 35 000  | 117 500  | ⑤  |       |
| 3414 NGH-389  | 102               | 60.0 | 24              | 18...28       | 39                   | 5.1               | □                                       | 3.2               | 3 250         | -20...+70         | 70 000 / 35 000  | 117 500  | ⑤  |       |
| 3414 NHH      | 102               | 60.0 | 24              | 18...26       | 39                   | 5.1               | ■                                       | 3.1               | 3 250         | -20...+70         | 70 000 / 35 000  | 117 500  | ⑤  |       |
| 3414 NHH-386  | 102               | 60.0 | 24              | 18...28       | 39                   | 5.1               | ■                                       | 3.2               | 3 250         | -20...+70         | 70 000 / 35 000  | 117 500  | ⑤  |       |
| 3418 N        | 84                | 49.4 | 48              | 36...56       | 32                   | 4.7               | ■                                       | 2.4               | 2 700         | -20...+70         | 70 000 / 35 000  | 117 500  | ③  |       |

Other 48 VDC models on request.



Air performance measured according to: ISO 5801.  
Installation category A, without contact protection.  
Noise: Total sound power level L<sub>WA</sub> ISO 103002 measured on a hemisphere with a radius of 2 m.  
Sound pressure level L<sub>PA</sub> measured at 1 m distance from fan axis.  
The values given are applicable only under the specified measuring conditions and may differ depending on the installation conditions.  
In the event of deviation from the standard configuration, the parameters must be checked after installation!  
For detailed information see <http://www.ebmpapst.com/general conditions>



## X-ON Electronics

Largest Supplier of Electrical and Electronic Components

*Click to view similar products for [DC Fans](#) category:*

*Click to view products by [ebm papst](#) manufacturer:*

Other Similar products are found below :

[614R](#) [AUB0612L](#) [AFB0948HH-S687](#) [G2E085-AA05-10](#) [4318/12T](#) [AUB0912H-F00](#) [3412N/2ME](#) [W2G110-AM39-01](#) [8412GLV](#) [8412NGL-12](#) [6448-384](#) [4114N/17-251](#) [622/2N](#) [4318/2R](#) [4412F/2D](#) [424JMU](#) [4414/2HH](#) [4112 N/12GL-175](#) [9GA0912F402](#) [9GA0812B20011](#) [AFB0824SHBAV1](#) [DV5214/2NP-230](#) [9GA0912H4021](#) [THC1548MGDJJ](#) [GFB1224SHG](#) [8500NU](#) [DC0401012V2B-3T0](#) [3254J/2HPU](#) [9A0612G402](#) [AD5012HB-C71](#) [AD5012MB-C71](#) [EF92251S3-1000U-A99](#) [PF80251B3-000U-Q99](#) [026758A](#) [3258J/2H3PU????](#) [412/2H](#) [4292](#) [MF60152V1-1000U-G99](#) [3610KL-04W-B50-D00](#) [EE92251B1-000U-G99](#) [8218J/2H4P](#) [4318NN](#) [4318NH3](#) [4314NL](#) [4312NM](#) [MITX-CORE-HTSNK](#) [ME45101V1-000U-A99](#) [OD1238-24HBIP55](#) [4312NHH](#) [612N/2GH](#)