

Max. 84 m³/h

DC axial fans

□ 92 x 25 mm



- **Material:** Housing: GRP¹⁾ (PBT)
Impeller: GRP¹⁾ (PA)
 - **Direction of air flow:** Exhaust over struts
 - **Direction of rotation:** Counterclockwise, looking towards rotor
 - **Connection:** Via single wires AWG 24, TR 64
 - **Highlights:** Automatic speed adjustment with temperature sensor
 - **Weight:** 100 g
- **Possible special versions:** (See chapter DC fans - specials)
 - Speed signal
 - Go / NoGo alarm
 - External temperature sensor
 - Internal temperature sensor
 - Moisture protection

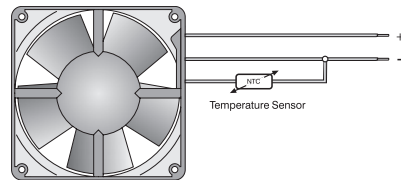
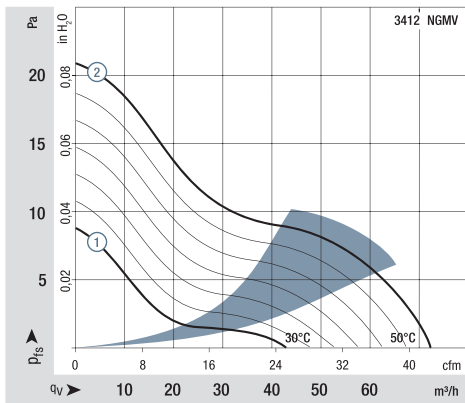
1) Fiberglass-reinforced plastic

Series 3400 N
VARIOfAN

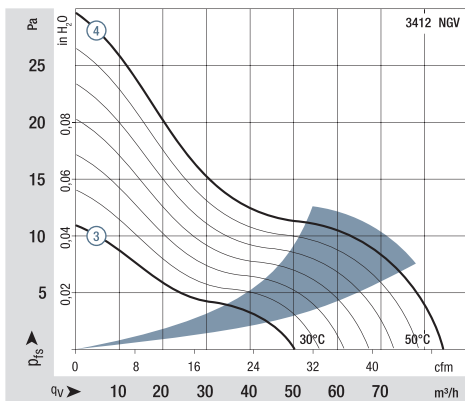
Nominal data

Type	Air flow		Nominal voltage		Voltage range		Sound pressure level	Sound power level	Sinter sleeve bearings	Ball bearings	Power consumption	Nominal speed	Temperature range	Service life L ₁₀ (40 °C)	Service life L ₁₀ (T _{max})	Life expectancy L ₁₀ (IPC)	Curve
	m ³ /h	cfm	VDC	VDC	dB(A)	Bel(A)	□ / ■	Watts	rpm ⁻¹	°C	Hours	Hours	Hours	Hours	Hours	Curve	
3412 NGMV	44	25.9	12	8...14	14	3.5	□	1.5	1 400	-20...+65	75 000 / 42 500	127 500	①	75 000 / 42 500	127 500	①	
	72	42.4			28	4.3		2.0	2 300								②
3412 NGV	50	29.4	12	8...12.6	16	3.7	□	1.6	1 600	-20...+65	75 000 / 42 500	127 500	③	75 000 / 42 500	127 500	③	
	84	49.4			32	4.7		2.5	2 700								④

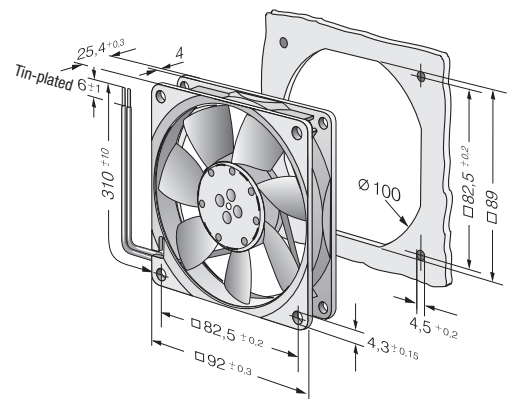
Subject to change



The temperature sensor for controlling the motor speed is not included in the scope of delivery. For the temperature sensor LZ 370, see accessories.



Air performance measured according to: ISO 5801. Installation category A, without contact protection. Noise: Total sound power level L_{WA} ISO 103002 measured on a hemisphere with a radius of 2 m. Sound pressure level L_{pA} measured at 1 m distance from fan axis. The values given are applicable only under the specified measuring conditions and may differ depending on the installation conditions. In the event of deviation from the standard configuration, the parameters must be checked after installation! For detailed information see <http://www.ebmpapst.com/general-conditions>



X-ON Electronics

Largest Supplier of Electrical and Electronic Components

Click to view similar products for [DC Fans](#) category:

Click to view products by [ebm papst](#) manufacturer:

Other Similar products are found below :

[614R](#) [AUB0612L](#) [AFB0948HH-S687](#) [G2E085-AA05-10](#) [4318/12T](#) [AUB0912H-F00](#) [3412N/2ME](#) [W2G110-AM39-01](#) [8412GLV](#) [8412NGL-12](#) [6448-384](#) [4114N/17-251](#) [622/2N](#) [4318/2R](#) [4412F/2D](#) [424JMU](#) [4414/2HH](#) [4112 N/12GL-175](#) [9GA0912F402](#) [9GA0812B20011](#) [AFB0824SHBAV1](#) [DV5214/2NP-230](#) [9GA0912H4021](#) [THC1548MGDJJ](#) [GFB1224SHG](#) [8500NU](#) [DC0401012V2B-3T0](#) [3254J/2HPU](#) [9A0612G402](#) [AD5012HB-C71](#) [AD5012MB-C71](#) [EF92251S3-1000U-A99](#) [PF80251B3-000U-Q99](#) [026758A](#) [3258J/2H3PU????](#) [412/2H](#) [4292](#) [MF60152V1-1000U-G99](#) [3610KL-04W-B50-D00](#) [EE92251B1-000U-G99](#) [8218J/2H4P](#) [4318NN](#) [4318NH3](#) [4314NL](#) [4312NM](#) [MITX-CORE-HTSNK](#) [ME45101V1-000U-A99](#) [OD1238-24HBIP55](#) [4312NHH](#) [612N/2GH](#)