



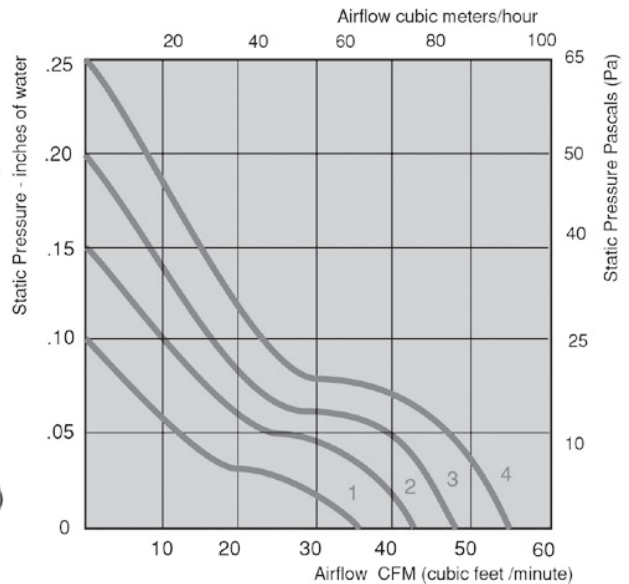
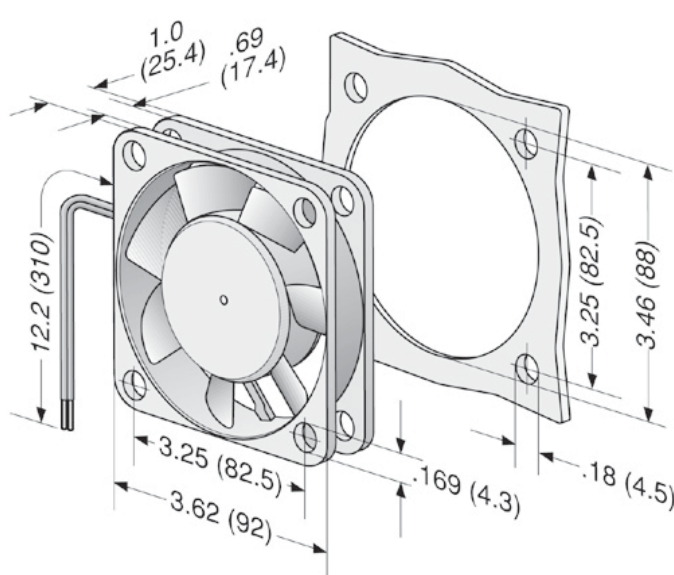
3400 Series

Tubeaxial

92x92x25mm

- DC fans with electronically commutated external rotor motor. Fully integrated commutation electronics.
- With electronic protection against reverse polarity, blocking and overloading; partially impedance protected.
- Mounting from either face using four 4.3 mm holes.
- Fan of fiberglass reinforced plastic. PBTP housing, PA impeller.
- Air exhaust over struts. Rotational direction CCW looking at rotor.
- Electrical connection via 2 leads AWG 24, TR 64. Stripped and tinned ends.
- UL, CSA, VDE approvals on some models, please contact application engineering.

Part Number	Curve	CFM @ 0	VDC	Volt. Range	Power (W)	dBA	Max Amb. Temp C	Bearing Type	Features	Wgt. (lbs)
3412GL	1	36	12	7 to 15	1.3	26	75	Sleeve	Leads	0.31
3412L	1	36	12	7 to 15	1.3	27	75	Ball	Leads	0.31
3412GM	2	42	12	7 to 15	1.8	32	75	Sleeve	Leads	0.31
3412M	2	42	12	7 to 15	1.8	32	75	Ball	Leads	0.31
3412/2	3	49	12	7 to 15	2.4	36	75	Ball	Leads	0.31
3412G	3	49	12	7 to 15	2.4	36	75	Sleeve	Leads	0.31
3412	3	49	12	7 to 15	2.4	36	75	Ball	Leads	0.31
3412GH	4	55	12	7 to 15	3.4	39	75	Sleeve	Leads	0.31
<hr/>										
3414GL	1	36	24	12 to 28	1.4	26	75	Sleeve	Leads	0.31
3414L	1	36	24	12 to 28	1.4	27	75	Ball	Leads	0.31
3414GM	2	42	24	12 to 28	1.8	32	75	Sleeve	Leads	0.31
3414M	2	42	24	12 to 28	1.8	32	75	Ball	Leads	0.31



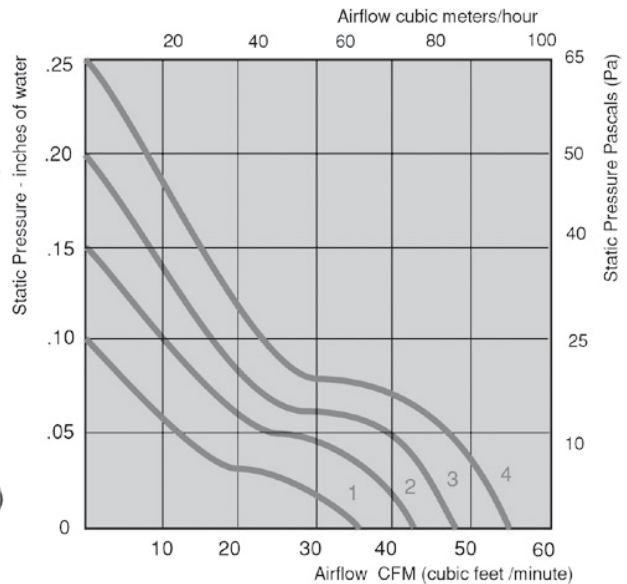
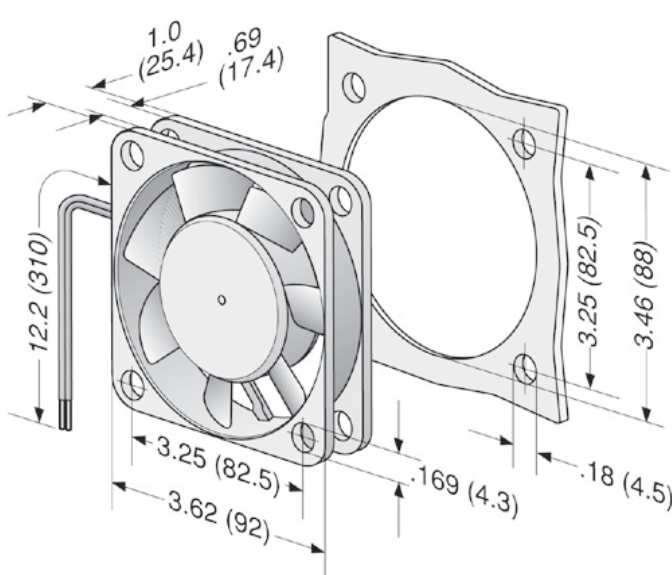


3400 Series cont. Tubeaxial

92x92x25mm

- DC fans with electronically commutated external rotor motor. Fully integrated commutation electronics.
- With electronic protection against reverse polarity, blocking and overloading; partially impedance protected.
- Mounting from either face using four 4.3 mm holes.
- Fan of fiberglass reinforced plastic. PBTP housing, PA impeller.
- Air exhaust over struts. Rotational direction CCW looking at rotor.
- Electrical connection via 2 leads AWG 24, TR 64. Stripped and tinned ends.
- UL, CSA, VDE approvals on some models, please contact application engineering.

Part Number	Curve	CFM @ 0	VDC	Volt. Range	Power (W)	dBA	Max Amb. Temp C	Bearing Type	Features	Wgt. (lbs)
3414/12	3	49	24	12 to 28	2.6	36	75	Ball	Leads	0.31
3414	3	49	24	12 to 28	2.6	36	75	Ball	Leads	0.31
3414/2	3	49	24	12 to 28	2.6	36	75	Ball	Leads	0.31
3414G	3	49	24	12 to 28	2.4	36	75	Sleeve	Leads	0.31
3414H	4	55	24	12 to 28	3.8	39	75	Ball	Leads	0.31



ebmpapst

e-mail: sales@us.ebmpapst.com · TEL: 860-674-1515 · FAX: 860-674-8536

ebm-papst Inc., 100 Hyde Road, Farmington, CT 06034 USA

ebm-papst Inc., 2004 © ebm-papst Inc. reserves the right to change any specifications or data without notice

X-ON Electronics

Largest Supplier of Electrical and Electronic Components

Click to view similar products for [DC Fans](#) category:

Click to view products by [ebm papst](#) manufacturer:

Other Similar products are found below :

[614R](#) [6424/2HP-210](#) [8312R](#) [DV4118/2NP-183](#) [AFB0948HH-S687](#) [PFB0824DHE-8B72](#) [G2E085-AA05-10](#) [RD20S-4/210660](#) [4318/12T](#)
[4418HH](#) [AUB0912H-F00](#) [3412N/2ME](#) [K2E225-RA92-09](#) [6222N](#) [3610KL-04W-B40-D00](#) [A-FLT84](#) [8412NGL-12](#) [4114N/12HHR-297](#)
[4656](#) [ZWR-903](#) [4112N12GL-175](#) [KD2406PKB2.\(2\).GN](#) [AFB1248HHE](#) [AFB1212LE-F00](#) [FAN-SCH-1](#) [EF92252S1-1000U-G99](#)
[PF80252V1-1000U-G99](#) [4114N/17-251](#) [6212NH](#) [622/2N](#) [712F-011](#) [8218J/2NP-181](#) [W1G180-AB47-15](#) [6318N/2H3PU](#) [6318HU](#) [424JMU](#)
[PMD1206PTVX-A.U.GN](#) [PF80251B2-000U-F99](#) [AD1224LB-A71GL](#) [9GA0924L4021](#) [9GA0924M4021](#) [9GA0924M4011](#) [9GA0824B20011](#)
[9GA0812A2D0011](#) [9GA0912M4D011](#) [9GA0924W4D01](#) [9GA0912F4021](#) [9GA0912F402](#) [9GA0912H4D011](#) [9GA0824L20021](#)
[9GA0824L20011](#)