

max. 102 m³/h

DC axial fans

Series 3400 N 92 x 92 x 25 mm



Highlights:

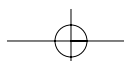
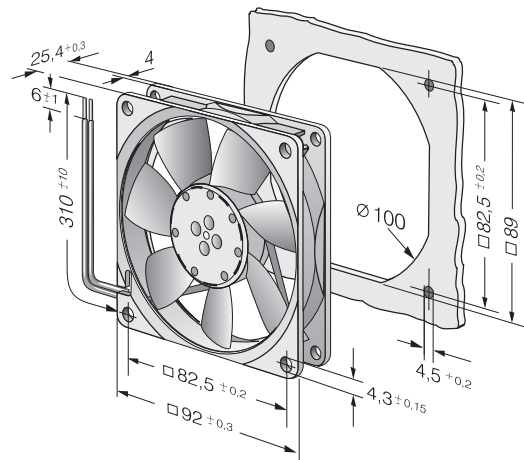
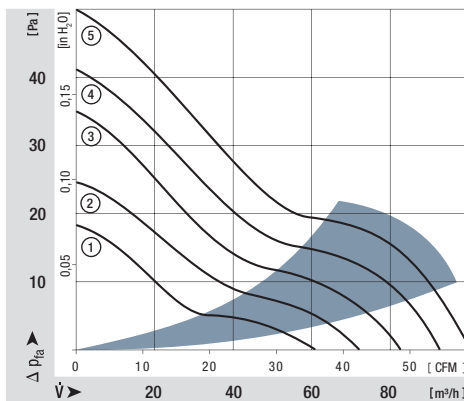
- Ball bearings and sleeve bearings available.
- Some models suitable for use at high ambient temperatures up to 85 °C.

General characteristics:

- Material: fibreglass-reinforced plastic. Impeller PA, housing PBT.
- Fully integrated electronic commutation.
- Protected against reverse polarity and locking.
- Connection via single strands AWG 24, TR 64. Bared and tin-plated.
- Air exhaust over struts. Direction of rotation counter-clockwise, seen on rotor.
- Mass: 100 g.

Nominal data	Air flow		Nominal voltage	Voltage range	Sound pressure level	Sound power level	Sinter sleeve bearings Ball bearings	Power input	Nominal speed	Temperature range	Service life L ₁₀ (40 °C) ebm-papst Standard	Service life L ₁₀ (T _{max}) ebm-papst Standard	Life expectancy L ₁₀ Δ (40 °C) see P. 15	Curve	Specials
	Type	m ³ /h													
3412 NGL	61	35,9	12	8...15	23	4,0	□	1,1	1 950	-20...+80	80 000 / 30 000	160 000	1		
3412 NLE	61	35,9	12	8...15	23	4,0	■	0,8	1 950	-20...+85	80 000 / 27 500	160 000	1		
3412 NGME	72	42,4	12	8...15	28	4,3	□	1,6	2 300	-20...+75	75 000 / 32 500	150 000	2		
3412 NME	72	42,4	12	8...15	28	4,3	■	1,1	2 300	-20...+75	75 000 / 32 500	150 000	2	/2	
3412 NG	84	49,4	12	8...15	32	4,7	□	2,2	2 700	-20...+70	70 000 / 35 000	140 000	3	/2	
3412 N	84	49,4	12	8...15	32	4,7	■	2,2	2 700	-20...+70	70 000 / 35 000	140 000	3	/2	
3412 NGH	94	55,3	12	8...15	36	5,0	□	2,5	3 000	-20...+70	70 000 / 35 000	140 000	4		
3412 NH	94	55,3	12	8...15	36	5,0	■	2,5	3 000	-20...+70	70 000 / 35 000	140 000	4	/39	
3412 NGHH	102	60,0	12	8...13,2	39	5,1	□	3,2	3 250	-20...+60	70 000 / 45 000	150 000	5	/2	
3412 NHH	102	60,0	12	8...13,2	39	5,1	■	2,9	3 250	-20...+60	70 000 / 45 000	150 000	5	/2	
3412 NHH-379	102	60,0	12	8...15	39	5,1	■	2,7	3 250	-20...+70	70 000 / 35 000	140 000	5		
3414 NGL	61	35,9	24	18...28	23	4,0	□	1,4	1 950	-20...+70	80 000 / 40 000	160 000	1		
3414 NL	61	35,9	24	18...28	23	4,0	■	1,4	1 950	-20...+70	80 000 / 40 000	160 000	1		
3414 NGM	72	42,4	24	18...28	28	4,3	□	1,8	2 300	-20...+70	75 000 / 37 500	150 000	2		
3414 NM	72	42,4	24	18...28	28	4,3	■	1,8	2 300	-20...+70	75 000 / 37 500	150 000	2		
3414 NG	84	49,4	24	18...28	32	4,7	□	2,3	2 700	-20...+70	70 000 / 35 000	140 000	3		
3414 N	84	49,4	24	18...28	32	4,7	■	2,3	2 700	-20...+70	70 000 / 35 000	140 000	3	/2	
3414 NGH	94	55,3	24	18...26	36	5,0	□	3,0	3 000	-20...+70	70 000 / 35 000	140 000	4	/2	
3414 NH	94	55,3	24	18...26	36	5,0	■	3,0	3 000	-20...+70	70 000 / 35 000	140 000	4		
3414 NGHH	102	60,0	24	18...26	39	5,1	□	3,2	3 250	-20...+70	70 000 / 35 000	140 000	5	/2	
3414 NGHH-389	102	60,0	24	18...28	39	5,1	□	3,2	3 250	-20...+70	70 000 / 35 000	140 000	5		
3414 NHH	102	60,0	24	18...26	39	5,1	■	2,7	3 250	-20...+70	70 000 / 35 000	140 000	5	/39	
3414 NHH-386	102	60,0	24	18...28	39	5,1	■	2,7	3 250	-20...+70	70 000 / 35 000	140 000	5		
3418 N	84	49,4	48	36...56	32	4,7	■	2,4	2 700	-20...+70	70 000 / 35 000	140 000	3		

Other 48 VDC models on request.



X-ON Electronics

Largest Supplier of Electrical and Electronic Components

Click to view similar products for [DC Fans](#) category:

Click to view products by [ebm papst](#) manufacturer:

Other Similar products are found below :

[614R](#) [AUB0612L](#) [AFB0948HH-S687](#) [G2E085-AA05-10](#) [4318/12T](#) [AUB0912H-F00](#) [3412N/2ME](#) [W2G110-AM39-01](#) [8412GLV](#) [8412NGL-12](#) [6448-384](#) [4114N/17-251](#) [622/2N](#) [4318/2R](#) [4412F/2D](#) [424JMU](#) [4414/2HH](#) [4112 N/12GL-175](#) [9GA0912F402](#) [9GA0812B20011](#) [AFB0824SHBAV1](#) [DV5214/2NP-230](#) [9GA0912H4021](#) [THC1548MGDJJ](#) [GFB1224SHG](#) [8500NU](#) [DC0401012V2B-3T0](#) [3254J/2HPU](#) [9A0612G402](#) [AD5012HB-C71](#) [AD5012MB-C71](#) [EF92251S3-1000U-A99](#) [PF80251B3-000U-Q99](#) [026758A](#) [3258J/2H3PU????](#) [412/2H](#) [4292](#) [MF60152V1-1000U-G99](#) [3610KL-04W-B50-D00](#) [EE92251B1-000U-G99](#) [8218J/2H4P](#) [4318NN](#) [4318NH3](#) [4314NL](#) [4312NM](#) [MITX-CORE-HTSNK](#) [ME45101V1-000U-A99](#) [OD1238-24HBIP55](#) [4312NHH](#) [612N/2GH](#)