

Max. 89 m³/h

AC axial fans

□ 92 x 38 mm



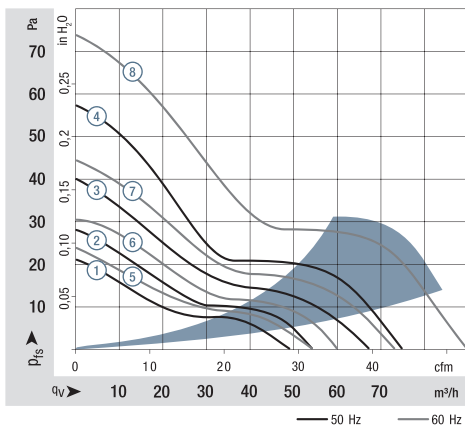
- **Material:** Housing: Die-cast aluminum
Impeller: painted sheet steel
- **Direction of air flow:** Exhaust over struts
- **Direction of rotation:** Clockwise, looking towards rotor
- **Connection:** Via 2 single wires
grounding lug for M4 x 8
- **Weight:** 420 g
- **Note:** Please note our new ACmaxx series.
With identical mounting dimensions and voltages, this series achieves greater energy efficiency. See page 189.
- **Possible special versions:** (See page 12)
 - Moisture protection
 - Salt spray protection
 - Degree of protection: IP 54 / IP 65

Series 3000

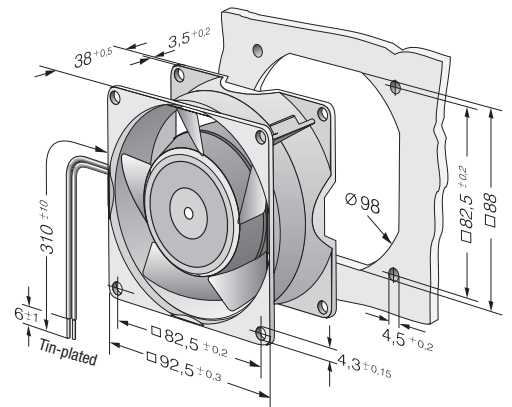
Nominal data	Air flow		Nominal voltage	Frequency	Sound pressure level	Sound power level	Sinter sleeve bearings Ball bearings	Power consumption	Nominal speed	Temperature range	Service life L ₁₀		Curve
	m ³ /h	cfm									VAC	Hz	
3850	49	28.8	230	50	24	3.7	□	9.0	1 750	-10...+75	60 000 / 27 500	①	
3856	54	31.8	230	50	26	3.9	■	9.0	1 950	-40...+90	60 000 / 20 000	②	
3550	67	39.4	230	50	32	4.4	□	8.5	2 300	-10...+80	60 000 / 25 000	③	
3556	67	39.4	230	50	33	4.5	■	8.5	2 400	-40...+90	60 000 / 20 000	③	
3650	75	44.1	230	50	36	4.8	□	12.0	2 650	-10...+55	52 500 / 37 500	④	
3656	75	44.1	230	50	37	4.9	■	12.0	2 700	-40...+75	52 500 / 22 500	④	
3800	54	31.8	115	60	26	3.9	□	8.0	1 900	-10...+80	62 500 / 25 000	⑤	
3806	60	35.3	115	60	29	4.2	■	8.0	2 150	-40...+95	62 500 / 17 500	⑥	
3500	73	43.0	115	60	35	4.6	□	8.0	2 500	-10...+80	62 500 / 25 000	⑦	
3506	73	43.0	115	60	36	4.7	■	8.0	2 600	-40...+95	62 500 / 17 500	⑦	
3600	89	52.4	115	60	41	5.1	□	11.0	3 100	-10...+65	55 000 / 30 000	⑧	
3606	89	52.4	115	60	42	5.2	■	11.0	3 200	-40...+75	55 000 / 25 000	⑧	

Subject to change

Fan type	Length "L"	Connection wires
With sleeve bearings	310 mm long	AWG 18, TR 64
With ball bearings	310 mm long	AWG 18



Air performance measured according to: ISO 5801. Installation category A, without contact protection. Noise: Total sound power level L_{WA} ISO 103002 measured on a hemisphere with a radius of 2 m. Sound pressure level L_{pA} measured at 1 m distance from fan axis. The values given are applicable only under the specified measuring conditions and may differ depending on the installation conditions. In the event of deviation from the standard configuration, the parameters must be checked after installation! For detailed information see http://www.ebmpapst.com/general_conditions



X-ON Electronics

Largest Supplier of Electrical and Electronic Components

Click to view similar products for [AC Fans](#) category:

Click to view products by [ebm papst](#) manufacturer:

Other Similar products are found below :

[G9225S05B2-FSR](#) [A2D200-AA04-41](#) [A2E165-AA17-01](#) [AD0912HB-A7BGL](#) [1500-FAN-01](#) [25.001.1856.0](#) [25.320.1353.1](#) [25.320.4753.1](#)
[25.320.5453.1](#) [25.330.1353.1](#) [25.330.4853.1](#) [25.330.5153.1](#) [25.330.5353.1](#) [25.340.1053.1](#) [25.350.5253.0](#) [25.600.4053.0](#) [272DL-2LP11-000](#)
[A2D210-AB10-05](#) [A2D240-AA02-02](#) [A2D250-AE22-06](#) [A2E170-AF23-01](#) [F1238S24BT-FSR](#) [23241-3](#) [25.000.1856.0](#) [25.000.2056.0](#)
[25.010.1856.0](#) [25.332.2453.1](#) [25.340.0453.1](#) [25.345.5353.0](#) [281DS-2LP11-000B](#) [281DY-1LP14-000B](#) [298DM-2LP11-000](#) [298DS-2LP11-](#)
[000A](#) [344DY-1LP11-000](#) [39.703.0253.0](#) [USTF1203224VHW](#) [3G2C7MC224](#) [W2S130-AA03-43](#) [W2S130-AA25-97](#) [8856N](#) [A4D315-AC20-](#)
[02](#) [A2E170-AF23-11](#) [W2S130-AB03-09](#) [8550A](#) [8560N](#) [8880A](#) [S4D300-AR34-17](#) [S2E250-AE31-08](#) [AD0405HB-G73\(9T\)](#) [CENT-2000-](#)
[FFTM](#)