

Max. 70 m³/h

AC axial fans

□ 92 x 25 mm



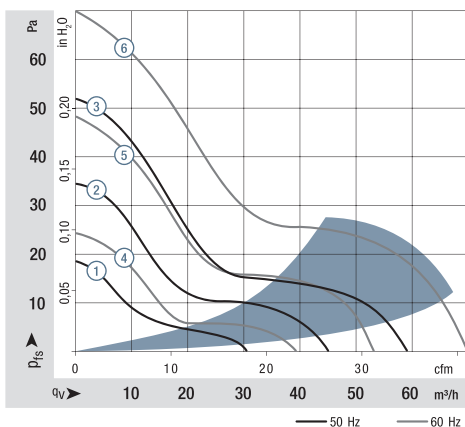
- **Material:** Housing: Die-cast aluminum
Impeller: Mineral-reinforced PA plastic
- **Direction of air flow:** Exhaust over struts
- **Direction of rotation:** Counterclockwise, looking towards rotor
- **Connection:** Via 2 flat plugs 2.8 x 0.5 mm grounding lug for M4
- **Weight:** 280 g
- **Possible special versions:** (See page 12)
- Moisture protection

- **Note:**
Please note our new ACmaxx series.
With identical mounting dimensions and voltages, this series achieves greater energy efficiency.
See page 189.

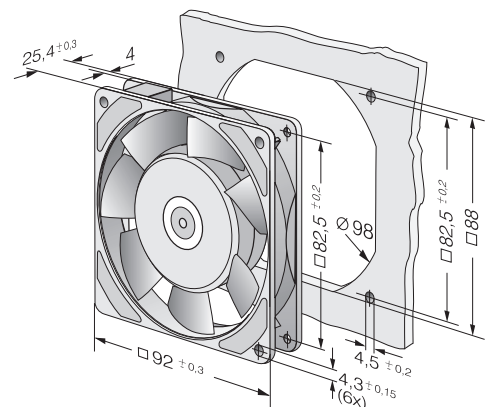
Series 3900

Nominal data	Air flow		Nominal voltage	Frequency	Sound pressure level	Sound power level	Sinter sleeve bearings Ball bearings	Power consumption	Nominal speed	Temperature range	Service life L ₁₀		Curve
	m ³ /h	cfm									VAC	Hz	
3950 L	31	18.2	230	50	24	3.8	□	6.0	1 550	-10...+80	70 000 / 27 500		①
3956 L	31	18.2	230	50	24	3.8	■	6.0	1 550	-40...+80	70 000 / 27 500		①
3950 M	45	26.5	230	50	29	4.2	□	6.0	2 150	-10...+80	70 000 / 27 500		②
3956 M	45	26.5	230	50	29	4.2	■	6.0	2 150	-40...+80	70 000 / 27 500		②
3950	59	34.7	230	50	35	4.7	□	11.0	2 650	-20...+80	55 000 / 20 000		③
3956	59	34.7	230	50	35	4.7	■	11.0	2 650	-40...+80	55 000 / 20 000		③
3900 L	39	23.0	115	60	27	4.0	□	5.0	1 850	-10...+80	70 000 / 27 500		④
3906 L	39	23.0	115	60	27	4.0	■	5.0	1 850	-40...+80	70 000 / 27 500		④
3900 M	53	31.2	115	60	34	4.6	□	5.0	2 600	-10...+80	70 000 / 27 500		⑤
3906 M	53	31.2	115	60	34	4.6	■	5.0	2 600	-40...+80	70 000 / 27 500		⑤
3900	70	41.2	115	60	40	5.1	□	9.0	3 150	-20...+80	60 000 / 22 500		⑥
3906	70	41.2	115	60	40	5.1	■	9.0	3 150	-40...+80	60 000 / 22 500		⑥

Subject to change



Air performance measured according to: ISO 5801.
Installation category A, without contact protection.
Noise: Total sound power level L_{WA} ISO 103002 measured on a hemisphere with a radius of 2 m.
Sound pressure level L_{pA} measured at 1 m distance from fan axis.
The values given are applicable only under the specified measuring conditions and may differ depending on the installation conditions.
In the event of deviation from the standard configuration, the parameters must be checked after installation!
For detailed information see <http://www.ebmpapst.com/general conditions>



X-ON Electronics

Largest Supplier of Electrical and Electronic Components

Click to view similar products for [AC Fans](#) category:

Click to view products by [ebm papst](#) manufacturer:

Other Similar products are found below :

[G9225S05B2-FSR](#) [A2D200-AA04-41](#) [A2E165-AA17-01](#) [AD0912HB-A7BGL](#) [1500-FAN-01](#) [25.001.1856.0](#) [25.320.1353.1](#) [25.320.4753.1](#)
[25.320.5453.1](#) [25.330.1353.1](#) [25.330.4853.1](#) [25.330.5153.1](#) [25.330.5353.1](#) [25.340.1053.1](#) [25.350.5253.0](#) [25.600.4053.0](#) [272DL-2LP11-000](#)
[A2D210-AB10-05](#) [A2D240-AA02-02](#) [A2D250-AE22-06](#) [A2E170-AF23-01](#) [F1238S24BT-FSR](#) [23241-3](#) [25.000.1856.0](#) [25.000.2056.0](#)
[25.010.1856.0](#) [25.332.2453.1](#) [25.340.0453.1](#) [25.345.5353.0](#) [281DS-2LP11-000B](#) [281DY-1LP14-000B](#) [298DM-2LP11-000](#) [298DS-2LP11-](#)
[000A](#) [344DY-1LP11-000](#) [39.703.0253.0](#) [USTF1203224VHW](#) [3G2C7MC224](#) [W2S130-AA03-43](#) [W2S130-AA25-97](#) [8856N](#) [A4D315-AC20-](#)
[02](#) [A2E170-AF23-11](#) [W2S130-AB03-09](#) [8550A](#) [8560N](#) [8880A](#) [S4D300-AR34-17](#) [S2E250-AE31-08](#) [AD0405HB-G73\(9T\)](#) [CENT-2000-](#)
[FFTM](#)