

4112 N/2H3 DC Axial Fan

08. Feb 2006

High performance DC Axial fan with electronically commutated external rotor motor. The Electronic commutation is completely integrated into the motor hub.



Features

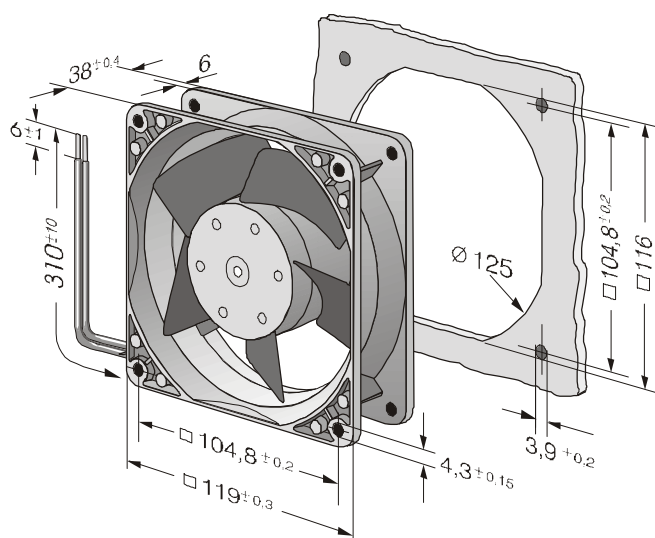
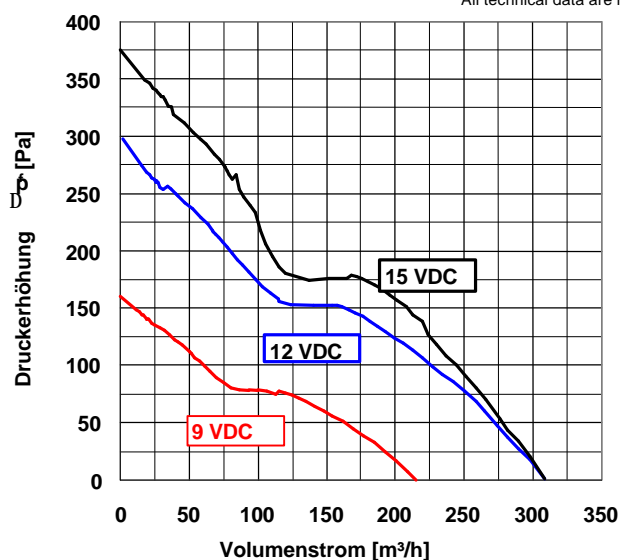
- Electronically protected against reverse polarity, overloading, and locking.
- Air intake over struts.
- Metal fan housing. Impeller of fibre-glass reinforced plastic PA
- Open collector Tacho Signal
- Electrical connection via 3 leads AWG 22 TR 64, 310mm long
Red = +12 VDC
Blue = GND
White = Tacho

General Data

Nominal voltage	V DC	12
Voltage range	V DC	9 - 15
Nominal speed	min ⁻¹	6000
Max. flow rate	m ³ /h	310
Max. flow rate	CFM	182,4
Max. pressure	Pa	300
Noise free air	dB(A)	65
Current consumption	mA	1800
Power consumption	W	21,6
Start-up current	mA	tbd
Permanent ambient temperature at max. voltage	°C	-20 ... +65
Service life L ₁₀ (40 °C)	h	65.000
Service life L ₁₀ (65 °C)	h	37.500
Fan housing / impeller	Metal / PA 6.6	
Bearing system	Ball bearings	
Approvals	CSA; UL; VDE applied for	
Mass	g	390

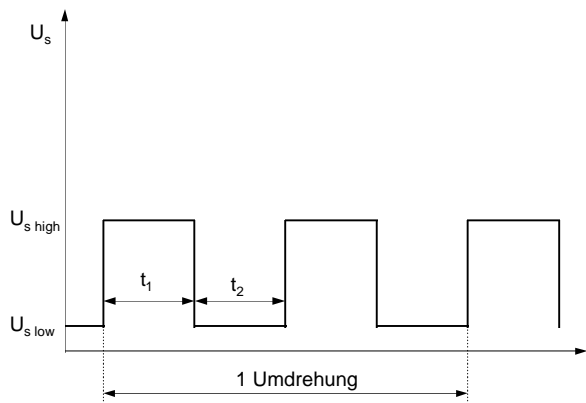
All technical data are mean values at nominal conditions.

Preliminary data – subject to change

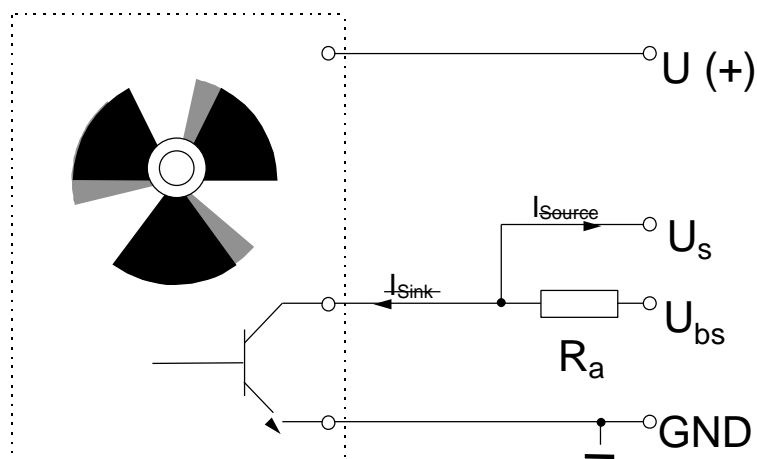


Tacho Signal /2

Output signal:



Connection Scheme:



U (+) = supply voltage (+)
 U_s = tachometer signal
 U_{bs} = supply voltage tachometer signal
 GND = ground (-)
 R_a = external pull up resistor

$$R_a = \frac{U_{bs} - U_{slow}}{I_{sink}}$$

Technical data:

Signal	2 pulse per revolution
U _{bs}	5...30 V DC
U _{s high}	5...30 V DC @ I _{source} = 0 mA
U _{s low}	= 0,4 V DC @ I _{sink} = 2 mA
I _{sink max}	= 4 mA
t ₁ / t ₂	0,8 - 1,2

X-ON Electronics

Largest Supplier of Electrical and Electronic Components

Click to view similar products for [DC Fans](#) category:

Click to view products by [ebm papst](#) manufacturer:

Other Similar products are found below :

[614R](#) [AUB0612L](#) [AFB0948HH-S687](#) [G2E085-AA05-10](#) [4318/12T](#) [AUB0912H-F00](#) [3412N/2ME](#) [W2G110-AM39-01](#) [8412GLV](#) [8412NGL-12](#) [6448-384](#) [4114N/17-251](#) [622/2N](#) [4318/2R](#) [4412F/2D](#) [424JMU](#) [4414/2HH](#) [4112 N/12GL-175](#) [9GA0912F402](#) [9GA0812B20011](#) [AFB0824SHBAV1](#) [DV5214/2NP-230](#) [9GA0912H4021](#) [THC1548MGDJJ](#) [GFB1224SHG](#) [8500NU](#) [DC0401012V2B-3T0](#) [3254J/2HPU](#) [9A0612G402](#) [AD5012HB-C71](#) [AD5012MB-C71](#) [EF92251S3-1000U-A99](#) [PF80251B3-000U-Q99](#) [026758A](#) [3258J/2H3PU????](#) [412/2H](#) [4292](#) [MF60152V1-1000U-G99](#) [3610KL-04W-B50-D00](#) [EE92251B1-000U-G99](#) [8218J/2H4P](#) [4318NN](#) [4318NH3](#) [4314NL](#) [4312NM](#) [MITX-CORE-HTSNK](#) [ME45101V1-000U-A99](#) [OD1238-24HBIP55](#) [4312NHH](#) [612N/2GH](#)