

**ebm-papst St. Georgen GmbH & Co. KG**

Hermann-Papst-Str. 1
 D-78112 St. Georgen
 Phone +49 (0) 7724 81-0
 Fax +49 (0) 7724 81-1309
 info2@de.ebmpapst.com
 www.ebmpapst.com

Nominal data

Type	4114 N/2H8P	
Nominal voltage	VDC	24
Nominal voltage range	VDC	16 .. 30
Speed (rpm)	min ⁻¹	11000
Power consumption	W	120
Min. ambient temperature	°C	-20
Max. ambient temperature	°C	75
Air flow	m ³ /h	570
Sound power level	B	8.9
Sound pressure level	dB(A)	78

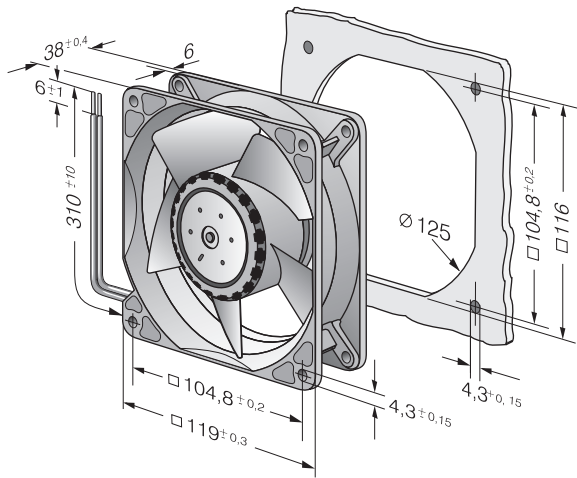
ml = Max. load · me = Max. efficiency · fa = Free air · cs = Customer specification · ce = Customer equipment
 Subject to change



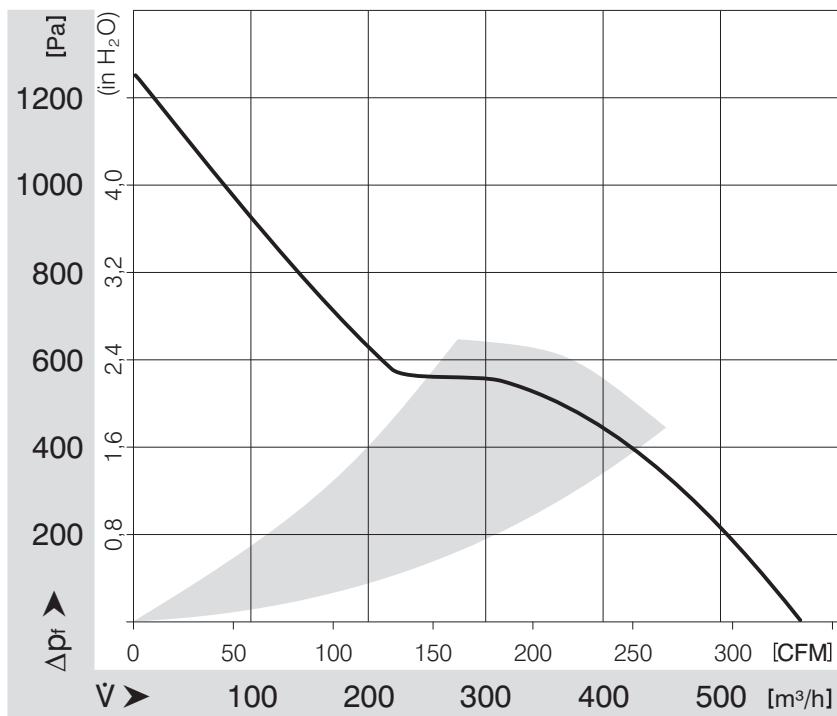
Technical description

General description	Power consumption when wide open; these values may be considerably higher at the operating point.
Impeller material	Glass-fiber reinforced PA plastic
Weight	0.425 kg
Dimensions	119 x 119 x 38 mm
Housing material	Die-cast aluminum
Airflow direction	Intake over struts
Direction of rotation	Clockwise, viewed toward rotor
Storage	Ball bearing
Service life L10 at 40 °C	55000 h
Service life L10 at maximum temperature	22500 h
Cable	Leads AWG 20, sensor and control leads AWG 22, UL 1007, TR 64, stripped and tin-plated.
Motor protection	Protected against reverse polarity and blocked rotor.
Option	Other inputs and outputs

Product drawing



Curves: Air performance



X-ON Electronics

Largest Supplier of Electrical and Electronic Components

Click to view similar products for [ebm papst](#) manufacturer:

Other Similar products are found below :

[01505-4-6711](#) [02001-4-1021](#) [026758A](#) [03749-2-4039](#) [04013-2-4039](#) [07100-36](#) [07145-24](#) [09325G](#) [09415-2-4039](#) [09418-2-4039](#) [09490-2-4039](#) [09494-2-4039](#) [09496-2-4039](#) [09503-2-4039](#) [09532-2-4039](#) [09576-2-4013](#) [09609-2-4013](#) [100-00-0013](#) [10016-1-5170](#) [10017-1-5170](#) [10020-1-5170](#) [10021-1-5170](#) [10023-1-5170](#) [10024-1-5170](#) [10638-4-1040](#) [1247-4-6254](#) [1433-4-6711](#) [1434-4-6711](#) [1434-4-6711-1](#) [1434-4-6711-3](#) [1434-4-6711-80](#) [145185H](#) [1505-4-6711](#) [19112-2-4039](#) [19114-2-4039](#) [19115-2-4039](#) [19699-2-4039](#) [2001-4-1021](#) [20993.45098](#) [20999.45099](#) [2100-4-7320](#) [2101-4-7320](#) [2103-4-7320](#) [21487-1-0174](#) [21490-1-0174](#) [21490-1-0174A](#) [2151-4-7320](#) [2155-4-7320](#) [2156-4-7320](#) [2159-4-7320](#)