



DC axial fans

Series 4100 NU 119 x 119 x 38 mm



Highlights:

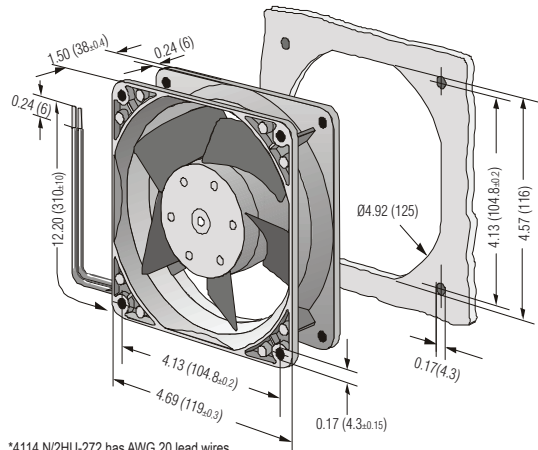
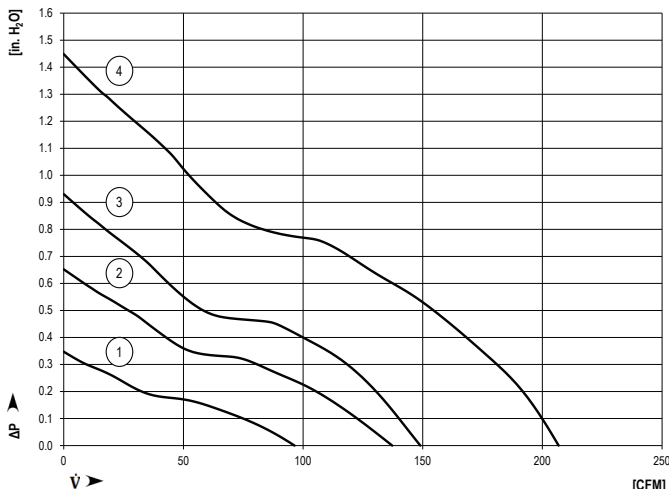
- Motor protection against reverse polarity and locking.
- Air intake over struts
- Connection via 310 mm strands AWG 22, TR 64, bared and tin-plated
- Ingress protection rating of IP68

Material: Housing: Die-cast aluminum
Impeller: Fiberglass-reinforced PA composite

Direction of rotation: Clockwise, seen on rotor

| Nominal Data | Air flow | Nominal voltage | Voltage range | Sound pressure level | Sound power level | Ball bearings | Power input | Speed | Temperature range | Mass | Ingress Protection Rating | UL Approval | Curves |
|-----------------|--------------|-----------------|---------------|----------------------|-------------------|---------------|-------------|-------|-------------------|------|---------------------------|-------------|--------|
| Type | CFM | VDC | VDC | dB(A) | Bel(A) | | Watts | RPM | °C | g | | | |
| 4114 NU | 106.0 | 24 | 12...29 | 48.5 | 5.7 | Yes | 5.6 | 3200 | -20...75 | 400 | IP68 | Yes | 1 |
| 4114 NHU-295 | 140.0 | 24 | 16...30 | 57.0 | 6.5 | Yes | 11.0 | 4400 | -20...55 | 400 | IP68 | Yes | 2 |
| 4114 N/2HU-272* | 140.0 | 24 | 12...25 | 57.0 | 6.5 | Yes | 11.0 | 4400 | -20...55 | 400 | IP68 | Yes | 2 |
| 4118 NHU-294 | 140.0 | 48 | 36...56 | 56.0 | 6.0 | Yes | 11.0 | 4400 | -20...55 | 400 | IP68 | Yes | 2 |
| 4114 NXHHU | 153.0 | 24 | 12...28 | 60.0 | 7.0 | Yes | 13.6 | 4900 | -20...55 | 400 | IP68 | Yes | 3 |
| 4118 N/2H4PU | 206.0 | 48 | 36...60 | 67.0 | 7.0 | Yes | 34.0 | 6800 | -20...65 | 400 | IP68 | Yes | 4 |

Curves



*4114 N/2HU-272 has AWG 20 lead wires

X-ON Electronics

Largest Supplier of Electrical and Electronic Components

Click to view similar products for [DC Fans](#) category:

Click to view products by [ebm papst](#) manufacturer:

Other Similar products are found below :

[614R](#) [AUB0612L](#) [AFB0948HH-S687](#) [G2E085-AA05-10](#) [4318/12T](#) [AUB0912H-F00](#) [3412N/2ME](#) [W2G110-AM39-01](#) [8412GLV](#) [8412NGL-12](#) [6448-384](#) [4114N/17-251](#) [622/2N](#) [4318/2R](#) [4412F/2D](#) [424JMU](#) [4414/2HH](#) [4112 N/12GL-175](#) [9GA0912F402](#) [9GA0812B20011](#)
[AFB0824SHBAV1](#) [DV5214/2NP-230](#) [9GA0912H4021](#) [THC1548MGDJJ](#) [GFB1224SHG](#) [8500NU](#) [DC0401012V2B-3T0](#) [3254J/2HPU](#)
[9A0612G402](#) [AD5012HB-C71](#) [AD5012MB-C71](#) [EF92251S3-1000U-A99](#) [PF80251B3-000U-Q99](#) [026758A](#) [3258J/2H3PU????](#) [412/2H](#) [4292](#)
[MF60152V1-1000U-G99](#) [3610KL-04W-B50-D00](#) [EE92251B1-000U-G99](#) [8218J/2H4P](#) [4318NN](#) [4318NH3](#) [4314NL](#) [4312NM](#) [MITX-CORE-HTSNK](#) [ME45101V1-000U-A99](#) [OD1238-24HBIP55](#) [4312NHH](#) [612N/2GH](#)