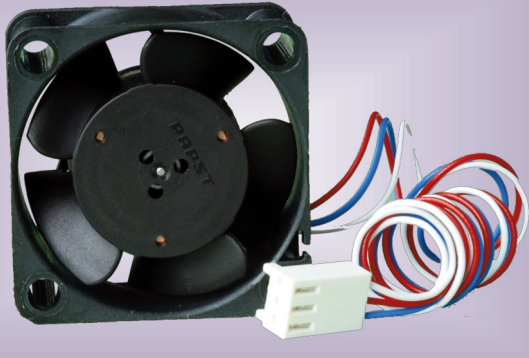


# 40mm Compact fan

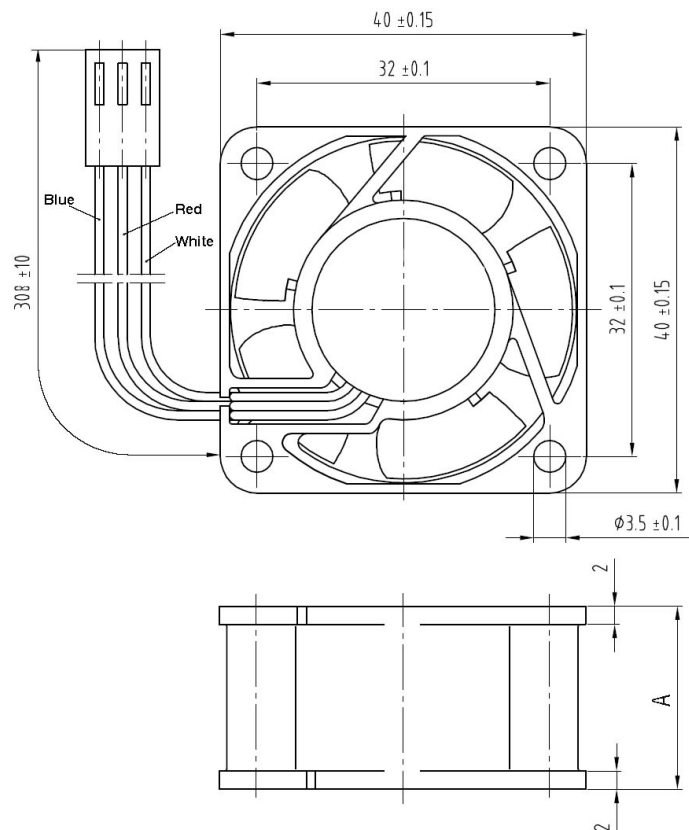


- With electronic protection against reverse polarity. The fan only operates when the polarity is correct. Impedance-protected against locked rotor and overloading.
- Fan of fibreglass reinforced plastic. PBT housing, PA impeller.
- Air exhaust over strut. Rotational direction CCW looking at rotor.
- Fitted with 3 pin molex connector (22-01-2035)
- Sensor signal for speed monitoring

Nominal data	Air flow @ free air	Air flow @ free air	Nominal voltage	Voltage range	Noise	Sintec-sleeve bearings	Power input	Nominal speed	Temperature range	Service life L <sup>10</sup> at 20°C / at 60°C	Dimension
	m <sup>3</sup> /h	CFM	VDC	VDC	dB(A)	Watt	min <sup>-1</sup>	°C	Hours	A	
<b>412/2-036</b>	10	5.9	12	10...14	18	Yes	0.9	6000	-20...+70	50,000 / 20,000	20
<b>412F/2H-038</b>	9	5.3	12	10...14	29	Yes	0.8	6000	-20...+70	45,000 / 15,000	10

subject to alterations

## Dimensions



ebm-papst UK Ltd, Chelmsford Business Park, Chelmsford, Essex, CM2 5EZ  
 +44 (0)1245 68555  
 www.ebmpapst.co.uk

**ebmpapst**

## X-ON Electronics

Largest Supplier of Electrical and Electronic Components

*Click to view similar products for [DC Fans](#) category:*

*Click to view products by [ebm papst](#) manufacturer:*

Other Similar products are found below :

[614R](#) [AUB0612L](#) [AFB0948HH-S687](#) [G2E085-AA05-10](#) [4318/12T](#) [AUB0912H-F00](#) [3412N/2ME](#) [W2G110-AM39-01](#) [8412GLV](#) [8412NGL-12](#) [6448-384](#) [4114N/17-251](#) [622/2N](#) [4318/2R](#) [4412F/2D](#) [424JMU](#) [4414/2HH](#) [4112 N/12GL-175](#) [9GA0912F402](#) [9GA0812B20011](#)  
[AFB0824SHBAV1](#) [DV5214/2NP-230](#) [9GA0912H4021](#) [THC1548MGDJJ](#) [GFB1224SHG](#) [8500NU](#) [DC0401012V2B-3T0](#) [7F.20.9.024.3100](#)  
[ASFP12391](#) [ASFP12392](#) [ASFP80372](#) [ASFP92391](#) [MF92251V3-1000U-G99](#) [3254J/2HPU](#) [9A0612G402](#) [AD5012HB-C71](#) [AD5012MB-C71](#)  
[ASFP84372](#) [ASFP64372](#) [026758A](#) [3258J/2H3PU????](#) [412/2H](#) [4292](#) [MF60152V1-1000U-G99](#) [3610KL-04W-B50-D00](#) [109P0412K3023](#)  
[EE92251B1-000U-F99](#) [8218J/2H4P](#) [PE60251B1-000U-G99](#) [PF60381B1-000U-S99](#)