

## 4114 N/2XH DC Axial Fan

## 4184 N/2XH DC Axial Fan

38mm flat axial fan for DC operation with very high power/performance. Driven by an electronically commutated external rotor motor. Electronic commutation system is integrated into the motor hub. Air flow and noise level can be controlled by varying the supply voltage range.



### Features

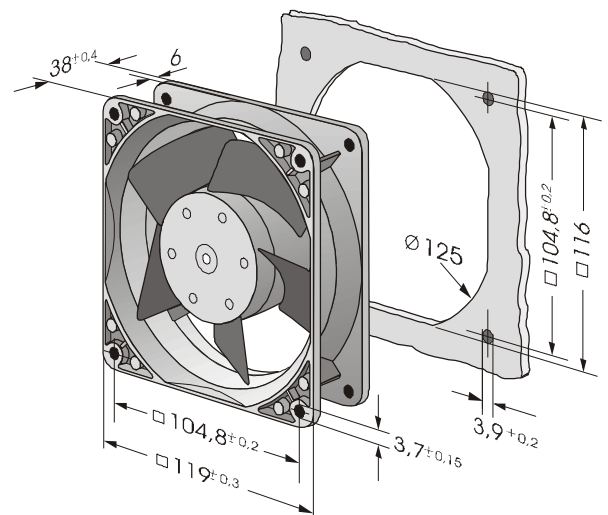
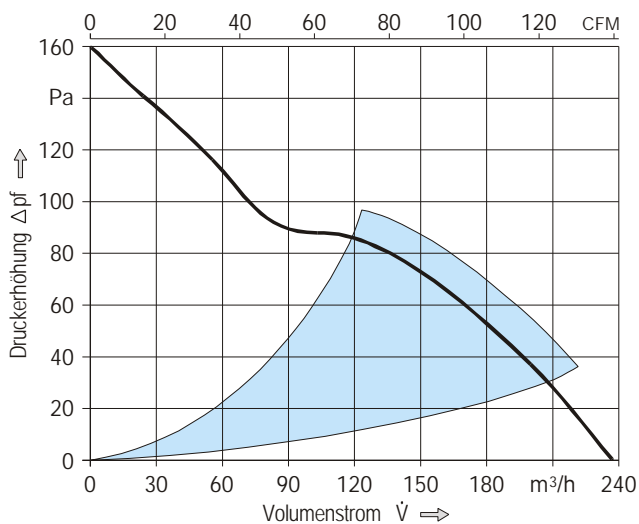
- Electronically protected against blocking and overloading.
- Electronical protection against reverse polarity.
- Extremely low EMI.
- Electrical connection  
4114 N/2XH: via leads  
4184 N/2XH: via 2 flat pins 2,8 x 0,5 mm and extra tach lead

### General Data

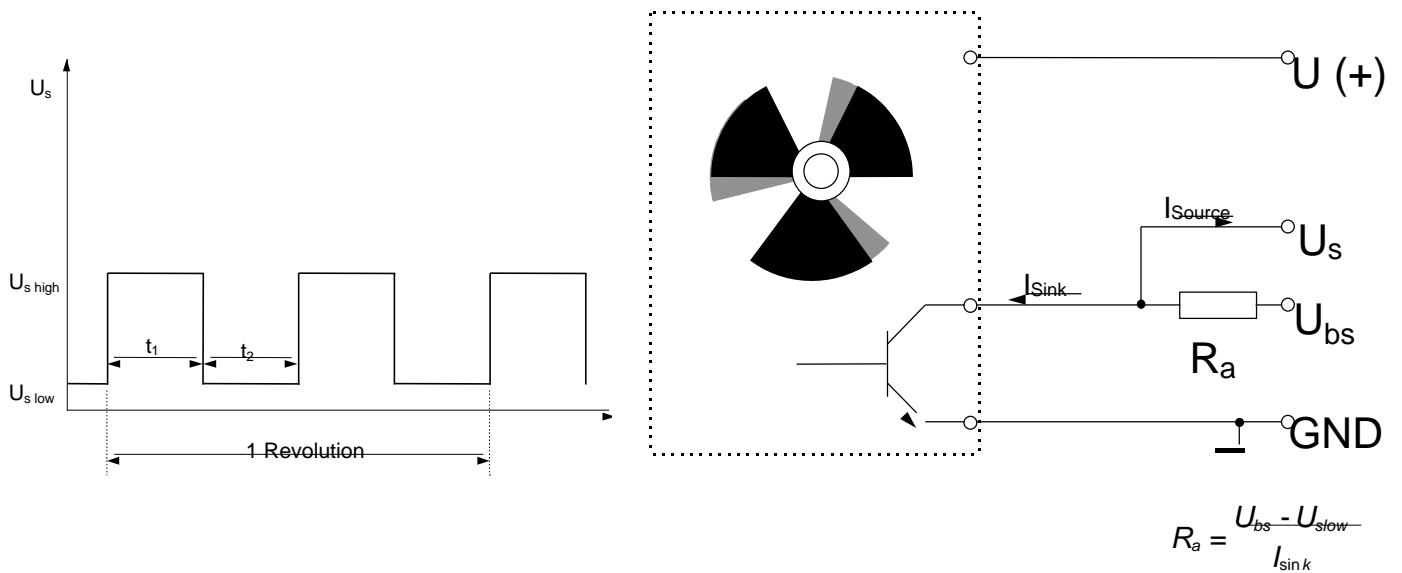
|                                  |                   |                |
|----------------------------------|-------------------|----------------|
| Nominal voltage                  | V DC              | 24             |
| Voltage range                    | V DC              | 12...25        |
| Nominal speed                    | min <sup>-1</sup> | 4400           |
| Max. flow rate                   | m <sup>3</sup> /h | 237            |
| Max. flow rate                   | CFM               | 139,5          |
| Noise free air                   | dB(A)             | 59             |
| Noise in optimum operating range | bels              | 6,5            |
| Current consumption              | mA                | 460            |
| Power consumption                | W                 | 11             |
| Perm. ambient temperature        | °C                | -30 ... +55    |
| at max. voltage                  |                   |                |
| Service life (55 °C)             | h                 | 52 500         |
| Service life (40 °C)             | h                 | 70 000         |
| Fan housing / impeller           |                   | Metal / PA 6.6 |
| Bearing system                   |                   | Ball bearings  |
| Mass                             | g                 | 390            |

All data are average values at nominal voltage.

Subject to technical change.



## Sensor Signal /2



|                        |  |
|------------------------|--|
| Output                 | 2 pulses per revolution                              |
| $U_{bs}$               | 0,4...30 V DC  |
| $U_{s \text{ high}}$   | 0,4...30 V DC at $I_{source} = 0 \text{ mA}$         |
| $U_{s \text{ low}}$    | $\leq 0,4 \text{ V DC}$ at $I_{sink} = 2 \text{ mA}$ |
| $I_{sink \text{ max}}$ | $= 4 \text{ mA}$                                     |
| $t_1 / t_2$            | 0,8...1,2  |

## X-ON Electronics

Largest Supplier of Electrical and Electronic Components

*Click to view similar products for [DC Fans](#) category:*

*Click to view products by [ebm papst](#) manufacturer:*

Other Similar products are found below :

[614R](#) [AUB0612L](#) [AFB0948HH-S687](#) [G2E085-AA05-10](#) [4318/12T](#) [AUB0912H-F00](#) [3412N/2ME](#) [W2G110-AM39-01](#) [8412GLV](#) [8412NGL-12](#) [6448-384](#) [4114N/17-251](#) [622/2N](#) [4318/2R](#) [4412F/2D](#) [424JMU](#) [4414/2HH](#) [4112 N/12GL-175](#) [9GA0912F402](#) [9GA0812B20011](#)  
[AFB0824SHBAV1](#) [DV5214/2NP-230](#) [9GA0912H4021](#) [THC1548MGDJJ](#) [GFB1224SHG](#) [8500NU](#) [DC0401012V2B-3T0](#) [7F.20.9.024.3100](#)  
[ASFP12391](#) [ASFP12392](#) [ASFP80372](#) [ASFP92391](#) [MF92251V3-1000U-G99](#) [3254J/2HPU](#) [9A0612G402](#) [AD5012HB-C71](#) [AD5012MB-C71](#)  
[ASFP84372](#) [ASFP64372](#) [026758A](#) [3258J/2H3PU????](#) [412/2H](#) [4292](#) [MF60152V1-1000U-G99](#) [3610KL-04W-B50-D00](#) [109P0412K3023](#)  
[EE92251B1-000U-F99](#) [8218J/2H4P](#) [PE60251B1-000U-G99](#) [PF60381B1-000U-S99](#)