

4114 N/2XH DC Axial Fan

4184 N/2XH DC Axial Fan

38mm flat axial fan for DC operation with very high power/performance. Driven by an electronically commutated external rotor motor. Electronic commutation system is integrated into the motor hub. Air flow and noise level can be controlled by varying the supply voltage range.



Features

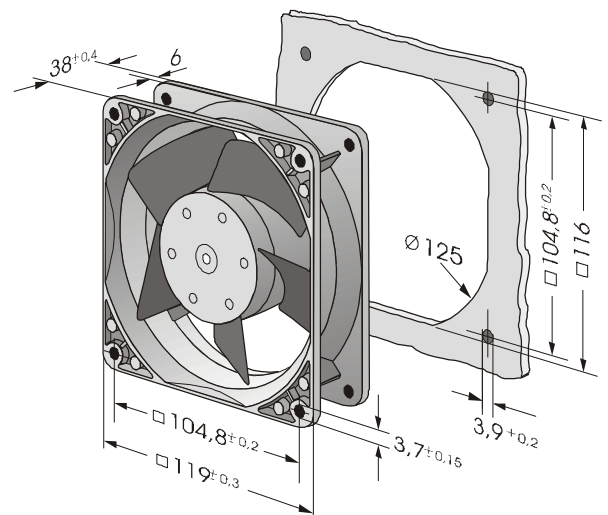
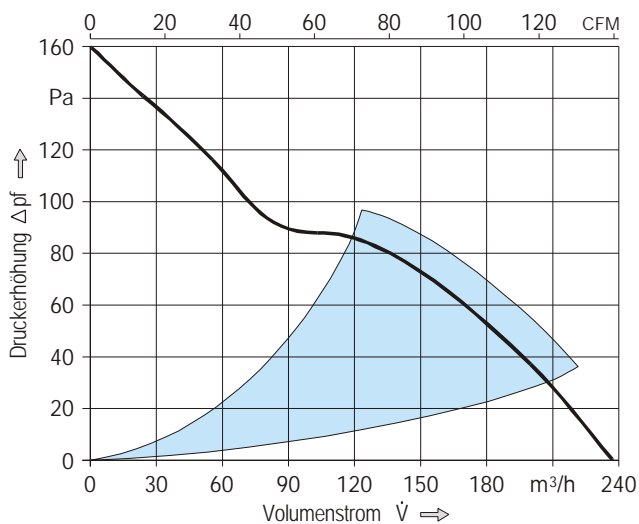
- Electronically protected against blocking and overloading.
- Electronical protection against reverse polarity.
- Extremely low EMI.
- Electrical connection
4114 N/2XH: via leads
4184 N/2XH: via 2 flat pins 2,8 x 0,5 mm and extra tach lead

General Data

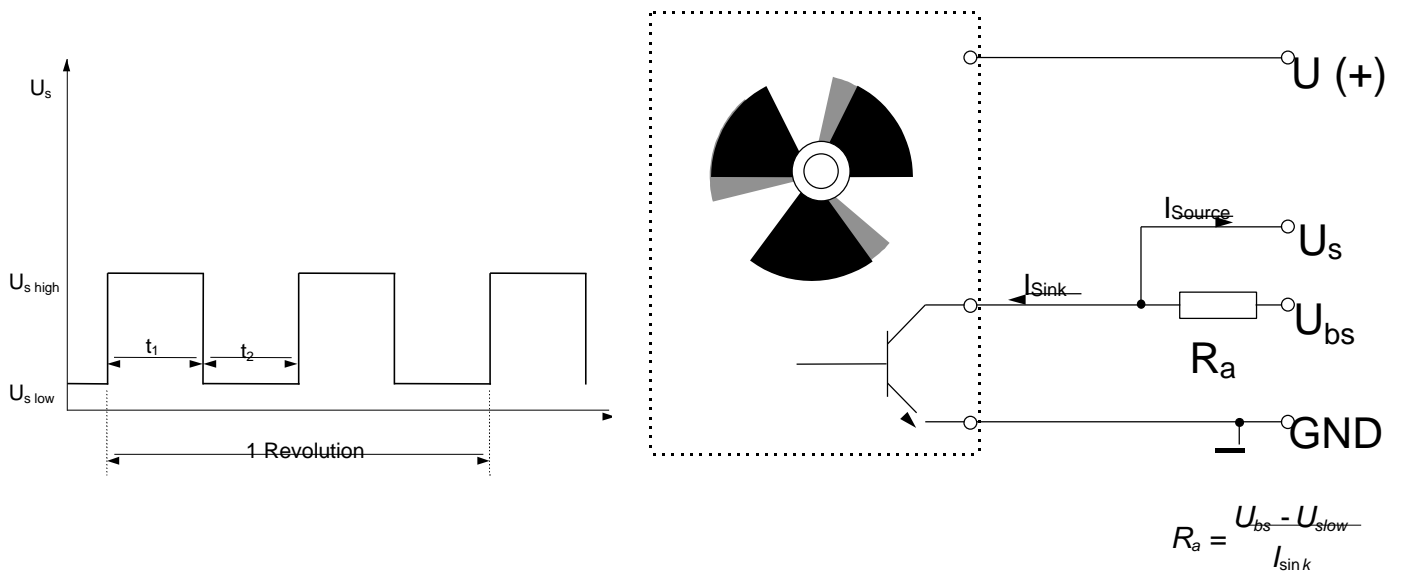
Nominal voltage	V DC	24
Voltage range	V DC	12...25
Nominal speed	min ⁻¹	4400
Max. flow rate	m ³ /h	237
Max. flow rate	CFM	139,5
Noise free air	dB(A)	59
Noise in optimum operating range	bels	6,5
Current consumption	mA	460
Power consumption	W	11
Perm. ambient temperature	°C	-30 ... +55
at max. voltage		
Service life (55 °C)	h	52 500
Service life (40 °C)	h	70 000
Fan housing / impeller	Metal / PA 6.6	
Bearing system	Ball bearings	
Mass	g	390

All data are average values at nominal voltage.

Subject to technical change.



Sensor Signal /2



Output	2 pulses per revolution
U_{bs}	0,4...30 V DC
$U_{s \text{ high}}$	0,4...30 V DC at $I_{source} = 0 \text{ mA}$
$U_{s \text{ low}}$	$\leq 0,4 \text{ V DC}$ at $I_{sink} = 2 \text{ mA}$
$I_{sink \text{ max}}$	= 4 mA
t_1 / t_2	0,8...1,2

X-ON Electronics

Largest Supplier of Electrical and Electronic Components

Click to view similar products for [DC Fans](#) category:

Click to view products by [ebm papst](#) manufacturer:

Other Similar products are found below :

[614R](#) [6424/2HP-210](#) [8312R](#) [DV4118/2NP-183](#) [AFB0948HH-S687](#) [PFB0824DHE-8B72](#) [G2E085-AA05-10](#) [RD20S-4/210660](#) [4318/12T](#)
[4418HH](#) [AUB0912H-F00](#) [3412N/2ME](#) [K2E225-RA92-09](#) [6222N](#) [3610KL-04W-B40-D00](#) [A-FLT84](#) [8412NGL-12](#) [4114N/12HHR-297](#)
[4656](#) [ZWR-903](#) [4112N12GL-175](#) [AFB1248HHE](#) [AFB1212LE-F00](#) [FAN-SCH-1](#) [EF92252S1-1000U-G99](#) [PF80252V1-1000U-G99](#)
[4114N/17-251](#) [6212NH](#) [622/2N](#) [712F-011](#) [8218J/2NP-181](#) [W1G180-AB47-15](#) [6318N/2H3PU](#) [6318HU](#) [424JMU](#) [PMD1206PTVX-A.U.GN](#)
[PF80251B2-000U-F99](#) [AD1224LB-A71GL](#) [9GA0924L4021](#) [9GA0924M4021](#) [9GA0924M4011](#) [9GA0824B20011](#) [9GA0812A2D0011](#)
[9GA0912M4D011](#) [9GA0924W4D01](#) [9GA0912F4021](#) [9GA0912F402](#) [9GA0912H4D011](#) [9GA0824L20021](#) [9GA0824L20011](#)
[9GA0812A2002](#)