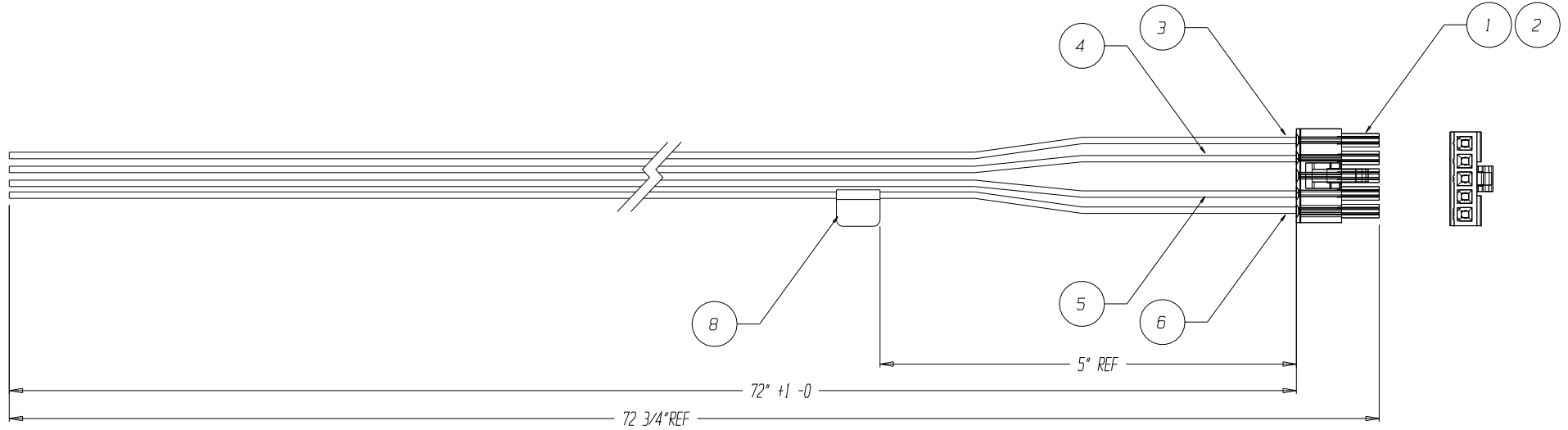


ebn-popst MFG. NOTES

1 LEAD DIMENSION IS AT FULL EXTENSION

REV.	EC #	REVISION DESCRIPTION	DATE	D.ENG.	CHECKER
001	2888	RELEASE TO PRODUCTION	06/08/00	BARB	MZ
002	6578	CHANGE 22AWG TO 18AWG. ADD PROD.ID LABEL	09/22/04	DTM	DW
003	10008	CHANGE LEAD LENGTH TO 72" (WAS 36")	08/05/16	DTM	DTM



LEAD PIN CALLOUT	
PIN 1	RED
PIN 2	WHITE
PIN 3	-----NC-----
PIN 4	YELLOW
PIN 5	BLUE

WIRE TIE USED TO BUNDLE WRAP

ITEM	QTY	PART NUMBER	DESCRIPTION
8	1	605-50-2659	PRODUCT ID LABEL
7	1	400-50-0003	WIRE TIE 4"
6	1	410-18-0011	BLUE AWG18 LUL1007
5	1	410-18-0015	YELLOW AWG18 LUL1007
4	1	410-18-0024	WHITE AWG18 LUL1007
3	1	410-18-0002	RED AWG18 LUL1007
2	4	405-32-0024	MOLEX 39-00-0059 TERM (REEL)
	REF	405-32-0007	MOLEX 39-00-0060 TERM (LOOSE)
1	1	405-34-0017	MOLEX 39-01-4051 CONNECTOR

ebn-popst Inc. DISCLOSURE THIS DOCUMENT IS THE PROPERTY OF ebn-popst Inc. ITS USE IS AUTHORIZED BY ebn-popst Inc. ONLY. ALL QUESTIONS MUST BE REFERRED TO ebn-popst Inc. PERSONNEL: DESIGN ENG., MFG.ENG., AND / OR PURCHASING. CAUTION: ANY PRINTED COPY IS UNCONTROLLED AND TO BE USED FOR REFERENCE ONLY. REFER TO ebn-popst In. CAD SYS. FOR VERIFICATION. Form No. 1073 Rev. H		MATERIAL: N/A FINISH: N/A IF APPLICABLE PLACE SECOND FINISH AND DESCRIPTION HERE ALL INNER BEND RADI = 1mm BOTTOM BEND UNLESS OTHERWISE STATED TOLERANCES, UNLESS OTHERWISE STATED: DECIMAL .XXX ± .020 HOLES .XXX ± .003 TOLERANCES FOR CNC FLAT .XXX EXCLUDING HOLE DIA. +/- .010 TOLERANCE .XX ± .030 ANGLES ± 1° REF	BEND DEDUCTION N/A COSMETICS PER ebn-popst SPEC-D-1 SEE CAD FOR DIMS. NOT SHOWN BREAK ALL SHARP EDGES ALL DIMENSIONS ARE IN INCHES	PART NO. 420-05-0275 TITLE DC POWER CONTROL HARNESS FIRST USED ON 420-05-0275 DESIGN ENG. DTM ORG. DATE 05/01/00 E# EA-0662	ebmpapst REVISION 003 SHEET 1 OF 1
---	--	--	--	--	--

X-ON Electronics

Largest Supplier of Electrical and Electronic Components

Click to view similar products for [Fan Accessories](#) category:

Click to view products by [ebm papst](#) manufacturer:

Other Similar products are found below :

[LZ31](#) [LZ32P-1](#) [63070-2-4013](#) [64442-1-7612](#) [71882-2-4053](#) [73816-2-3634](#) [854589-1](#) [95778-1-5171](#) [99485901](#) [1247-4-6254](#) [RF119](#) [2151-4-7320](#) [27453.32262](#) [95779-1-5171](#) [9614-2-4013](#) [99485906](#) [F92-B](#) [FG92-W2](#) [2170-4-7320](#) [27453.32241](#) [R88ACPU001M1](#) [R88ACPU001M2](#) [31570-2-4013](#) [LZ215](#) [LZ22-2](#) [LZ24-1](#) [LZ24B](#) [LZ30-9](#) [450-20-0021](#) [450-20-0025](#) [525-00-0009](#) [420-05-0276](#) [450-20-0017](#) [450-20-0020](#) [04.846.1353.0](#) [04.846.1453.0](#) [055032](#) [08121](#) [08188](#) [08195](#) [08196](#) [09576-2-4013](#) [54476-2-4013](#) [71883-2-4053](#) [52545-2-4037](#) [63071-2-4013](#) [52544-2-4037](#) [64445-1-7612](#) [66786-4-7320](#) [88601-2-2929](#)