

4200 Series

Tubeaxial

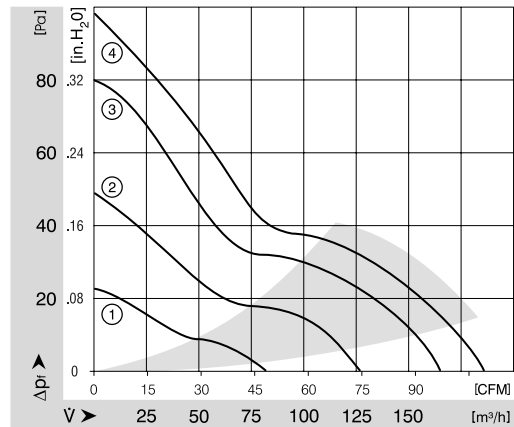
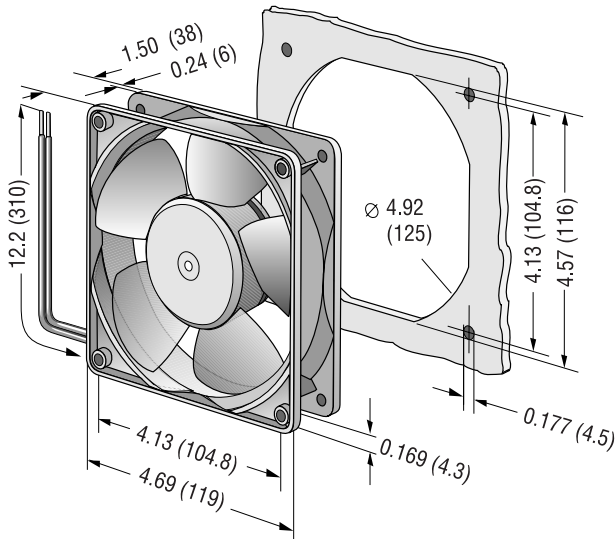
119x119x38mm



- DC fans with electronically commutated external rotor motor. Fully integrated commutation electronics.
- With electronic protection against reverse polarity, blocking and overloading by PTC-resistor; partially impedance protected.
- Mounting from either face using four 4.3 mm holes.
- Fan of fiberglass reinforced plastic. PBTP housing, PA impeller.
- Air exhaust over struts. Rotational direction CCW looking at rotor.
- Electrical connection via leads AWG 22, TR 64. Stripped and tinned ends.
- UL, CSA, VDE approvals on some models, please contact application engineering.

Part Number	Curve	CFM @ 0	VDC	Volt. Range	Power (W)	dBA	Max Amb. Temp C	Bearing Type	Features	Wgt. (lbs)
4212L	1	50.6	12	7 to 14.5	1.2	29	75	Ball	Leads	0.64
4212GM	2	74.7	12	7 to 14.5	2.2	38	75	Sintec	Leads	0.64
4212M	2	74.7	12	7 to 14.5	2.2	38	75	Ball	Leads	0.64
4212	3	97.1	12	7 to 14.5	4.3	45	75	Ball	Leads	0.64
4212/2	3	97.1	12	7 to 14.5	4.3	45	75	Ball	Leads	0.64
4212/12	3	97.1	12	7 to 14.5	4.3	45	75	Ball	Leads	0.64
4212H	4	108.3	12	7 to 14.5	5.3	49	65	Ball	Leads	0.64
<hr/>										
4214L	1	50.6	24	12 to 28	1.2	29	75	Ball	Leads	0.64
4214	3	97.1	24	12 to 28	4.3	45	75	Ball	Leads	0.64
4214G	3	97.1	24	12 to 28	4.3	45	75	Sintec	Leads	0.64
4214H	4	108.3	24	12 to 28	5.3	49	65	Ball	Leads	0.64
<hr/>										
4218	3	97.1	48	36 to 56	4.3	45	75	Ball	Leads	0.64
4218/2	3	97.1	48	36 to 56	4.3	45	75	Ball	Leads	0.64
4218H	4	108.3	48	36 to 56	5.6	49	65	Ball	Terminals	0.64

Terminal option available upon request.



X-ON Electronics

Largest Supplier of Electrical and Electronic Components

Click to view similar products for [DC Fans](#) category:

Click to view products by [ebm papst](#) manufacturer:

Other Similar products are found below :

[614R](#) [6424/2HP-210](#) [8312R](#) [DV4118/2NP-183](#) [AFB0948HH-S687](#) [PFB0824DHE-8B72](#) [G2E085-AA05-10](#) [RD20S-4/210660](#) [4318/12T](#)
[4418HH](#) [AUB0912H-F00](#) [3412N/2ME](#) [K2E225-RA92-09](#) [6222N](#) [3610KL-04W-B40-D00](#) [A-FLT84](#) [8412NGL-12](#) [4114N/12HHR-297](#)
[4656](#) [ZWR-903](#) [4112N12GL-175](#) [KD2406PKB2.\(2\).GN](#) [AFB1248HHE](#) [AFB1212LE-F00](#) [FAN-SCH-1](#) [EF92252S1-1000U-G99](#)
[PF80252V1-1000U-G99](#) [4114N/17-251](#) [6212NH](#) [622/2N](#) [712F-011](#) [8218J/2NP-181](#) [W1G180-AB47-15](#) [6318N/2H3PU](#) [6318HU](#) [424JMU](#)
[PMD1206PTVX-A.U.GN](#) [PF80251B2-000U-F99](#) [AD1224LB-A71GL](#) [9GA0924L4021](#) [9GA0924M4021](#) [9GA0924M4011](#) [9GA0824B20011](#)
[9GA0812A2D0011](#) [9GA0912M4D011](#) [9GA0924W4D01](#) [9GA0912F4021](#) [9GA0912F402](#) [9GA0912H4D011](#) [9GA0824L20021](#)
[9GA0824L20011](#)