

max. 204 m³/h

DC axial fans

□ 119 x 32 mm

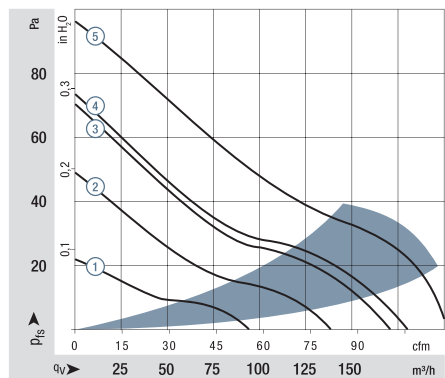


- **Material:** Housing: GRP¹⁾ (PBT)
Impeller: GRP¹⁾ (PA)
 - **Direction of air flow:** Exhaust over struts
 - **Direction of rotation:** Clockwise, seen on rotor
 - **Connection:** Via single wires AWG 22, TR 64
 - **Highlights:** Ball bearings and sleeve bearings available
 - **Mass:** 220 g
- **Possible special versions:** (See chapter DC fans - specials)
 - Speed signal
 - Go- / NoGo-alarm
 - Alarm with limit speed
 - External temperature sensor
 - Internal temperature sensor
 - PWM control input
 - Analog control input
 - Humidity protection
 - Salt fog protection
 - Degree of protection: IP 54 / IP 68

1) Fibreglass-reinforced plastic

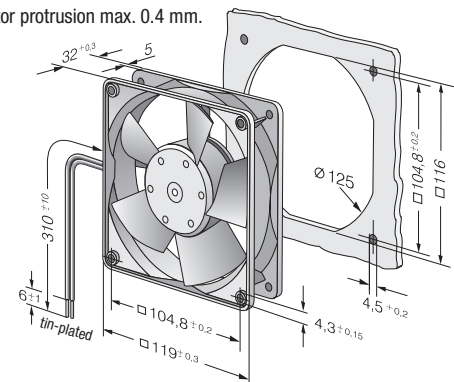
Series 4300														
Nominal data	Air flow		Nominal voltage	Voltage range	Sound pressure level	Sound power level	Sinter sleeve bearings Ball bearings	Input power	Nominal speed	Temperature range	Service life L ₁₀ (40 °C) eIm-papst Standard	Service life L ₁₀ (T _{max}) eIm-papst Standard	Life expectancy L ₁₀ IPC (40 °C, see page 17)	Curve
	m ³ /h	cfm												
4312 GL	95	56	12	6...15	30	4,3	□	1,2	1 550	-20...+75	80 000 / 35 000	135 000	135 000	①
4312 L	95	56	12	6...15	30	4,3	■	1,2	1 550	-20...+75	80 000 / 35 000	135 000	135 000	①
4312 GM	140	82	12	6...15	39	5,3	□	3,1	2 300	-20...+75	70 000 / 30 000	117 500	117 500	②
4312 M	140	82	12	6...15	39	5,3	■	3,1	2 300	-20...+75	70 000 / 30 000	117 500	117 500	②
4312 G	170	100	12	6...15	45	5,8	□	5,0	2 800	-20...+70	62 500 / 30 000	105 000	105 000	③
4312	170	100	12	6...15	45	5,8	■	5,0	2 800	-20...+70	62 500 / 30 000	105 000	105 000	③
4312-179	204	120	12	6...13,2	51	6,4	■	9,4	3 400	-20...+65	47 500 / 27 500	80 000	80 000	⑤
4314 L	95	56	24	12...28	30	4,3	■	1,2	1 550	-20...+75	80 000 / 35 000	135 000	135 000	①
4314 M	140	82	24	12...28	39	5,3	■	2,8	2 300	-20...+75	70 000 / 30 000	117 500	117 500	②
4314 G	170	100	24	12...28	45	5,8	□	4,7	2 800	-20...+75	62 500 / 27 500	105 000	105 000	③
4314	170	100	24	12...28	45	5,8	■	5,0	2 800	-20...+75	62 500 / 27 500	105 000	105 000	③
4314-147	180	106	24	12...28	47	6,1	■	4,7	3 000	-20...+75	57 500 / 25 000	80 000	80 000	④
4314-180	204	120	24	12...26	51	6,4	■	8,5	3 400	-20...+70	45 000 / 22 500	75 000	75 000	⑤
4318 M	140	82	48	36...56	39	5,3	■	3,6	2 300	-20...+75	70 000 / 30 000	117 500	117 500	②
4318	170	100	48	36...53	45	5,8	■	5,1	2 800	-20...+75	62 500 / 27 500	105 000	105 000	③

Subject to alterations



Air performance measured as per: ISO 5801, installation category A, without accidental contact.
Noise: Total sound power level L_{WA} ISO 103002 measured on half-sphere of 2 m;
Sound pressure level L_{pA} measured at 1 m distance to fan axis.
The acoustic values are only valid for the described measurement set-up and may vary depending on the installation situation.
In case of any deviation to the standard setup, the values have to be checked and reviewed once installed or fitted.
For detailed information see http://www.ebmpapst.com/general_conditions

Rotor protrusion max. 0.4 mm.



X-ON Electronics

Largest Supplier of Electrical and Electronic Components

Click to view similar products for [DC Fans](#) category:

Click to view products by [ebm papst](#) manufacturer:

Other Similar products are found below :

[614R](#) [AUB0612L](#) [AFB0948HH-S687](#) [G2E085-AA05-10](#) [4318/12T](#) [AUB0912H-F00](#) [3412N/2ME](#) [W2G110-AM39-01](#) [8412GLV](#) [8412NGL-12](#) [6448-384](#) [4114N/17-251](#) [622/2N](#) [4318/2R](#) [4412F/2D](#) [424JMU](#) [4414/2HH](#) [4112 N/12GL-175](#) [9GA0912F402](#) [9GA0812B20011](#) [AFB0824SHBAV1](#) [DV5214/2NP-230](#) [9GA0912H4021](#) [THC1548MGDJJ](#) [GFB1224SHG](#) [8500NU](#) [DC0401012V2B-3T0](#) [3254J/2HPU](#) [9A0612G402](#) [AD5012HB-C71](#) [AD5012MB-C71](#) [EF92251S3-1000U-A99](#) [PF80251B3-000U-Q99](#) [026758A](#) [3258J/2H3PU????](#) [412/2H](#) [4292](#) [MF60152V1-1000U-G99](#) [3610KL-04W-B50-D00](#) [EE92251B1-000U-G99](#) [8218J/2H4P](#) [4318NN](#) [4318NH3](#) [4314NL](#) [4312NM](#) [MITX-CORE-HTSNK](#) [ME45101V1-000U-A99](#) [OD1238-24HBIP55](#) [4312NHH](#) [612N/2GH](#)