

Max. 204 m<sup>3</sup>/h

# DC axial fans

□ 119 x 32 mm

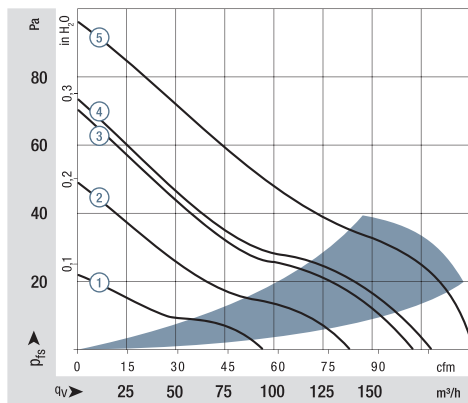


- **Material:** Housing: GRP<sup>1)</sup> (PBT)  
Impeller: GRP<sup>1)</sup> (PA)
  - **Direction of air flow:** Exhaust over struts
  - **Direction of rotation:** Clockwise, looking towards rotor
  - **Connection:** Via single wires AWG 22, TR 64
  - **Highlights:** Ball bearings and sleeve bearings available
  - **Weight:** 220 g
- **Possible special versions:** (See chapter DC fans - specials)
    - Speed signal
    - Go / NoGo alarm
    - Alarm with speed limit
    - External temperature sensor
    - Internal temperature sensor
    - PWM control input
    - Analog control input
    - Moisture protection
    - Salt spray protection
    - Degree of protection: IP 54 / IP 68

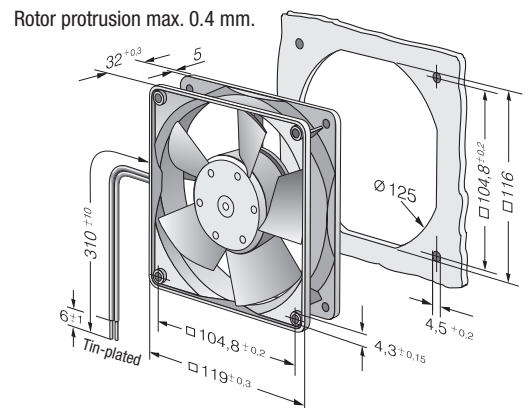
1) Fiberglass-reinforced plastic

Series 4300																										
Nominal data	Air flow		Nominal voltage		Voltage range		Sound pressure level		Sound power level		Sintec sleeve bearings Ball bearings		Power consumption		Nominal speed		Temperature range		Service life L <sub>10</sub> (40 °C) ebm-papst standard		Service life L <sub>10</sub> (T <sub>max</sub> ) ebm-papst standard		Life expectancy L <sub>10</sub> IPC (40 °C) see page 17		Curve	
	Type	m <sup>3</sup> /h	cfm	VDC	VDC	dB(A)	Bel(A)	□ / ■	Watts	rpm <sup>-1</sup>	°C	Hours	Hours	Hours	Hours	Hours	Hours	Hours	Hours	Hours	Hours	Hours	Hours	Hours	Hours	Hours
4312 GL	95	56	12	6...15	30	4.3	□	1.2	1 550	-20...+75	80 000 / 35 000	135 000	①													
4312 L	95	56	12	6...15	30	4.3	■	1.2	1 550	-20...+75	80 000 / 35 000	135 000	①													
4312 GM	140	82	12	6...15	39	5.3	□	3.1	2 300	-20...+75	70 000 / 30 000	117 500	②													
4312 M	140	82	12	6...15	39	5.3	■	3.1	2 300	-20...+75	70 000 / 30 000	117 500	②													
4312 G	170	100	12	6...15	45	5.8	□	5.0	2 800	-20...+70	62 500 / 30 000	105 000	③													
4312	170	100	12	6...15	45	5.8	■	5.0	2 800	-20...+70	62 500 / 30 000	105 000	③													
4312-179	204	120	12	6...13.2	51	6.4	■	9.4	3 400	-20...+65	47 500 / 27 500	80 000	⑤													
4314 L	95	56	24	12...28	30	4.3	■	1.2	1 550	-20...+75	80 000 / 35 000	135 000	①													
4314 M	140	82	24	12...28	39	5.3	■	2.8	2 300	-20...+75	70 000 / 30 000	117 500	②													
4314 G	170	100	24	12...28	45	5.8	□	4.7	2 800	-20...+75	62 500 / 27 500	105 000	③													
4314	170	100	24	12...28	45	5.8	■	5.0	2 800	-20...+75	62 500 / 27 500	105 000	③													
4314-147	180	106	24	12...28	47	6.1	■	4.7	3 000	-20...+75	57 500 / 25 000	80 000	④													
4314-180	204	120	24	12...26	51	6.4	■	8.5	3 400	-20...+70	45 000 / 22 500	75 000	⑤													
4318 M	140	82	48	36...56	39	5.3	■	3.6	2 300	-20...+75	70 000 / 30 000	117 500	②													
4318	170	100	48	36...53	45	5.8	■	5.1	2 800	-20...+75	62 500 / 27 500	105 000	③													

Subject to change



Air performance measured according to: ISO 5801.  
Installation category A, without contact protection.  
Noise: Total sound power level L<sub>WA</sub> ISO 103002 measured on a hemisphere with a radius of 2 m.  
Sound pressure level L<sub>pA</sub> measured at 1 m distance from fan axis.  
The values given are applicable only under the specified measuring conditions and may differ depending on the installation conditions.  
In the event of deviation from the standard configuration, the parameters must be checked after installation!  
For detailed information see <http://www.ebmpapst.com/general conditions>



## X-ON Electronics

Largest Supplier of Electrical and Electronic Components

*Click to view similar products for [DC Fans](#) category:*

*Click to view products by [ebm papst](#) manufacturer:*

Other Similar products are found below :

[614R](#) [AUB0612L](#) [AFB0948HH-S687](#) [G2E085-AA05-10](#) [4318/12T](#) [AUB0912H-F00](#) [3412N/2ME](#) [W2G110-AM39-01](#) [8412GLV](#) [8412NGL-12](#) [6448-384](#) [4114N/17-251](#) [622/2N](#) [4318/2R](#) [4412F/2D](#) [424JMU](#) [4414/2HH](#) [4112 N/12GL-175](#) [9GA0912F402](#) [9GA0812B20011](#)  
[AFB0824SHBAV1](#) [DV5214/2NP-230](#) [9GA0912H4021](#) [THC1548MGDJJ](#) [GFB1224SHG](#) [8500NU](#) [DC0401012V2B-3T0](#) [7F.20.9.024.3100](#)  
[ASFP12391](#) [ASFP12392](#) [ASFP80372](#) [ASFP92391](#) [MF92251V3-1000U-G99](#) [3254J/2HPU](#) [9A0612G402](#) [AD5012HB-C71](#) [AD5012MB-C71](#)  
[ASFP84372](#) [ASFP64372](#) [026758A](#) [3258J/2H3PU????](#) [412/2H](#) [4292](#) [MF60152V1-1000U-G99](#) [3610KL-04W-B50-D00](#) [109P0412K3023](#)  
[EE92251B1-000U-F99](#) [8218J/2H4P](#) [PE60251B1-000U-G99](#) [PF60381B1-000U-S99](#)