

4300 Series

Tubeaxial

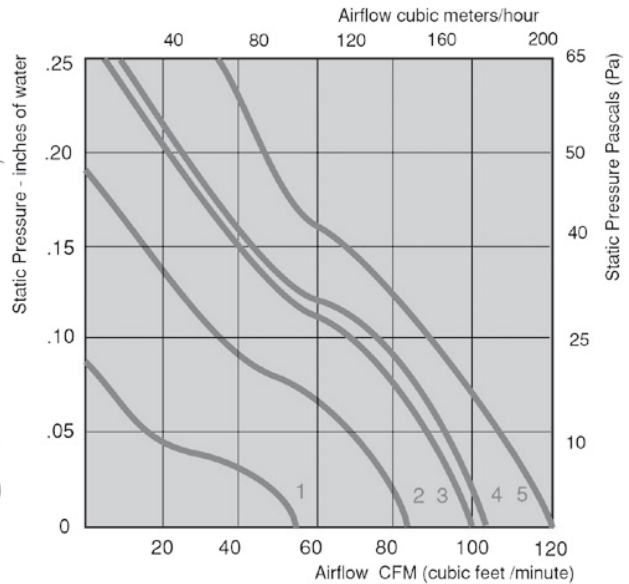
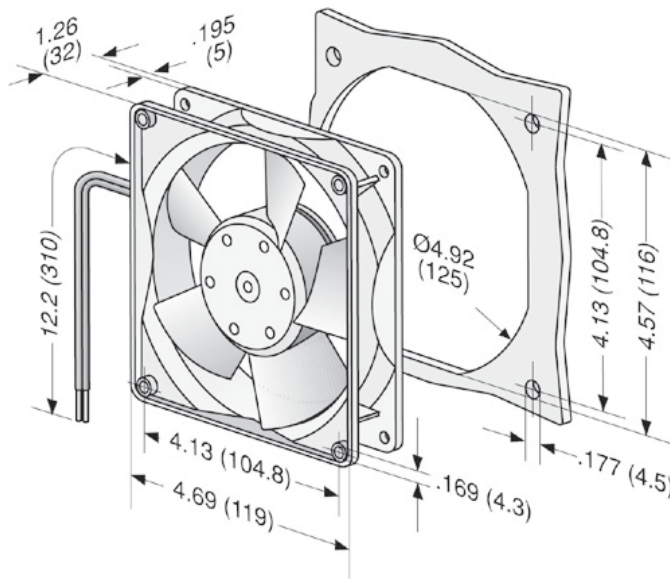
119x119x32mm



- DC fans with electronically commutated external rotor motor. Fully integrated commutation electronics.
- With electronic protection against reverse polarity, blocking and overloading by PTC-resistor; partially impedance protected.
- Mounting from either face using four 4.3 mm holes.

- Fan of fiberglass reinforced plastic. PBTP housing, PA impeller.
- Air exhaust over struts. Rotational direction CW looking at rotor.
- Electrical connection via leads AWG 22, TR 64. Stripped and tinned ends.
- UL, CSA, VDE approvals on some models, please contact application engineering.

Part Number	Curve	CFM @ 0	VDC	Volt. Range	Power (W)	dBA	Max Amb. Temp C	Bearing Type	Features	Wgt. (lbs)
4312GL	1	56	12	6 to 15	1.2	30	75	Sintec	Leads	0.5
4312L	1	56	12	6 to 15	1.2	30	75	Ball	Leads	0.5
4312LS	1	56	12	6 to 15	1.2	30	75	Ball	Leads	0.5
4392L	1	56	12	6 to 15	1.2	30	75	Ball	Terminals	0.5
4312GM	2	82	12	6 to 15	2.6	39	75	Sintec	Leads	0.5
4312M	2	82	12	6 to 15	2.6	39	75	Ball	Leads	0.5
4312MS	2	82	12	6 to 15	2.6	39	75	Ball	Leads	0.5
4392M	2	82	12	6 to 15	2.6	39	75	Ball	Terminals	0.5
4312	3	100	12	6 to 15	5.0	45	75	Ball	Leads	0.5
4312G	3	100	12	6 to 15	5.0	45	75	Sintec	Leads	0.5
4312S	3	100	12	6 to 15	5.0	45	75	Ball	Leads	0.5
4392	3	100	12	6 to 15	5.0	45	75	Ball	Terminals	0.5
4312-143	4	106	12	6 to 15	5.8	47	75	Ball	Leads	0.5
4312-179	5	120	12	6 to 13.2	8.5	51	75	Ball	Leads	0.5
4314L	1	56	24	12 to 28	1.2	30	75	Ball	Leads	0.5



ebmpapst

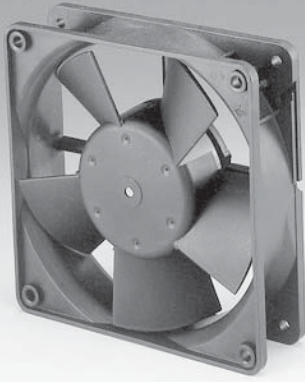
e-mail: sales@us.ebmpapst.com · TEL: 860-674-1515 · FAX: 860-674-8536

ebm-papst Inc., 100 Hyde Road, Farmington, CT 06034 USA

ebm-papst Inc., 2004 © ebm-papst Inc. reserves the right to change any specifications or data without notice

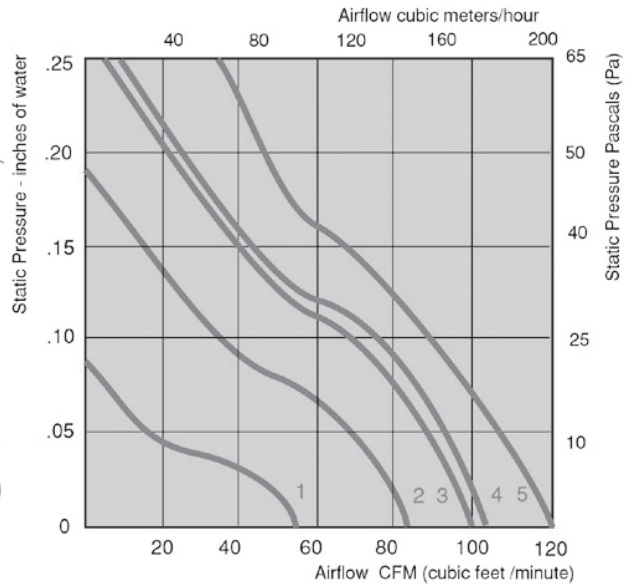
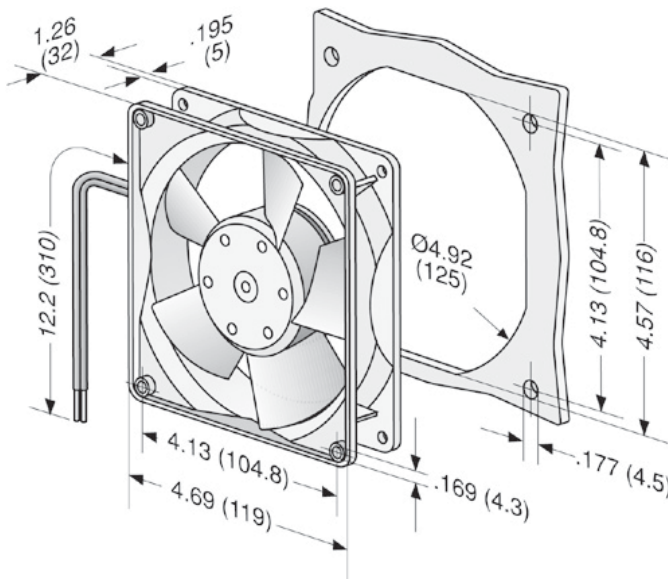
4300 Series cont. Tubeaxial

119x119x32mm



- DC fans with electronically commutated external rotor motor. Fully integrated commutation electronics.
- With electronic protection against reverse polarity, blocking and overloading by PTC-resistor; partially impedance protected.
- Mounting from either face using four 4.3 mm holes.
- Fan of fiberglass reinforced plastic. PBTP housing, PA impeller.
- Air exhaust over struts. Rotational direction CW looking at rotor.
- Electrical connection via leads AWG 22, TR 64. Stripped and tinned ends.
- UL, CSA, VDE approvals on some models, please contact application engineering.

Part Number	Curve	CFM @ 0	VDC	Volt. Range	Power (W)	dBA	Max Amb. Temp C	Bearing Type	Features	Wgt. (lbs)
4314LS	1	56	24	12 to 28	1.2	30	75	Ball	Leads	0.5
4394L	1	56	24	12 to 28	1.2	30	75	Ball	Terminals	0.5
4314M	2	82	24	12 to 28	2.6	39	75	Ball	Leads	0.5
4394M	2	82	24	12 to 28	2.6	39	75	Ball	Terminals	0.5
4314	3	100	24	12 to 28	5.0	45	75	Ball	Leads	0.5
4314/12	3	100	24	12 to 28	5.0	45	75	Ball	Leads	0.5
4314G	3	100	24	12 to 28	5.0	45	75	Sintec	Leads	0.5
4314S	3	100	24	12 to 28	5.0	45	75	Ball	Leads	0.5
4374	3	100	24	12 to 28	5.0	45	75	Ball	Terminals	0.5
4394	3	100	24	12 to 28	5.0	45	75	Ball	Terminals	0.5
4314-147	4	106	24	12 to 28	5.8	47	75	Ball	Leads	0.5
4314-180	5	120	24	12 to 26.5	9.5	51	75	Ball	Leads	0.5
<hr/>										
4318	3	100	48	36 to 53	5.0	45	75	Ball	Leads	0.5
4318/2	3	100	48	36 to 53	5.0	45	75	Ball	Leads	0.5
4398	3	100	48	36 to 53	5.0	45	75	Ball	Terminals	0.5



X-ON Electronics

Largest Supplier of Electrical and Electronic Components

Click to view similar products for [DC Fans](#) category:

Click to view products by [ebm papst](#) manufacturer:

Other Similar products are found below :

[614R](#) [AUB0612L](#) [AFB0948HH-S687](#) [G2E085-AA05-10](#) [4318/12T](#) [AUB0912H-F00](#) [3412N/2ME](#) [W2G110-AM39-01](#) [8412GLV](#) [8412NGL-12](#) [6448-384](#) [4114N/17-251](#) [622/2N](#) [4318/2R](#) [4412F/2D](#) [424JMU](#) [4414/2HH](#) [4112 N/12GL-175](#) [9GA0912F402](#) [9GA0812B20011](#) [AFB0824SHBAV1](#) [DV5214/2NP-230](#) [9GA0912H4021](#) [THC1548MGDJJ](#) [GFB1224SHG](#) [8500NU](#) [DC0401012V2B-3T0](#) [3254J/2HPU](#) [9A0612G402](#) [AD5012HB-C71](#) [AD5012MB-C71](#) [EF92251S3-1000U-A99](#) [PF80251B3-000U-Q99](#) [026758A](#) [3258J/2H3PU????](#) [412/2H](#) [4292](#) [MF60152V1-1000U-G99](#) [3610KL-04W-B50-D00](#) [EE92251B1-000U-G99](#) [8218J/2H4P](#) [4318NN](#) [4318NH3](#) [4314NL](#) [4312NM](#) [MITX-CORE-HTSNK](#) [ME45101V1-000U-A99](#) [OD1238-24HBIP55](#) [4312NHH](#) [612N/2GH](#)