

4382L - DC Axial Fan

Axial fan with high air flow and minimum noise level. The DC drive employs an electronically commutated external rotor motor with high efficiency. Drive electronics is completely integrated into the fan hub. The air flow and noise level can be controlled by varying the supply voltage.



Features

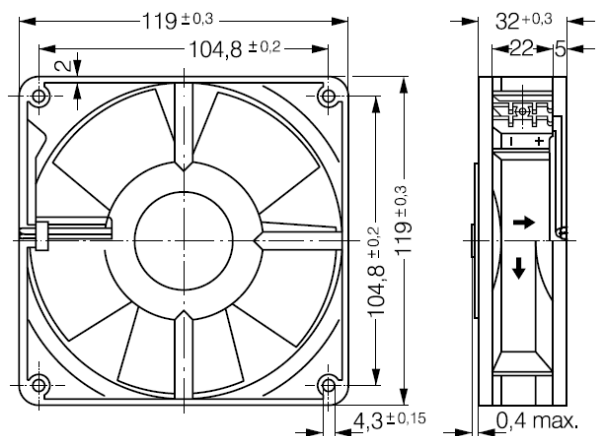
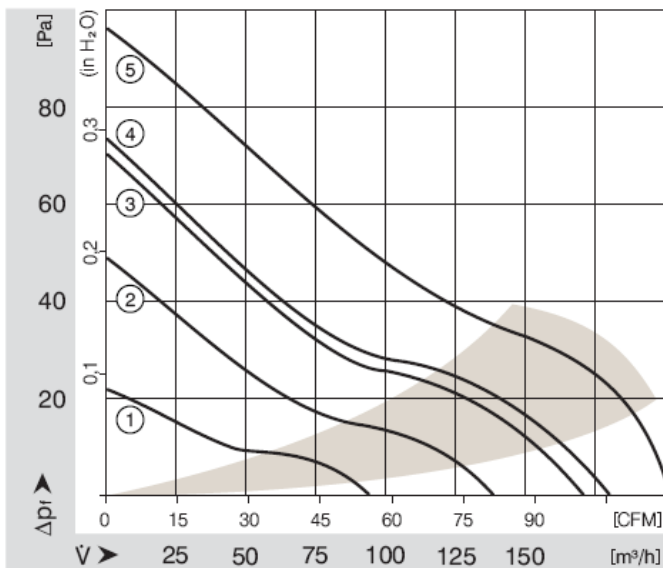
- Electronic circuitry is protected against overload, reverse polarity and locked rotor.
- Electrical connection via 2 flat pins 8x0,5mm on fan housing
- Direction of connection: against rotation

General Data

Nominal Voltage	V DC	12
Voltage range	V DC	6...15
Nominal speed	min ⁻¹	1550
Max. flow rate	m ³ /h	95
Max. flow rate	CFM	55,9
Noise free air	dB(A)	30
Noise in opt. Operating range	Bel	4,4
Current consumption	mA	100
Power consumption	W	1,2
Ambient temperature	°C	-20 ... +75
Storage temperature	°C	-40...+80
Service life (75 °C)	h	35.000
Service life (40 °C)	h	80.000
Approvals	UL, CSA, VDE	
Fan housing / impeller	PBTP / PA	
Bearing system	Ball bearings	
Mass	kg	0.220

All data are mean values at nominal voltage.

Subject to technical changes without notice.



X-ON Electronics

Largest Supplier of Electrical and Electronic Components

Click to view similar products for [DC Fans](#) category:

Click to view products by [ebm papst](#) manufacturer:

Other Similar products are found below :

[614R](#) [AUB0612L](#) [AFB0948HH-S687](#) [G2E085-AA05-10](#) [4318/12T](#) [AUB0912H-F00](#) [3412N/2ME](#) [W2G110-AM39-01](#) [8412GLV](#) [8412NGL-12](#) [6448-384](#) [4114N/17-251](#) [622/2N](#) [4318/2R](#) [4412F/2D](#) [424JMU](#) [4414/2HH](#) [4112 N/12GL-175](#) [9GA0912F402](#) [9GA0812B20011](#)
[AFB0824SHBAV1](#) [DV5214/2NP-230](#) [9GA0912H4021](#) [THC1548MGDJJ](#) [GFB1224SHG](#) [8500NU](#) [DC0401012V2B-3T0](#) [7F.20.9.024.3100](#)
[ASFP12391](#) [ASFP12392](#) [ASFP80372](#) [ASFP92391](#) [MF92251V3-1000U-G99](#) [3254J/2HPU](#) [9A0612G402](#) [AD5012HB-C71](#) [AD5012MB-C71](#)
[ASFP84372](#) [ASFP64372](#) [026758A](#) [3258J/2H3PU????](#) [412/2H](#) [4292](#) [MF60152V1-1000U-G99](#) [3610KL-04W-B50-D00](#) [109P0412K3023](#)
[EE92251B1-000U-F99](#) [8218J/2H4P](#) [PE60251B1-000U-G99](#) [PF60381B1-000U-S99](#)