

4300 Series

Tubeaxial

119x119x32mm



■ DC fans with electronically commutated external rotor motor. Fully integrated commutation electronics.

■ With electronic protection against reverse polarity, blocking and overloading by PTC-resistor; partially impedance protected.

■ Mounting from either face using four 4.3 mm holes.

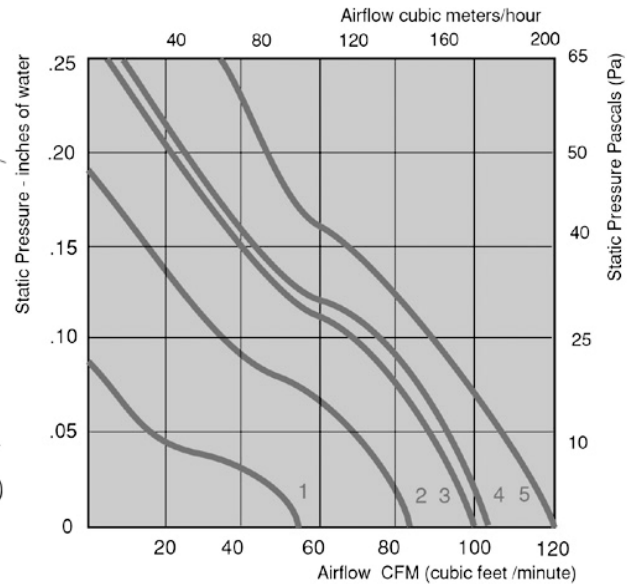
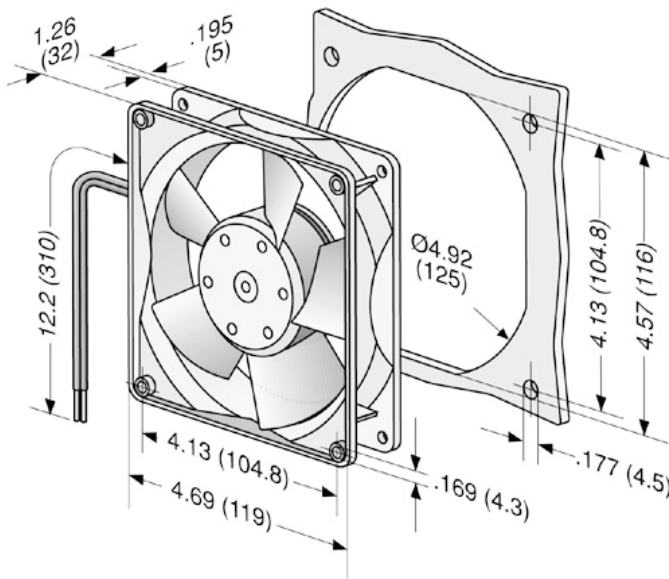
■ Fan of fiberglass reinforced plastic. PBTP housing, PA impeller.

■ Air exhaust over struts. Rotational direction CW looking at rotor.

■ Electrical connection via leads AWG 22, TR 64. Stripped and tinned ends.

■ UL, CSA, VDE approvals on some models, please contact application engineering.

| Part Number | CFM @ 0 | Curve | Volts | Voltage Range | Power (W) | dBA | Max Ambient Temp C | Wgt. (lbs) | Type Of Bearing | Features |
|-------------|---------|-------|-------|---------------|-----------|-----|--------------------|------------|-----------------|-----------|
| 4312GL | 56 | 1 | 12 | 6 to 15 | 1.2 | 30 | 75 | 0.5 | Sintec | Leads |
| 4312L | 56 | 1 | 12 | 6 to 15 | 1.2 | 30 | 75 | 0.5 | Ball | Leads |
| 4312LS | 56 | 1 | 12 | 6 to 15 | 1.2 | 30 | 75 | 0.5 | Ball | Leads |
| 4392L | 56 | 1 | 12 | 6 to 15 | 1.2 | 30 | 75 | 0.5 | Ball | Terminals |
| 4312GM | 82 | 2 | 12 | 6 to 15 | 2.6 | 39 | 75 | 0.5 | Sintec | Leads |
| 4312M | 82 | 2 | 12 | 6 to 15 | 2.6 | 39 | 75 | 0.5 | Ball | Leads |
| 4312MS | 82 | 2 | 12 | 6 to 15 | 2.6 | 39 | 75 | 0.5 | Ball | Leads |
| 4392M | 82 | 2 | 12 | 6 to 15 | 2.6 | 39 | 75 | 0.5 | Ball | Terminals |
| 4312 | 100 | 3 | 12 | 6 to 15 | 5.0 | 45 | 75 | 0.5 | Ball | Leads |
| 4312G | 100 | 3 | 12 | 6 to 15 | 5.0 | 45 | 75 | 0.5 | Sintec | Leads |
| 4312S | 100 | 3 | 12 | 6 to 15 | 5.0 | 45 | 75 | 0.5 | Ball | Leads |
| 4392 | 100 | 3 | 12 | 6 to 15 | 5.0 | 45 | 75 | 0.5 | Ball | Terminals |
| 4312-143 | 106 | 4 | 12 | 6 to 15 | 5.8 | 47 | 75 | 0.5 | Ball | Leads |
| 4312-179 | 120 | 5 | 12 | 6 to 13.2 | 8.5 | 51 | 75 | 0.5 | Ball | Leads |
| <hr/> | | | | | | | | | | |
| 4314L | 56 | 1 | 24 | 12 to 28 | 1.2 | 30 | 75 | 0.5 | Ball | Leads |



4300 Series

Tubeaxial

119x119x32mm



- DC fans with electronically commutated external rotor motor. Fully integrated commutation electronics.

- With electronic protection against reverse polarity, blocking and overloading by PTC-resistor; partially impedance protected.

- Mounting from either face using four 4.3 mm holes.

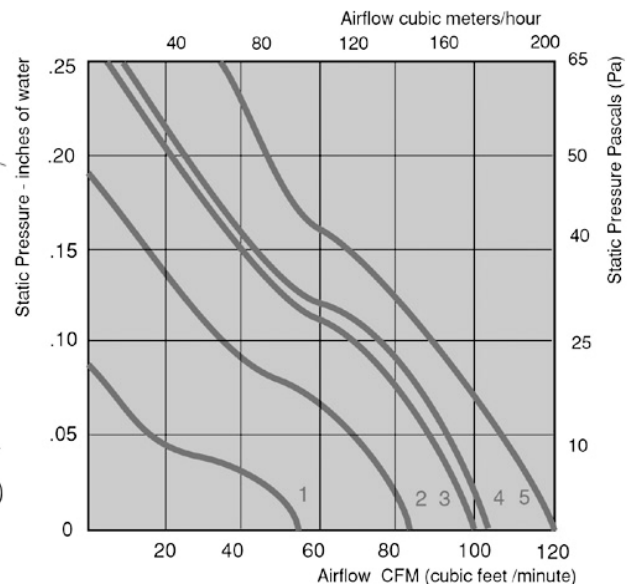
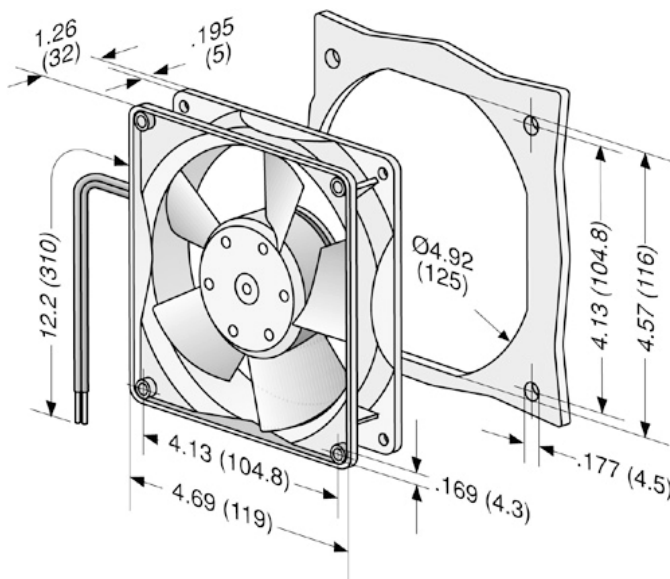
- Fan of fiberglass reinforced plastic. PBTP housing, PA impeller.

- Air exhaust over struts. Rotational direction CW looking at rotor.

- Electrical connection via leads AWG 22, TR 64. Stripped and tinned ends.

- UL, CSA, VDE approvals on some models, please contact application engineering.

| Part Number | CFM @ 0 | Curve | Volts | Voltage Range | Power (W) | dBA | Max Ambient Temp C | Wgt. (lbs) | Type Of Bearing | Features |
|-------------|---------|-------|-------|---------------|-----------|-----|--------------------|------------|-----------------|-----------|
| 4314LS | 56 | 1 | 24 | 12 to 28 | 1.2 | 30 | 75 | 0.5 | Ball | Leads |
| 4394L | 56 | 1 | 24 | 12 to 28 | 1.2 | 30 | 75 | 0.5 | Ball | Terminals |
| 4314M | 82 | 2 | 24 | 12 to 28 | 2.6 | 39 | 75 | 0.5 | Ball | Leads |
| 4394M | 82 | 2 | 24 | 12 to 28 | 2.6 | 39 | 75 | 0.5 | Ball | Terminals |
| 4314 | 100 | 3 | 24 | 12 to 28 | 5.0 | 45 | 75 | 0.5 | Ball | Leads |
| 4314/12 | 100 | 3 | 24 | 12 to 28 | 5.0 | 45 | 75 | 0.5 | Ball | Leads |
| 4314G | 100 | 3 | 24 | 12 to 28 | 5.0 | 45 | 75 | 0.5 | Sintec | Leads |
| 4314S | 100 | 3 | 24 | 12 to 28 | 5.0 | 45 | 75 | 0.5 | Ball | Leads |
| 4374 | 100 | 3 | 24 | 12 to 28 | 5.0 | 45 | 75 | 0.5 | Ball | Terminals |
| 4394 | 100 | 3 | 24 | 12 to 28 | 5.0 | 45 | 75 | 0.5 | Ball | Terminals |
| 4314-147 | 106 | 4 | 24 | 12 to 28 | 5.8 | 47 | 75 | 0.5 | Ball | Leads |
| 4314-180 | 120 | 5 | 24 | 12 to 26.5 | 9.5 | 51 | 75 | 0.5 | Ball | Leads |
| <hr/> | | | | | | | | | | |
| 4318 | 100 | 3 | 48 | 36 to 53 | 5.0 | 45 | 75 | 0.5 | Ball | Leads |
| 4318/2 | 100 | 3 | 48 | 36 to 53 | 5.0 | 45 | 75 | 0.5 | Ball | Leads |
| 4398 | 100 | 3 | 48 | 36 to 53 | 5.0 | 45 | 75 | 0.5 | Ball | Terminals |



X-ON Electronics

Largest Supplier of Electrical and Electronic Components

Click to view similar products for [DC Fans](#) category:

Click to view products by [ebm papst](#) manufacturer:

Other Similar products are found below :

[614R](#) [AUB0612L](#) [AFB0948HH-S687](#) [G2E085-AA05-10](#) [4318/12T](#) [AUB0912H-F00](#) [3412N/2ME](#) [W2G110-AM39-01](#) [8412GLV](#) [8412NGL-12](#) [6448-384](#) [4114N/17-251](#) [622/2N](#) [4318/2R](#) [4412F/2D](#) [424JMU](#) [4414/2HH](#) [4112 N/12GL-175](#) [9GA0912F402](#) [9GA0812B20011](#) [AFB0824SHBAV1](#) [DV5214/2NP-230](#) [9GA0912H4021](#) [THC1548MGDJJ](#) [GFB1224SHG](#) [8500NU](#) [DC0401012V2B-3T0](#) [3254J/2HPU](#) [9A0612G402](#) [AD5012HB-C71](#) [AD5012MB-C71](#) [EF92251S3-1000U-A99](#) [PF80251B3-000U-Q99](#) [026758A](#) [3258J/2H3PU????](#) [412/2H](#) [4292](#) [MF60152V1-1000U-G99](#) [3610KL-04W-B50-D00](#) [EE92251B1-000U-G99](#) [8218J/2H4P](#) [4318NN](#) [4318NH3](#) [4314NL](#) [4312NM](#) [MITX-CORE-HTSNK](#) [ME45101V1-000U-A99](#) [OD1238-24HBIP55](#) [4312NHH](#) [612N/2GH](#)