

4300 Series

Tubeaxial

119x119x32mm



- DC fans with electronically commutated external rotor motor. Fully integrated commutation electronics.

- With electronic protection against reverse polarity, blocking and overloading by PTC-resistor; partially impedance protected.

- Mounting from either face using four 4.3 mm holes.

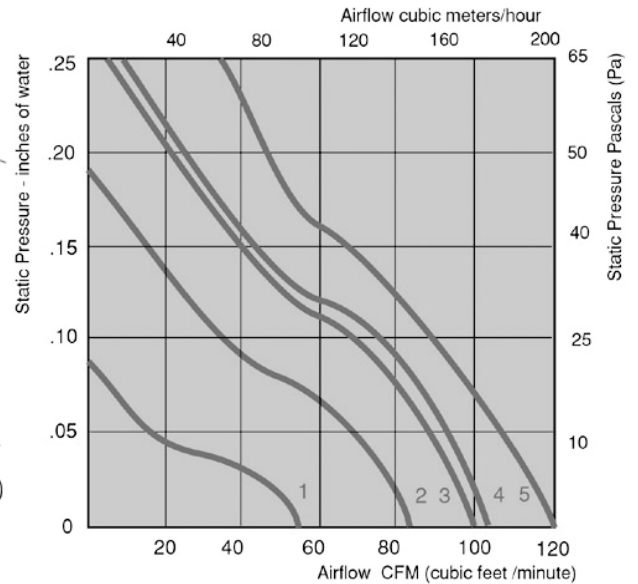
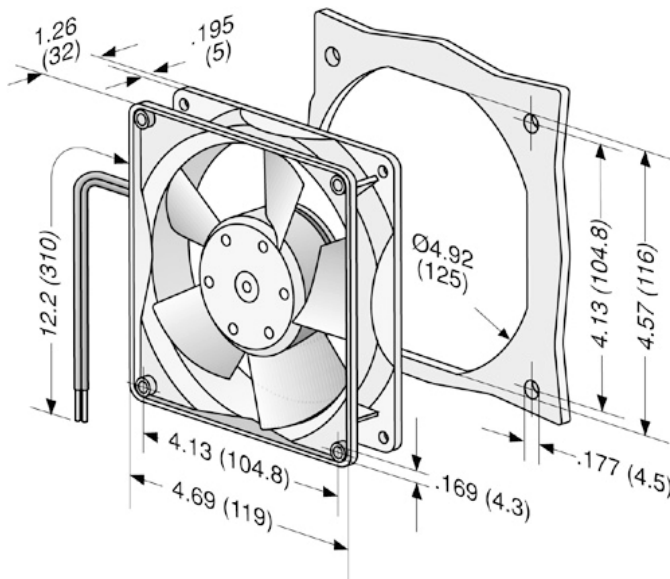
- Fan of fiberglass reinforced plastic. PBTP housing, PA impeller.

- Air exhaust over struts. Rotational direction CW looking at rotor.

- Electrical connection via leads AWG 22, TR 64. Stripped and tinned ends.

- UL, CSA, VDE approvals on some models, please contact application engineering.

Part Number	CFM @ 0	Curve	Volts	Voltage Range	Power (W)	dBA	Max Ambient Temp C	Wgt. (lbs)	Type Of Bearing	Features
4312GL	56	1	12	6 to 15	1.2	30	75	0.5	Sintec	Leads
4312L	56	1	12	6 to 15	1.2	30	75	0.5	Ball	Leads
4312LS	56	1	12	6 to 15	1.2	30	75	0.5	Ball	Leads
4392L	56	1	12	6 to 15	1.2	30	75	0.5	Ball	Terminals
4312GM	82	2	12	6 to 15	2.6	39	75	0.5	Sintec	Leads
4312M	82	2	12	6 to 15	2.6	39	75	0.5	Ball	Leads
4312MS	82	2	12	6 to 15	2.6	39	75	0.5	Ball	Leads
4392M	82	2	12	6 to 15	2.6	39	75	0.5	Ball	Terminals
4312	100	3	12	6 to 15	5.0	45	75	0.5	Ball	Leads
4312G	100	3	12	6 to 15	5.0	45	75	0.5	Sintec	Leads
4312S	100	3	12	6 to 15	5.0	45	75	0.5	Ball	Leads
4392	100	3	12	6 to 15	5.0	45	75	0.5	Ball	Terminals
4312-143	106	4	12	6 to 15	5.8	47	75	0.5	Ball	Leads
4312-179	120	5	12	6 to 13.2	8.5	51	75	0.5	Ball	Leads
<hr/>										
4314L	56	1	24	12 to 28	1.2	30	75	0.5	Ball	Leads



4300 Series

Tubeaxial

119x119x32mm



- DC fans with electronically commutated external rotor motor. Fully integrated commutation electronics.

- With electronic protection against reverse polarity, blocking and overloading by PTC-resistor; partially impedance protected.

- Mounting from either face using four 4.3 mm holes.

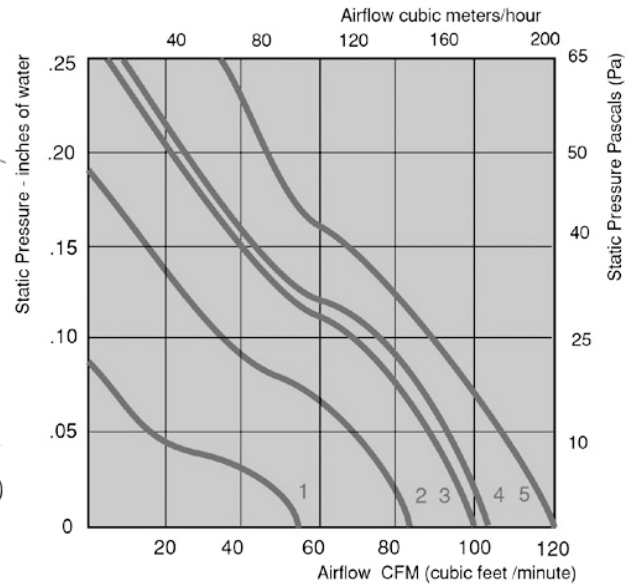
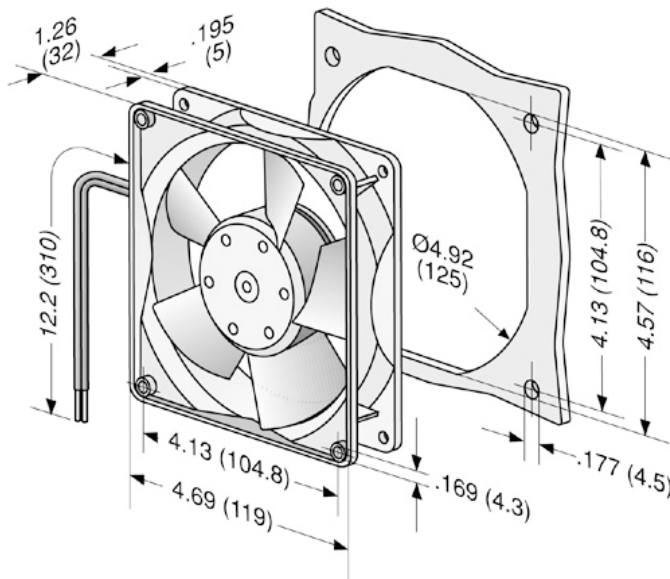
- Fan of fiberglass reinforced plastic. PBTP housing, PA impeller.

- Air exhaust over struts. Rotational direction CW looking at rotor.

- Electrical connection via leads AWG 22, TR 64. Stripped and tinned ends.

- UL, CSA, VDE approvals on some models, please contact application engineering.

Part Number	CFM @ 0	Curve	Volts	Voltage Range	Power (W)	dBA	Max Ambient Temp C	Wgt. (lbs)	Type Of Bearing	Features
4314LS	56	1	24	12 to 28	1.2	30	75	0.5	Ball	Leads
4394L	56	1	24	12 to 28	1.2	30	75	0.5	Ball	Terminals
4314M	82	2	24	12 to 28	2.6	39	75	0.5	Ball	Leads
4394M	82	2	24	12 to 28	2.6	39	75	0.5	Ball	Terminals
4314	100	3	24	12 to 28	5.0	45	75	0.5	Ball	Leads
4314/12	100	3	24	12 to 28	5.0	45	75	0.5	Ball	Leads
4314G	100	3	24	12 to 28	5.0	45	75	0.5	Sintec	Leads
4314S	100	3	24	12 to 28	5.0	45	75	0.5	Ball	Leads
4374	100	3	24	12 to 28	5.0	45	75	0.5	Ball	Terminals
4394	100	3	24	12 to 28	5.0	45	75	0.5	Ball	Terminals
4314-147	106	4	24	12 to 28	5.8	47	75	0.5	Ball	Leads
4314-180	120	5	24	12 to 26.5	9.5	51	75	0.5	Ball	Leads
<hr/>										
4318	100	3	48	36 to 53	5.0	45	75	0.5	Ball	Leads
4318/2	100	3	48	36 to 53	5.0	45	75	0.5	Ball	Leads
4398	100	3	48	36 to 53	5.0	45	75	0.5	Ball	Terminals



X-ON Electronics

Largest Supplier of Electrical and Electronic Components

Click to view similar products for [DC Fans](#) category:

Click to view products by [ebm papst](#) manufacturer:

Other Similar products are found below :

[614R](#) [6424/2HP-210](#) [8312R](#) [DV4118/2NP-183](#) [AFB0948HH-S687](#) [PFB0824DHE-8B72](#) [G2E085-AA05-10](#) [RD20S-4/210660](#) [4318/12T](#)
[4418HH](#) [AUB0912H-F00](#) [3412N/2ME](#) [K2E225-RA92-09](#) [6222N](#) [3610KL-04W-B40-D00](#) [A-FLT84](#) [8412NGL-12](#) [4114N/12HHR-297](#)
[4656](#) [ZWR-903](#) [4112N12GL-175](#) [KD2406PKB2.\(2\).GN](#) [AFB1248HHE](#) [AFB1212LE-F00](#) [FAN-SCH-1](#) [EF92252S1-1000U-G99](#)
[PF80252V1-1000U-G99](#) [4114N/17-251](#) [6212NH](#) [622/2N](#) [712F-011](#) [8218J/2NP-181](#) [W1G180-AB47-15](#) [6318N/2H3PU](#) [6318HU](#) [424JMU](#)
[PMD1206PTVX-A.U.GN](#) [PF80251B2-000U-F99](#) [AD1224LB-A71GL](#) [9GA0924L4021](#) [9GA0924M4021](#) [9GA0924M4011](#) [9GA0824B20011](#)
[9GA0812A2D0011](#) [9GA0912M4D011](#) [9GA0924W4D01](#) [9GA0912F4021](#) [9GA0912F402](#) [9GA0912H4D011](#) [9GA0824L20021](#)
[9GA0824L20011](#)