

max. 285 m³/h

DC axial fans

□ 119 x 38 mm

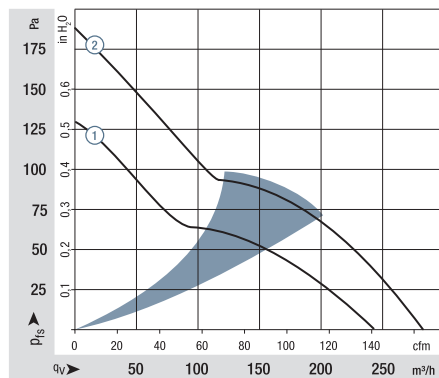


- **Material:** Housing: GRP¹⁾ (PBT)
Impeller: GRP¹⁾ (PA)
 - **Direction of air flow:** Exhaust over struts
 - **Direction of rotation:** Clockwise, seen on rotor
 - **Connection:** Via single wires AWG 24, TR 64
 - **Mass:** 270 g
- **Possible special versions:** (See chapter DC fans - specials)
 - Speed signal
 - Go- / NoGo-alarm
 - Alarm with limit speed
 - External temperature sensor
 - Internal temperature sensor
 - PWM control input
 - Analog control input
 - Humidity protection
 - Degree of protection: IP 54

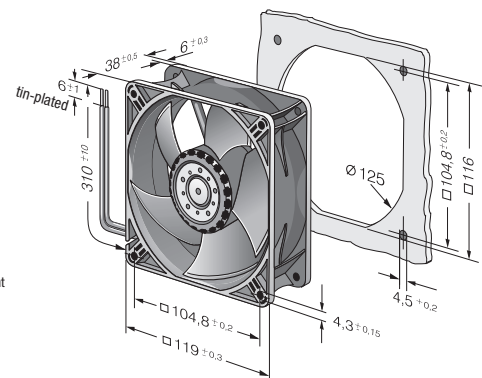
1) Fibreglass-reinforced plastic

Series 4400															
Nominal data		Air flow	Air flow	Nominal voltage	Voltage range	Sound pressure level	Sound power level	Sinter sleeve bearings Ball bearings	Input power	Nominal speed	Temperature range	Service life L ₁₀ (40 °C) ebm-papst Standard	Service life L ₁₀ (T _{max}) ebm-papst Standard	Life expectancy L ₁₀ IPC (40 °C) see page 17	Curve
Type	m ³ /h	cfm	VDC	VDC	dB(A)	Bel(A)	□/■	Watts	rpm	°C	Hours	Hours	Hours		
4412 H	240	141	12	7...14	50	6,0	■	8,6	4 300	-20...+70	57 500 / 27 500	97 500	①		
4412/2 HHP	285	168	12	7...14,5	55	6,4	■	13,0	5 000	-20...+70	50 000 / 25 000	85 000	②		
4414 H	240	141	24	18...28	50	6,0	■	8,6	4 300	-20...+70	57 500 / 27 500	97 500	①		
4414 HH	285	165	24	16...28	55	6,4	■	14,0	5 000	-20...+70	50 000 / 25 000	85 000	②		
4414/2 HHP	285	168	24	18...28	55	6,4	■	12,0	5 000	-20...+70	50 000 / 25 000	85 000	②		
4418 H	240	141	48	36...60	50	6,0	■	8,6	4 300	-20...+70	57 500 / 27 500	97 500	①		
4418/2 HHP	285	168	48	36...60	55	6,4	■	13,0	5 000	-20...+70	50 000 / 25 000	85 000	②		

Subject to alterations



Air performance measured as per: ISO 5801, installation category A, without accidental contact.
Noise: Total sound power level L_{WA} ISO 103002 measured on half-sphere of 2 m;
Sound pressure level L_{pA} measured at 1 m distance to fan axis.
The acoustic values are only valid for the described measurement set-up and may vary depending on the installation situation.
In case of any deviation to the standard setup, the values have to be checked and reviewed once installed or fitted.
For detailed information see <http://www.ebmpapst.com/general-conditions>



X-ON Electronics

Largest Supplier of Electrical and Electronic Components

Click to view similar products for [DC Fans](#) category:

Click to view products by [ebm papst](#) manufacturer:

Other Similar products are found below :

[614R](#) [AUB0612L](#) [AFB0948HH-S687](#) [G2E085-AA05-10](#) [4318/12T](#) [AUB0912H-F00](#) [3412N/2ME](#) [W2G110-AM39-01](#) [8412GLV](#) [8412NGL-12](#) [6448-384](#) [4114N/17-251](#) [622/2N](#) [4318/2R](#) [4412F/2D](#) [424JMU](#) [4414/2HH](#) [4112 N/12GL-175](#) [9GA0912F402](#) [9GA0812B20011](#)
[AFB0824SHBAV1](#) [DV5214/2NP-230](#) [9GA0912H4021](#) [THC1548MGDJJ](#) [GFB1224SHG](#) [8500NU](#) [DC0401012V2B-3T0](#) [7F.20.9.024.3100](#)
[ASFP12391](#) [ASFP12392](#) [ASFP80372](#) [ASFP92391](#) [MF92251V3-1000U-G99](#) [3254J/2HPU](#) [9A0612G402](#) [AD5012HB-C71](#) [AD5012MB-C71](#)
[ASFP84372](#) [ASFP64372](#) [026758A](#) [3258J/2H3PU????](#) [412/2H](#) [4292](#) [MF60152V1-1000U-G99](#) [3610KL-04W-B50-D00](#) [109P0412K3023](#)
[EE92251B1-000U-F99](#) [8218J/2H4P](#) [PE60251B1-000U-G99](#) [PF60381B1-000U-S99](#)