



The engineer's choice

**ebmpapst**

# 4414/12M

## INDEX

<b>1</b>	<b>General</b> .....	<b>3</b>
<b>2</b>	<b>Mechanics</b> .....	<b>3</b>
2.1	General .....	3
2.2	Connections .....	3
<b>3</b>	<b>Operating Data</b> .....	<b>4</b>
3.1	Operating Data - Electrical Interface - Input .....	4
3.2	Electrical Operating Data .....	5
3.3	Operating Data - Electrical Interface -Output .....	5
3.4	Electrical Features .....	7
3.5	Aerodynamic .....	8
3.6	Sound Data .....	9
<b>4</b>	<b>Environment</b> .....	<b>9</b>
4.1	General .....	9
4.2	Climatic requirements*) .....	9
<b>5</b>	<b>Safety</b> .....	<b>10</b>
5.1	Electrical Safety .....	10
5.2	Approval Tests .....	10
<b>6</b>	<b>Reliability</b> .....	<b>10</b>
6.1	General .....	10

**1 General**

Fan type	Fan	
Rotational direction looking at rotor	clockwise	
Airflow direction	Air outlet over struts	
Bearing system	Ball bearing	
Mounting position	any	

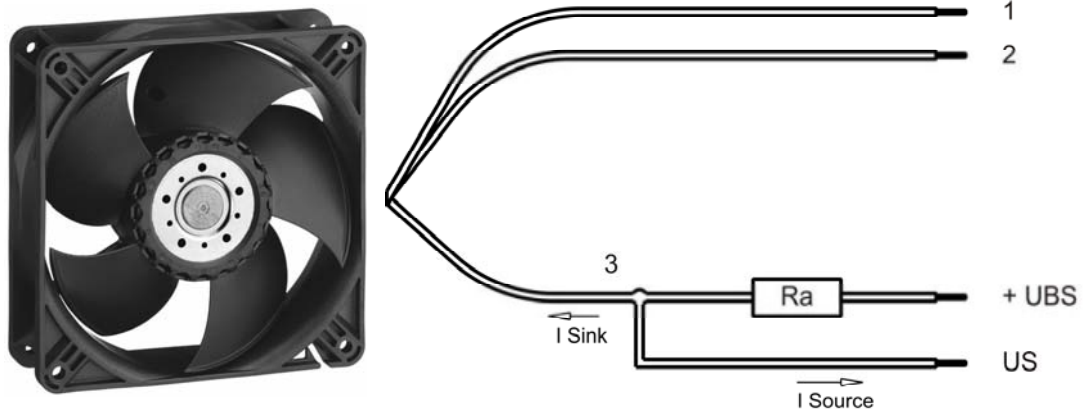
**2 Mechanics**

**2.1 General**

Width	119,0 mm	
Height	119,0 mm	
Depth	38,0 mm	
Weight	0,275 kg	
Housing material	Plastic	
Impeller material	Plastic	
Max. torque when mounted across both mounting flanges	wire outlet corner: 80 Ncm remaining corners: 80 Ncm	
Screw size	ISO 4762 - M4 degreased, without an additional brace and without washer	

**2.2 Connections**

Electrical connection	Wires	
Length of lead wire	310 mm	
Tolerance	+/- 10,0 mm	
Wire gauge (AWG)	24	
Insulation diameter	1,10 mm	



	Colour	Operation
Wire 1	red	+ UB
Wire 2	blue	- GND
Wire 3	white	Tacho

The auxiliaries shown on the schematic diagram (which are required for the intended use) are not part of our delivery.

**3 Operating Data**

**3.1 Operating Data - Electrical Interface - Input**

Control input	None
---------------	------

### 3.2 Electrical Operating Data

Measurement conditions: Normal air density = 1,2 kg/m<sup>3</sup>; Temperature 23°C +/- 3°C; Motor axis horizontal; warm-up time before measuring 5 minutes (unless otherwise specified). In the intake and outlet area should not be any solid obstruction within 0,5 m.

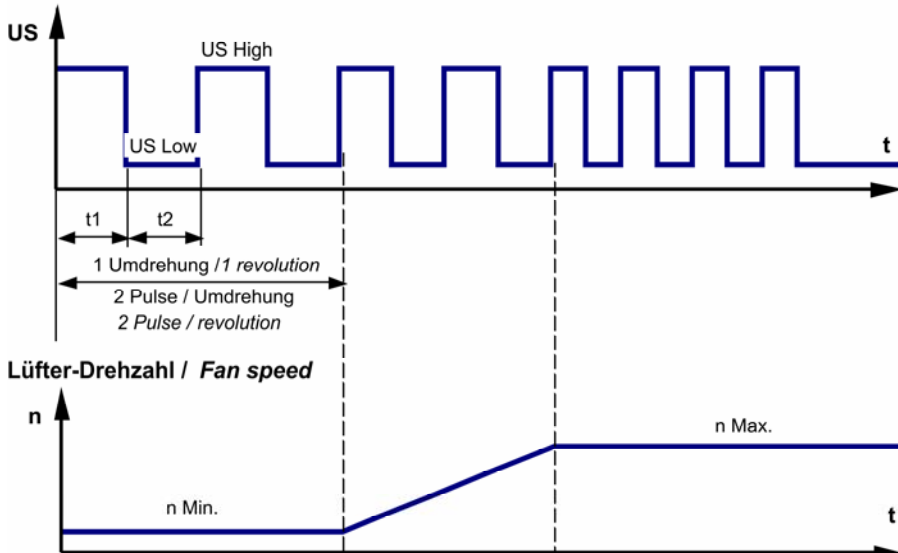
$\Delta p = 0$ : corresp. to free air flow (see section 3.5)  
 I: corresp. to arithm. mean current value

Features	Condition	Symbol	Values		
Voltage range	$\Delta p = 0$	U	18,0 V		28,0 V
Nominal voltage	$\Delta p = 0$	$U_N$		24,0 V	
Power consumption	$\Delta p = 0$	P	2,1 W	4,1 W	5,9 W
Tolerance	0001		+/- 17,5 %	+/- 12,5 %	+/- 15,0 %
Current consumption	$\Delta p = 0$	I	118 mA	170 mA	210 mA
Tolerance	0001		+/- 17,5 %	+/- 12,5 %	+/- 15,0 %
Speed	$\Delta p = 0$	n	2.540 1/min	3.300 1/min	3.720 1/min
Tolerance	0001		+/- 12,5 %	+/- 7,5 %	+/- 10,0 %
Starting current consumption				< 1.400 mA	

### 3.3 Operating Data - Electrical Interface -Output

Tacho type	/12 (TTL)
------------	-----------

Signal-Ausgangsspannung / Signal output voltage



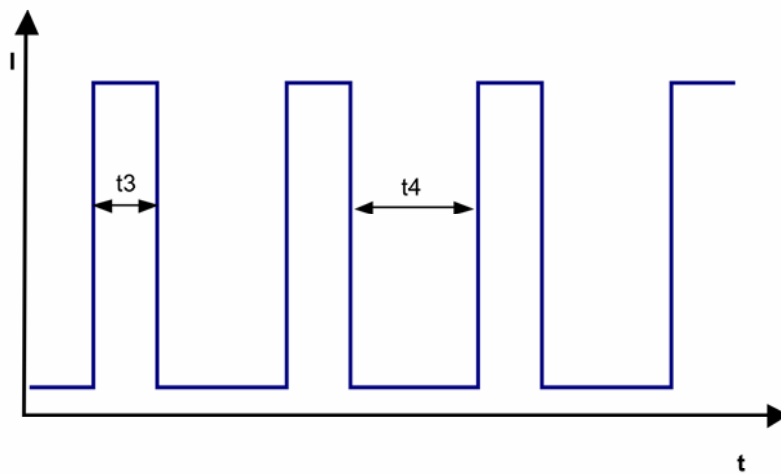
Features	Note	Values
Tacho signal TTL High		2,5 V      Min.: 5,5 V
Tacho signal Low	I sink: 1 mA	<= 0,4 V
Tacho signal High	I source: 1 mA	
Maximum sink current		<= 1 mA
Maximum source current		1 mA
External resistor	All voltages measured to GND.	

Tacho frequency	$(2 \times n) / 60$	
Tacho isolated from motor	No	
Slew rate		=> 0,5 V/us

Alarm type	None
------------	------

### 3.4 Electrical Features

Electronic function	None	
Reversed polarity protection	Rectifying diode	
Max. residual current at $U_n$	$I_F \leq 50 \mu A$	
Locked rotor protection	Auto restart	
Locked rotor current at $U_n$	approx. 1.400 mA	
Clock signal $t_3/t_4$ at locked rotor	Typical: 0,5 s / 2,8 s	



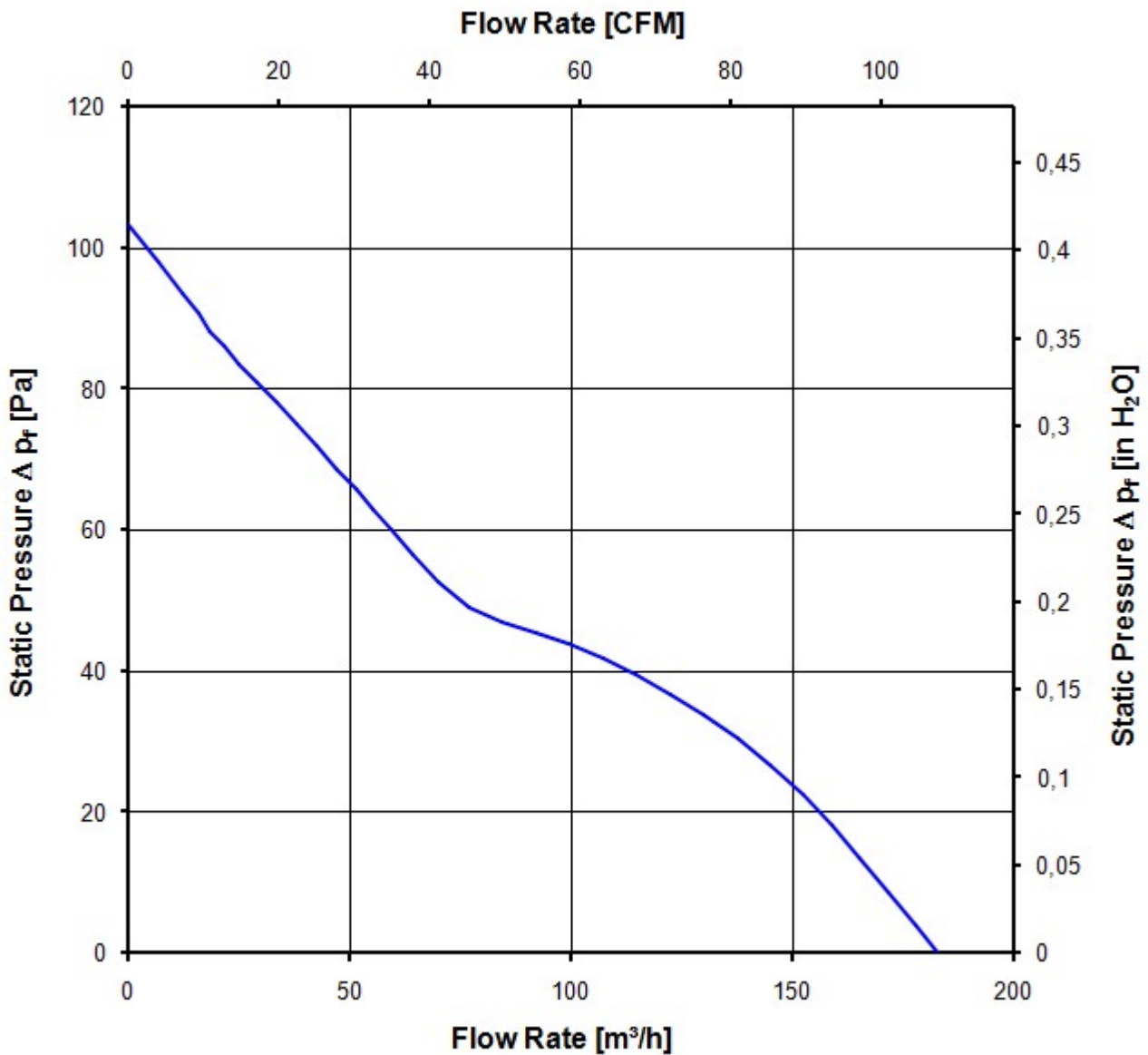
**3.5 Aerodynamic**

Measurement conditions: Measured with a double chamber intake rig acc. to DIN EN ISO 5801.  
 Normal air density = 1,2 kg/m<sup>3</sup>; Temperature 23°C +/- 3°C;  
 In the intake and outlet area should not be any solid obstruction within 0,5 m.

a.) Operation condition:

3.300 1/min at free air flow

Max. free-air flow ( $\Delta p = 0 / \dot{V} = \text{max.}$ )	184,0 m <sup>3</sup> /h	
Max. static pressure ( $\Delta p = \text{max.} / \dot{V} = 0$ )	103 Pa	





**3.6 Sound Data**

Measurement conditions: Sound pressure level: 1 Meter distance between microphone and the air intake.  
 Sound power level: Acc. to DIN 45635 part 38 (ISO 10302)  
 Measured in a semianchoic chamber with a background noise level of  $L_p(A) < 5 \text{ dB(A)}$   
 For further measurement conditions see section 3.5

a.) Operation condition:

3.300 1/min at free air flow		
Optimal operating point	106,0 m <sup>3</sup> /h @ 38 Pa	
Sound power level at the optimal operating point	5,3 bel(A)	
Sound pressure level at free air flow, measured in rubber bands	43,0 dB(A)	

**4 Environment**

**4.1 General**

Min. permitted ambient temperature TU min.	-20 °C	
Max. permitted ambient temperature TU max.	80 °C	
Min. permitted storage temperature TL min.	-40 °C	
Max. permitted storage temperature TL max.	80 °C	

**4.2 Climatic requirements\*)**

Humidity requirements	humid heat, constant; according to DIN EN 60068-2-78, 14 days	
Water exposure	None	
Radiation exposure	None	
Dust requirements	None	
Salt fog requirements	None	
Harmful gas requirements	None	

\*) Permitted application area:

The product is intended for use in sheltered rooms with controlled temperature and controlled humidity. Directly exposure to water must be avoided.

Pollution degree 1 (according DIN EN 60664-1)

There is either no pollution or it occurs only dry, non-conductive pollution. The pollution has no negative impact.

## 5 Safety

### 5.1 Electrical Safety

Dielectric strength DIN EN 60950 (VDE 0805) and DIN EN 60335 (VDE 0700) A.) Type test Measuring conditions: After 48h of storage at 95% R.H. and 25°C. No arcing or breakdown is allowed! All connections together to ground. B.) Routine test Measuring conditions: At indoor climate. No arcing or breakdown is allowed! All connections together to ground.	500 VAC / 1 Min.  500 VAC / 1 Sec.	
Isolation resistance Measuring conditions: After 48h of storage at 95% R.H. and 25°C measured with U=500 VDC for 1 min.	RI > 10 MOhm	
Air and leakage distances	1,0 mm / 1,2 mm	
Protection class	III	

### 5.2 Approval Tests

CE	Yes
UL	Yes / UL audited by CSA according to UL507, Electric Fans
VDE	Yes / Approval acc. to EN 60950 (VDE 0805) - Information technology equipment
CSA	Yes / C22.2 No. 113 Fans and Ventilators
CCC	No

The approval tests are observed to:

U approval max.: 28,0 V @ TU approval max.: 70,0 °C

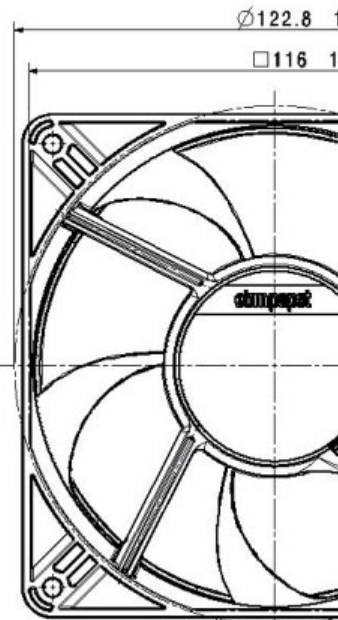
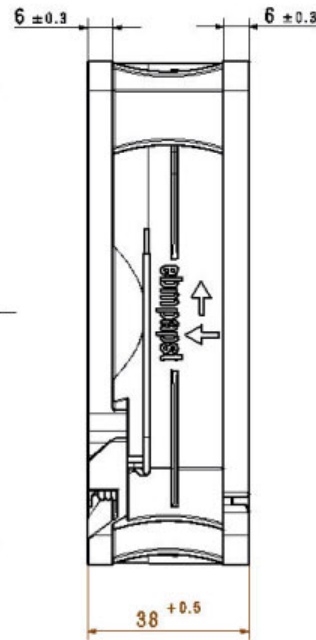
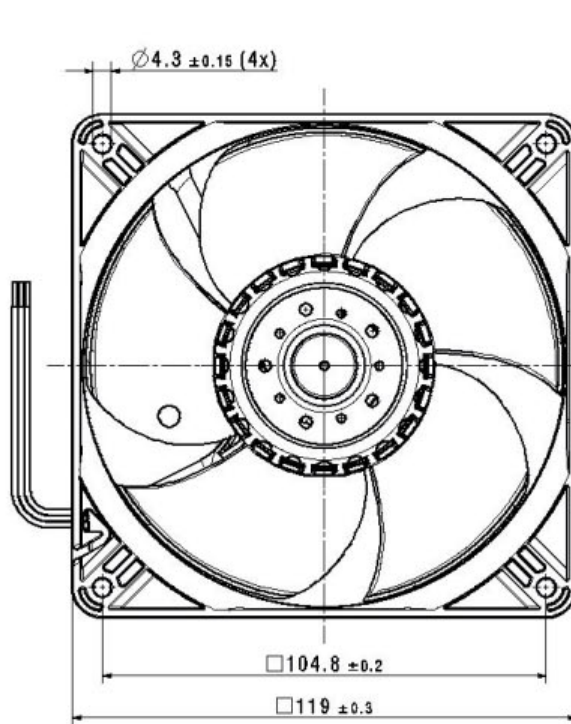
## 6 Reliability

### 6.1 General

Life expectancy L10 at TU = 40 °C	65.000 h	
Life expectancy L10 Delta (40 °C)	130.000 h	

Accuracy of this document, and validity of values and the use or reproduction of the contents thereof, are guaranteed only if the user complies with the conditions of use and the conditions of sale. The user is responsible for the use of the product in a manner that is consistent with the requirements of a safety work or design.

Information: This document is for reference only. It is not intended to be used as a basis for design or production without the approval of the manufacturer.



- 1.) Maße fuer Montageausschnitt
- max. Anziehdrehmoment = 0.8Nm
  - Axialspiel: mit Feder spielfrei verspannt
  - Anzahl und Länge der Litzen siehe BV- Bl. 1
- 1.) measures for mounting cut-out
- max. tightening torque = 0.8Nm
  - without axial clearance by a pre-loaded spring
  - length and number of wires see design specification page 1

MP-Status	Rev. / Page No.	Old design / Old Part No.	Old parting / Old document	Revised / New
		Datum Name		Artikel / Title: Züg. Nr. / Part No.
Toleranz / Tolerances:		Typ / Name		Abmessung / Type of Dimension:
Allgemeintoleranz / Gen. Tolerances:				ebmpapst St. Georgen 8081 A Co KG

## X-ON Electronics

Largest Supplier of Electrical and Electronic Components

*Click to view similar products for [DC Fans](#) category:*

*Click to view products by [ebm papst](#) manufacturer:*

Other Similar products are found below :

[614R](#) [AUB0612L](#) [AFB0948HH-S687](#) [G2E085-AA05-10](#) [4318/12T](#) [AUB0912H-F00](#) [3412N/2ME](#) [W2G110-AM39-01](#) [8412GLV](#) [8412NGL-12](#) [6448-384](#) [4114N/17-251](#) [622/2N](#) [4318/2R](#) [4412F/2D](#) [424JMU](#) [4414/2HH](#) [4112 N/12GL-175](#) [9GA0912F402](#) [9GA0812B20011](#)  
[AFB0824SHBAV1](#) [DV5214/2NP-230](#) [9GA0912H4021](#) [THC1548MGDJJ](#) [GFB1224SHG](#) [8500NU](#) [DC0401012V2B-3T0](#) [7F.20.9.024.3100](#)  
[ASFP12391](#) [ASFP12392](#) [ASFP80372](#) [ASFP92391](#) [MF92251V3-1000U-G99](#) [3254J/2HPU](#) [9A0612G402](#) [AD5012HB-C71](#) [AD5012MB-C71](#)  
[ASFP84372](#) [ASFP64372](#) [026758A](#) [3258J/2H3PU????](#) [412/2H](#) [4292](#) [MF60152V1-1000U-G99](#) [3610KL-04W-B50-D00](#) [109P0412K3023](#)  
[EE92251B1-000U-F99](#) [8218J/2H4P](#) [PE60251B1-000U-G99](#) [PF60381B1-000U-S99](#)