

# 4400F Series

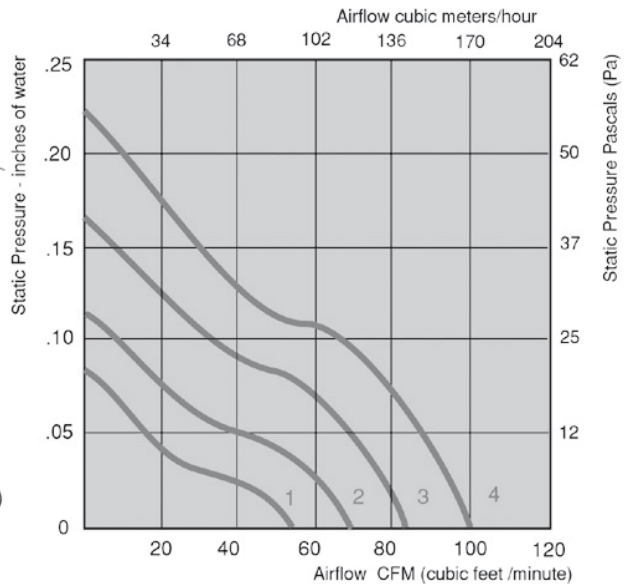
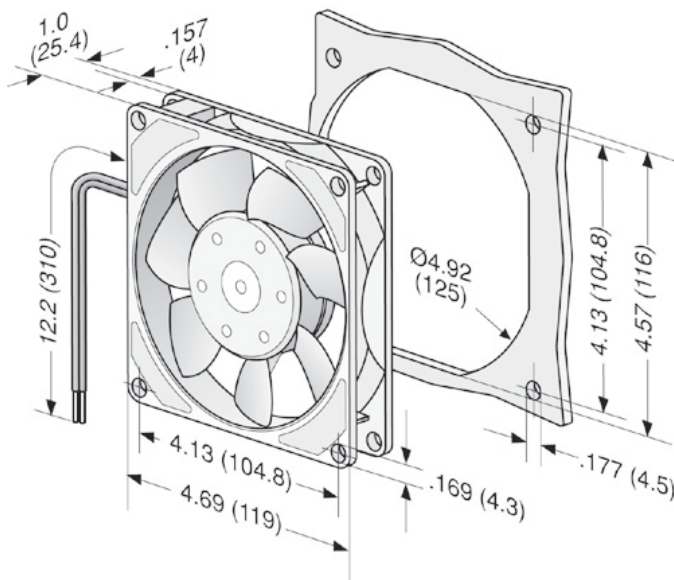
# Tubeaxial

119x119x25mm



- DC fans with electronically commutated external rotor motor. Fully integrated commutation electronics.
- With electronic protection against reverse polarity, blocking and overloading by PTC-resistor partially impedance protected.
- Mounting from either face using four 4.3 mm holes.
- Fan of fiberglass reinforced plastic. PBTP housing, PA impeller.
- Air exhaust over struts. Rotational direction CCW looking at rotor.
- Electrical connection via 2 leads AWG 22, TR 64. Stripped and tinned ends.
- UL, CSA, VDE approvals on some models, please contact application engineering.

Part Number	Curve	CFM @ 0	VDC	Volt. Range	Power (W)	dBA	Max Amb. Temp C	Bearing Type	Features	Wgt. (lbs)
4412FGL	1	55	12	7 to 14	1.3	26	75	Sintec	Leads	0.38
4412FGML	2	67	12	7 to 14	2.0	32	75	Sintec	Leads	0.38
4412FM	3	82	12	7 to 14	3.2	38	75	Ball	Leads	0.38
4412FMD	3	82	12	7 to 14	3.2	38	75	Ball	Leads Ribs	0.38
4482FM	3	82	12	7 to 14	3.2	38	75	Ball	Terminals	0.38
4482FMD	3	82	12	7 to 14	3.2	38	75	Ball	Terminals Ribs	0.38
4414FM	3	82	24	12 to 28	3.2	38	75	Ball	Leads	0.38
4414FMD	3	82	24	12 to 28	3.2	38	75	Ball	Leads Ribs	0.38
4484FM	3	82	24	12 to 28	3.2	38	75	Ball	Terminals	0.38
4484FMD	3	82	24	12 to 28	3.2	38	75	Ball	Terminals Ribs	0.38
4418F	4	100	48	28 to 53	6.5	43	60	Ball	Leads	0.38
4414F	4	100	24	12 to 28	5.0	43	75	Ball	Leads	0.38
4414FD	4	100	24	12 to 28	5.0	43	75	Ball	Leads Ribs	0.38
4484F	4	100	24	12 to 28	5.0	43	75	Ball	Terminals	0.38
4484FD	4	100	24	12 to 28	5.0	43	75	Ball	Terminals Ribs	0.38



## X-ON Electronics

Largest Supplier of Electrical and Electronic Components

*Click to view similar products for [DC Fans](#) category:*

*Click to view products by [ebm papst](#) manufacturer:*

Other Similar products are found below :

[614R](#) [AUB0612L](#) [AFB0948HH-S687](#) [G2E085-AA05-10](#) [4318/12T](#) [AUB0912H-F00](#) [3412N/2ME](#) [W2G110-AM39-01](#) [8412GLV](#) [8412NGL-12](#) [6448-384](#) [4114N/17-251](#) [622/2N](#) [4318/2R](#) [4412F/2D](#) [424JMU](#) [4414/2HH](#) [4112 N/12GL-175](#) [9GA0912F402](#) [9GA0812B20011](#)  
[AFB0824SHBAV1](#) [DV5214/2NP-230](#) [9GA0912H4021](#) [THC1548MGDJJ](#) [GFB1224SHG](#) [8500NU](#) [DC0401012V2B-3T0](#) [7F.20.9.024.3100](#)  
[ASFP12391](#) [ASFP12392](#) [ASFP80372](#) [ASFP92391](#) [MF92251V3-1000U-G99](#) [3254J/2HPU](#) [9A0612G402](#) [AD5012HB-C71](#) [AD5012MB-C71](#)  
[ASFP84372](#) [ASFP64372](#) [026758A](#) [3258J/2H3PU????](#) [412/2H](#) [4292](#) [MF60152V1-1000U-G99](#) [3610KL-04W-B50-D00](#) [109P0412K3023](#)  
[EE92251B1-000U-F99](#) [8218J/2H4P](#) [PE60251B1-000U-G99](#) [PF60381B1-000U-S99](#)