

Accessories - Capacitors

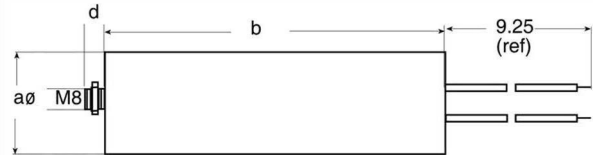
HOW TO USE CAPACITORS FOR MULTI-SPEED BLOWERS

It is possible to make any ebm blower with a PSC motor a multi-speed blower by adding a second or third capacitor on the load line (blue) at or near the value of the motor run capacitor. Actual capacitor value and RPM achieved are dependent on the nature of each application.

CAPACITORS

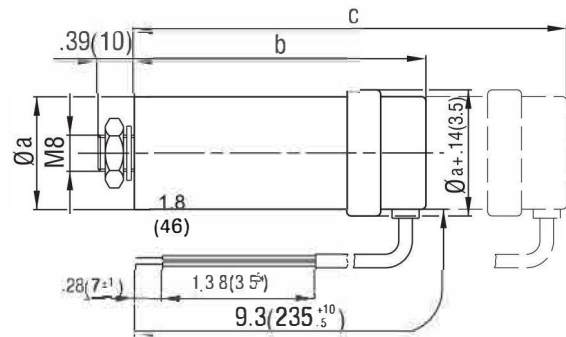
Part Number	Size (mfd)	Temp. Range (°C)	Housing Type	Max. Dim in. (mm)		
				a	b	d
2111-4-7320	1	-25 to +85	Plastic	1 (25)	1.9 (49)	0.5 (12)
99282-4-7320	1.5	-25 to +85	Aluminum	1 (25)	2 (50)	0.5 (12)
99283-4-7320	2	-25 to +85	Plastic	1 (25)	1.9 (49)	0.5 (12)
2103-4-7320	2.5	-25 to +85	Plastic	1 (25)	1.9 (48)	0.5 (12)
68462-4-7320	3	-25 to +85	Plastic	1 (25)	1.9 (48)	0.5 (12)
99284-4-7320	4	-25 to +85	Plastic	1.2 (30)	1.9 (48)	0.5 (12)
2101-4-7320	5	-25 to +85	Plastic	1.2 (30)	2.3 (58)	0.5 (12)
99285-4-7320	6	-25 to +85	Aluminum	1.4 (35)	2.2 (55)	0.5 (12)
99286-4-7320	8	-25 to +85	Plastic	1.4 (35)	2.3 (58)	0.5 (12)
99287-4-7320	10	-25 to +85	Plastic	1.4 (35)	2.7 (68)	0.5 (12)

(For larger sizes consult factory)



METAL CAPACITORS with ALUMINUM LID

Part Number	Size (mfd)	Temp. Range (°C)	Max. Dim in. (mm)		
			a	b	c
2151-4-7320	1	-25 to +85	1.2 (30)	3 (77)	3.3 (85)
2155-4-7320	1.5	-25 to +85	1 (25)	3 (77)	3.3 (85)
2156-4-7320	2	-25 to +85	1 (25)	3 (77)	3.3 (85)
2159-4-7320	2.5	-25 to +85	1.2 (30)	3 (77)	3.3 (85)
2160-4-7320	3	-25 to +85	1.2 (30)	3 (77)	3.3 (85)
2161-4-7320	4	-25 to +85	1.2 (30)	4.2 (107)	4.4 (112)
2162-4-7320	5	-25 to +85	1.2 (30)	4.2 (107)	4.4 (112)
2163-4-7320	6	-25 to +85	1.2 (30)	4.2 (107)	4.4 (112)
2164-4-7320	7	-25 to +85	1.4 (35)	4.2 (107)	4.4 (112)
2165-4-7320	8	-25 to +85	1.4 (35)	4.2 (107)	4.4 (112)
2166-4-7320	10	-25 to +85	1.4 (35)	4 (102)	4.2 (107)
2167-4-7320	12	-25 to +85	1.4 (35)	4 (102)	4.2 (107)
90026-4-7320	14	-25 to +85	1.6 (40)	4 (102)	4.2 (107)
2168-4-7320	16	-25 to +85	1.6 (40)	4 (102)	4.2 (107)
2169-4-7320	20	-25 to +85	1.6 (40)	4.8 (122)	5 (127)
2170-4-7320	25	-25 to +85	1.8 (45)	4.8 (122)	5 (127)



- **Overpressure disconnecter:** The protector responds to overload by the generated overpressure expanding the housing and snapping off the internal lead at a predetermined breaking point

- **Installation:** "c" is the overall dimension after operation of overpressure disconnecter which has to be taken into account when mounting the part

Accessories

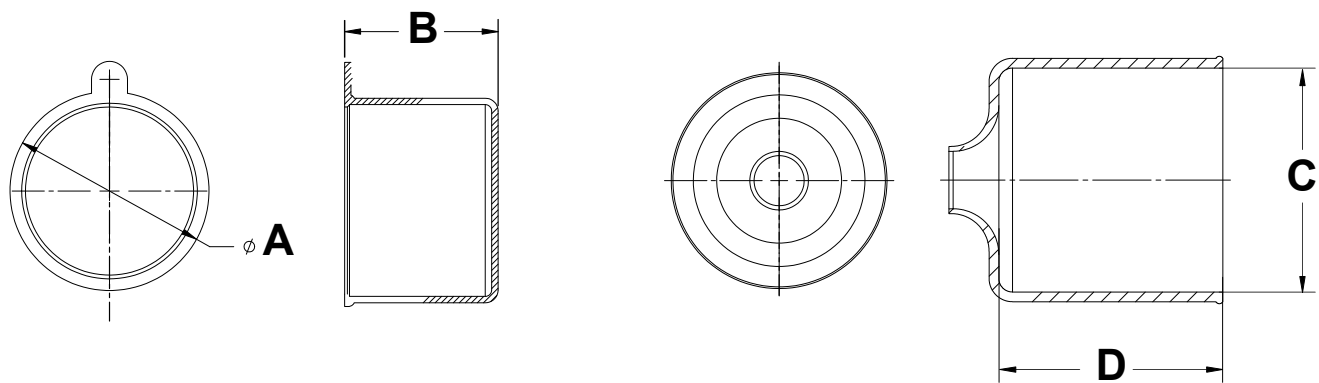
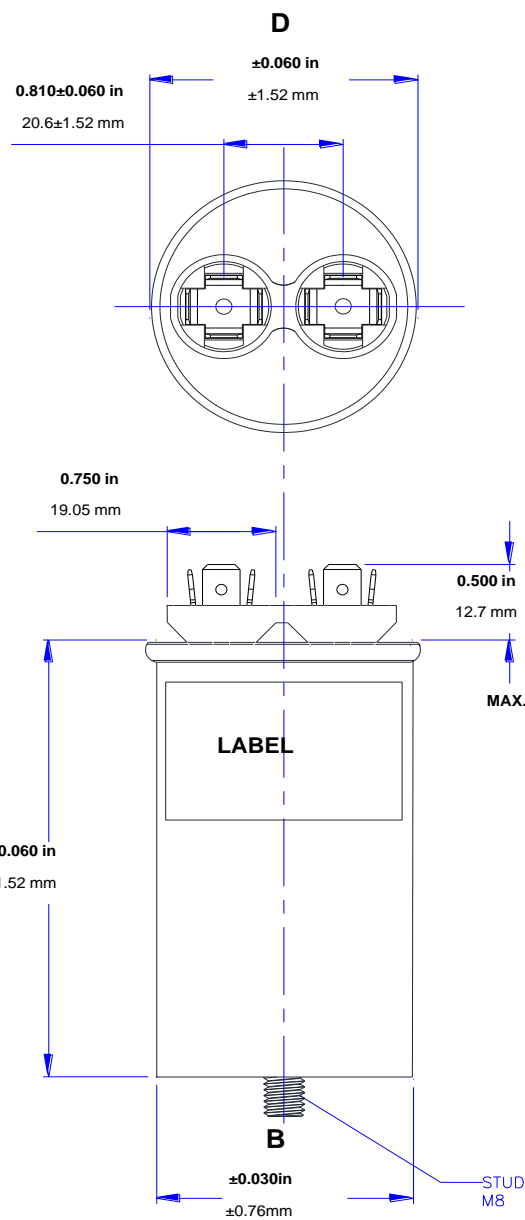
with UL and cUL Approvals

Part Number	Size (mfd)	Temp Range °C	Dimensions							
			H		B		D			
			in	mm	in	mm	in	mm		
450-21-0017	1	-40 to +85								
450-21-0018	1.5	-40 to +85								
450-21-0019	2	-40 to +85	2.00	50.8						
450-21-0020	2.5	-40 to +85								
450-21-0021	3	-40 to +85								
450-21-0022	4	-40 to +85								
450-21-0023	5	-40 to +85			1.75	44.5	1.875	47.63		
450-21-0024	6	-40 to +85								
450-21-0026	8	-40 to +85								
450-21-0027	10	-40 to +85								
450-21-0028	12	-40 to +85	3.125	79.38						
450-21-0029	16	-40 to +85								
450-21-0030	20	-40 to +85			2.00	50.8	2.125	53.98		
450-21-0031	25	-40 to +85								
450-21-0033	30	-40 to +85	3.875	98.43						
450-21-0034	40	-40 to +85					2.5	63.5	2.625	66.68

Part Number for Boot	Dimensions							
	A		B		C		D	
	in	mm	in	mm	in	mm	in	mm
710-00-0042	1.75	44.4	1.5	38.1				
710-00-0166	2.00	50.8	1.5	38.1				
710-00-0167					2.3	58.42	2.3	58.42

* UL File # for capacitors
UL File # for Boot

E229850
MH17276



ebmpapst

e-mail: sales@us.ebmpapst.com · TEL: 860-674-1515 · FAX: 860-674-8536
ebm-papst Inc., 100 Hyde Road, Farmington, CT 06034 USA

ebm-papst Inc., 2021 © ebm-papst Inc. reserves the right to change any specifications or data without notice

X-ON Electronics

Largest Supplier of Electrical and Electronic Components

Click to view similar products for [Fan Accessories](#) category:

Click to view products by [ebm papst](#) manufacturer:

Other Similar products are found below :

[LZ31](#) [63070-2-4013](#) [73816-2-3634](#) [854589-1](#) [95778-1-5171](#) [99485901](#) [RF119](#) [2151-4-7320](#) [KM36](#) [27453.32262](#) [95779-1-5171](#) [9614-2-4013](#) [99485906](#) [F92-B](#) [FK40-30](#) [FK80-45](#) [2103-4-7320](#) [2170-4-7320](#) [27453.32298](#) [R88ACPU001M1](#) [R88ACPU001M2](#) [LZ215](#) [LZ24-1](#) [LZ30-9](#) [LZ37-2](#) [450-20-0025](#) [525-00-0009](#) [KM38](#) [420-05-0276](#) [450-20-0017](#) [450-20-0020](#) [50824-4-1040](#) [055032](#) [08121](#) [08188](#) [08196](#) [09494-2-4039](#) [109-1102](#) [109-019H](#) [54476-2-4013](#) [71883-2-4053](#) [63071-2-4013](#) [52544-2-4037](#) [64445-1-7612](#) [73801-2-3634](#) [66786-4-7320](#) [88601-2-2929](#) [08164](#) [4013-2-4039](#) [73772-2-3634](#)