

4536 Z

# AC axial compact fan



## ebm-papst St. Georgen GmbH & Co. KG

Hermann-Papst-Str. 1  
D-78112 St. Georgen  
Phone +49 (0) 7724 81-0  
Fax +49 (0) 7724 81-1309  
info2@de.ebmpapst.com  
www.ebmpapst.com

## Nominal data

| Type                     | 4536 Z            |      |
|--------------------------|-------------------|------|
| Phase                    |                   | 1~   |
| Nominal voltage          | VAC               | 115  |
| Frequency                | Hz                | 60   |
| Speed (rpm)              | min <sup>-1</sup> | 2000 |
| Power consumption        | W                 | 12.0 |
| Min. ambient temperature | °C                | -40  |
| Max. ambient temperature | °C                | 75   |
| Air flow                 | m <sup>3</sup> /h | 120  |
| Sound power level        | B                 | 4.4  |
| Sound pressure level     | dB(A)             | 32   |

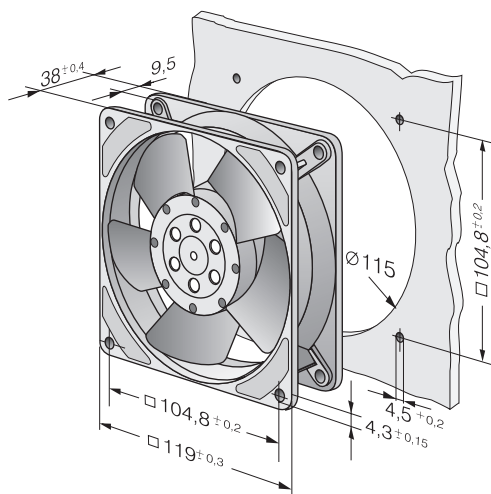
ml = Max. load · me = Max. efficiency · fa = Free air · cs = Customer specification · ce = Customer equipment  
Subject to change



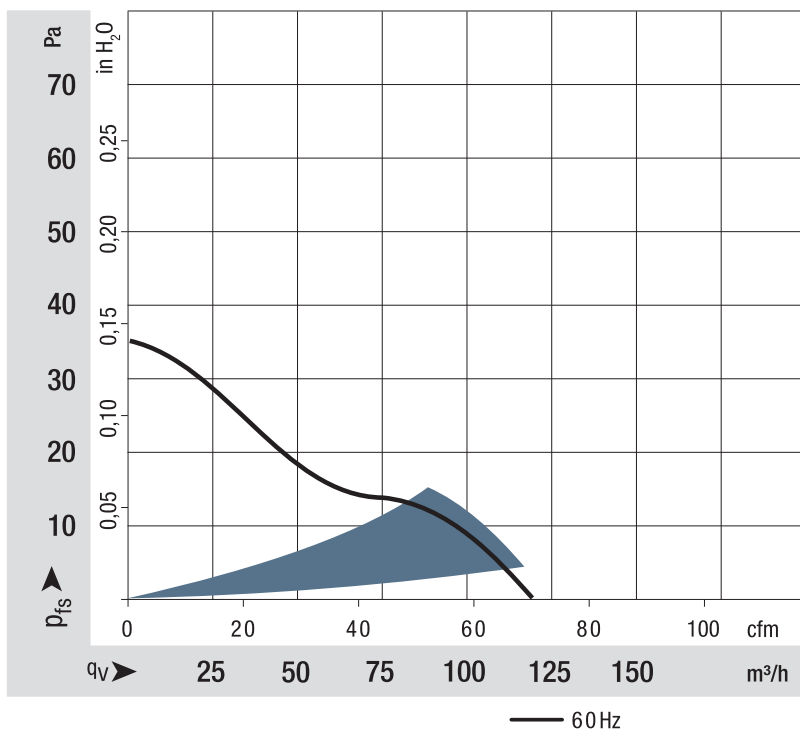
**Technical description**

|  |   |
|--|---|
| <b>Weight</b>                                  | 0.540 kg  |
| <b>Dimensions</b>                              | 119 x 119 x 38 mm   |
| <b>Impeller material</b>                       | Sheet steel, painted black  |
| <b>Housing material</b>                        | Die-cast aluminum   |
| <b>Airflow direction</b>                       | Exhaust over struts   |
| <b>Direction of rotation</b>                   | Clockwise, viewed toward rotor                                    |
| <b>Bearing</b>                                 | Ball bearing  |
| <b>Service life L10 at 40 °C</b>               | 52500 h   |
| <b>Service life L10 at maximum temperature</b> | 17500 h   |
| <b>Cable</b>                                   | 2 flat plugs 2.8 x 0.5 mm. Housing with grounding lug for M4 x 8. |
| <b>Motor protection</b>                        | Protected from overload by impedance protection                   |
| <b>Approval</b>                                | VDE, CSA, UL, CE  |
| <b>Option</b>                                  | Electrical hookup to leads, 310 mm long, is available.            |

## Product drawing



## Curves: Air performance



## X-ON Electronics

Largest Supplier of Electrical and Electronic Components

*Click to view similar products for [AC Fans](#) category:*

*Click to view products by [ebm papst](#) manufacturer:*

Other Similar products are found below :

[G9225S05B2-FSR](#) [A2D200-AA04-41](#) [A2E165-AA17-01](#) [AD0912HB-A7BGL](#) [1500-FAN-01](#) [25.001.1856.0](#) [25.320.1353.1](#) [25.320.4753.1](#)  
[25.320.5453.1](#) [25.330.1353.1](#) [25.330.4853.1](#) [25.330.5153.1](#) [25.330.5353.1](#) [25.340.1053.1](#) [25.350.5253.0](#) [25.600.4053.0](#) [272DL-2LP11-000](#)  
[A2D210-AB10-05](#) [A2D240-AA02-02](#) [A2D250-AE22-06](#) [A2E170-AF23-01](#) [F1238S24BT-FSR](#) [23241-3](#) [25.000.1856.0](#) [25.000.2056.0](#)  
[25.010.1856.0](#) [25.332.2453.1](#) [25.340.0453.1](#) [25.345.5353.0](#) [281DS-2LP11-000B](#) [281DY-1LP14-000B](#) [298DM-2LP11-000](#) [298DS-2LP11-](#)  
[000A](#) [344DY-1LP11-000](#) [39.703.0253.0](#) [USTF1203224VHW](#) [3G2C7MC224](#) [W2S130-AA03-43](#) [W2S130-AA25-97](#) [8856N](#) [A4D315-AC20-](#)  
[02](#) [A2E170-AF23-11](#) [W2S130-AB03-09](#) [8550A](#) [8560N](#) [8880A](#) [S4D300-AR34-17](#) [S2E250-AE31-08](#) [AD0405HB-G73\(9T\)](#) [CENT-2000-](#)  
[FFTM](#)