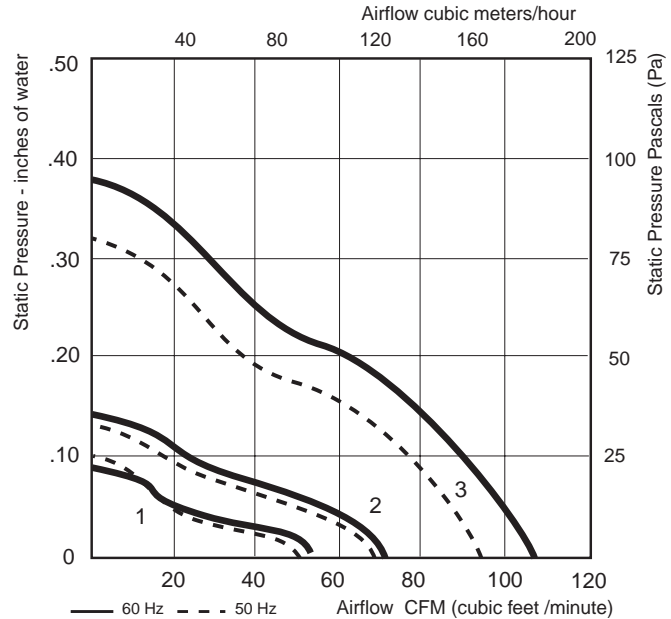
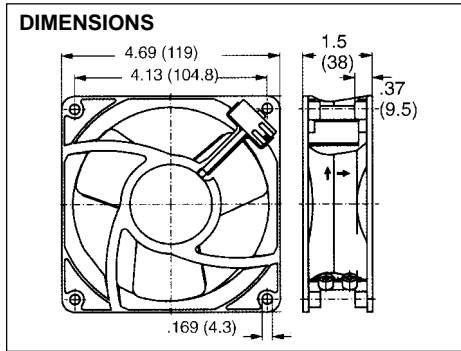


119 x 38mm (4.7" X 1.5") AC FAN

4000Z Series Terminals or Leads Air Exhaust – Over Struts



AVAILABLE WITH:

HIGH PERFORMANCE
SINTEC
SLEEVE BEARING SYSTEM

4.69" X 4.69" X 1.50" AC Fan, All Metal, Air exhaust – Over struts

Curve	PART NUMBER	Type of Bearing	AC Volts	Hertz	Watts	CFM @ 0"	dBA	Temp. Max °C	Wgt. (oz)	Features	Approvals*		
											UL	CSA	VDE
1	4800Z	Sleeve	115	50/60	10	56	28	75	19	Terminals	√	√	√
1	4800ZW	Sleeve	115	50/60	10	56	28	75	19	22 AWG 12.2" Leads	√	√	√
1	4850Z	Sleeve	230	50/60	10	56	28	75	19	Terminals	√	√	√
1	4850ZW	Sleeve	230	50/60	10	56	28	75	19	22 AWG 12.2" Leads	√	√	√
2	4530Z	Sleeve	115	50/60	12	71	33	65	19	Terminals	√	√	√
2	4530ZW	Sleeve	115	50/60	12	71	33	65	19	22 AWG 12.2" Leads	√	√	√
2	4580Z	Sleeve	230	50/60	12	71	33	65	19	Terminals	√	√	√
2	4580ZW	Sleeve	230	50/60	12	71	33	65	19	22 AWG 12.2" Leads	√	√	√
2	4590ZW	Sleeve	115/230	50/60	12	71	33	65	19	22 AWG 12.2" Leads	√	√	√
3	4600Z	Sleeve	115	50/60	18	106	45	60	19	Terminals	√	√	√
3	4600ZW	Sleeve	115	50/60	18	106	45	60	19	22 AWG 12.2" Leads	√	√	√
3	4650Z	Sleeve	230	50/60	18	106	45	60	19	Terminals	√	√	√
3	4650ZW	Sleeve	230	50/60	18	106	45	60	19	22 AWG 12.2" Leads	√	√	√
3	4606Z	Ball	115	50/60	18	106	45	75	19	Terminals	√	√	√
3	4606ZW	Ball	115	50/60	18	106	45	75	19	22 AWG 12.2" Leads	√	√	√
3	4656Z	Ball	230	50/60	18	106	45	75	19	Terminals	√	√	√
3	4656ZW	Ball	230	50/60	18	106	45	75	19	22 AWG 12.2" Leads	√	√	√
3	4624ZW	Ball	24	50/60	18	106	45	75	19	22 AWG 12.2" Leads	-	-	-

* UL yellow card E38324, CSA file 27697, VDE file 1176 (4800Z), VDE 6617 (4530 & 4600), 4621 (4850)

CONSTRUCTION MOUNTING & CONNECTION	Mounting:	Either face using four .169" (4.3mm) holes	Weight:	19 ounces (540g)
			Housing:	Metal with metal impeller
			Connection:	Terminals, .110" x .02" (2.8 x .5 mm)

Call **ebm/Papst** at 860-674-1515 • Fax 860-674-8536 • E-mail: sales@ebm.com for Technical Assistance

© ebm/Papst 1995, 1996, 1997. ebm/Papst reserves the right to change any specifications or data without notice.

X-ON Electronics

Largest Supplier of Electrical and Electronic Components

Click to view similar products for [AC Fans](#) category:

Click to view products by [ebm papst](#) manufacturer:

Other Similar products are found below :

[G9225S05B2-FSR](#) [A2D200-AA04-41](#) [A2E165-AA17-01](#) [AD0912HB-A7BGL](#) [1500-FAN-01](#) [25.001.1856.0](#) [25.320.1353.1](#) [25.320.4753.1](#)
[25.320.5453.1](#) [25.330.1353.1](#) [25.330.4853.1](#) [25.330.5153.1](#) [25.330.5353.1](#) [25.340.1053.1](#) [25.350.5253.0](#) [25.600.4053.0](#) [272DL-2LP11-000](#)
[A2D210-AB10-05](#) [A2D240-AA02-02](#) [A2D250-AE22-06](#) [A2E170-AF23-01](#) [F1238S24BT-FSR](#) [23241-3](#) [25.000.1856.0](#) [25.000.2056.0](#)
[25.010.1856.0](#) [25.332.2453.1](#) [25.340.0453.1](#) [25.345.5353.0](#) [281DS-2LP11-000B](#) [281DY-1LP14-000B](#) [298DM-2LP11-000](#) [298DS-2LP11-](#)
[000A](#) [344DY-1LP11-000](#) [39.703.0253.0](#) [USTF1203224VHW](#) [3G2C7MC224](#) [W2S130-AA03-43](#) [W2S130-AA25-97](#) [8856N](#) [A4D315-AC20-](#)
[02](#) [A2E170-AF23-11](#) [W2S130-AB03-09](#) [8550A](#) [8560N](#) [8880A](#) [S4D300-AR34-17](#) [S2E250-AE31-08](#) [AD0405HB-G73\(9T\)](#) [CENT-2000-](#)
[FFTM](#)