



AC axial fans

Series 4000ZU 119 x 119 x 38 mm



Highlights:

- High air flow and minimal noise level
- Aerodynamically shaped, driven by shaded pole motor
- External rotor dynamically balanced in two planes
- Fans can run at 50 or 60 Hz
- Air exhaust over struts
- Overload protection, maintenance-free continuous operation
- Ingress protection rating of IP68

Material: Housing: metal
 Impeller: metal
 Blades: metal

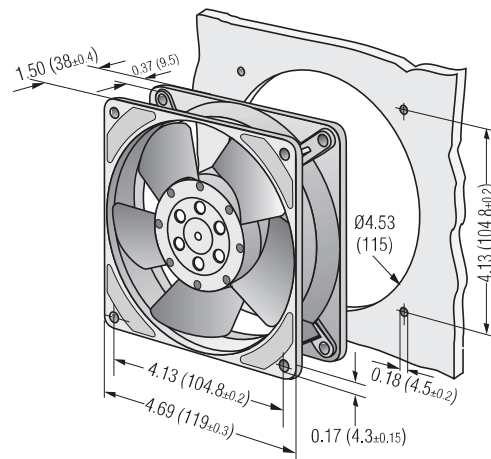
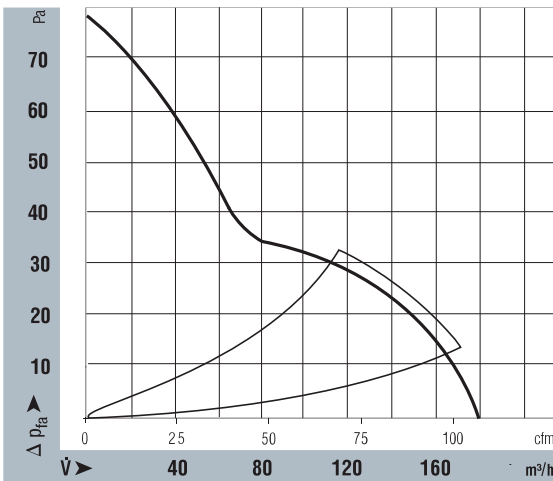
- Electrical connection via 2 leads AWG 22, TR 64, UL Style 1007
 4656ZWU: 310mm long / 4606ZWU-879: 770 mm long

Direction of rotation: Clockwise, seen on rotor

Nominal Data	Air flow	Nominal voltage	Sound pressure level	Sound power level	Ball bearings	Power input	Speed (1)	Temperature range (1)	Mass	Ingress Protection Rating	UL Approval
	CFM	VDC	dB(A)	Bel(A)		Watts	RPM	°C	g		
4656ZWU	105.8	230	44	5.6	Yes	17	3,100	-40...85	540	IP68	Yes
4606ZWU-879	105.9	115	45	5.6	Yes	18	3,100	-40...85	560	IP68	Yes

(1) Nominal data at maximum load. Data listed in this table is measured with a power frequency of 60Hz.

Curves: Airflow at 60 Hz



X-ON Electronics

Largest Supplier of Electrical and Electronic Components

Click to view similar products for [AC Fans](#) category:

Click to view products by [ebm papst](#) manufacturer:

Other Similar products are found below :

[G9225S05B2-FSR](#) [A2D200-AA04-41](#) [A2E165-AA17-01](#) [AD0912HB-A7BGL](#) [1500-FAN-01](#) [25.001.1856.0](#) [25.320.1353.1](#) [25.320.4753.1](#)
[25.320.5453.1](#) [25.330.1353.1](#) [25.330.4853.1](#) [25.330.5153.1](#) [25.330.5353.1](#) [25.340.1053.1](#) [25.350.5253.0](#) [25.600.4053.0](#) [272DL-2LP11-000](#)
[A2D210-AB10-05](#) [A2D240-AA02-02](#) [A2D250-AE22-06](#) [A2E170-AF23-01](#) [F1238S24BT-FSR](#) [23241-3](#) [25.000.1856.0](#) [25.000.2056.0](#)
[25.010.1856.0](#) [25.332.2453.1](#) [25.340.0453.1](#) [25.345.5353.0](#) [281DS-2LP11-000B](#) [281DY-1LP14-000B](#) [298DM-2LP11-000](#) [298DS-2LP11-](#)
[000A](#) [344DY-1LP11-000](#) [39.703.0253.0](#) [USTF1203224VHW](#) [3G2C7MC224](#) [W2S130-AA03-43](#) [W2S130-AA25-97](#) [8856N](#) [A4D315-AC20-](#)
[02](#) [A2E170-AF23-11](#) [W2S130-AB03-09](#) [8550A](#) [8560N](#) [8880A](#) [S4D300-AR34-17](#) [S2E250-AE31-08](#) [AD0405HB-G73\(9T\)](#) [CENT-2000-](#)
[FFTM](#)