

4000Z Series cont. Tubeaxial

119x119x38mm

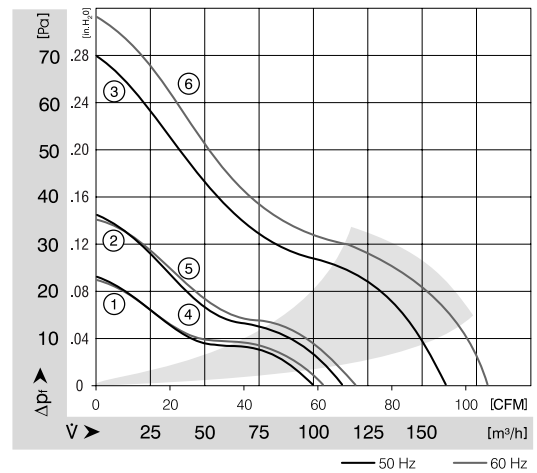
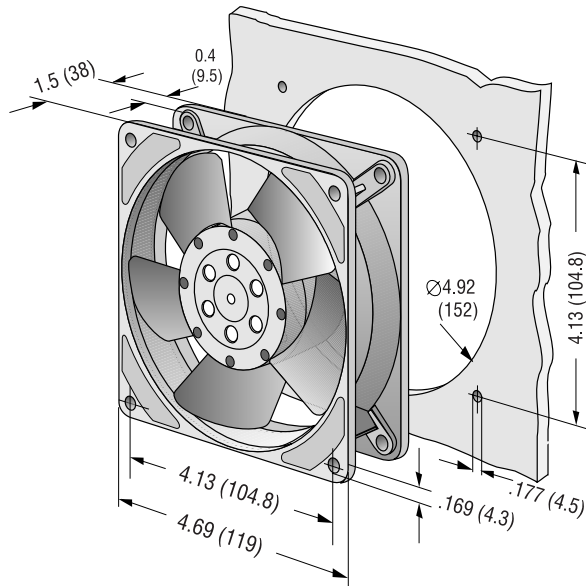


- AC fans with external rotor shaded-pole motor. Impedance protected against overloading.
- Metal fan housing and impeller.
- Air exhaust over struts. Rotational direction CW looking at rotor.
- Mounting from either face using four 4.3 mm holes.
- Electrical connection: Terminals with 2 flat pins 2.8 x 0.5 mm.
- Fan housing with ground lug for screw M4 and UNC.
- UL, CSA, VDE approvals on some models, please contact application engineering.

Part Number	Curve	CFM @ 0	VAC	Hertz	Power (W)	dBA	Max. Amb. Temp C	Bearing Type	Speed (RPM)	Features	Wgt. (lbs)
4850Z	1	58.9	230	50	13	26	65	Sintec	1700	Terminals	1.19
4850ZW	1	58.9	230	50	13	26	65	Sintec	1700	Leads	1.19
4856Z	1	58.9	230	50	13	26	75	Ball	1700	Terminals	1.19
4580Z	2	67.7	230	50	13	30	65	Sintec	1900	Terminals	1.19
4580ZW	2	67.7	230	50	13	30	65	Sintec	1900	Leads	1.19
4586Z	2	67.7	230	50	13	30	75	Ball	1900	Terminals	1.19
4650Z	3	94.2	230	50	19	40	50	Sintec	2650	Terminals	1.19
4650ZW	3	94.2	230	50	19	40	50	Sintec	2650	Leads	1.19
4656Z	3	94.2	230	50	19	40	75	Ball	2650	Terminals	1.19
4656ZW	3	94.2	230	50	19	40	75	Ball	2650	Leads	1.19
4590ZW	2	67.7	115/230	50/60	12	30	65	Sintec	1900	Leads	1.19

Available on request:

- Electrical connection via 2 single leads 310 mm long.



X-ON Electronics

Largest Supplier of Electrical and Electronic Components

Click to view similar products for [AC Fans](#) category:

Click to view products by [ebm papst](#) manufacturer:

Other Similar products are found below :

[G9225S05B2-FSR](#) [A2D200-AA04-41](#) [A2E165-AA17-01](#) [AD0912HB-A7BGL](#) [1500-FAN-01](#) [25.001.1856.0](#) [25.320.1353.1](#) [25.320.4753.1](#)
[25.320.5453.1](#) [25.330.1353.1](#) [25.330.4853.1](#) [25.330.5153.1](#) [25.330.5353.1](#) [25.340.1053.1](#) [25.350.5253.0](#) [25.600.4053.0](#) [272DL-2LP11-000](#)
[A2D210-AB10-05](#) [A2D240-AA02-02](#) [A2D250-AE22-06](#) [A2E170-AF23-01](#) [F1238S24BT-FSR](#) [23241-3](#) [25.000.1856.0](#) [25.000.2056.0](#)
[25.010.1856.0](#) [25.332.2453.1](#) [25.340.0453.1](#) [25.345.5353.0](#) [281DS-2LP11-000B](#) [281DY-1LP14-000B](#) [298DM-2LP11-000](#) [298DS-2LP11-](#)
[000A](#) [344DY-1LP11-000](#) [39.703.0253.0](#) [USTF1203224VHW](#) [3G2C7MC224](#) [W2S130-AA03-43](#) [W2S130-AA25-97](#) [8856N](#) [A4D315-AC20-](#)
[02](#) [A2E170-AF23-11](#) [W2S130-AB03-09](#) [8550A](#) [8560N](#) [8880A](#) [S4D300-AR34-17](#) [S2E250-AE31-08](#) [AD0405HB-G73\(9T\)](#) [CENT-2000-](#)
[FFTM](#)