



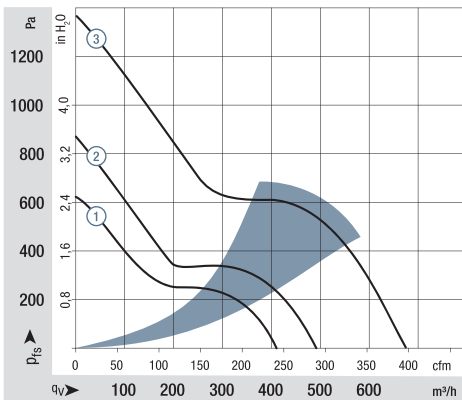
- **Material:** Housing: Die-cast aluminium
Impeller: GRP¹⁾ (PA)
 - **Direction of air flow:** Intake over struts
 - **Direction of rotation:** Counter-clockwise, seen on rotor
 - **Connection:** Via single wires AWG 20 and AWG 22, TR 64
 - **Highlights:** Highly efficient and smoothly running 3-phase fan drive
 - **Mass:** 900 g
- **Possible special versions:**
(See chapter DC fans - specials)
 - Speed signal
 - Go- / NoGo-alarm
 - Alarm with limit speed
 - External temperature sensor
 - Internal temperature sensor
 - PWM control input
 - Analog control input
 - Multi-option control input
 - Humidity protection
 - Salt fog protection
 - Degree of protection: IP 54 / IP 68

1) Fibreglass-reinforced plastic

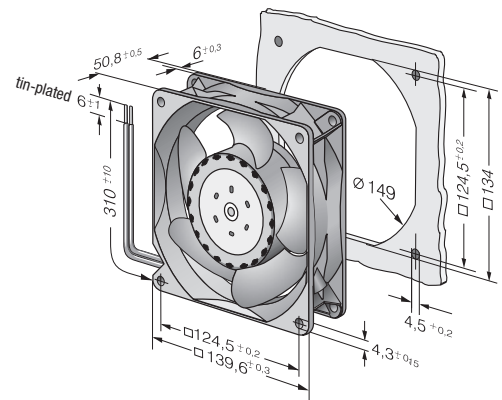
Series 5300 TD																										
Nominal data	Air flow		Nominal voltage		Voltage range		Sound pressure level		Sound power level		Sinter sleeve bearings		Input power*		Nominal speed		Temperature range		Service life L ₁₀ (40 °C)		Service life L ₁₀ (T _{max})		Life expectancy L ₁₀ (IP)C		Curve	
	Type	m ³ /h	cfm	VDC	VDC	dB(A)	Bel(A)	□/■	Watts	rpm	°C	Hours	Hours	Hours	Hours	Hours	Hours	Hours	Hours	Hours	Hours	Hours	Hours	Hours	Hours	Hours
5312/2 TDHP	410	241	12	8...16	70	7,7	■	43	6 000	-20...+70	70 000 / 35 000	117 500	①													
5314/2 TDHP	410	241	24	16...36	70	7,7	■	42	6 000	-20...+70	70 000 / 35 000	117 500	①													
5314/2 TDHHP	490	288	24	16...36	75	8,1	■	67	7 000	-20...+70	62 500 / 30 000	105 000	②													
5318/2 TDHP	410	241	48	36...72	70	7,7	■	42	6 000	-20...+70	70 000 / 35 000	117 500	①													
5318/2 TDHHP	490	288	48	36...72	75	8,1	■	66	7 000	-20...+70	62 500 / 30 000	105 000	②													
5318/2 TDH4P	670	394	48	36...72	79	8,8	■	149	9 200	-20...+65	57 500 / 32 500	97 500	③													

Subject to alterations

Speed control range from 1000 rpm up to maximum speed. Standstill at 0 % PWM, maximum speed if control wire is interrupted.
* Input power at free air flow, these values can be significantly higher in the operating point.



Air performance measured as per: ISO 5801, Installation category A, without accidental contact.
Noise: Total sound power level L_{WA} ISO 103002 measured on half-sphere of 2 m;
Sound pressure level L_{PA} measured at 1 m distance to fan axis.
The acoustic values are only valid for the described measurement set-up and may vary depending on the installation situation.
In case of any deviation to the standard setup, the values have to be checked and reviewed once installed or fitted.
For detailed information see <http://www.ebmpapst.com/general-conditions>



X-ON Electronics

Largest Supplier of Electrical and Electronic Components

Click to view similar products for [DC Fans](#) category:

Click to view products by [ebm papst](#) manufacturer:

Other Similar products are found below :

[614R](#) [AUB0612L](#) [AFB0948HH-S687](#) [G2E085-AA05-10](#) [4318/12T](#) [AUB0912H-F00](#) [3412N/2ME](#) [W2G110-AM39-01](#) [8412GLV](#) [8412NGL-12](#) [6448-384](#) [4114N/17-251](#) [622/2N](#) [4318/2R](#) [4412F/2D](#) [424JMU](#) [4414/2HH](#) [4112 N/12GL-175](#) [9GA0912F402](#) [9GA0812B20011](#)
[AFB0824SHBAV1](#) [DV5214/2NP-230](#) [9GA0912H4021](#) [THC1548MGDJJ](#) [GFB1224SHG](#) [8500NU](#) [DC0401012V2B-3T0](#) [7F.20.9.024.3100](#)
[ASFP12391](#) [ASFP12392](#) [ASFP80372](#) [ASFP92391](#) [MF92251V3-1000U-G99](#) [3254J/2HPU](#) [9A0612G402](#) [AD5012HB-C71](#) [AD5012MB-C71](#)
[ASFP84372](#) [ASFP64372](#) [026758A](#) [3258J/2H3PU????](#) [412/2H](#) [4292](#) [MF60152V1-1000U-G99](#) [3610KL-04W-B50-D00](#) [109P0412K3023](#)
[EE92251B1-000U-F99](#) [8218J/2H4P](#) [PE60251B1-000U-G99](#) [PF60381B1-000U-S99](#)