

QLN65AC Series Crossflow Blower

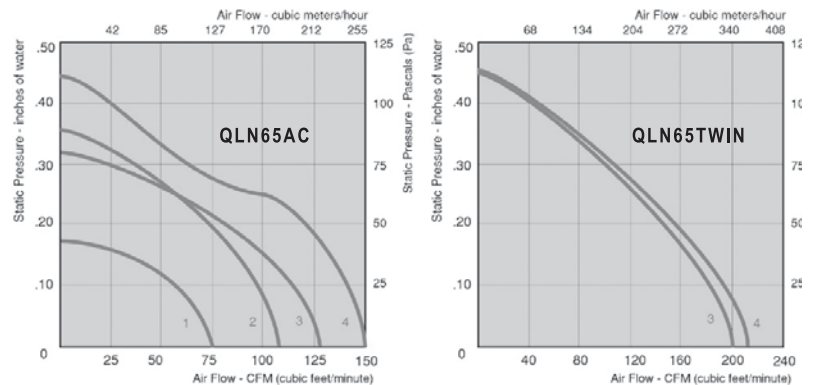
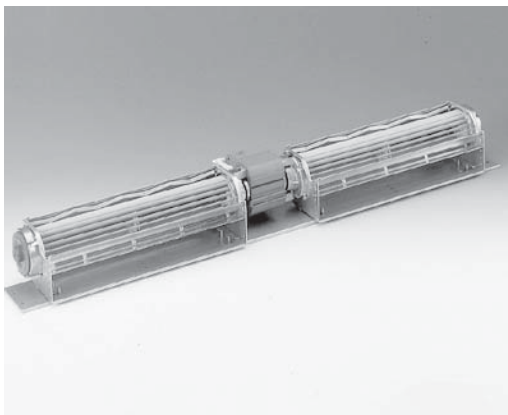
120... 300mm x Ø 65mm

- AC blower with shaded pole motor with sleeve bearings and terminals. Max ambient temperature of 60 C.
- High volume and performance already at a low air velocity, therefore low noise level.
- Fan propeller of aluminum and air duct housing of sheet steel.
- Rotational direction CW looking at rotor.
- UL, CSA, VDE approvals on some models. Please contact application engineering

Part Number	Model Number	Curve	CFM @ 0	VAC	Hertz	Power (W)	dBA	Motor Position	Bobbin Position	Insul. Class
55416.17070	QLN650012A112524L50KX	1	75	115	60	39	49	Left	Front	B
55416.17090	QLN650012A132524LH66RV	1	75	115	60	39	49	Left	Up	H
55416.25130	QLN651800A193030L139ZR	2	110	115	60	46	49	Right	Front	B
55416.25170	QLN651800A253030LH85ABZ	2	110	115	60	46	49	Right	Front	H
55416.27070	QLN650018A203030L167ZR	2	110	115	60	46	49	Left	Front	B
55416.27080	QLN650018A243030LH81ABZ	2	110	115	60	46	49	Left	Front	H
55416.30031	QLN652400A43030L139ZS	3	127	115	60	56	46	Right	Front	B
55416.30130	QLN652400A203030LH85ACW	3	127	115	60	56	46	Right	Front	H
55416.32021	QLN650024A53030L167ZS	3	127	115	60	56	46	Left	Front	B
55416.32080	QLN652424A33045L51DM	3	127	115	60	56	46	Left	Front	H
55416.35031	QLN653000A33045L48DL	4	150	115	60	66	49	Right	Front	B
55416.37070	QLN650030A153045LH60NI	4	150	115	60	66	49	Left	Front	H
<hr/>										
55416.30109	QLN652400A283045LH65UG	3	127	230	50	56	46	Right	Front	F
<hr/>										
55416.35070	QLN653000A103045L48DV	-	155-144	220/240	50/60	54/58	49	Right	Down	B

QLN65TWIN Series

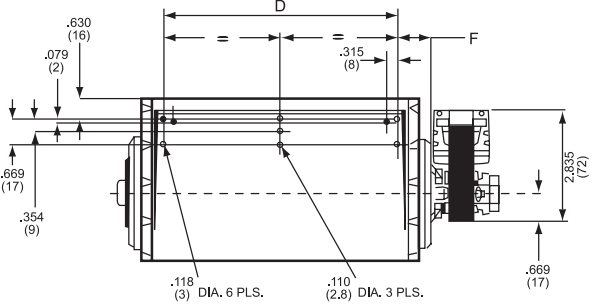
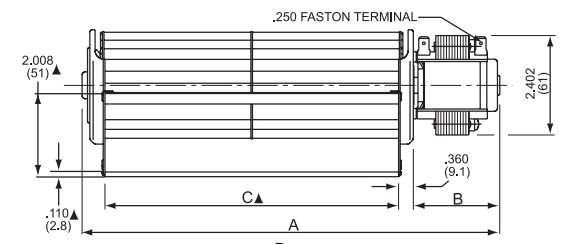
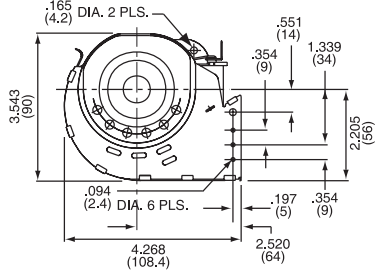
55416.29080	QLN651818A83045LH69UH	3	200	115	60	80	49	Center	Back	B
55416.34090	QLN652424A93045LH69UH	4	215	115	60	80	47	Center	Back	B



QLN65AC Series Mechanical Data Crossflow Blower

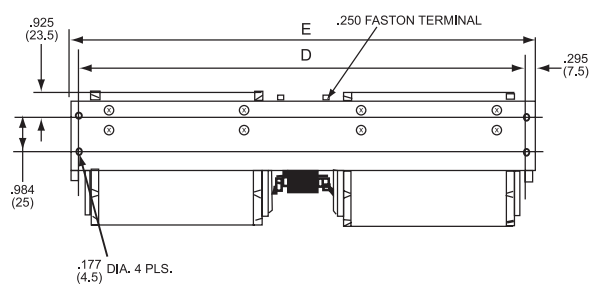
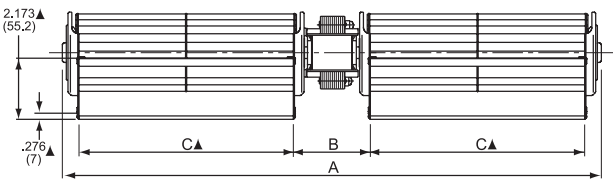
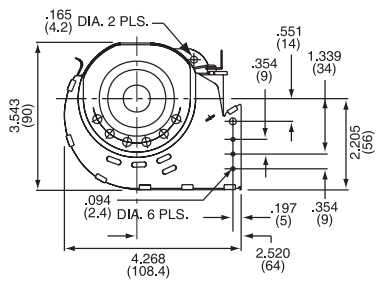
120... 300mm x Ø 65mm

Part Number	Motor Position	A		B		C		D		E		F	
		inch	mm	inch	mm	inch	mm	inch	mm	inch	mm	inch	mm
QLN65/0018-A203030L167ZR QLN65/0018-A243030LH81ABZ QLN65/1800-A193030L139ZR QLN54/1800-A253030LH86ABZ	Left Left Right Right	10.67	271	2.52	64	7.09	180	6.06	154	N/A	N/A	0.55	14
QLN65/0024-A53030L167ZS QLN65/2400-A43030L139ZS QLN65/2400-A283045LH65UG QLN65/3400-A20303LH85ACW	Left Right Right Right	13.03	331	2.52	64	9.45	240	8.35	212	N/A	N/A	0.59	15
QLN65/0030-A153045LH60NI QLN54/3000-A33045L48DL QLN54/3000-A10345L48DV	Left Right Right	15.98	406	3.11	76	11.81	300	10.71	272	N/A	N/A	0.59	15
QLN65/1212-3038L	Middle	14.21	361	3.31	84	2x4.72	2x120	13.58	345	14.17	360	N/A	N/A
QLN65/1818-3045L	Middle	19.25	489	3.64	92.5	2x7.09	2x180	18.58	472	19.13	486	N/A	N/A
QLN65/2424-A33045L51DM	Middle	23.82	605	3.64	92.5	2x9.45	2x240	23.07	586	23.66	601	N/A	N/A



Dimensions: inches (mm)
▲ Dimension denotes air outlet

QLN65TWIN Series



All data subject to change without notice



e-mail: sales@us.ebmpapst.com · TEL: 860-674-1515 · FAX: 860-674-8536
 ebm-papst Inc., 100 Hyde Road, Farmington, CT 06034 USA
 ebm-papst Inc., 2004 © ebm-papst Inc. reserves the right to change any specifications or data without notice

X-ON Electronics

Largest Supplier of Electrical and Electronic Components

Click to view similar products for [AC Fans](#) category:

Click to view products by [ebm papst](#) manufacturer:

Other Similar products are found below :

[M2E068-DF13-79](#) [F1238H24B-FHR](#) [8850A](#) [G9225S05B2-FSR](#) [A2D200-AA04-41](#) [A2E165-AA17-01](#) [R2D140-AB02-14](#) [R4D310-AS18-01](#)
[R4D400-AD22-06](#) [R4E180-AS11-09](#) [AD0912HB-A7BGL](#) [25.001.1856.0](#) [25.320.1153.1](#) [25.320.1353.1](#) [25.320.4753.1](#) [25.320.5453.1](#)
[25.330.1353.1](#) [25.330.4853.1](#) [25.330.5153.1](#) [25.330.5353.1](#) [25.340.1053.1](#) [25.350.5253.0](#) [25.600.4053.0](#) [272DL-2LP11-000](#) [S2E250-AL06-](#)
[70](#) [A2D210-AB10-05](#) [A2D240-AA02-02](#) [A2D250-AE22-06](#) [A2E170-AF23-01](#) [F1238S24BT-FSR](#) [25.000.1856.0](#) [25.000.2056.0](#)
[25.010.1856.0](#) [25.220.3953.1](#) [25.332.2453.1](#) [25.340.0453.1](#) [25.345.5353.0](#) [25.352.1853.0](#) [281DS-2LP11-000B](#) [281DY-1LP14-000B](#) [298DM-](#)
[2LP11-000](#) [298DS-2LP11-000A](#) [R2S150-AD08-09](#) [344DY-1LP11-000](#) [D2E146-CD51-09](#) [39.703.0253.0](#) [USTF1203224VHW](#)
[3G2C7MC224](#) [W2D300-CP02-48](#) [W2E300-DA01-52](#)