



QLK45DC Series Crossflow Blower

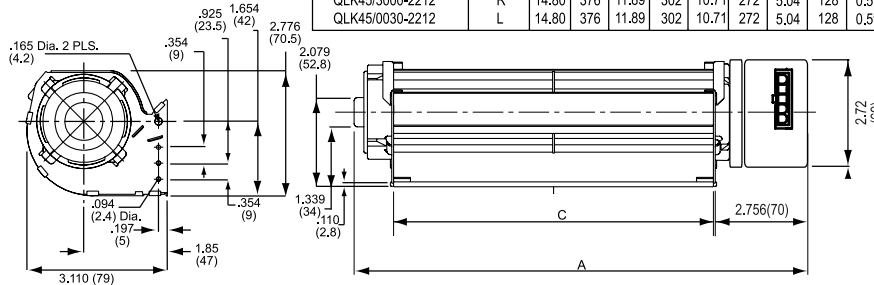
120... 300mm x Ø 45mm Impeller

- Crossflow blowers with electronically commutated EC-motors.
- Integrated electronics
- Protection class IP20, insulation class F.
- Permissible ambient temperature 0-60° C.
- Minimum order quantity may apply.

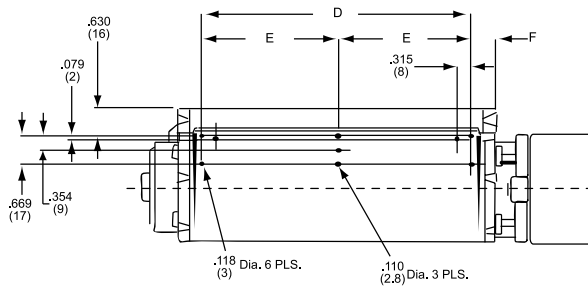
Part Number	Model Number	Motor Position (L/R)	VDC	Airflow (CFM)*	Max. Static Pressure (Pa)	Power Input (W)*	Speed* (RPM)	Weight (lbs.)	Insulation Class
55668.00000	QLK45/1200-2212	R	24	47	95	7	2,250	1.4	F
55668.00010	QLK45/0012-2212	L	24	47	95	7	2,250	1.4	F
55668.02010	QLK45/1800-2212	R	24	65	80	8	2,050	1.5	F
55668.02020	QLK45/0018-2212	L	24	65	80	8	2,050	1.5	F
55668.04010	QLK45/2400-2212	R	24	94	90	10	2,050	1.7	F
55668.04020	QLK45/0024-2212	L	24	94	90	10	2,050	1.7	F
55668.06010	QLK45/3000-2212	R	24	112	75	11	1,900	1.8	F
55668.06020	QLK45/0030-2212	L	24	112	75	11	1,900	1.8	F

* Data based on free delivery conditions. Subject to alterations.

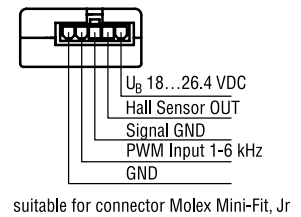
Model Number	Motor Position	A		C		D		E		F	
		inch	mm	inch	mm	inch	mm	inch	mm	inch	mm
QLK45/1200-2212	R	7.72	196	4.80	122	3.70	94	n/a	n/a	0.55	14
QLK45/0012-2212	L	7.72	196	4.80	122	3.70	94	n/a	n/a	0.55	14
QLK45/1800-2212	R	10.08	256	7.17	182	6.06	154	2.72	69	0.55	14
QLK45/0018-2212	L	10.08	256	7.17	182	6.06	154	2.72	69	0.55	14
QLK45/2400-2212	R	12.44	316	9.53	242	8.35	212	3.86	98	0.59	15
QLK45/0024-2212	L	12.44	316	9.53	242	8.35	212	3.86	98	0.59	15
QLK45/3000-2212	R	14.80	376	11.89	302	10.71	272	5.04	128	0.59	15
QLK45/0030-2212	L	14.80	376	11.89	302	10.71	272	5.04	128	0.59	15



Dimensions: inches (mm)



All data subject to change without notice



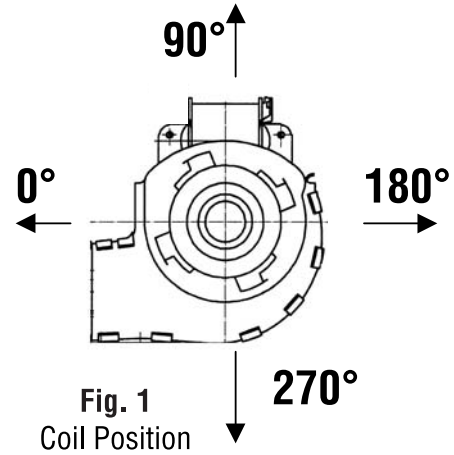
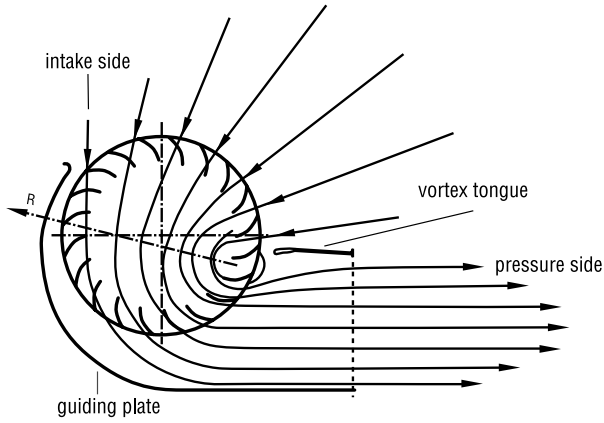
e-mail: sales@us.ebmpapst.com - TEL: 860-674-1515 - FAX: 860-674-8536

ebm-papst Inc., 100 Hyde Road, Farmington, CT 06034 USA

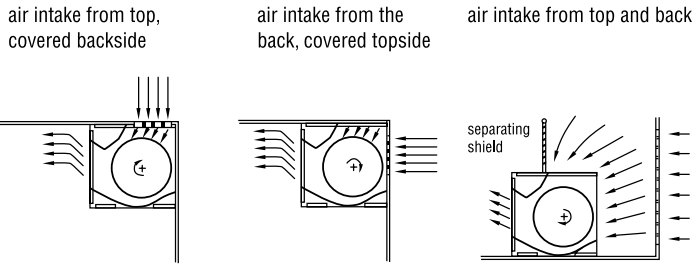
ebm-papst Inc., 2006 © ebm-papst Inc. reserves the right to change any specifications or data without notice

Crossflow Blower Installation Recommendations

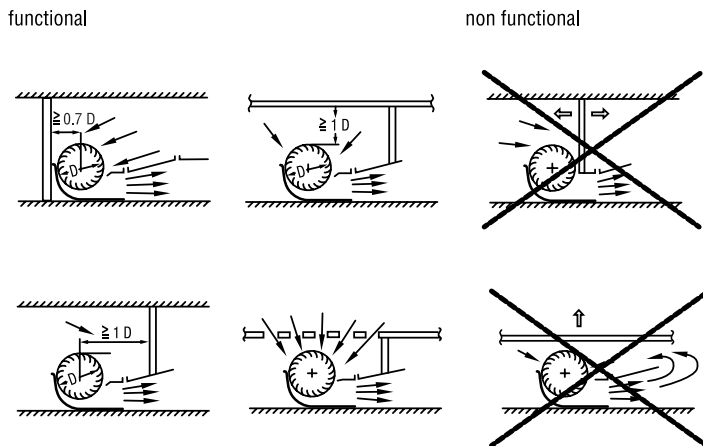
Vortex stream through tangential blower



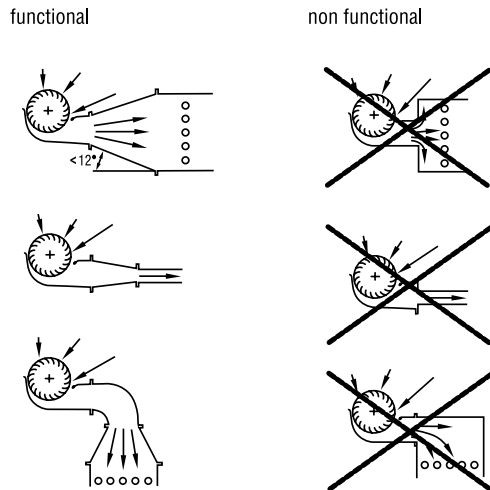
Mounting conditions for QL 4 series



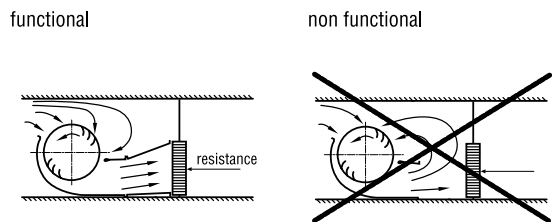
Mounting conditions on intake side QLK, QLZ, QLN



Mounting conditions on pressure side QLK, QLZ, QLN



Separation of suction and pressure area



X-ON Electronics

Largest Supplier of Electrical and Electronic Components

Click to view similar products for [ebm papst](#) manufacturer:

Other Similar products are found below :

[01505-4-6711](#) [02001-4-1021](#) [026758A](#) [03749-2-4039](#) [04013-2-4039](#) [07100-36](#) [07145-24](#) [09325G](#) [09415-2-4039](#) [09418-2-4039](#) [09490-2-4039](#) [09494-2-4039](#) [09496-2-4039](#) [09503-2-4039](#) [09532-2-4039](#) [09576-2-4013](#) [09609-2-4013](#) [100-00-0013](#) [10016-1-5170](#) [10017-1-5170](#) [10020-1-5170](#) [10021-1-5170](#) [10023-1-5170](#) [10024-1-5170](#) [10638-4-1040](#) [1247-4-6254](#) [1433-4-6711](#) [1434-4-6711](#) [1434-4-6711-1](#) [1434-4-6711-3](#) [1434-4-6711-80](#) [145185H](#) [1505-4-6711](#) [19112-2-4039](#) [19114-2-4039](#) [19115-2-4039](#) [19699-2-4039](#) [2001-4-1021](#) [20993.45098](#) [20999.45099](#) [2100-4-7320](#) [2101-4-7320](#) [2103-4-7320](#) [21487-1-0174](#) [21490-1-0174](#) [21490-1-0174A](#) [2151-4-7320](#) [2155-4-7320](#) [2156-4-7320](#) [2159-4-7320](#)