



QLN65DC Series Crossflow Blower

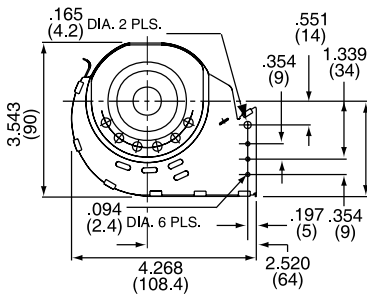
120... 180mm x Ø 65mm Impeller

- Crossflow blowers with electronically commutated EC-motors.
- Integrated electronics
- Protection class IP20, insulation class F.
- Permissible ambient temperature 0-60° C.
- Minimum order quantity may apply.

Part Number	Model Number	Motor Position (L/R)	VDC	Airflow (CFM)*	Max. Static Pressure (Pa)	Power Input (W)*	Speed* (RPM)	Weight (lbs.)	Insulation Class
55668.40000	QLN65/1200-2212	R	24	94	125	14	2,200	1.7	F
55668.40010	QLN65/0012-2212	L	24	94	125	14	2,200	1.7	F
55668.42030	QLN65/1800-2212	R	24	124	110	16	1,850	1.8	F
55668.42040	QLN65/0018-2212	L	24	124	110	16	1,850	1.8	F

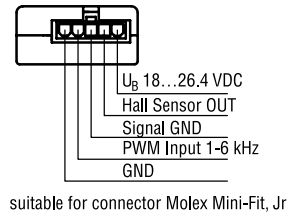
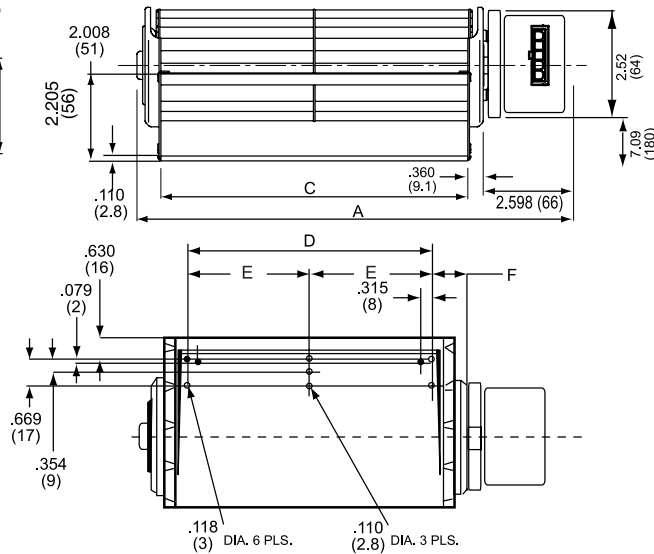
* Data based on free delivery conditions. Subject to alterations.

Model Number	Motor Position	A		C		D		E		F	
		inch	mm	inch	mm	inch	mm	inch	mm	inch	mm
QLN65/1200-2212	R	7.72	196	4.80	122	3.70	94	n/a	n/a	0.87	22.2
QLN65/0012-2212	L	7.72	196	4.80	122	3.70	94	n/a	n/a	0.87	22.2
QLN65/1800-2212	R	10.47	266	7.17	182	6.06	154	3.03	77	0.87	22.2
QLN65/0018-2212	L	10.47	266	7.17	182	6.06	154	3.03	77	0.87	22.2



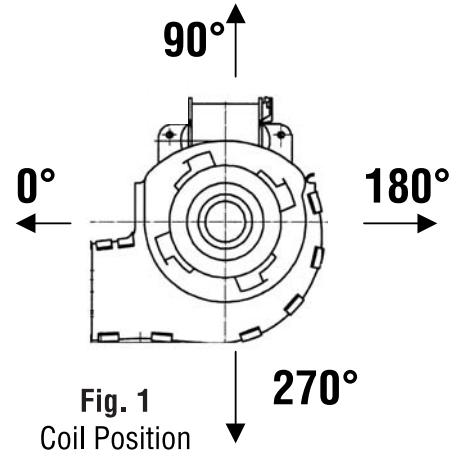
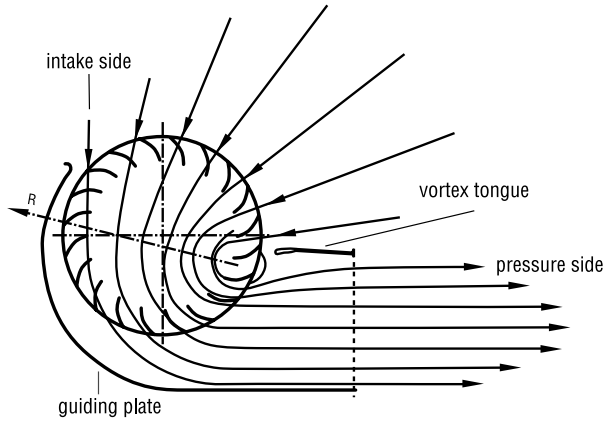
Dimensions: inches (mm)

All data subject to change without notice

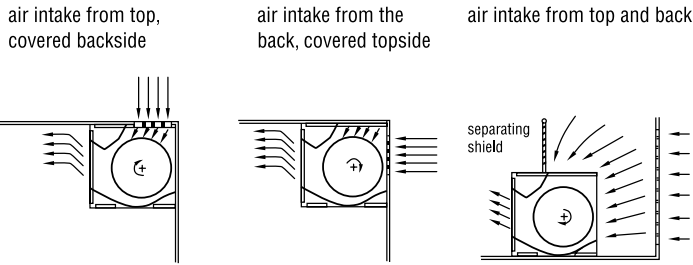


Crossflow Blower Installation Recommendations

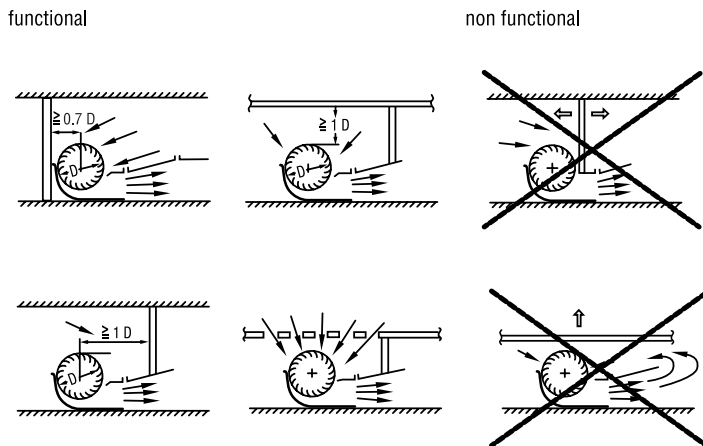
Vortex stream through tangential blower



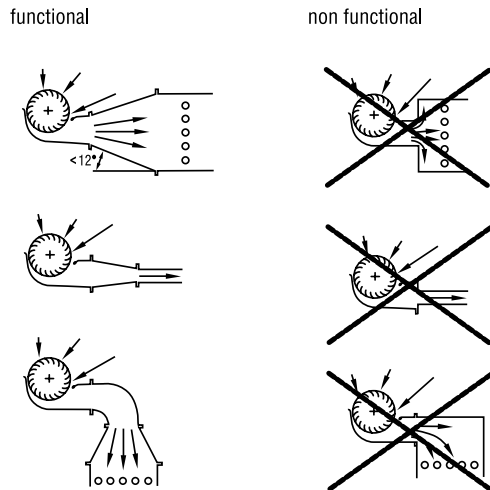
Mounting conditions for QL 4 series



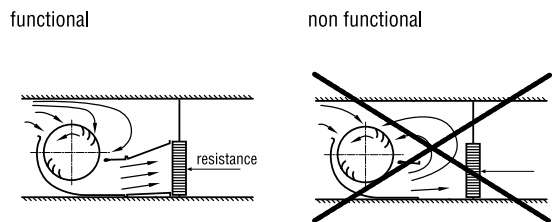
Mounting conditions on intake side QLK, QLZ, QLN



Mounting conditions on pressure side QLK, QLZ, QLN



Separation of suction and pressure area



X-ON Electronics

Largest Supplier of Electrical and Electronic Components

Click to view similar products for [ebm papst](#) manufacturer:

Other Similar products are found below :

[3312M](#) [M4Q045-DA05-E4](#) [4114N](#) [8218J/2H3](#) [W1G200-EA95-68](#) [DV6248U](#) [6224NT](#) [M4Q045-CA03-75](#) [M4Q045-CF01-75](#) [D2E133-DM27-D8](#) [8314S](#) [8506A](#) [G2E140-AL30-48](#) [R1G225-AG15-11](#) [R2D270-AB12-09](#) [R2E190-RA50-21](#) [R2E225-BD40-21](#) [R3G310-AL09-30](#) [R4E400-AP15-10](#) [REF100-11/14](#) [RER160-28/56S](#) [9496-2-4039-1](#) [A2D240-AA02-10](#) [A2D250-AA06-52](#) [G2E120-FV56-16](#) [G2E160-AY47-57](#) [G2S085-AA19-15](#) [QR06A-2/106349](#) [R1G250-AQ21-52](#) [R2E180CH0312](#) [R2E225-AT51-14](#) [R2E225-BD92-36](#) [R3G175-AF25-02](#) [LZ27](#) [RG125-19/12N/2](#) [RH31M-6/104372](#) [RH56M-6/204689](#) [3800](#) [RLF100-11/18](#) [D1G133-DC17-52](#) [D2E097-BI56-48](#) [55416.30320](#) [3314U](#) [D4E180-BA04-18](#) [4112NHH](#) [412/2H-048](#) [412FH-132](#) [W2E300-CP02-37](#) [W4D350-CA06-14](#) [422JM](#)