



QLK45DC Series Crossflow Blower

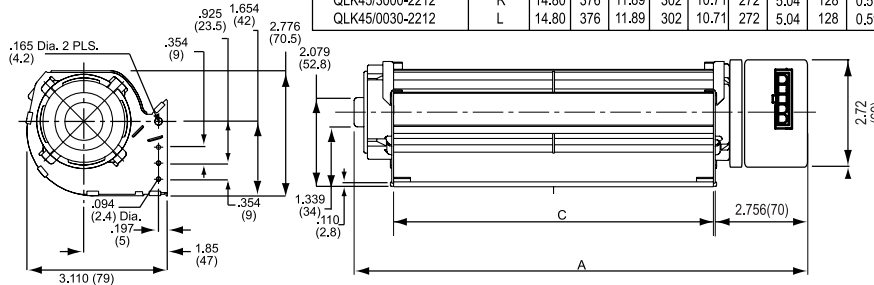
120... 300mm x Ø 45mm Impeller

- Crossflow blowers with electronically commutated EC-motors.
- Integrated electronics
- Protection class IP20, insulation class F.
- Permissible ambient temperature 0-60° C.
- Minimum order quantity may apply.

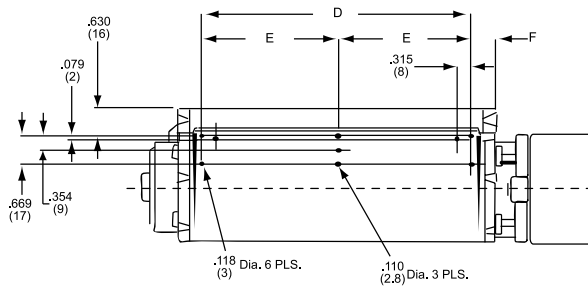
Part Number	Model Number	Motor Position (L/R)	VDC	Airflow (CFM)*	Max. Static Pressure (Pa)	Power Input (W)*	Speed* (RPM)	Weight (lbs.)	Insulation Class
55668.00000	QLK45/1200-2212	R	24	47	95	7	2,250	1.4	F
55668.00010	QLK45/0012-2212	L	24	47	95	7	2,250	1.4	F
55668.02010	QLK45/1800-2212	R	24	65	80	8	2,050	1.5	F
55668.02020	QLK45/0018-2212	L	24	65	80	8	2,050	1.5	F
55668.04010	QLK45/2400-2212	R	24	94	90	10	2,050	1.7	F
55668.04020	QLK45/0024-2212	L	24	94	90	10	2,050	1.7	F
55668.06010	QLK45/3000-2212	R	24	112	75	11	1,900	1.8	F
55668.06020	QLK45/0030-2212	L	24	112	75	11	1,900	1.8	F

* Data based on free delivery conditions. Subject to alterations.

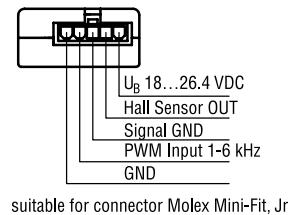
Model Number	Motor Position	A		C		D		E		F	
		inch	mm	inch	mm	inch	mm	inch	mm	inch	mm
QLK45/1200-2212	R	7.72	196	4.80	122	3.70	94	n/a	n/a	0.55	14
QLK45/0012-2212	L	7.72	196	4.80	122	3.70	94	n/a	n/a	0.55	14
QLK45/1800-2212	R	10.08	256	7.17	182	6.06	154	2.72	69	0.55	14
QLK45/0018-2212	L	10.08	256	7.17	182	6.06	154	2.72	69	0.55	14
QLK45/2400-2212	R	12.44	316	9.53	242	8.35	212	3.86	98	0.59	15
QLK45/0024-2212	L	12.44	316	9.53	242	8.35	212	3.86	98	0.59	15
QLK45/3000-2212	R	14.80	376	11.89	302	10.71	272	5.04	128	0.59	15
QLK45/0030-2212	L	14.80	376	11.89	302	10.71	272	5.04	128	0.59	15



Dimensions: inches (mm)

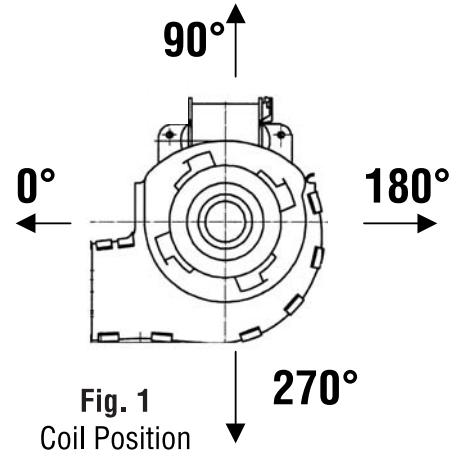
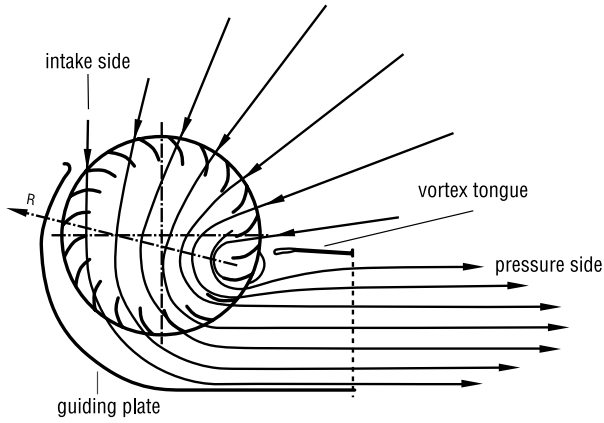


All data subject to change without notice

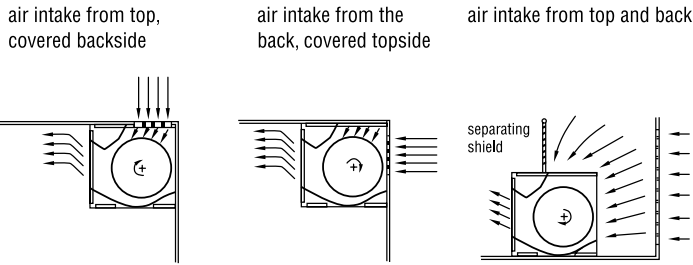


Crossflow Blower Installation Recommendations

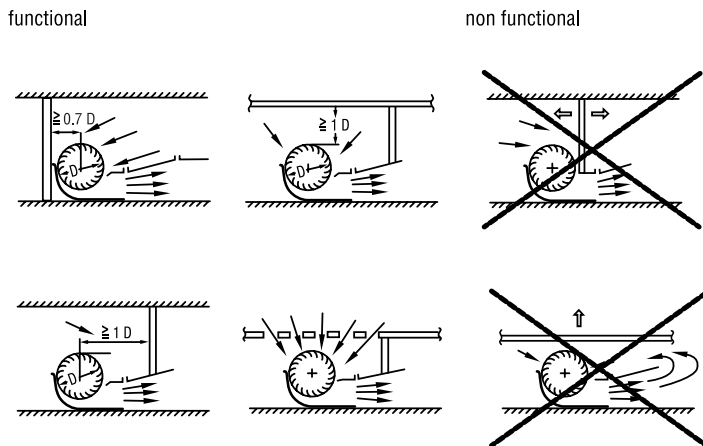
Vortex stream through tangential blower



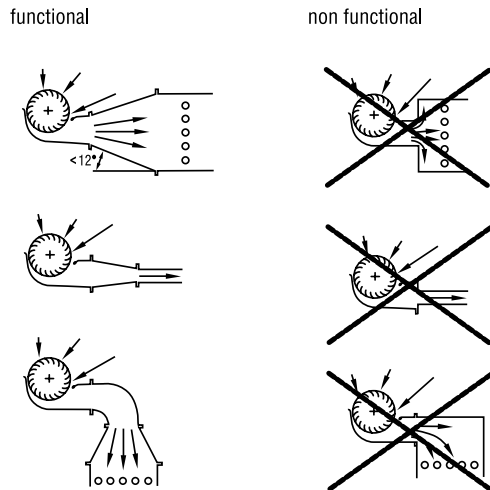
Mounting conditions for QL 4 series



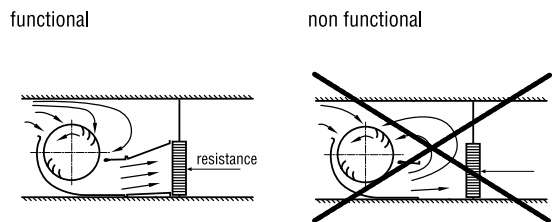
Mounting conditions on intake side QLK, QLZ, QLN



Mounting conditions on pressure side QLK, QLZ, QLN



Separation of suction and pressure area



X-ON Electronics

Largest Supplier of Electrical and Electronic Components

Click to view similar products for [Blowers & Centrifugal Fans](#) category:

Click to view products by [ebm papst](#) manufacturer:

Other Similar products are found below :

[MKEL-DRB](#) [R2D140-AB02-14](#) [R2D160-AC02-13](#) [R4D310-AS18-01](#) [R4D400-AD22-06](#) [R4E180-AS11-09](#) [R4S175-AA16-12](#) [AIF60112](#)
[AIF801724](#) [RLF35-812N2P-103](#) [DOP-EXI014RAE](#) [BR300W400](#) [KFB1724VHT-AF00](#) [KFC1048DS-S45D](#) [AIF641714](#) [CME-COP01](#)
[R1G220-AB07-09](#) [R2E180CH0312](#) [R2S150-AD08-09](#) [RD20S-4/210660](#) [RH56M-6/204689](#) [D2E146-CD51-09](#) [TP04G-AS2](#) [TP05G-BT2](#)
[TP-PCC](#) [BR200W250](#) [D4E133-AA01-51](#) [D4E133-DH61-D1](#) [DFD0612H/SPECTRA](#) [DOP-EXI028RAE](#) [55462.19890](#) [K1G200-AA73-02](#)
[G2D160-AF02-01](#) [G2E150-BA52-07](#) [G2S150-AB56-42](#) [D4E225-BC01-02](#) [R2D225-AV02-14](#) [D2E146-HT67-63](#) [K1G220-AA67-02](#)
[55462.19140](#) [G2E140-AG02-05](#) [R3G190-AB23-02](#) [55410.91750](#) [55462.19891](#) [G3G160-AC70-01](#) [R1G120-AD17-11](#) [R3G250-AM70-01](#)
[R2E225-RA02-47](#) [RER225-63/18/2TDMP](#) [R4E310-AO12-14](#)