

612N/2GH DC Axial Fan

25mm compact low profile fan with high air flow value and minimum noise level. The DC drive employs an electronically commutated external rotor motor with high efficiency. Drive electronics is completely integrated into the fan hub.



Features

- Electronic protection against reverse polarity, blocking and overloading.
- Extremely low EMI.
- Electrical connection via 3 leads AWG 24, TR 64.

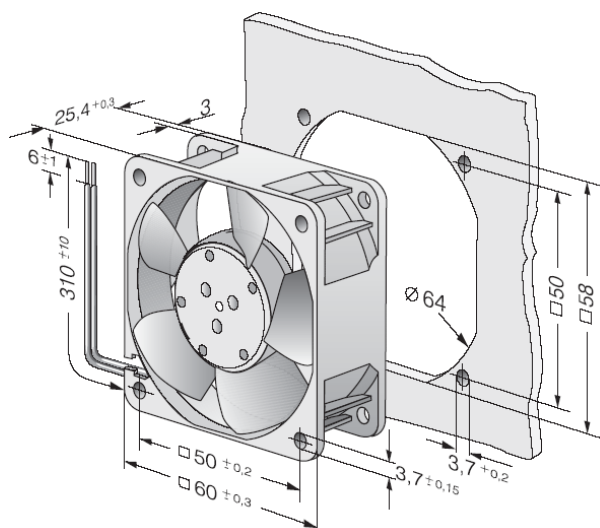
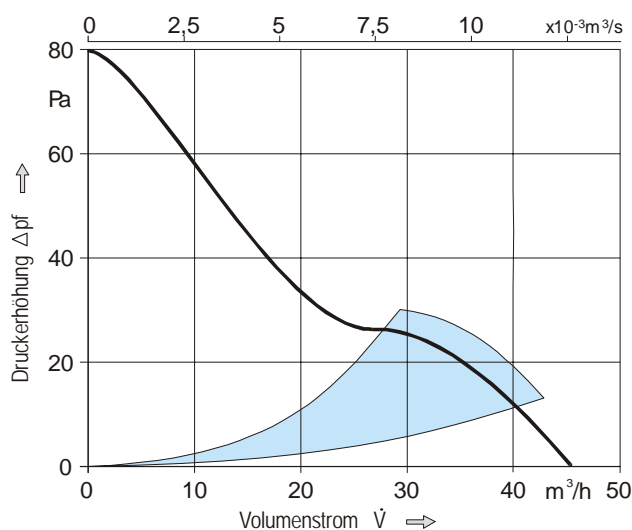
DBPe and DBPe registered

General Data

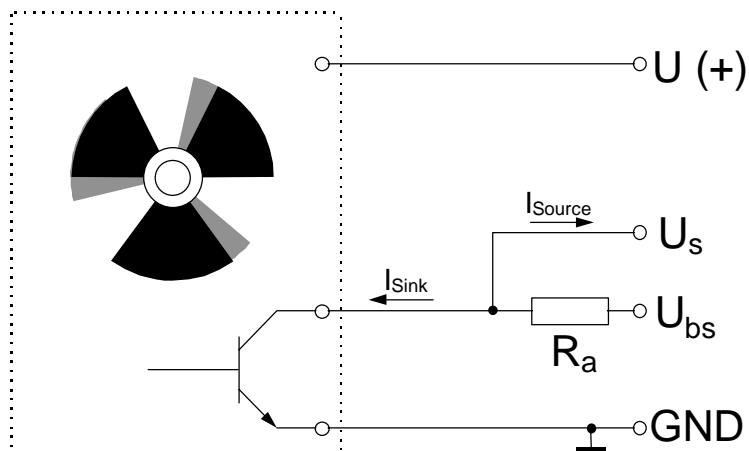
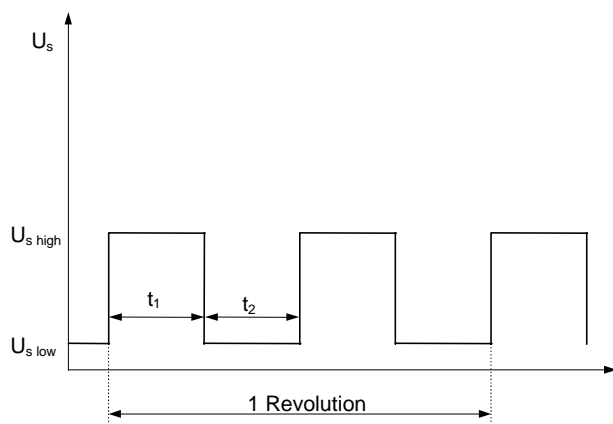
Nominal voltage	V DC	12
Voltage range	V DC	8...15
Nominal speed	min ⁻¹	5600
Max. flow rate	m ³ /h	46
Max. flow rate	CFM	27
Noise free air	dB(A)	38
Current consumption	mA	200
Power consumption	W	2,4
Permanent ambient temperature	°C	-20 ... +70
Service life (70 °C)	h	35.000
Service life (40 °C)	h	70.000
Approvals	UL, CSA, VDE	
Fan housing / impeller	PBTP / PA 6.6	
Bearing system	Sleeve bearing	
Mass	g	85

All data are average figures at nominal voltage

Subject to technical change



Tacho Signal "/2"



U (+)	Supply Voltage
U _s	Tacho Signal
U _{bs}	Sensor Supply Voltage
GND	Ground (-)
R _a	External Pull-Up Resistor

$$R_a = \frac{U_{bs} - U_{slow}}{I_{sink}}$$

Output	2 pulses per revolution
U _{bs}	4...30 VDC
U _{s high}	4...30 VDC at I _{source} = 0 mA
U _{s low}	<= 0,4 VDC at I _{sink} = 2 mA
I _{sink max}	= 4 mA
t ₁ / t ₂	0,8 - 1,2

X-ON Electronics

Largest Supplier of Electrical and Electronic Components

Click to view similar products for [DC Fans](#) category:

Click to view products by [ebm papst](#) manufacturer:

Other Similar products are found below :

[614R](#) [AUB0612L](#) [AFB0948HH-S687](#) [G2E085-AA05-10](#) [4318/12T](#) [AUB0912H-F00](#) [3412N/2ME](#) [W2G110-AM39-01](#) [8412GLV](#) [8412NGL-12](#) [6448-384](#) [4114N/17-251](#) [622/2N](#) [4318/2R](#) [4412F/2D](#) [424JMU](#) [4414/2HH](#) [4112 N/12GL-175](#) [9GA0912F402](#) [9GA0812B20011](#) [AFB0824SHBAV1](#) [DV5214/2NP-230](#) [9GA0912H4021](#) [THC1548MGDJJ](#) [GFB1224SHG](#) [8500NU](#) [DC0401012V2B-3T0](#) [3254J/2HPU](#) [9A0612G402](#) [AD5012HB-C71](#) [AD5012MB-C71](#) [EF92251S3-1000U-A99](#) [PF80251B3-000U-Q99](#) [026758A](#) [3258J/2H3PU????](#) [412/2H](#) [4292](#) [MF60152V1-1000U-G99](#) [3610KL-04W-B50-D00](#) [EE92251B1-000U-G99](#) [8218J/2H4P](#) [4318NN](#) [4318NH3](#) [4314NL](#) [4312NM](#) [MITX-CORE-HTSNK](#) [ME45101V1-000U-A99](#) [OD1238-24HBIP55](#) [4312NHH](#) [612N/2GH](#)