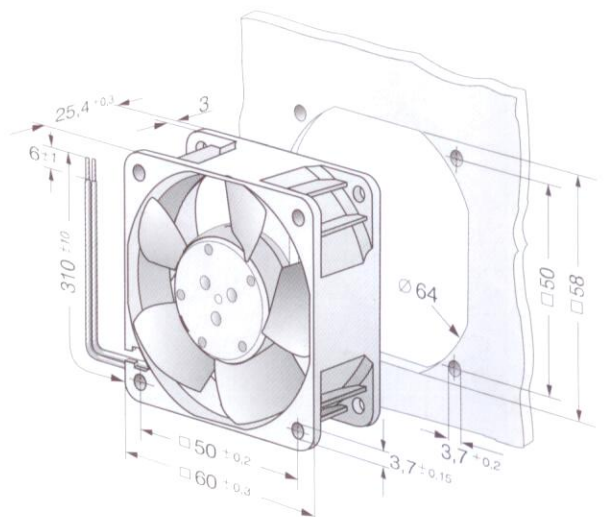
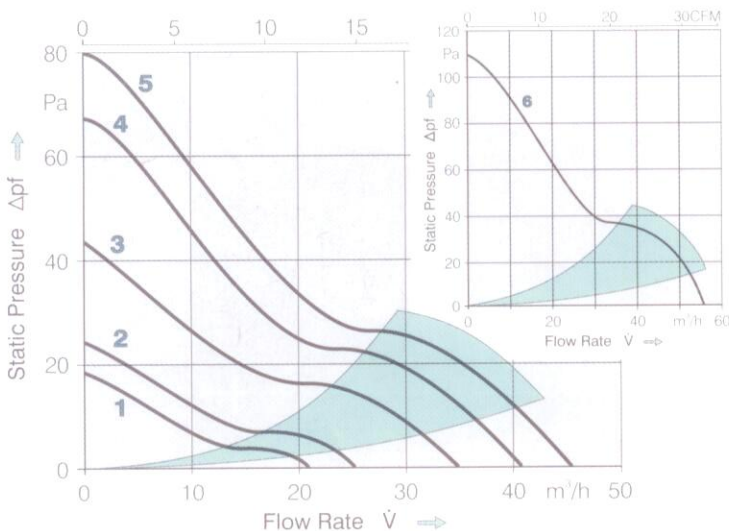


- DC fans with electronically commutated external rotor motor. Fully integrated commutation electronics.
- With electronic protection against reverse polarity, blocking and overloading.
- Fan of fibreglass reinforced plastic. PBTP housing, PA impeller.
- Air exhaust over struts. Rotational direction CW looking at rotor.
- Electrical connection via 2 leads AWG 22, TR 64. Stripped and tinned ends.
- Mass 85 g.

Series 600N

60 x 60 x 25 mm

Air flow	Air flow	Nominal Voltage	Voltage Range	Noise		Sinter-Sleeve Bearings	Ball Bearings	Power Input	Nominal Speed	Temperature Range	Service Life L_{10}	at t_{max}	Curve	Type	Specials
m ³ /h	CFM	V DC	V DC	dB(A)	bels	□/■	Watt	min ⁻¹	°C	Hours	Hours				Page
21	12.4	12	8...15	16	3.6	□	0.7	2500	-20...+70	80000/40000	1	612	NGL		
21	12.4	12	8...15	16	3.6	■	0.6	2500	-20...+70	80000/40000	1	612	NL		
25	14.7	12	8...15	19	3.9	□	0.9	3000	-20...+70	80000/40000	2	612	NGML		
25	14.7	12	8...15	19	3.9	■	0.8	3000	-20...+70	80000/40000	2	612	NML		
35	20.6	12	8...15	28	4.6	□	1.3	4100	-20...+70	80000/40000	3	612	NGM		
35	20.6	12	8...15	28	4.6	■	1.1	4100	-20...+70	80000/40000	3	612	NM		
42	24.7	12	8...15	35	5.2	■	1.6	5100	-20...+70	70000/35000	4	612	NN		
46	27.1	12	8...15	38	5.5	■	2.0	5600	-20...+70	70000/35000	5	612	NH		
21	12.4	24	18...28	16	3.6	□	1.0	2500	-20...+70	80000/40000	1	614	NGL		
21	12.4	24	18...28	16	3.6	■	0.9	2500	-20...+70	80000/40000	1	614	NL		
25	14.7	24	18...28	19	3.9	□	1.2	3000	-20...+70	80000/40000	2	614	NGML		
25	14.7	24	18...28	19	3.9	■	1.0	3000	-20...+70	80000/40000	2	614	NML		
35	20.6	24	18...28	28	4.6	□	1.7	4100	-20...+70	80000/40000	3	614	NGM	60	
35	20.6	24	18...28	28	4.6	■	1.4	4100	-20...+70	80000/40000	3	614	NM	58	
42	24.7	24	18...28	35	5.2	■	1.8	5100	-20...+70	70000/35000	4	614	NN		
46	27.1	24	18...26	38	5.5	■	2.1	5600	-20...+70	70000/35000	5	614	NH		
56	33.0	24	18...26	43	6.3	■	3.0	6850	-20...+70	60000/30000	6	614	NHH		
42	24.7	48	36...56	35	5.2	■	2.1	5100	-20...+65	70000/40000	4	618	NN	60	



X-ON Electronics

Largest Supplier of Electrical and Electronic Components

Click to view similar products for [AC Fans](#) category:

Click to view products by [ebm papst](#) manufacturer:

Other Similar products are found below :

[M2E068-DF13-79](#) [F1238H24B-FHR](#) [8850A](#) [G9225S05B2-FSR](#) [A2D200-AA04-41](#) [A2E165-AA17-01](#) [R2D140-AB02-14](#) [R4D310-AS18-01](#)
[R4D400-AD22-06](#) [R4E180-AS11-09](#) [AD0912HB-A7BGL](#) [25.001.1856.0](#) [25.320.1153.1](#) [25.320.1353.1](#) [25.320.4753.1](#) [25.320.5453.1](#)
[25.330.1353.1](#) [25.330.4853.1](#) [25.330.5153.1](#) [25.330.5353.1](#) [25.340.1053.1](#) [25.350.5253.0](#) [25.600.4053.0](#) [272DL-2LP11-000](#) [S2E250-AL06-](#)
[70](#) [A2D210-AB10-05](#) [A2D240-AA02-02](#) [A2D250-AE22-06](#) [A2E170-AF23-01](#) [F1238S24BT-FSR](#) [25.000.1856.0](#) [25.000.2056.0](#)
[25.010.1856.0](#) [25.220.3953.1](#) [25.332.2453.1](#) [25.340.0453.1](#) [25.345.5353.0](#) [25.352.1853.0](#) [281DS-2LP11-000B](#) [281DY-1LP14-000B](#) [298DM-](#)
[2LP11-000](#) [298DS-2LP11-000A](#) [R2S150-AD08-09](#) [344DY-1LP11-000](#) [D2E146-CD51-09](#) [39.703.0253.0](#) [USTF1203224VHW](#)
[3G2C7MC224](#) [W2D300-CP02-48](#) [W2E300-DA01-52](#)