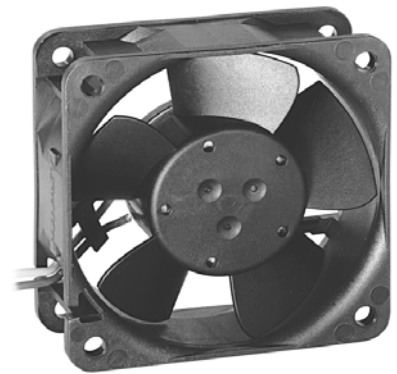


614NHHU-199 DC Axial Fan



25mm compact low profile fan with high air flow value and minimum noise level. The DC drive employs an electronically commutated external rotor motor with high efficiency. Drive electronics is completely integrated into the fan hub.

Features

- Electronic protection against reverse polarity, blocking and overloading.
- Extremely low EMI.
- Electrical connection via 2 leads AWG 22 (255mm) and AMP connector.
 - Housing: 0-104257-1
 - Contacts: 0-166500-2
- IP54 protected
- Performance curve 6

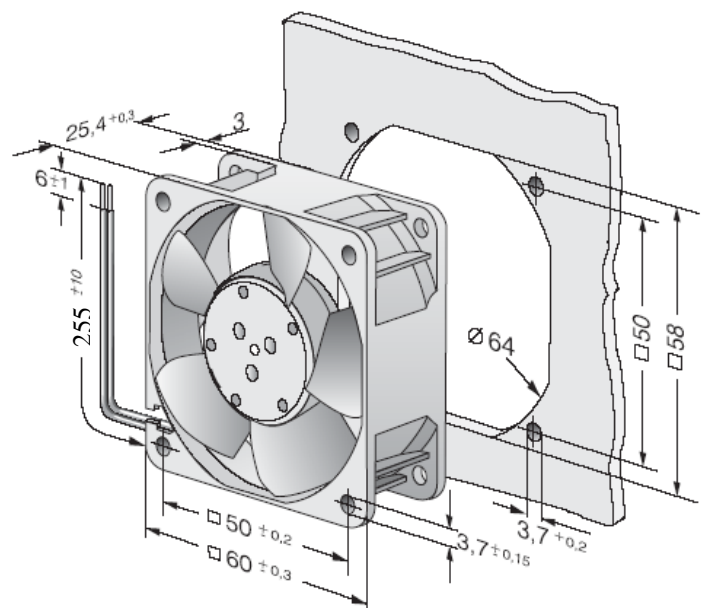
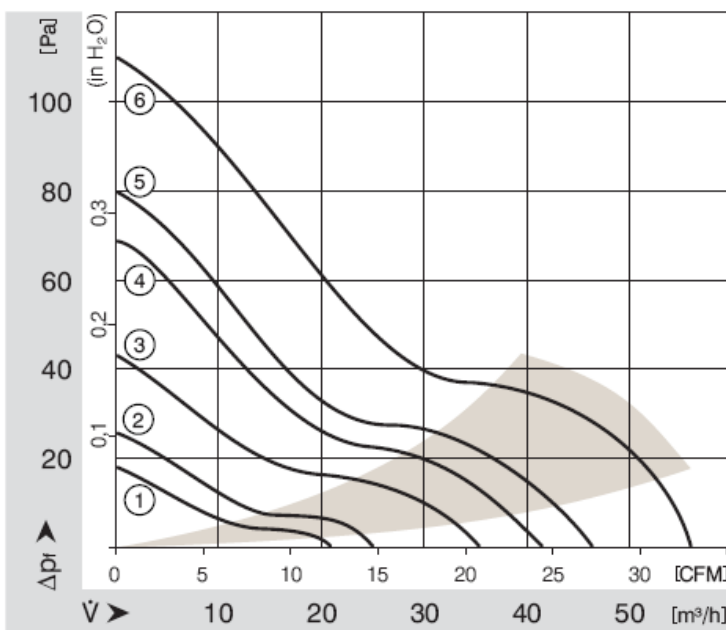
Patents granted or applied for.

General Data

Nominal voltage	V DC	24
Voltage range	V DC	18...26
Nominal speed	min ⁻¹	6850
Max. flow rate	m ³ /h	56
Max. flow rate	CFM	33
Noise free air	dB(A)	43
Current consumption	mA	120
Power consumption	W	2,9
Permanent ambient temperature	°C	-20 ... +70
At max. voltage		
Service life (70 °C)	h	30.000
Service life (40 °C)	h	60.000
Approvals		UL, CSA, VDE
Fan housing / impeller		PBTP / PA 6.6
Bearing system		Ball bearing
Mass	g	85

All data are average values at nominal voltage

Subject to technical change



X-ON Electronics

Largest Supplier of Electrical and Electronic Components

Click to view similar products for [DC Fans](#) category:

Click to view products by [ebm papst](#) manufacturer:

Other Similar products are found below :

[614R](#) [AUB0612L](#) [AFB0948HH-S687](#) [G2E085-AA05-10](#) [4318/12T](#) [AUB0912H-F00](#) [3412N/2ME](#) [W2G110-AM39-01](#) [8412GLV](#) [8412NGL-12](#) [6448-384](#) [4114N/17-251](#) [622/2N](#) [4318/2R](#) [4412F/2D](#) [424JMU](#) [4414/2HH](#) [4112 N/12GL-175](#) [9GA0912F402](#) [9GA0812B20011](#)
[AFB0824SHBAV1](#) [DV5214/2NP-230](#) [9GA0912H4021](#) [THC1548MGDJJ](#) [GFB1224SHG](#) [8500NU](#) [DC0401012V2B-3T0](#) [7F.20.9.024.3100](#)
[ASFP12391](#) [ASFP12392](#) [ASFP80372](#) [ASFP92391](#) [MF92251V3-1000U-G99](#) [3254J/2HPU](#) [9A0612G402](#) [AD5012HB-C71](#) [AD5012MB-C71](#)
[ASFP84372](#) [ASFP64372](#) [026758A](#) [3258J/2H3PU????](#) [412/2H](#) [4292](#) [MF60152V1-1000U-G99](#) [3610KL-04W-B50-D00](#) [109P0412K3023](#)
[EE92251B1-000U-F99](#) [8218J/2H4P](#) [PE60251B1-000U-G99](#) [PF60381B1-000U-S99](#)