

# Compact fans for AC, DC and EC

Version 2019-04

**ebmpapst**

the engineer's choice



# Trendsetter in fan technology

*Uncompromising quality made by ebm-papst*



## **Among the best.**

Trendsetting with innovative technologies. Listening to customers' needs. Developing new ideas to meet requirements and realizing them with pioneering spirit. This philosophy has made ebm-papst the leading technology pioneer in the world of fans.

A brand in that decades of application expertise gained from large-volume fan production and because we are in a position to produce highly efficient quality products. Our intelligent solutions for electronics cooling make sure that you are always one step ahead of the competition thanks to innovative, reliable, top-quality technology. Of course they are readily available at fair market prices.

And if required, tailor-made right down to the last detail. In other words, if you need fans that do not yet actually exist, contact us.

Insist on ebm-papst.

# Table of contents

<b>Information</b>			
– About ebm-papst	4	– Fan Check	187
– Expertise and technology	6	– Protected fans, degree of protection: IP 54 / IP 68	188
– Tailor-made	8	<b>ACmaxx / EC axial fans</b>	191
– Optional special designs	10	– ACmaxx axial fans	196
– Types of fans	11	– GreenTech EC tubeaxial fans	200
– Selecting the correct fan	12	– Energy-saving axial fans	204
– Fan installation	13	– EC axial fans	206
– Service life	15	– ACmaxx in-line duct fans	210
– Definitions	16	<b>AC axial fans</b>	215
– Standard test equipment to determine the fan characteristics	17	– Axial fans	218
– Type code	18	<b>AC centrifugal fans</b>	243
<b>DC axial fans</b>	23	– Centrifugal fans	246
– Axial fans	29	<b>Accessories</b>	253
<b>DC centrifugal fans</b>	91	– Finger guards	254
– Centrifugal fans	95	– Filter fan guards	264
– Tangential fans	148	– Air inlet grill	267
– Centrifugal fans and blowers	150	– Inlet rings	268
<b>DC fans - specials</b>	175	– Connection cables	270
– Speed signal	178	– Handheld programmer	271
– Alarm signal	180	– Accessory parts	272
– Speed setting	184	– Connection diagrams	273
		<b>Agents worldwide</b>	282



# About ebm-papst.

*As technological leader for ventilation and drive engineering, ebm-papst is in demand as an engineering partner in many industries. With over 20,000 different products, we provide the right solution for just about any challenge. Our fans and drives are reliable, quiet and energy-efficient.*

## **Six reasons that make us the ideal partner:**

### **Our systems expertise.**

You want the best solution for every project. The interrelationships between ventilation and drive engineering must thus be considered as a whole. And that's what we do – with **motor technology** that sets standards, sophisticated **electronics** and **aerodynamic designs** – all from a single source and perfectly matched. These system solutions release unique synergies worldwide. And in particular – they relieve you of a lot of work, so that you can concentrate on your core competency.

### **The ebm-papst spirit of invention.**

In addition to our wide range of products, we are always able to develop customized solutions for you. A diversified team of 600 engineers and technicians works at our three locations in Germany: Mulfingen, Landshut and St. Georgen. Contact us to discuss your next project.

### **Our lead in technology.**

As pioneer and trail-blazer for developing highly efficient EC technology, we are way ahead of other motor manufacturers. Almost all our products are also available with GreenTech EC technology. The list of benefits is long: higher efficiency, maintenance-free, longer service life, sound reduction, intelligent control characteristics and unrivalled energy efficiency with savings of up to 80 % compared to conventional AC technology. Let our technology be your competitive advantage as you lead in your industry.

### **Closeness to our customers.**

ebm-papst has 25 production locations worldwide (including facilities in Germany, China and the USA), together with 49 sales offices, each of which has a dense network of sales representatives. You will always have a local contact, someone who speaks your language and knows your market.

### **Our standard of quality.**

Of course you can rely on the highest standards of quality with our products. Our quality management is uncompromising, at every step in every process. This is underscored by our certification according to international standards including DIN EN ISO 9001 and DIN EN ISO 14001.

### **Our sustainable approach.**

Assuming responsibility for the environment, for our employees and for society is an integral part of our corporate philosophy. We develop products with an eye to maximum environmental compatibility, in particular resource-preserving production methods. We promote environmental awareness among our young staff and are actively involved in sports, culture and education. That's what makes us a leading company – and an ideal partner for you.

## The story of our success to market and technology pioneer.

- 1963** Founding of **Elektrobau Mulfingen GmbH & Co. KG** by Gerhard Sturm and Heinz Ziehl.
- 1965** First tubeaxial fan developed in EC/DC technology.
- 1966** ebm-papst's success takes off with the new 68 motor.
- 1972** The first ebm-papst foreign subsidiary is established in Sweden.
- 1988** Gerhard Sturm is awarded the Federal Cross of Merit.
- 1990** The sixty-millionth external-rotor fan is produced.
- 1992** Acquisition of **PAPST Motoren GmbH** in St. Georgen.
- 1997** Buyout of the **Landshut (mvl)** plant.
- 1998** Development of first fans with integrated electronics.
- 2003** Change of name to **ebm-papst**.
- 2008** The **HyBlade®** range of fans sets new efficiency standards.
- 2010** **GreenTech** – our sign for energy efficiency and resource preservation.
- 2011** **RadiCal** defines a new standard for EC centrifugal fans.
- 2013** ebm-papst takes over the gearbox specialist Zeitlauf and wins the **German Sustainability Award**.
- 2014** Team partnership with Mercedes AMG PETRONAS Formula 1 team.
- 2015** **RadiPac** pushes the limits of efficiency.
- 2016** **S-Panther** – the consistent development of the S-Forces series.
- 2017** **Factory expansions Germany**: logistics center in Hollenbach and new production unit in St. Georgen.



# Expertise and technology

## Drive know-how

For the past 60 years, all conceivable types and applications of drive engineering have played an essential role at ebm-papst. A commitment that is the foundation for the development of optimum drive solutions regardless of the type of fan and its use. DC and EC fans are generally equipped with electronically commutated external rotor motors. In order to save as much space as possible, commutation electronic components are integrated in the hub of the fan. Our AC fans are driven mainly by shaded-pole or capacitor motors based on the external rotor principle. In the 3900 and 9900 range of particularly slim fans, internal rotor motors are used.

## Smooth operation

Our aerodynamically optimized design and high mechanical precision produces outstanding noise properties in series production. The "soft" commutation electronics of DC and EC fans produce a very smooth operation. By avoiding steep switching edges when the individual coils are switched, this reduces the structure-borne noise from the motor. Computer-aided measurements and series of analyses performed in a state-of-the-art sound measuring chamber are conducted on each fan model from the very beginning.

## Long service life

The bearing system plays a vital role both in the long service life and the smooth operation of device fans. The Sintec compact bearing provides most of the device fans with a proven bearing system. Constant low noise during the entire operating time and considerably lower shock sensitivity are the outstanding features of this bearing technology. In addition, with regard to temperature endurance, Sintec compact bearings can be used without problems in most applications.

Despite the slightly greater noise and shock sensitivity of ball bearings, this bearing technology should be given preference for fans exposed to extreme thermal and adverse application conditions (e.g. extreme environmental conditions, critical installation position, etc.). The service life data provided in this catalog is based on extensive service life tests and mathematically / scientifically proven service life calculations. Our product descriptions are updated continuously with all relevant data obtained from long-term tests.





### Aerodynamics

With the aid of state-of-the-art computer programs, we are able to optimize the fan impellers and the inner shape of the housing. Air output and available motor performance are matched exactly to the size of fan. This guarantees the low noise that is typical for ebm-papst, even at high back pressure.

### Sturdy construction – in metal or plastic

Fans of all-metal construction: sturdy and resistant. The housing is made of an aluminum alloy. The metal surfaces that are subject to corrosion are permanently protected by an impact- and abrasion-resistant electrophoretic baked enamel. This particular version is very recyclable. Fans with fiberglass-reinforced plastic housing and impeller: Excellent stability and low weight distinguish this highly efficient fan design. Combinations of metal housing and plastic impeller combine the advantages of both types of design.

### Product images

The dimensioned drawings and product photos that appear in the catalog are for orientation purposes and may differ in some details from the actual product design.

### Product liability

Motors and fans from ebm-papst are components intended for proper installation. The customer bears responsibility for the overall end product.

### Brand name PAPST

The PAPST mark is a registered trademark for ebm-papst products and is a synonym for compact fans of the highest quality, functionality and reliability for decades.

### Safety is included

It goes without saying that all ebm-papst fans conform to the approval requirements of the VDE (Association of German Electrical Engineers) and the standards and regulations of UL and CSA. All fans conform to the European Standard EN 60335 or EN 60950 plus those of the UL (Underwriters Laboratories) and CSA (Canadian Standards Association). With few exceptions, our DC fans are designed to meet the requirements of protection class 3 / protection class voltage. AC fans for protection class 1. ebm-papst fans meet the highest requirements of electrical safety. All design variants feature reverse polarity and locked-rotor protection.

### Quality in detail

It is the important details that reveal the meaning of the words "made by ebm-papst": Consistent adherence to development and design processes and a goal-oriented commitment to quality along the entire process chain are the foundation for the above-average service life of our fans. 100,000 hours and above are no longer an exception. The no-compromise ebm-papst quality assurance spans over all process levels – from the choice of materials and the use of carefully selected, certified suppliers, from the production of parts up to the final assembly. These details combine to result in reliable fan products with an above-average service life.

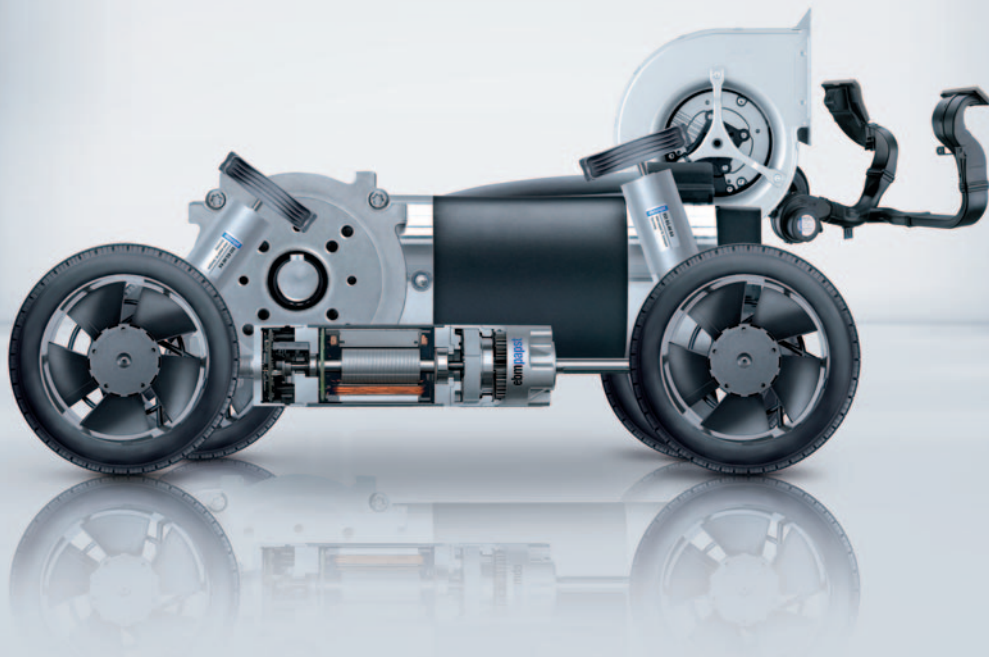
### ErP Directive

All products with power consumption between 125 W and 500 kW are subject to the European "Energy-related Products Directive" (ErP) for improving energy efficiency, with the first stage applicable from 2013 and the second as of 2015. Thanks to ground-breaking GreenTech EC technology, all of our fans and motors in these performance classes already exceed the ErP Directive today.

# Tailor-made to meet your special requirements

## **Practical applications: fans that are customized and smart**

*ebm-papst has always developed customer-specific smart fans that meet the exact requirements of the application. We provide a wide range of standard fan types, in many sizes and designs; with smart motor features, monitoring and control functions, as well as special designs for use under extreme conditions. They are all based on the standard type fans that you will find in this catalog. Special fan types for your application can be produced in economical batch sizes. Our expert engineers will assist you in selecting the right configuration.*





### **Innovation at its best:**

Vario-Pro® with "intelligence inside". Its programmed intelligence thanks to customer-specifically configured software modules makes the cooling of electronics even more economical and flexible. For example, temperature-dependent speed profiles are possible with a number of freely selectable interpolation points. External speed settings and a variety of combinable alarm and tachometer functions can also be programmed. The digital motor management achieves high control accuracy.

### **Higher degree of protection for every type of application**

ebm-papst provides, on request, many fan series in versions that meet to the requirements of degree of protection IP 54 and IP 68: Their stator and all electrical components are fully encapsulated. Stainless steel ball bearings can be used for operation in particularly aggressive media and use under extreme environmental conditions, thus providing additional reliability.

### **Almost anything is possible**

Regardless of your cooling and ventilation tasks, we will develop the right solution. And the most economical one. Based on the fans listed in this catalog, more than 4000 different versions are available.

### **Temperature-controlled fans**

Fans with temperature-controlled speed have particularly quiet cooling characteristics. Thanks to integrated IC technology, they adapt their speed to the current cooling requirements. The result is a drastic reduction of noise in most operating conditions. A temperature sensor provides the fan with thermal information: either externally via an exposed wire or integrated into the hub of the fan.

### **Speed setting via interfaces**

With a wide range of DC fans with separate control input, ebm-papst provides an alternative to the NTC-controlled types of fans. They are especially suitable for systems and units that already have standard interfaces for varying speed via internal switching and control circuits.

The main applications are units that require load-dependent, individual speed profiles or systems with minimum standby cooling requirements and varied speed increase at varying power peaks.

### **Electronic tachometer**

Do you want to be informed about the current fan speed at all times? ebm-papst has fans with an integrated "electronic tachometer". It registers the actual value of the fan speed. Via an integrated sensor, the fan generates speed-dependent signals that can be used directly. Depending on the number of poles of the motor, 2, 3, or 6 pulses per revolution are generated.

### **Alarm signal for greater safety**

If your application requires monitored fan operation, in addition to speed monitoring, ebm-papst also provides a multitude of varying alarm signals. Depending on the type of fan in question, the signal will either be static, already evaluated, or interface-compatible. The alarm signal output provides reliable long-term monitoring and a status signal if critical operating conditions arise.

### **S-Force**

When you need to provide extremely fast, powerful and efficient cooling for electronic components of all kinds, the generation of S-Force high-performance fans finishes first: in air performance, pressure increase, and technology. Extremely efficient drives and optimized aerodynamics form the core technology of the S-Force fans, which we offer in both an axial and centrifugal model.

### **S-Panther**

S-Panther power delivered quietly. Wherever there is need for power and reduced noise, fans from the S-Panther range are the right solution. A strong pressure saddle curve at optimum air flow provides the power of a real big cat, an S-Panther.

# Optional special versions

(see chapter DC fans - specials)

In the catalog, a text box in the upper right corner provides information on the special designs that are technically possible in the fan series.

Please note that these special versions are not possible for all voltages and speeds, and not in all combinations. The special versions are designed for specific customers and projects and are usually not available off the shelf.

max. 44 m <sup>3</sup> /h	<b>DC axial fans</b> □ 60 x 25 mm
	<ul style="list-style-type: none"><li>- <b>Material:</b> Housing: GRP<sup>1)</sup> (PBT) Impeller: GRP<sup>1)</sup> (PA)</li><li>- <b>Direction of air flow:</b> Exhaust over struts</li><li>- <b>Direction of rotation:</b> Clockwise, seen on rotor</li><li>- <b>Connection:</b> Via single wires AWG 22, TR 64</li><li>- <b>Highlights:</b> Developed for applications with demanding environmental requirements</li><li>- <b>Mass:</b> 70 g</li></ul>
	<ul style="list-style-type: none"><li>- <b>Possible special versions:</b> (See chapter DC fans - specials)<ul style="list-style-type: none"><li>- Speed signal</li><li>- Go- / NoGo-alarm</li><li>- Alarm with limit speed</li><li>- External temperature sensor</li><li>- PWM control input</li><li>- Analog control input</li><li>- Humidity protection</li><li>- Salt fog protection</li><li>- Degree of protection: IP 54 / IP 68</li></ul></li></ul>

Possible special designs are depicted on the catalog page.

## Speed signal /2, /12

The fan uses a separate wire to output information about its speed, and thus about the speed of the rotor. For technical details, please refer to page 178 and the following.

## Go- / NoGo alarm /37, /39

The fan uses a separate wire to output a static signal when it is stationary, thus providing information about whether or not the rotor is turning. For technical details, please refer to page 182 and the following.

## Alarm with speed limit /17, /19

When one of the speeds defined in the fan electronics is undershot, the fan outputs a static signal providing information that the set speed limit was undershot. For technical details, please refer to page 180 and the following.

## External temperature sensor

An NTC resistor (negative temperature coefficient) is attached to the fan via a separate wire and the fan changes its speed depending on the temperature on the NTC. For technical details, please refer to page 184.

## Internal temperature sensor

In this case, the NTC is integrated into the fan and the fan changes its speed depending on the temperature at the NTC. For technical details, please refer to page 184.

## PWM control input

The speed of the fan can be changed via a pulse-width-modulated signal. This signal is applied to a specially provided wire. For technical details, please refer to page 185.

## Analog control input

The speed of the fan can be changed via a control voltage. This control voltage is applied to a specially provided wire. For technical details, please refer to page 185.

## Multi-option control input

The fan has a control input that the user can trigger either using a PWM signal, an analog signal, or a variable resistor. For technical details, please refer to page 186.

## Moisture protection

Protection for the fan electronics against moisture and condensation. For technical details, please refer to page 188.

## Degree of protection IP 54\* / IP 68\*

Protection of motor and circuit board against splashed water and moisture. For technical details, please refer to page 188.

## Salt spray protection

Protection of fan against the damaging effects of salt spray. For technical details, please refer to page 188.

## Direction of rotation

On many variants, the direction of rotation can be changed via a control input.

\* IP = International degree of protection marking  
For AC fans max. IP 65 available.

# Types of fans and their function



## **Axial fans:**

### **High air flow with medium to relatively high pressure increase**

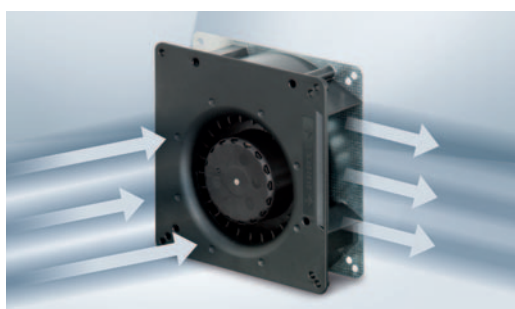
The air flow in axial fans with an impeller that is similar to a propeller is conducted largely parallel to the axis of rotation, in other words in the axial direction. Axial fans with free air delivery at zero static pressure have the lowest power input that rises with increasing back pressure. Axial fans for cooling of electronic equipment are mostly equipped with external housing. The electric motor is integrated in the fan hub. This compact design allows space-saving accommodation of all devices. The flange is equipped with mounting holes.



## **Diagonal fans:**

### **High air flow at relatively high pressure increase**

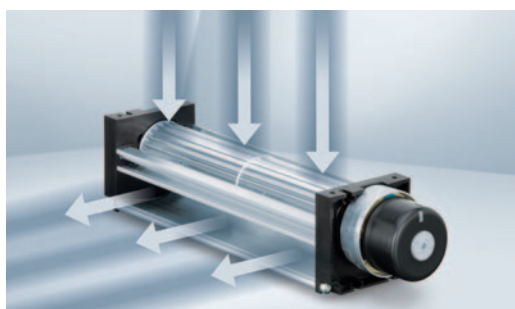
At first glance diagonal fans only differ slightly from axial fans. Intake is axial, whereas exhaust is diagonal. Due to the conical shape of the wheel and housing, the air is pressurized more in the diagonal fan. In direct comparison with axial fans of the same size and comparable performance, these fans are distinguished by the lower operating noise at high pressures.



## **Centrifugal fans:**

### **High pressure increase at limited flow rate**

Generally, many cooling tasks can be performed excellently by axial and/or diagonal fans. But if the cooling airflow has to be deflected at an angle of 90°, for example, or if even greater pressure increase is necessary, centrifugal fans are more effective. For your application, ebm-papst offers not only complete centrifugal fans, but also motor/impeller combinations without external housing.



## **Tangential fans:**

### **High air flow with low pressure increase**

Tangential fans are used especially to produce a wide airflow distribution through devices. The air flows through the roller-shaped impellers twice in the radial direction: in the intake area from the outside to the inside and in the outflow area from the inside to the outside. Whirls form in the roller due to the vanes, which guarantee a steady flow of air through the impeller.

# Selecting the correct fan

## 1. Dissipated energy

A large amount of the energy consumed by electrical and electronic devices is converted to heat. So when selecting the correct fan, it is important to determine the dissipated energy that must be removed. The electrical power consumption of the unit to be cooled often represents a suitable value for this purpose.

## 2. Admissible temperature increase

The air flow that the selected fan is required to generate, is determined by the dissipated energy and the admissible heating ( $\Delta T$ ) of the cooling airflow (from entry to exit of the device to be cooled). The maximum admissible  $\Delta T$  depends greatly on the temperature sensitivity of the individual parts of the device.

For example,  $\Delta T = 5K$  means that the average cooling airflow leaving the device to be cooled may be only  $5^{\circ}C$  warmer than the ambient temperature. This requires a lot of air. A lower air flow rate is sufficient if a higher temperature difference (e.g.  $\Delta T = 20K$ ), can be tolerated.

## 3. Required cooling airflow

- In the diagram below, a horizontal line is drawn from the dissipated energy to intersect with the selected  $\Delta T$  line.
- Read down from this point to obtain the required value for the cooling airflow. The diagram is based on the following formula:

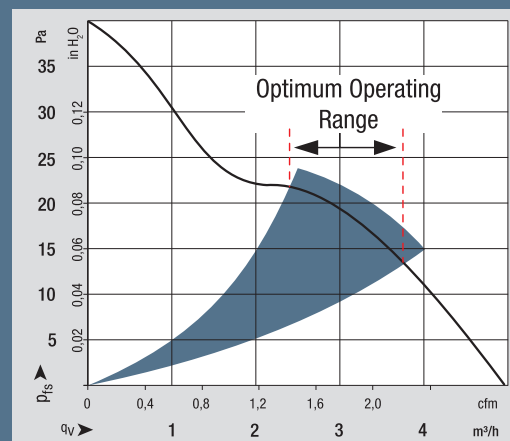
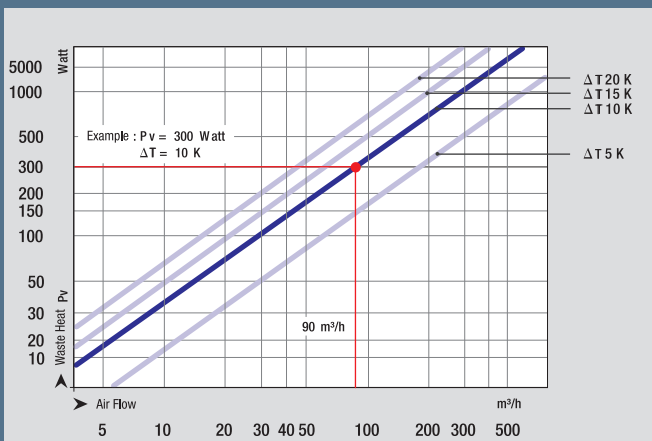
$$q_V = \frac{P_V}{C_{PL} \cdot \rho_L \cdot \Delta T}$$

## 4. Optimum operating range

But the fan you are looking for must also be able to deliver a suitable static pressure increase  $\Delta p_f$ , in order to force the cooling air through the device. So a fan must be selected that provides the required air flow performance within its optimum operating range (see also the air performance curves under technical data).

## 5. Fan selection

If more than one fan meets your requirements, the sound level, space requirements, economy, and ambient conditions will assist in making the final choice.



## Definitions

$P_V$  = amount of heat to be dissipated in [W]  
 $C_{PL}$  = specific heat capacity of air in [J/kg/K]  
 $C_{PL} = 1010$  [J/kg/K]

$\rho_L$  = air density in [kg/m<sup>3</sup>]  
 $\rho_L = 1,2$  kg/m<sup>3</sup>  
 $\Delta T = T_1 - T_2$  temperature difference in [K] between inlet and outlet

# Fan installation

## Intake or exhaust side installation

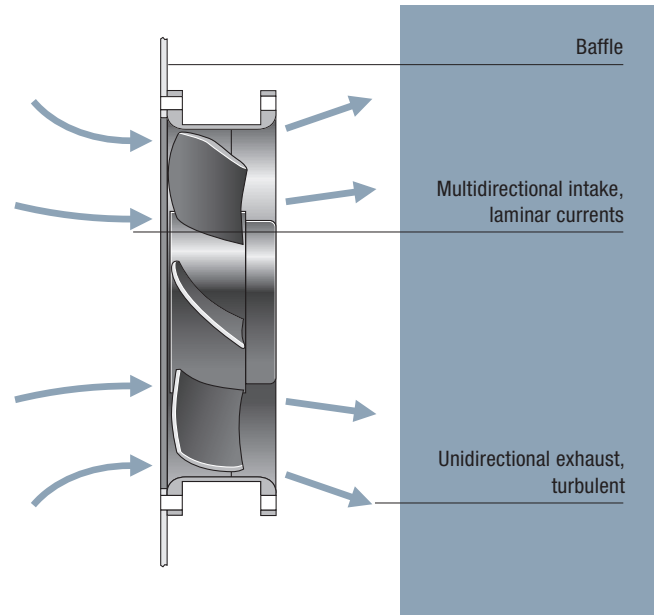
Under ideal conditions, the operating point is represented as the intersection between the fan and loss curves, regardless of whether the fan is positioned at the air intake or exhaust side of the device. In addition to ensuring the required flow rate, several other aspects must be considered for determining an appropriate fan concept. The intake air currents of a fan are mainly laminar, comprising nearly the entire suction area. By contrast, the exhaust air of a fan is generally turbulent and flows in a preferred direction, such as axial for an axial fan. The turbulence of the exhaust intensifies the heat transfer from components within the air currents, so that installing the fan on the air intake side of the device is recommended for cooling and heating. Installing the fan at the device intake is also advantageous because the fan will not be subjected to the dissipated heat of the device. Therefore, it operates at low ambient temperatures and has a greater life expectancy.

## Information on installation

When a fan is operated for the first time in an application, the user may have noticed that the air flow in the device was lower than expected. What is the reason for this?

- The values stated in this catalog were determined under optimum, constant, and comparable measurement conditions.
- Ideal installation conditions under which free air intake and exhaust are present are seldom feasible in practice. Quite frequently, the fans have to be installed in close proximity to other components or cabinet panels. As a consequence, the intake and exhaust currents may be restricted, causing the air flow to diminish and the sound level to increase. Fans are particularly sensitive to obstructions that are positioned directly in front of the output cross section, and they often cause an increase in tonal noise.

**Our advice:** The distance between the fan and adjacent components should be at least equal to the installation depth of the fan.



### Accident prevention



The turning rotor and the high speeds that are sometimes involved mean that our fan products carry an inherent risk of injury. They may only be operated after correct installation and with suitable protective equipment (e.g. with a finger guard). More information can be found in the Internet at: [www.ebmpapst.com/safety](http://www.ebmpapst.com/safety)

# Connection instructions for S-Force fans



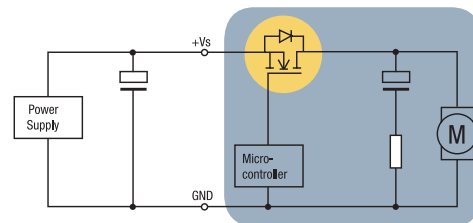
## Special features of S-Force fans

The S-Force series is the most powerful product series. S-Force stands for the highest innovation in motor technology, fluid mechanics and electronics. The one-of-a-kind power density of the products requires special attention to the application at the customer's facility.

## Service life

Due to the high currents in the fans, the load on the electrolyte capacitors is greater, which reduces the service life of the capacitor. As a larger or additional capacitor cannot be housed in the fan, the capacitor must be housed in the supply line.

If the power supply of the application has a corresponding capacitor, in some cases it may be possible to omit the external capacitor.



Recommended measure: additional external capacitor (should be installed as close to the fan as possible < 30 cm).

Fan	Capacitor required
<b>S-Force axial</b>	
8200 / 3200 JH3-JH4	no
4100 NH3 / NH4 / NH5 / NH6	no
4100 NH7 / NH8	yes
5300 / 5300 TD	no
6300 / 6300 TD / DV 6300	no
2200 FTD	no
2200 TD	no
<b>S-Force centrifugal</b>	
RET 97 TD	yes
RER 120 TD	yes
RER 133 TD	no
RER 160 NTDHH	yes
REF 175 TD	no
RER 175 TD	no
RER 190 TD / RG 190 TD	no
RER 220 TD / RG 220 TD	no
RER 225 TDM / RG 225 TDM	no
RER 225 TD / RG 225 TD	no

## Recommended capacitors

We recommend using the following capacitors from Rubycon:

24 VDC:

50 ZL 680  $\mu$ F; 12.5 mm x 30 mm or

50 ZLH 680  $\mu$ F 12.5 mm x 30 mm

48 VDC:

100 YXG 470  $\mu$ F; 16 mm x 35.5 mm or

100 ZLH 470  $\mu$ F 16 mm x 31.5 mm

Other capacitors with equal or greater capacitance and equal or lower serial resistance can also be used.

ebm-papst St. Georgen has the following capacitors in stock:

24 VDC: 1000  $\mu$ F / 50 V, 16 mm x 25 mm

Part number: 992 0354 000 (LZ 354)

48 VDC: 680  $\mu$ F / 100 V, 18 mm x 40 mm

Part number: 992 0355 000 (LZ 355)

# Service life

## Service life data from ebm-papst St. Georgen

Our fans catalog gives three different values for the service life of each product. The first column usually states the service life  $L_{10}$  at 40 °C. the second column usually states the service life  $L_{10}$  at  $T_{max}$ . Exceptions are marked in the column headings. The third column states the new value, life expectancy  $L_{10IPC}$  (40 °C).

Bel(A)	Sound power level Sleeve bearings Ball bearings	Input power Watts	Nominal speed rpm	Temperature range °C	Service life $L_{10}$ (40 °C) ebm-papst Standard	Service life $L_{10}$ ( $T_{max}$ ) ebm-papst Standard	Life expectancy $L_{10IPC}$ (40 °C) see page 14	Curve
5,2	■	1,8	5 900	-20...+70	85 000 / 42 500	142 500	①	
5,4	■	1,5	6 300	-20...+70	85 000 / 42 500	142 500	②	

Example of the service life figures on the catalog page.

## Service life $L_{10}$ (40 °C) and $L_{10}$ ( $T_{max}$ )

The values given in the first two columns have been derived from intensive, in-house service life endurance tests in which our products are operated in various positions at 40 °C and 70 °C until they fail. A fan is deemed to have failed when it deviates from its defined air flow and speed values, or when the operating noise becomes noticeable. Such tests can take several years before a representative number of failures has been registered, and even today, some fans are still in the process of endurance testing, even though the test began early in the 1980s. These fans are proof of the legendary "made by ebm-papst" reliability. Test results are presented in a diagram and the service life of the product  $L_{10}$  at the temperature tested is determined based on the Weibull distribution.

These tests have given us years of experience in the way various design parameters and temperatures can affect the service life of a product. Data for service life at various temperatures for new products can be stated with a very high degree of precision based on tests, product specifications, and commonalities in the design of the product.

## Life expectancy $L_{10IPC}$ (40 °C)

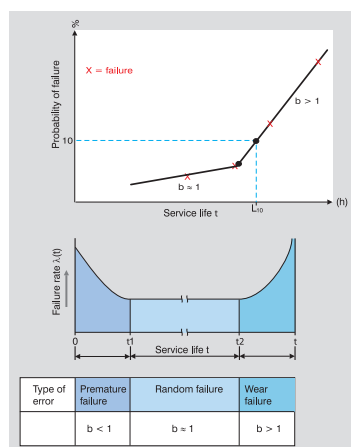
The new third service life column states the life expectancy  $L_{10IPC}$ . This information is based on the international standard IPC 9591. Again here, the foundations for the service life values are our service life endurance tests at high ambient temperatures. The service life at temperatures below the test temperatures is calculated using fixed factors. This method produces much higher service life values, especially at room temperature (see diagram on right).

## Summary:

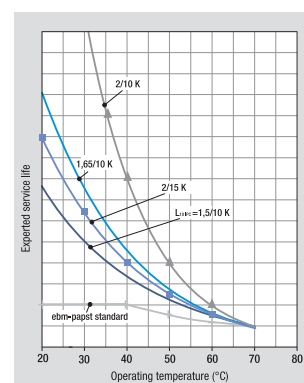
The life span calculations have been carried out to the best of our knowledge and are based on experience gained by ebm-papst. The specified  $L_{10}$  (40 °C),  $L_{10}$  ( $T_{max}$ ) and  $L_{10IPC}$  (40 °C) values all allow statements to be made about the theoretical calculated service life under certain assumptions. The values determined here are extrapolations from our own service life tests and from statistical variables. In the respective customer applications, there may be different influencing factors that cannot be included in the calculations due to their complexity. The service life information is explicitly not a guarantee of service life, but strictly a theoretical quality figure.



Fans in an endurance test cabinet at ebm-papst St. Georgen. 1500 fans are operated in temperature cabinets until they fail.



Bathub curve and Weibull distribution.



Example of the influence of factors from various manufacturers on the life expectancy.

# Definitions

## Nominal voltage [volts]

The voltage at which the nominal values (the table values listed in this catalog) were determined. The fan operation for DC fans is not limited to the nominal voltage. Fan speed and fan performance can vary according to the admissible voltage range that is specified on the nameplate of each fan. Please note that this is not a pulsed or modulated DC voltage.

## Frequency [Hz]

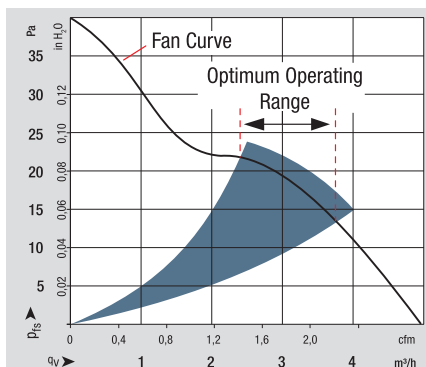
ebm-papst AC fans are made for operating frequencies of 50 Hz or 60 Hz. Their technical data changes accordingly.

## Air flow [m<sup>3</sup>/h, cfm]

The air performance of the fan in free air operation, i.e. the fan blows into the free space without static pressure increase.

## Fan curves

The fan curves are determined in accordance with DIN ISO 5801 specifications on a dual-chamber test stand with intake side measurement. This measurement technique closely approximates the operating conditions experienced in typical applications for fans and yields realistic performance curves. The curves apply to an air density of  $\rho = 1.2 \text{ kg/m}^3$  corresponding to an air pressure of 1013 mbar at 20 °C. Variations in air density affect pressure



generation, but not the flow rate. The pressure generated at other air densities can be estimated with the formula  $\Delta p_2 = \Delta p_1 (\rho_2 / \rho_1)$ .

The nominal speed values, air flow and power consumption listed in the table were measured in free air operation with horizontal shaft at an ambient temperature of 20 °C - 25 °C, air density  $\rho = 1.2 \text{ kg/m}^3$  after a warmup period of 5 min.

## Optimum operating range

The optimum operating range is always indicated in the colored area in the air performance diagrams. In this range the fans operate best with respect to efficiency and sound level. Within this optimum operating range the sound level only fluctuates slightly.

## Noise [dB(A), Bel(A)]

### 1. Sound pressure level – dB(A)

Noise ratings of the fan in free air operation, i.e. at maximum flow rate.

### 2. Sound power level 1 Bel(A) = 10 dB(A)

Extent of the overall sound radiation of the fan. The sound power level is determined in the optimum operating range.

## PAPST Sintec® sleeve bearings

A particularly economical bearing system with excellent advantages:

- Very precise, large sintered bearings
- Low running noise
- High service life expectancy
- Resistant to shock and vibration

## Ball bearings

Precision ball bearings for particularly high ambient temperatures and high service life expectancy.

## Power consumption [watts]

Input performance of the fan motor when operating free blowing at nominal voltage. Depending on the operating condition in the application, the power consumption may be significantly higher.

## Temperature range [°C]

The admissible ambient temperature range within which the fan can be expected to run continuously.

## Service life [h]

### Service life L<sub>10</sub> at 40 °C and T<sub>max</sub>

Standard figures for service life at ebm-papst. These two temperatures are based on intensive, in-house endurance tests and on experience from more than 70 years developing fans.

### Life expectancy L<sub>10IPC</sub> (40 °C)

Information calculated in line with the standard IPC 9591. Data based on the internal life expectancy at 70 °C, more optimistically extrapolated to 40 °C.

**We expressly state that none of the information or data in this catalog is to be construed as a guarantee or warranty of properties.**

## Unit conversion

Air flow	Pressure
1 cfm = 1.7 m <sup>3</sup> /h	1 Pa = 1x10 <sup>-5</sup> bar
1 l/s = 3.6 m <sup>3</sup> /h	1 inch H <sub>2</sub> O = 249 Pa
1 l/min = 0.06 m <sup>3</sup> /h	1 mm H <sub>2</sub> O = 9.81 Pa

Subject to technical changes.

We do not support aerospace applications with our products. German and international patents (registered designs and utility models).

ebm-papst is a registered trademark of ebm-papst Mulfingen GmbH & Co. KG.

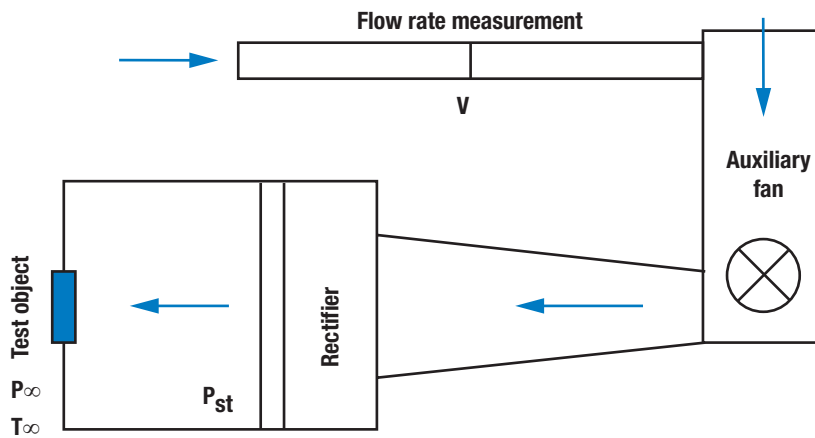
PAPST, SINTEC, VARIOFAN and Vario-Pro are registered trademarks of ebm-papst St. Georgen GmbH & Co. KG.



# Standard test equipment to determine the fan characteristics

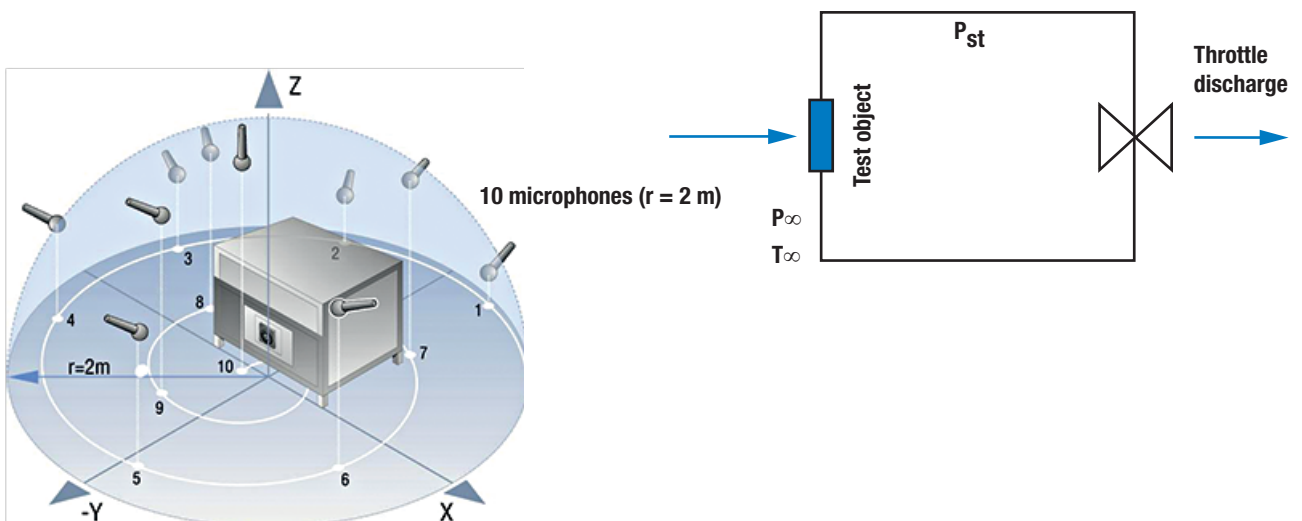
## Pressure/air flow

Blow-down test facility acc. to ISO 5801



## Sound power level pressure/air flow:

Outlet side regulated test rig in semi-anechoic chamber according to ISO 10302



# Type code

## 3-digit DC axial fan e.g. 412 FM

### Housing dimensions (W x H x D)

Value	Edge dim. (W x H)	Installation depth (D)
2	25 x 25 mm	8 mm
<b>4</b>	<b>40 x 40 mm</b>	<b>10 / 20 / 25 / 28 mm</b>
5	50 x 50 mm	15 mm
6	60 x 60 mm	15 / 25 / 32 mm
7	70 x 70 mm	15 mm

### Operating voltage

Value	Nominal voltage
<b>2</b>	<b>12 V</b>
4	24 V
5	5 V
8	48 V

**4 1 2 F M**

### Motor and housing version

Value	Version
<b>1</b>	<b>4xx fan, 10 / 20 / 25 / 28 mm (D)</b>
1	6xx fan, 15 / 25 / 32 mm (D)
2	25 / 28 mm (D)
3	63x fan, 25 mm (D)
5	2xx fan, 8 mm (D)

### Options (various versions possible)

A	Analog speed control input (input voltage: 0...5 / 0...10 V DC)
D	Reinforced flange corners with through-holes (series 44xx F) Constant speed control regardless of operating voltage
E	Economy fan with round flange
<b>F</b>	<b>Flat construction / frequency-modulated speed control input</b>
G	Sleeve bearing
H	High speed
HH	Further increased speed
H3-H8	Additional further increased speeds
I	Integrated temperature sensor (NTC behavior, i.e. thermistor)
J	Jet characteristic / rigid curve
L	Low speed
<b>M</b>	<b>Medium speed</b>
ML	Between low and medium speed
N	Standard or basic speed
O	Multi-option speed control input
P	PWM speed control input (pulse-width modulated signal)
R	Moisture protection coating
S	Speed signal (additional wires for hall signal, obsolete technology)
T	External temperature sensor (NTC behavior, i.e. thermistor)
TD	Turbo drive (extremely powerful 3-phase motor)
U	Environmentally friendly fan (min. IP 54)
V / VP	VARIOFAN
W	Additional wires (standard length 310 mm)
X	Mounting bore hole 3.7 mm
-xxx	Variant number

## 4-digit DC axial fan, e.g. 4312 GM

### Housing dimensions (W x H x D)

Value	Edge dimensions (W x H)	Installation depth (D)
2	∅ 220 x 200 mm	51 mm
3	92 x 92 mm	25 / 32 / 38 mm
<b>4</b>	<b>119 x 119 mm</b>	<b>25 / 32 / 38 mm</b>
5	127 x 127 mm	38 mm
5	135 x 135 mm	38 mm
5	140 x 140 mm	51 mm
6	∅ 172 mm	51 mm
6	∅ 172 x 150 / 160 mm	51 mm
7	∅ 150 mm	38 / 55 mm
8	80 x 80 mm	25 / 32 / 38 mm

### Connection type and direction of rotation

Value	Connection type	Direction of rotation
<b>1</b>	<b>Wires, length = 310 mm</b>	
5	Wires, length = 310 mm	
6	Plug, 2.8 x 0.8 mm	Counterclockwise (CCW)
7	Plug, 2.8 x 0.8 mm	Clockwise (CW)
8	Plug, 2.8 x 0.5 mm	Counterclockwise (CCW)
9	Plug, 2.8 x 0.5 mm	Clockwise (CW)

**4 3 1 2 G M**

### Motor and housing version

Value	Version
1	38 mm (D)
2	38 mm (D)
<b>3</b>	<b>32 mm (D)</b>
4	25 / 38 / 51 mm (D)

### Operating voltage

Value	Nominal voltage
<b>2</b>	<b>12 V</b>
4	24 V
6	36 V
8	48 V

### Options (various versions possible)

A	Analog speed control input (input voltage: 0...5 / 0...10 V DC)
D	Reinforced flange corners with through-holes (series 44xx F) Constant speed control regardless of operating voltage
DV	Diagonal Venturi fan
E	Economy fan with round flange
F	Flat construction / frequency-modulated speed control input
<b>G</b>	<b>Sleeve bearing</b>
H	High speed
HH	Further increased speed
H3-H8	Additional further increased speeds
I	Integrated temperature sensor (NTC behavior, i.e. thermistor)
J	Jet characteristic / rigid curve
L	Low speed
<b>M</b>	<b>Medium speed</b>
ML	Between low and medium speed
N	Standard or basic speed, new design
O	Multi-option speed control input
P	PWM speed control input (pulse-width modulated signal)
R	Moisture protection coating
S	Speed signal (additional wires for hall signal, obsolete technology)
T	External temperature sensor (NTC behavior, i.e. thermistor)
TD	Turbo drive (extremely powerful 3-phase motor)
U	Environmentally friendly fan (min. IP 54)
V / VP	VARIOFAN
W	Additional wires (standard length 310 mm)
X	Mounting bore hole 3.7 mm
-xxx	Variant number

# Type code

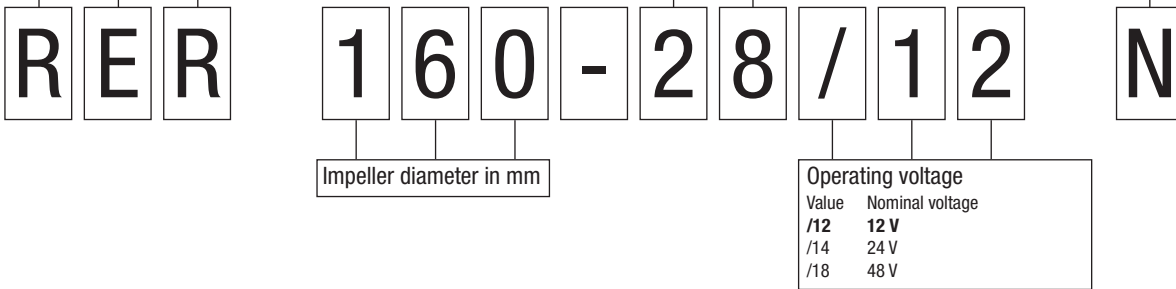
## DC centrifugal fan e.g. RER 160-28/12 N

Type	Housing and fan impeller versions	
	Housing	Impeller blade design
RE	None	Non-curved, no direction of rotation set
REF	None	Forward/backward-curved impeller blades, flat
<b>RER</b>	<b>None</b>	<b>Backward-curved impeller blades</b>
RET	None	Forward-curved impeller blades
RG	Square	Forward/backward-curved impeller blades
RL	Round	Forward-curved impeller blades
RLF	Round	Forward/backward-curved impeller blades, flat
RV	Round	Forward-curved impeller blades

Fan impeller blade height

### Options (various versions possible)

A	Analog speed control input (input voltage: 0...5 / 0...10 V DC)
G	Sleeve bearing
H	High speed
HH	Further increased speed
H3-H8	Additional further increased speeds
I	Integrated temperature sensor (NTC behavior, i.e. thermistor)
L	Low speed
M	Medium speed
ML	Between low and medium speed
<b>N</b>	<b>Standard or basic speed</b>
O	Multi-option speed control input
P	PWM speed control input (pulse-width modulated signal)
R	Moisture protection coating
T	External temperature sensor (NTC behavior, i.e. thermistor)
TD	Turbo drive (extremely powerful 3-phase motor)
U	Environmentally friendly fan (min. IP 54)
-xxx	Variant number

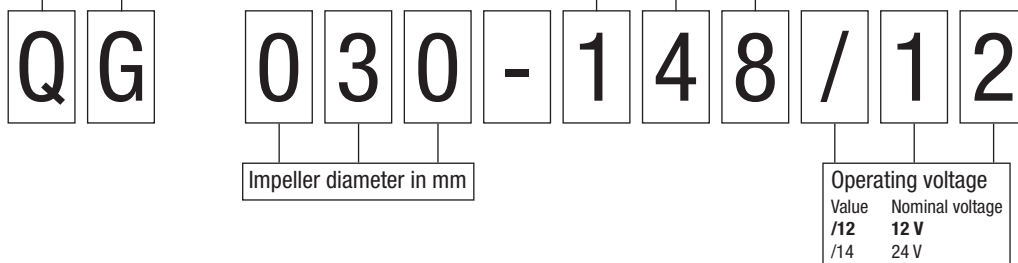


## Crossflow blower e.g. QG 030-148/12

Type	Housing and fan impeller versions	
	Housing	Impeller blade design
<b>QG</b>	<b>Round</b>	<b>Compressor drum</b>

### Housing dimensions (W x H)

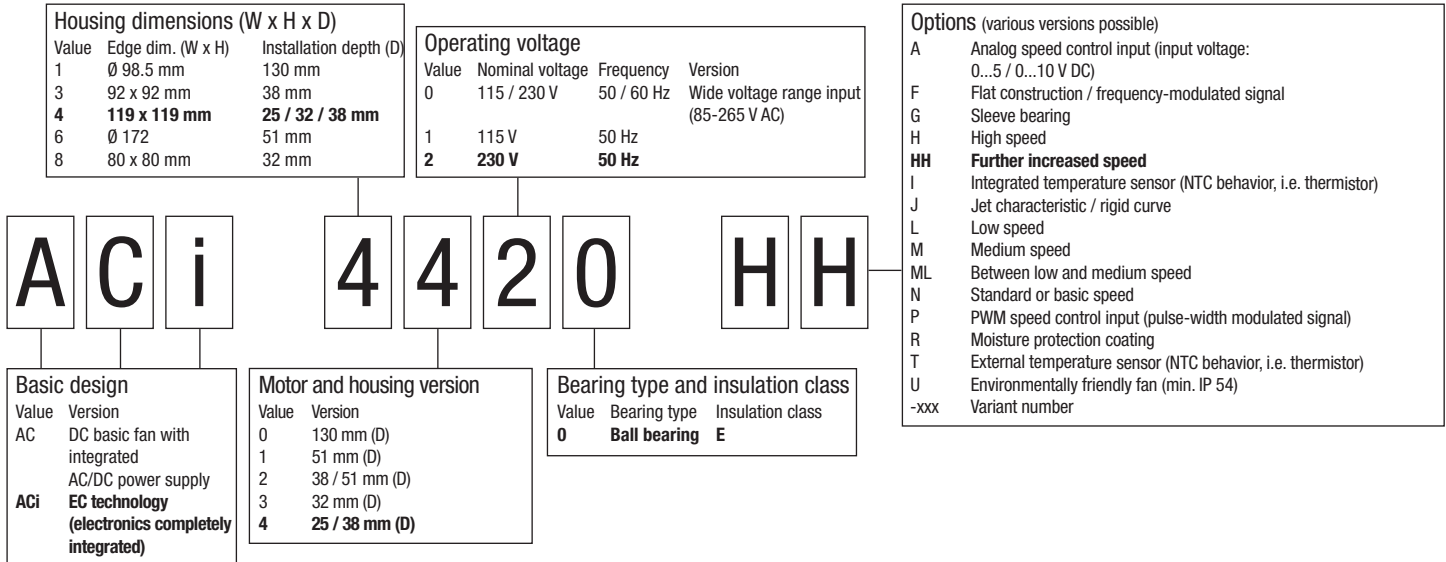
Value	Edge dim. (W x H)	Impeller length	Total length
<b>148</b>	<b>48 x 50 mm</b>	<b>148 mm</b>	<b>201 mm</b>
198	48 x 50 mm	198 mm	258 mm
303	48 x 50 mm	303 mm	363 mm
353	48 x 50 mm	353 mm	413 mm



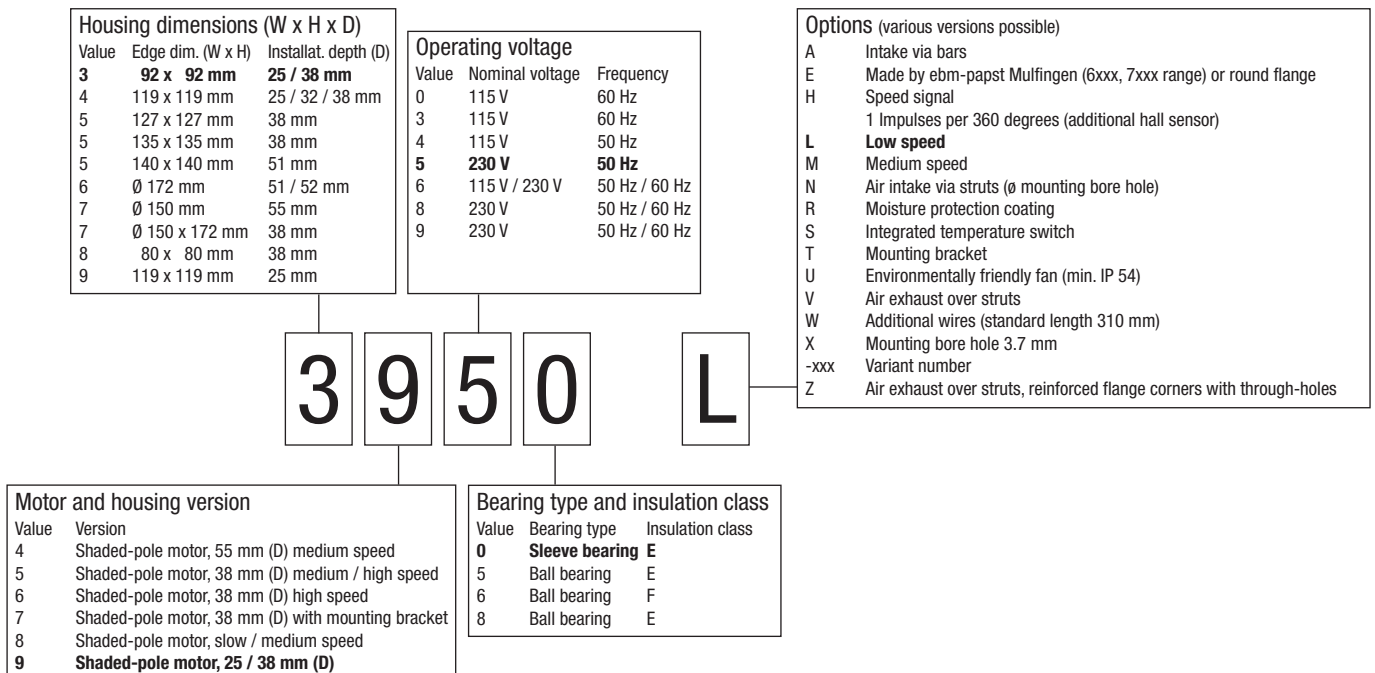
All measurements are given in mm.

# Type code

## 4-digit GreenTech EC tubeaxial fans axial fan e.g. ACi 4420 HH



## AC axial fan e.g. 3950 L



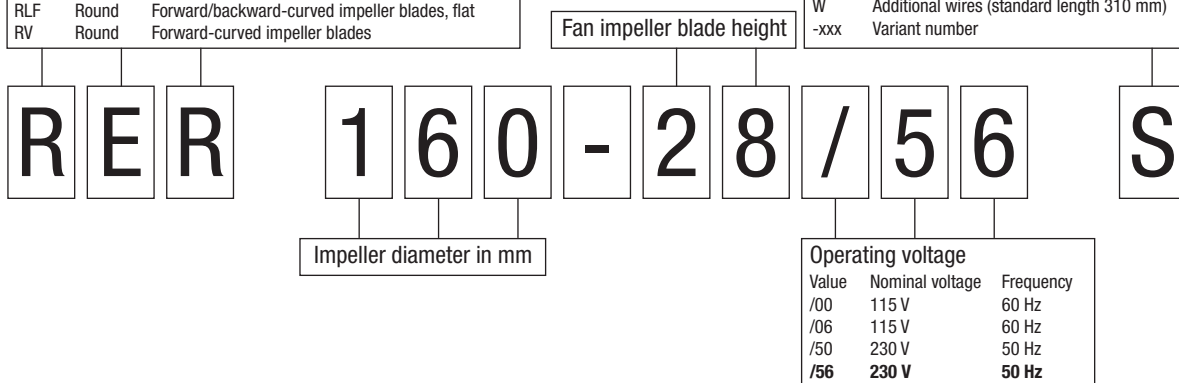
All measurements are given in mm.

# Type code

## AC centrifugal fan e.g. RER 160-28/56 S

Type	Housing and fan impeller versions
	Housing Impeller blade design
RE	None Non-curved, no direction of rotation set
REF	None Forward/backward-curved impeller blades, flat
<b>RER</b>	<b>None Backward-curved impeller blades</b>
RET	None Forward-curved impeller blades
RG	Square Forward/backward-curved impeller blades
RL	Round Forward-curved impeller blades
RLF	Round Forward/backward-curved impeller blades, flat
RV	Round Forward-curved impeller blades

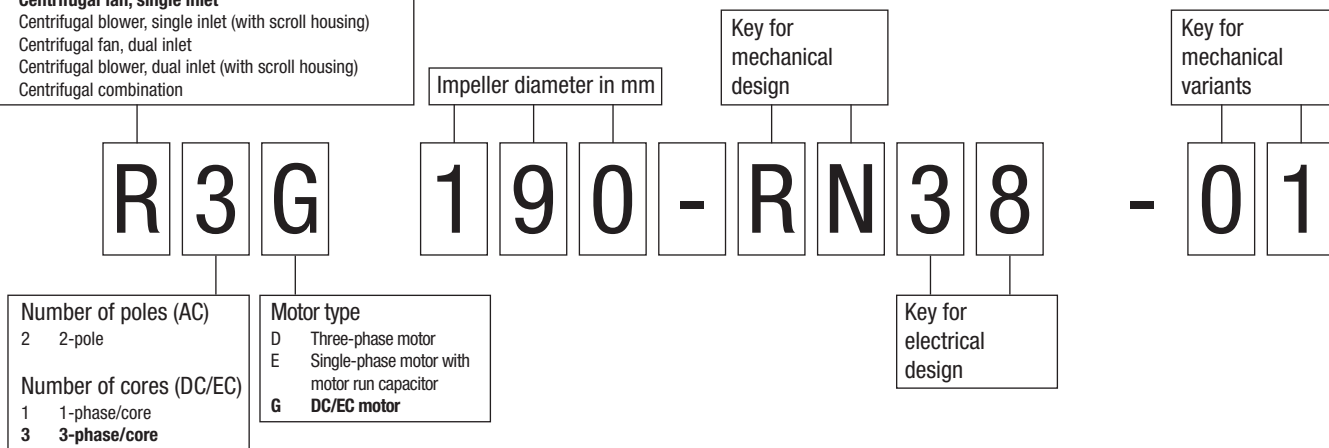
Options (various versions possible)	
H	Speed signal 1 Impulses per 360 degrees (additional magnet sensor and hall sensor)
L	Low speed
M	Medium speed
N	Air intake via struts (ø mounting bore hole)
R	Moisture protection coating
<b>S</b>	<b>Integrated temperature switch</b>
U	Environmentally friendly fan (min. IP 54)
W	Additional wires (standard length 310 mm)
-xxx	Variant number



## DC centrifugal fan e.g. R3G 190-RN38-01

Note: This type code specifies fans from ebm-papst Mulfingen and can be used to clearly identify and order them:

Type	Housing and fan impeller versions
A	Axial fan
S	Axial fan with finger guard
W	Axial fan with fan housing
V	Axial combination
<b>R</b>	<b>Centrifugal fan, single inlet</b>
G	Centrifugal blower, single inlet (with scroll housing)
B	Centrifugal fan, dual inlet
G	Centrifugal blower, dual inlet (with scroll housing)
K	Centrifugal combination



All measurements are given in mm.



# DC axial fans



DC axial fan overview

25

DC axial fan / DC diagonal fan

29

# DC axial fans

## Technical information



### Product line

ebm-papst offers you the widest full product line of DC axial and diagonal fans from 25 mm to 280 mm in size. Every single type of fan can be optimally integrated in the respective device concept. The highly economical brushless motor technology of these fans provides a unique variety of intelligent innovations at prices that would have been unthinkable a few years ago.

### Electronic protection against reverse polarity

ebm-papst DC fans have electronically commutated drives with electronic protection against reverse polarity. The electronics are integrated in the fan's impeller hub to save space.

### Product life expectancy

A distinctive feature of DC fan technology is the amazing product life expectancy. The outstanding efficiency of the brushless drive results in lower heat stress for the bearings, which significantly increases the service life of the fan.

### Degree of protection

DC fans with sleeve and ball bearings are powered by class E insulated motors. All ebm-papst fans conform to the requirements of degree of protection IP 20. Fans conforming to IP 54 / IP 68 and special degrees of protection are also available.

### Voltage range

Many of our DC fans can be operated on voltages that are up to 50 % lower and 25 % higher than their nominal voltage (see voltage range in the technical tables). This allows the air performance to be adapted to the cooling requirements and the noise to be reduced, even if the fan does not have a control input.

### Closed-loop speed control and monitoring

Closed-loop speed control and function monitoring are becoming increasingly important in many applications. ebm-papst offers many fans in the standard design with a control input and open-collector speed signal.

### S-Force

The S-Force fans with their extremely high blower capacity of up to 1100 m<sup>3</sup>/h and pressure increase of up to 1400 pascals are capable of dealing with the extreme heat load. If needed, these fans can produce up to 100 % more output under full load, and they work with a much broader delivery bandwidth than current models. This makes them ideal for equipment and systems with a high density of components. Thanks to intelligent motor features, they can be adapted individually for any application. S-Force fans are available in standard dimensions. The air flow rate is amazing!

### S-Panther

S-Panther power delivered quietly. Wherever there is need for power and reduced noise, fans from the S-Panther range are the right solution. A strong pressure saddle curve at optimum air flow provides the power of a real big cat, an S-Panther.



# Axial fans for DC operation

Overview of air performance

Dimension	Series	Air flow	Page
mm		m³/h	
□ 25 x 8	250	2.3...4.6	29
□ 40 x 10	400 F	6...9	30
□ 40 x 20	400	10...13.5	31
□ 40 x 28	420 J	24...38	32
□ 50 x 15	500 F	11...20	33
□ 60 x 15	600 F	19...33	34
□ 60 x 25	620	21...67	35
□ 60 x 25	630	40...58	36
□ 60 x 25	600 N	21...56	37
□ 60 x 32	600 J	70...82	38
□ 70 x 15	700 F	28...44	39
□ 80 x 25	8450	32...117	40
□ 80 x 25	8400 N	33...79	41
<i>S-Panther</i> □ 80 x 32	8300 N	32...130	42/43
□ 80 x 38	8200 J	132...222	44
□ 80 x 38	CoR 8200 J	232	45
□ 92 x 25	3400 N	61...102	46
<i>S-Panther</i> □ 92 x 32	3300 N	56...133	47/48
<i>S-Force</i> □ 92 x 38	3200 J	130...280	49
<i>S-Panther</i> □ 92 x 38	3250 J	145...270	50
□ 119 x 25	4400 F	94...170	51
∅ 127	4400 F	91	52
□ 119 x 25	4400 FN	200...225	53
<i>S-Panther</i> □ 119 x 32	4300 N	100...285	54/55

Subject to change

# Axial fans for DC operation

## Overview of air performance

Dimension	Series	Air flow	Air flow (m³/h)																			Page
			10	20	30	40	50	60	70	80	90	100	200	300	400	500	600	700	800	900	1000	
□ 119 x 38	4400	100...285	[Performance range bar]																			56/57
□ 119 x 38	4100 N	160...237	[Performance range bar]																			58
<i>S-Force</i> □ 119 x 38	4100 NHH..NH6	260...440	[Performance range bar]																			59
<i>S-Force</i> □ 119 x 38	4100 NH7..NH8	500...570	[Performance range bar]																			60
□ 119 x 38	DV 4100	280	[Performance range bar]																			61
□ 127 x 38	5200 N	187...340	[Performance range bar]																			62
□ 127 x 38	DV 5200	270...320	[Performance range bar]																			63
□ 135 x 38	5100 N	260	[Performance range bar]																			64
<i>S-Force</i> □ 140 x 51	5300	340	[Performance range bar]																			65
<i>S-Force</i> □ 140 x 51	5300 TD	410...670	[Performance range bar]																			66
∅ 150 x 38	7100 N	308...360	[Performance range bar]																			67
∅ 150 x 55	7200 N	360	[Performance range bar]																			68
172x150x51	6400	350...480	[Performance range bar]																			69
172x150x51	6400 TD	90...900	[Performance range bar]																			70
172x160x51	DV 6400	530	[Performance range bar]																			71
172x160x51	DV 6400 TD	100...680	[Performance range bar]																			72
<i>S-Panther</i> 172x160x51	6300 NTD	1030	[Performance range bar]																			73
<i>S-Force</i> 172x160x51	6300 TD	710...930	[Performance range bar]																			74
<i>S-Panther</i> ∅ 172 x 51	6300 N	540...685	[Performance range bar]																			75
<i>S-Panther</i> ∅ 172 x 51	6300 NTD	805...1210	[Performance range bar]																			76
<i>S-Force</i> ∅ 172 x 51	6300	395...545	[Performance range bar]																			77
<i>S-Force</i> ∅ 172 x 51	6300 TD	600...930	[Performance range bar]																			78
<i>S-Force</i> ∅ 172 x 51	DV 6300 TD	630...1100	[Performance range bar]																			79
<i>S-Force</i> 220x200x51	2200 FTD	790...1220	[Performance range bar]																			80
225x225x80	2200 TD	1000	[Performance range bar]																			81
□ 225 x 80	K1G 200	1020...1245	[Performance range bar]																			82
□ 225 x 89	K3G 200	725...1650	[Performance range bar]																			84
∅ 250	W1G 250	2070	[Performance range bar]																			86
∅ 300	*1G 300	2320...2345	[Performance range bar]																			88

Subject to change



# Axial fans for DC operation

## Overview of technically feasible designs

Dimension		VDE, UL, CSA	SW/TEC sleeve bearings / ball bearings	Speed signal	Go / NoGo alarm	Alarm with speed limit	External temperature sensor	Internal temperature sensor	PWM control input	Analog control input	Multi-options control input	Moisture protection	IP >= 54	IP 69	Salt spray protection	Reversible direction of rotation	Page
Axial fans																	
mm	Series																P.
□ 25 x 8	250	ja	□	•	-	-	-	-	-	-	-	•	-	-	-	-	29
□ 40 x 10	400 F	ja	□	•	•	-	-	-	-	-	-	•	-	-	-	-	30
□ 40 x 20	400	ja	□	•	•	-	-	-	•	-	-	•	-	-	-	-	31
□ 40 x 28	420 J	ja	■	•	•	•	•	-	•	•	-	•	•	•	-	-	32
□ 50 x 15	500 F	ja	□	•	•	-	-	-	•	-	-	•	-	-	-	-	33
□ 60 x 15	600 F	ja	□	•	•	-	-	-	•	-	-	•	-	-	-	-	34
□ 60 x 25	620	ja	■	•	•	•	•	•	•	-	-	•	-	-	-	-	35
□ 60 x 25	630	ja	■	•	•	•	•	-	•	•	-	•	•	•	-	-	36
□ 60 x 25	600 N	ja	□/■	•	•	-	-	-	-	-	-	•	•	•	-	-	37
□ 60 x 32	600 J	ja	■	•	•	-	•	-	•	•	-	•	-	-	-	-	38
□ 70 x 15	700 F	ja	□	•	•	-	-	-	-	-	-	•	-	-	-	-	39
□ 80 x 25	8450	ja	■	•	•	•	•	•	•	•	-	•	-	-	-	-	40
□ 80 x 25	8400 N	ja	□/■	•	•	•	•	•	•	•	-	•	•	•	-	-	41
<b>S-Panther</b> □ 80 x 32	8300 N	ja	■	•	•	•	•	•	•	•	-	•	•	•	-	-	42/43
□ 80 x 38	8200 J	ja	■	•	•	•	•	•	•	•	-	•	•	•	-	-	44
□ 80 x 38	CoR 8200 J	ja	■	•	•	•	•	•	•	•	-	•	•	-	-	-	45
□ 92 x 25	3400 N	ja	□/■	•	•	•	•	•	•	•	-	•	•	•	-	-	46
<b>S-Panther</b> □ 92 x 38	3300 N	ja	■	•	•	•	•	•	•	•	-	•	•	•	-	-	47/48
<i>S-Force</i> □ 92 x 38	3200 J	ja	■	•	•	•	•	•	•	•	-	•	•	•	-	-	49
<b>S-Panther</b> □ 92 x 38	3250 J	ja	■	•	•	-	•	•	•	•	-	•	•	•	-	-	50
□ 119 x 25	4400 F	ja	□/■	•	•	•	•	•	•	•	-	•	-	-	-	-	51
∅ 172	4400 F	ja	□	•	•	•	•	•	•	•	-	•	-	-	•	-	52
□ 119 x 25	4400 FN	ja	■	•	•	•	•	•	•	•	-	•	-	-	-	-	53
<b>S-Panther</b> □ 119 x 32	4300 N	ja	■	•	•	•	•	•	•	•	-	•	•	•	-	-	54/55

- not yet available      □ Sleeve bearings  
 • Available                ■ Ball bearings

Please note that these special versions are not possible for all voltages and speeds, and not in all combinations. The special versions are designed for specific customers and projects. As a rule, they are not available off the shelf and are based on minimum quantities.

Please consult your customer support representative about the feasibility of your special variant.

# Axial fans for DC operation

## Overview of technically feasible designs

Dimension	VDE, UL, CSA	SWTEC sleeve bearings / ball bearings	Speed signal	Go / NoGo alarm	Alarm with speed limit	External temperature sensor	Internal temperature sensor	PWM control input	Analog control input	Multi-options control input	Moisture protection IP >= 54 IP 68	Salt spray protection	Reversible direction of rotation	Page
Axial fans	mm	Series	OPTIONAL										P.	
	□ 119 x 38	4400	ja ■	•	•	•	•	•	•	•	•	•	•	56/57
	□ 119 x 38	4100 N	ja □/■	•	•	•	•	•	•	•	•	•	•	58
	<i>S-Force</i> □ 119 x 38	4100 NH..NH6	ja ■	•	•	•	•	•	•	•	•	•	•	59
	<i>S-Force</i> □ 119 x 38	4100 NH7..NH8	ja ■	•	•	•	•	•	•	•	•	•	•	60
	□ 119 x 38	DV 4100	ja ■	•	•	•	•	•	•	•	•	•	•	61
	□ 127 x 38	5200 N	ja ■	•	•	•	•	•	•	•	•	•	•	62
	□ 127 x 38	DV 5200	ja ■	•	•	•	•	•	•	•	•	•	•	63
	□ 135 x 38	5100 N	ja ■	•	•	•	•	•	•	•	•	•	•	64
	<i>S-Force</i> □ 140 x 51	5300	ja ■	•	•	•	•	•	•	•	•	•	•	65
	<i>S-Force</i> □ 140 x 51	5300 TD	ja ■	•	•	•	•	•	•	•	•	•	•	66
	∅ 150 x 38	7100 N	ja ■	•	•	•	•	•	•	•	•	•	•	67
	∅ 150 x 55	7200 N	ja ■	•	•	•	•	•	•	•	•	•	•	68
	172 x 150 x 51	6400	ja ■	•	•	•	•	•	•	•	•	•	•	69
	172 x 150 x 51	6400 TD	ja ■	•	•	•	•	•	•	•	•	•	•	70
	172 x 160 x 51	DV 6400	ja ■	•	•	•	•	•	•	•	•	•	•	71
	172 x 160 x 51	DV 6400 TD	ja ■	•	•	•	•	•	•	•	•	•	•	72
	<i>S-Panther</i> 172 x 160 x 51	6300 NTD	ja ■	•	•	•	•	•	•	•	•	•	•	73
	<i>S-Force</i> 172 x 160 x 51	6300 TD	ja ■	•	•	•	•	•	•	•	•	•	•	74
	<i>S-Panther</i> ∅ 172 x 51	6300 N	ja ■	•	•	•	•	•	•	•	•	•	•	75
	<i>S-Panther</i> ∅ 172 x 51	6300 NTD	ja ■	•	•	•	•	•	•	•	•	•	•	76
	<i>S-Force</i> ∅ 172 x 51	6300	ja ■	•	•	•	•	•	•	•	•	•	•	77
	<i>S-Force</i> ∅ 172 x 51	6300 TD	ja ■	•	•	•	•	•	•	•	•	•	•	78
	<i>S-Force</i> ∅ 172 x 51	DV 6300 TD	ja ■	•	•	•	•	•	•	•	•	•	•	79
	<i>S-Force</i> ∅ 200 x 51	2200 FTD	ja ■	•	•	•	•	•	•	•	•	•	•	80
	∅ 200 x 51	2200 TD	ja ■	•	•	•	•	•	•	•	•	•	•	81
	□ 225 x 80	K1G 200	ja ■	•	•	•	•	•	•	•	•	•	•	82
	□ 225 x 89	K3G 200	ja ■	•	•	•	•	•	•	•	•	•	•	84

Subject to change

- not yet available
- Sleeve bearings
- Available
- Ball bearings

Please note that these special versions are not possible for all voltages and speeds, and not in all combinations. The special versions are designed for specific customers and projects. As a rule, they are not available off the shelf and are based on minimum quantities.

Please consult your customer support representative about the feasibility of your special variant.

Max. 4.6 m<sup>3</sup>/h

## DC axial fans

□ 25 x 8 mm



- **Material:** Housing: GRP<sup>1)</sup> (PBT)  
Impeller: GRP<sup>1)</sup> (PA)
  - **Direction of air flow:** Exhaust over struts
  - **Direction of rotation:** Counterclockwise, looking towards rotor
  - **Connection:** Via single wires AWG 28, TR 64
  - **Weight:** 5 g
- **Possible special versions:** (See chapter DC fans - specials)
    - Speed signal
    - Moisture protection

1) Fiberglass-reinforced plastic

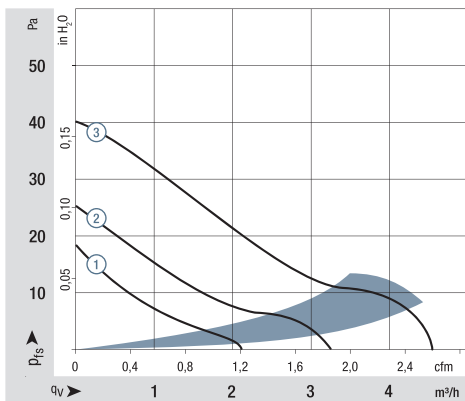
Series 250  
WVC0025AUBAS

### Nominal data

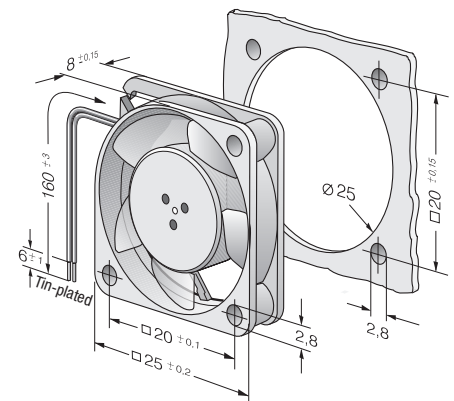
Type	Air flow		Nominal voltage	Voltage range		Sound pressure level	Sound power level	Sinter sleeve bearings Ball bearings	Power consumption	Nominal speed	Temperature range	Service life L <sub>10</sub> (20 °C) ebm-papst standard	Service life L <sub>10</sub> (60 °C) ebm-papst standard	Life expectancy L <sub>10</sub> IPC (40 °C) see page 15	Curve
	m <sup>3</sup> /h	cfm		VDC	VDC										
255 M	2.3	1.2	5	4.5...5.5	5	< 3	■	0.2	6 500	-10...+70	45 000 / 17 500	47 500	①		
255 N	3.5	1.9	5	4.5...5.5	16	< 3	■	0.4	9 600	-10...+70	40 000 / 15 000	42 500	②		
255 H	4.6	2.6	5	4.5...5.5	23	4.4	■	0.6	12 000	-10...+55	35 000 / 15 000*	37 500	③		
252 N	3.4	1.9	12	10...14	15	< 3	■	0.5	9 000	-10...+70	40 000 / 15 000	42 500	②		
252 H	4.6	2.6	12	10...14	23	4.4	■	0.7	12 000	-10...+55	35 000 / 15 000*	37 500	③		

Subject to change

\* at 55 °C



Air performance measured as per: ISO 5801.  
Installation category A, without accidental contact.  
Noise: Total sound power level L<sub>WA</sub> ISO 10302 measured on a hemisphere with a radius of 2 m.  
Sound pressure level L<sub>pA</sub> measured at 1 m distance from fan axis.  
The values given are applicable only under the specified measuring conditions and may differ depending on the installation conditions.  
In the event of deviation from the standard configuration, the parameters must be checked after installation!  
For detailed information see <http://www.ebmpapst.com/general conditions>



Max. 9 m<sup>3</sup>/h

# DC axial fans

□ 40 x 10 mm



- **Material:** Housing: GRP<sup>1)</sup> (PBT)  
Impeller: GRP<sup>1)</sup> (PA)
  - **Direction of air flow:** Exhaust over struts
  - **Direction of rotation:** Counterclockwise, looking towards rotor
  - **Connection:** Via single wires AWG 28, TR 64
  - **Highlights:** Some models are suitable for use at high ambient temperatures
  - **Weight:** 17 g
- **Possible special versions:** (See chapter DC fans - specials)
    - Speed signal
    - Go / NoGo alarm
    - Moisture protection

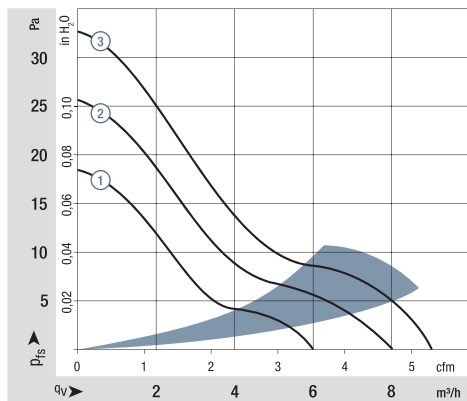
1) Fiberglass-reinforced plastic

Series 400 F  
WVC0040FUDAS

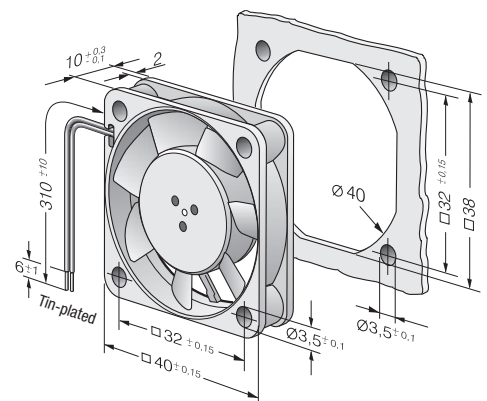
**Nominal data**

Type	Air flow		Nominal voltage	Voltage range	Sound pressure level	Sound power level	Sinter sleeve bearings Ball bearings	Power consumption	Nominal speed	Temperature range	Service life L <sub>10</sub> (20 °C) ebm-papst standard	Service life L <sub>10</sub> (60 °C) ebm-papst standard	Life expectancy L <sub>10</sub> IPC (40 °C) see page 15	Curve
	m <sup>3</sup> /h	cfm												
405 F	8	4.7	5	4.5...5.5	22.1	4.4	□	0.7	5 400	-20...+70	45 000 / 17 500	47 500	②	
405 FH	9	5.3	5	4.5...5.5	26.0	4.6	□	0.9	6 000	-20...+70	45 000 / 17 500	47 500	③	
412 FM	6	3.5	12	10...14	17.0	3.8	□	0.5	4 300	-20...+70	45 000 / 17 500	47 500	①	
412 F	8	4.7	12	10...14	22.1	4.4	□	0.7	5 400	-20...+70	45 000 / 17 500	47 500	②	
412 FH	9	5.3	12	10...14	26.0	4.6	□	0.8	6 000	-20...+70	45 000 / 17 500	47 500	③	
414 F	8	4.7	24	20...28	22.1	4.4	□	0.8	5 400	-20...+70	45 000 / 17 500	47 500	②	
414 FH	9	5.3	24	21.6...26.4	26.0	4.4	□	0.9	6 000	-20...+70	45 000 / 17 500	47 500	③	
Model with temperature range up to +85 °C.														
412 FM-074	6	3.5	12	10...14	17.0	3.8	□	0.4	4 300	-20...+85	45 000 / 17 500	47 500	①	
412 F-130	8	4.7	12	10...14	22.1	4.4	□	0.6	5 400	-20...+85	45 000 / 17 500	47 500	②	
412 FH-132	9	5.3	12	10...14	26.0	4.6	□	0.8	6 000	-20...+85	45 000 / 17 500	47 500	③	

Subject to change



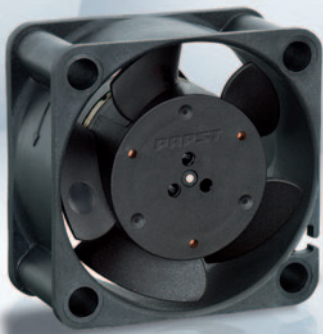
Air performance measured according to: ISO 5801.  
Installation category A, without contact protection.  
Noise: Total sound power level L<sub>WA</sub> ISO 10302 measured on a hemisphere with a radius of 2 m.  
Sound pressure level L<sub>PA</sub> measured at 1 m distance from fan axis.  
The values given are applicable only under the specified measuring conditions and may differ depending on the installation conditions.  
In the event of deviation from the standard configuration, the parameters must be checked after installation!  
For detailed information see <http://www.ebmpapst.com/general conditions>



Max. 13.5 m<sup>3</sup>/h

# DC axial fans

□ 40 x 20 mm



- **Material:** Housing: GRP<sup>1)</sup> (PBT)  
Impeller: GRP<sup>1)</sup> (PA)
  - **Direction of air flow:** Exhaust over struts
  - **Direction of rotation:** Counterclockwise, looking towards rotor
  - **Connection:** Via single wires AWG 28, TR 64
  - **Highlights:** Some models are suitable for use at high ambient temperatures
  - **Weight:** 27 g
- **Possible special versions:** (See chapter DC fans - specials)
    - Speed signal
    - Go / NoGo alarm
    - PWM control input
    - Moisture protection

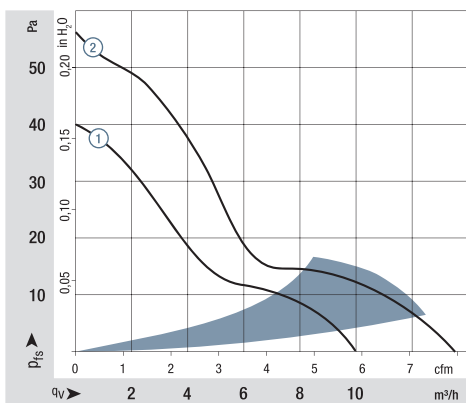
1) Fiberglass-reinforced plastic

Series 400  
WVC0040YUDBS

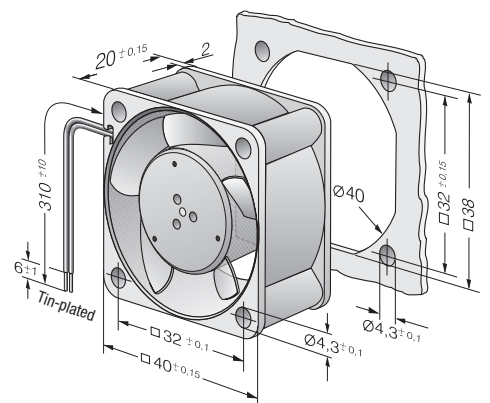
**Nominal data**

Type	Air flow		Nominal voltage	Voltage range	Sound pressure level	Sound power level	Sinter sleeve bearings Ball bearings	Power consumption	Nominal speed	Temperature range	Service life L <sub>10</sub> (20 °C) ebm-papst standard	Service life L <sub>10</sub> (60 °C) ebm-papst standard	Life expectancy L <sub>10</sub> (IPC (40 °C) see page 15	Curve
	m <sup>3</sup> /h	cfm												
405	10.0	5.9	5	4.5...5.5	18	3.8	■	0.9	6 000	-20...+70	50 000 / 20 000	52 500	52 500	①
412	10.0	5.9	12	10...14	18	3.8	■	0.8	6 000	-20...+70	50 000 / 20 000	52 500	52 500	①
412 H	13.5	7.9	12	10...14	29	4.7	■	1.6	8 100	-20...+60	45 000 / 17 500	47 500	47 500	②
414	10.0	5.9	24	20...28	18	3.8	■	1.0	6 000	-20...+70	50 000 / 20 000	52 500	52 500	①
414 H	13.5	7.9	24	20...26.5	29	4.7	■	1.7	8 100	-20...+60	45 000 / 17 500	47 500	47 500	②
Model with temperature range up to +85 °C.														
412-099	10.0	5.9	12	10...14	18	3.8	■	0.8	6 000	-20...+85	50 000 / 20 000	52 500	52 500	①

Subject to change



Air performance measured according to: ISO 5801.  
Installation category A, without contact protection.  
Noise: Total sound power level L<sub>WA</sub> ISO 10302 measured on a hemisphere with a radius of 2 m.  
Sound pressure level L<sub>PA</sub> measured at 1 m distance from fan axis.  
The values given are applicable only under the specified measuring conditions and may differ depending on the installation conditions.  
In the event of deviation from the standard configuration, the parameters must be checked after installation!  
For detailed information see <http://www.ebmpapst.com/general-conditions>



Max. 38 m<sup>3</sup>/h

# DC axial fans

□ 40 x 28 mm



- **Material:** Housing: GRP<sup>1)</sup> (PBT)  
Impeller: GRP<sup>1)</sup> (PA)
  - **Direction of air flow:** Exhaust over struts
  - **Direction of rotation:** Counterclockwise, looking towards rotor
  - **Connection:** Via single wires AWG 28, UL 1061
  - **Weight:** 45 g
- **Possible special versions:** (See chapter DC fans - specials)
    - Speed signal
    - Go / NoGo alarm
    - Alarm with speed limit
    - External temperature sensor
    - PWM control input
    - Analog control input
    - Moisture protection
    - Salt spray protection
    - Degree of protection IP 54 / IP 68

1) Fiberglass-reinforced plastic

Series 420 J  
WVC0040JUDBS

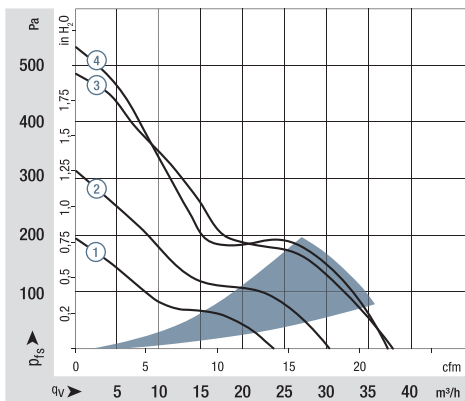
**Nominal data**

Type	Air flow		Nominal voltage	Voltage range	Sound pressure level	Sound power level	Sinter sleeve bearings Ball bearings	Power consumption	Nominal speed	Temperature range	Service life L <sub>10</sub> (40 °C) ebm-papst standard	Service life L <sub>10</sub> (T <sub>max</sub> ) ebm-papst standard	Life expectancy L <sub>10</sub> IPC (40 °C) see page 15	Curve
	m <sup>3</sup> /h	cfm												
422 JM	24	14,2	12	8...13,8	42	5,5	■	2,4	11 400	-20...+70	75 000 / 37 500	127 500	①	
422 JN	31	18,3	12	8...13,8	48	6,0	■	4,1	14 250	-20...+70	67 500 / 35 000	115 000	②	
422 JH	38	22,4	12	8...13,8	54	6,6	■	6,9	17 250	-20...+70	60 000 / 30 000	102 500	③	
424 JM	24	14,2	24	16...28	42	5,5	■	2,7	11 400	-20...+70	75 000 / 37 500	127 500	①	
424 JN	31	18,3	24	16...28	48	6,0	■	4,3	14 250	-20...+70	67 500 / 35 000	115 000	②	
424 JH	38	22,4	24	16...26,4	54	6,6	■	6,9	17 250	-20...+65	60 000 / 32 500	102 500	③	

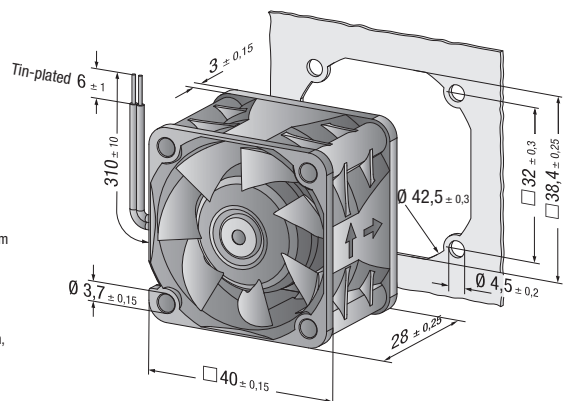
Model with degree of protection IP 68, -40 °C, speed signal and EMC - Class B.

422 J/2 HPU	37	21,8	12	8...13,8	56	6,6	■	7,5	17 250	-40...+70	60 000 / 30 000	102 500	④
424 J/2 HPU	37	21,8	24	18...28	56	6,6	■	7,0	17 250	-40...+70	60 000 / 30 000	102 500	④
428 J/2 HPU	37	21,8	48	36...60	56	6,6	■	7,0	17 250	-40...+70	60 000 / 30 000	102 500	④

Subject to change



Air performance measured according to: ISO 5801.  
Installation category A, without contact protection.  
Noise: Total sound power level L<sub>WA</sub> ISO 10302 measured on a hemisphere with a radius of 2 m.  
Sound pressure level L<sub>pA</sub> measured at 1 m distance from fan axis.  
The values given are applicable only under the specified measuring conditions and may differ depending on the installation conditions.  
In the event of deviation from the standard configuration, the parameters must be checked after installation!  
For detailed information see <http://www.ebmpapst.com/general conditions>





Max. 20 m<sup>3</sup>/h

# DC axial fans

□ 50 x 15 mm



- **Material:** Housing: GRP<sup>1)</sup> (PBT)  
Impeller: GRP<sup>1)</sup> (PA)
  - **Direction of air flow:** Exhaust over struts
  - **Direction of rotation:** Counterclockwise, looking towards rotor
  - **Connection:** Via single wires AWG 28, TR 64
  - **Highlights:** Some models are suitable for use at high ambient temperatures
  - **Weight:** 27 g
- **Possible special versions:** (See chapter DC fans - specials)
    - Speed signal
    - Go / NoGo alarm
    - PWM control input
    - Moisture protection

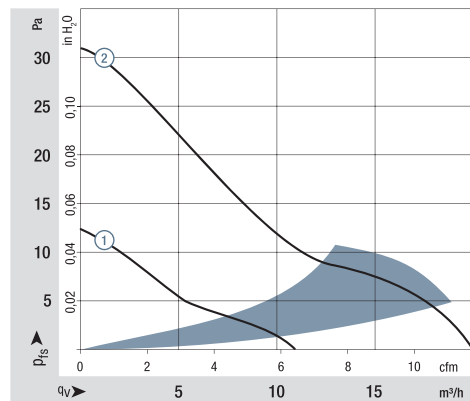
1) Fiberglass-reinforced plastic

Series 500 F  
WVC0050FUDBS

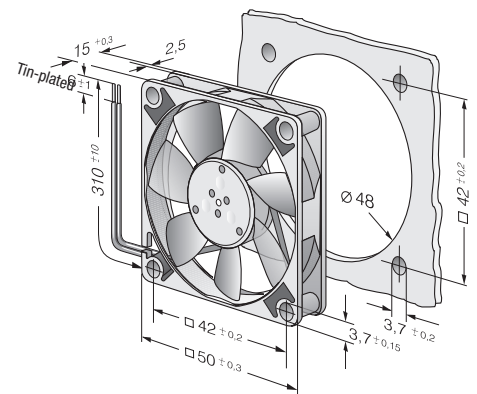
**Nominal data**

Type	Air flow		Nominal voltage	Voltage range	Sound pressure level	Sound power level	Sinter sleeve bearings Ball bearings	Power consumption	Nominal speed	Temperature range	Service life L <sub>10</sub> (20 °C) ebm-papst standard	Service life L <sub>10</sub> (60 °C) ebm-papst standard	Life expectancy L <sub>10</sub> (IPC (40 °C) see page 15	Curve
	m <sup>3</sup> /h	cfm												
512 F	20	11.8	12	10.8...13.2	30	4.5	■	0.8	5 000	-20...+70	50 000 / 20 000	52 500	52 500	②
514 F	20	11.8	24	21.6...26.4	30	4.5	■	0.9	5 000	-20...+70	50 000 / 20 000	52 500	52 500	②
Model with temperature range up to +85 °C.														
512 FL-547	11	6.5	12	10.2...13.8	18	3.7	■	0.4	3 000	-20...+85	50 000 / 20 000	52 500	52 500	①
512 F-532	20	11.8	12	10.8...13.2	30	4.5	■	0.9	5 000	-20...+85	50 000 / 20 000	52 500	52 500	②

Subject to change



Air performance measured according to: ISO 5801.  
Installation category A, without contact protection.  
Noise: Total sound power level L<sub>WA</sub> ISO 10302 measured on a hemisphere with a radius of 2 m.  
Sound pressure level L<sub>PA</sub> measured at 1 m distance from fan axis.  
The values given are applicable only under the specified measuring conditions and may differ depending on the installation conditions.  
In the event of deviation from the standard configuration, the parameters must be checked after installation!  
For detailed information see <http://www.ebmpapst.com/general conditions>



Max. 33 m<sup>3</sup>/h

# DC axial fans

□ 60 x 15 mm



- **Material:** Housing: GRP<sup>1)</sup> (PBT)  
Impeller: GRP<sup>1)</sup> (PA)
  - **Direction of air flow:** Exhaust over struts
  - **Direction of rotation:** Counterclockwise, looking towards rotor
  - **Connection:** Via single wires AWG 28, TR 64
  - **Highlights:** Some models are suitable for use at high ambient temperatures
  - **Weight:** 30 g
- **Possible special versions:** (See chapter DC fans - specials)
    - Speed signal
    - Go / NoGo alarm
    - PWM control input
    - Moisture protection

1) Fiberglass-reinforced plastic

Series 600 F  
WVC0060FUDBS

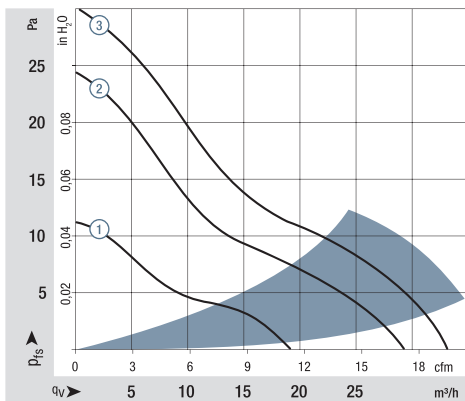
**Nominal data**

Type	Air flow		Nominal voltage	Voltage range	Sound pressure level	Sound power level	Sinter sleeve bearings Ball bearings	Power consumption	Nominal speed	Temperature range	Service life L <sub>10</sub> (20 °C) ebm-papst standard	Service life L <sub>10</sub> (60 °C) ebm-papst standard	Life expectancy L <sub>10</sub> IPC (40 °C) see page 15	Curve
	m <sup>3</sup> /h	cfm												
605 F	29	17.1	5	4.5...5.2	27	4.4	□	1.1	4 000	-20...+50	50 000 / 20 000	52 500	52 500	②
612 FL	19	11.2	12	11.5...13.2	16	3.6	□	0.4	2 650	-20...+70	50 000 / 20 000	52 500	52 500	①
612 F	29	17.1	12	10.8...13.2	27	4.4	□	1.0	3 900	-20...+70	50 000 / 20 000	52 500	52 500	②
612 FH	33	19.4	12	10.0...13.2	31	4.8	□	1.5	4 500	-20...+60	45 000 / 17 500	47 500	47 500	③
614 F	29	17.1	24	21.6...26.4	27	4.4	□	1.1	3 900	-20...+70	50 000 / 20 000	52 500	52 500	②
614 F/39 H-691	33	19.4	24	16...28	31	4.8	□	1.4	4 500	-20...+60	45 000 / 17 500	47 500	47 500	③

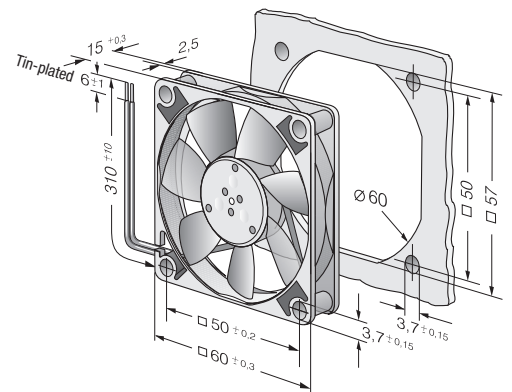
Model with temperature range up to +80 / 85 °C.

612 FL-680	19	11.2	12	11.5...14	16	3.6	□	0.5	2 650	-20...+85	50 000 / 20 000	52 500	52 500	①
612 F-637	29	17.1	12	10.8...12.6	27	4.4	□	1.0	3 900	-20...+80	50 000 / 20 000	52 500	52 500	②

Subject to change



Air performance measured according to: ISO 5801.  
Installation category A, without contact protection.  
Noise: Total sound power level L<sub>WA</sub> ISO 10302 measured on a hemisphere with a radius of 2 m.  
Sound pressure level L<sub>pA</sub> measured at 1 m distance from fan axis.  
The values given are applicable only under the specified measuring conditions and may differ depending on the installation conditions.  
In the event of deviation from the standard configuration, the parameters must be checked after installation!  
For detailed information see <http://www.ebmpapst.com/general conditions>



Max. 67 m<sup>3</sup>/h

# DC axial fans

□ 60 x 25 mm



- **Material:** Housing: GRP<sup>1)</sup> (PBT)  
Impeller: GRP<sup>1)</sup> (PA)
  - **Direction of air flow:** Exhaust over struts
  - **Direction of rotation:** Clockwise, looking towards rotor
  - **Connection:** Via single wires AWG 22, TR 64
  - **Highlights:** Very low-noise motor
  - **Weight:** 70 g
- **Possible special versions:** (See chapter DC fans - specials)
    - Speed signal
    - Go / NoGo alarm
    - Alarm with speed limit
    - External temperature sensor
    - Internal temperature sensor
    - PWM control input
    - Analog control input
    - Moisture protection

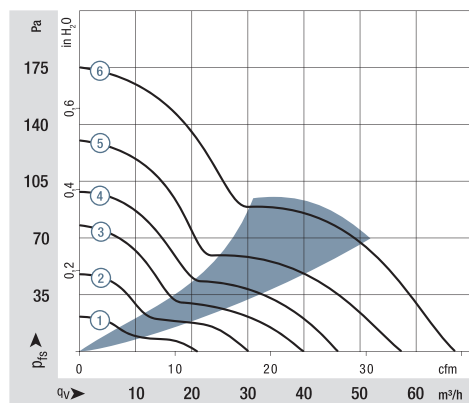
1) Fiberglass-reinforced plastic

Series 620  
WVC0060AUEBS

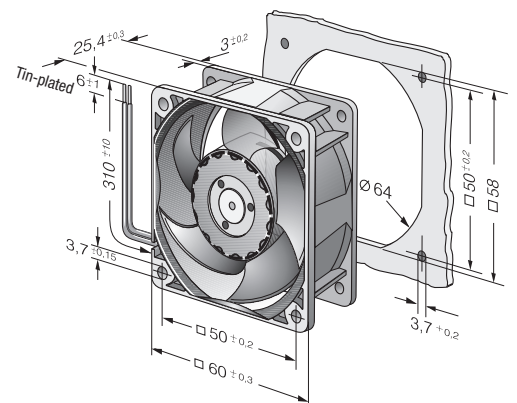
**Nominal data**

Type	Air flow		Nominal voltage	Voltage range	Sound pressure level	Sound power level	Sinter sleeve bearings Ball bearings	Power consumption	Nominal speed	Temperature range	Service life L <sub>10</sub> (40 °C) ebm-papst standard	Service life L <sub>10</sub> (T <sub>max</sub> ) ebm-papst standard	Life expectancy L <sub>10</sub> (IPC (40 °C) see page 15	Curve
	m <sup>3</sup> /h	cfm												
622 L	21	12.4	12	8...15	20	3.7	■	0.5	3 200	-20...+85	80 000 / 20 000	135 000	①	
622 M	30	17.7	12	8...15	29	4.3	■	1.0	4 550	-20...+75	77 500 / 30 000	130 000	②	
622 N	40	23.5	12	8...15	35	4.7	■	1.9	6 100	-20...+70	72 500 / 35 000	122 500	③	
622 H	46	27.1	12	8...15	39	5.1	■	2.3	6 850	-20...+70	70 000 / 35 000	117 500	④	
622 HH	56	33.0	12	8...15	43	5.6	■	3.5	8 200	-20...+70	65 000 / 32 500	110 000	⑤	
622/2 H3P	67	39.4	12	8...15	48	5.9	■	5.5	9 700	-20...+70	52 500 / 32 500	87 500	⑥	
624 L	21	12.4	24	18...28	20	3.7	■	1.0	3 200	-20...+70	80 000 / 40 000	135 000	①	
624 M	30	17.7	24	12...28	29	4.3	■	1.5	4 550	-20...+70	77 500 / 37 500	130 000	②	
624 N	40	23.5	24	12...28	35	4.7	■	2.2	6 100	-20...+70	72 500 / 35 000	122 500	③	
624 H	46	27.1	24	18...28	39	5.1	■	2.4	6 850	-20...+70	70 000 / 35 000	117 500	④	
624 HH	56	33.0	24	18...28	43	5.6	■	3.6	8 200	-20...+70	65 000 / 32 500	110 000	⑤	
624/2 H3P	67	39.4	24	18...28	48	5.9	■	5.6	9 700	-20...+60	52 500 / 32 500	87 500	⑥	
628 HH	56	33.0	48	36...60	43	5.6	■	4.2	8 200	-20...+70	65 000 / 32 500	110 000	⑤	

Subject to change



Air performance measured according to: ISO 5801.  
Installation category A, without contact protection.  
Noise: Total sound power level L<sub>WA</sub> ISO 10302 measured on a hemisphere with a radius of 2 m.  
Sound pressure level L<sub>pA</sub> measured at 1 m distance from fan axis.  
The values given are applicable only under the specified measuring conditions and may differ depending on the installation conditions.  
In the event of deviation from the standard configuration, the parameters must be checked after installation!  
For detailed information see <http://www.ebmpapst.com/general-conditions>



Max. 58 m<sup>3</sup>/h

# DC axial fans

□ 60 x 25 mm



- **Material:** Housing: GRP<sup>1)</sup> (PBT)  
Impeller: GRP<sup>1)</sup> (PA)
  - **Direction of air flow:** Exhaust over struts
  - **Direction of rotation:** Clockwise, looking towards rotor
  - **Connection:** Via single wires AWG 22, TR 64
  - **Highlights:** Developed for applications with demanding environmental requirements
  - **Weight:** 70 g
- **Possible special versions:** (See chapter DC fans - specials)
    - Speed signal
    - Go / NoGo alarm
    - Alarm with speed limit
    - External temperature sensor
    - PWM control input
    - Analog control input
    - Moisture protection
    - Salt spray protection
    - Degree of protection: IP 54 / IP 68

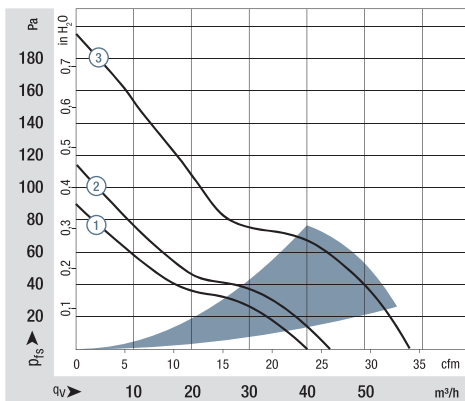
1) Fiberglass-reinforced plastic

Series 630  
WVC0060AUEBS

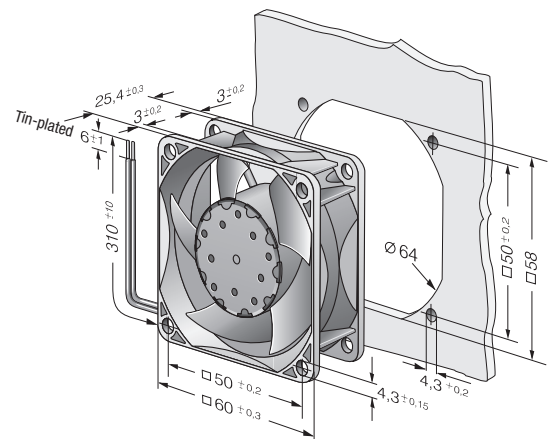
**Nominal data**

Type	Air flow		Nominal voltage	Voltage range	Sound pressure level	Sound power level	Sintec sleeve bearings Ball bearings	Power consumption	Nominal speed	Temperature range	Service life L <sub>10</sub> (40 °C) ebm-papst standard	Service life L <sub>10</sub> (T <sub>max</sub> ) ebm-papst standard	Life expectancy L <sub>10</sub> IPC (40 °C) see page 15	Curve
	m <sup>3</sup> /h	cfm												
632 NU	40	23.5	12	6...15	33	5.2	■	1.8	5 900	-20...+70	85 000 / 42 500	142 500	①	
632/2 HPU	44	25.9	12	10.8...13.2	35	5.4	■	1.5	6 300	-20...+70	85 000 / 42 500	142 500	②	
634 NU	40	23.5	24	12...30	34	5.1	■	1.6	5 900	-20...+70	85 000 / 42 500	142 500	①	
634 HHU	58	34.1	24	18...28	44	6.1	■	3.2	8 500	-20...+70	75 000 / 37 500	127 500	③	
634/2 HHPU	58	34.1	24	18...28	44	6.1	■	3.2	8 500	-40...+70	75 000 / 37 500	127 500	③	
638/2 HPU	44	25.9	48	40...60	35	5.4	■	1.8	6 300	-20...+70	85 000 / 42 500	142 500	②	
638/2 HHPU	58	34.1	48	40...60	44	6.1	■	3.2	8 500	-40...+70	75 000 / 37 500	127 500	③	

Subject to change



Air performance measured according to: ISO 5801.  
Installation category A, without contact protection.  
Noise: Total sound power level L<sub>WA</sub> ISO 10302 measured on a hemisphere with a radius of 2 m.  
Sound pressure level L<sub>PA</sub> measured at 1 m distance from fan axis.  
The values given are applicable only under the specified measuring conditions and may differ depending on the installation conditions.  
In the event of deviation from the standard configuration, the parameters must be checked after installation!  
For detailed information see <http://www.ebmpapst.com/general conditions>



Max. 56 m<sup>3</sup>/h

# DC axial fans

□ 60 x 25 mm



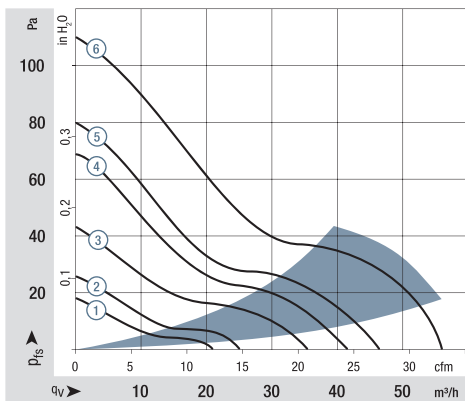
- **Material:** Housing: GRP<sup>1)</sup> (PBT)  
Impeller: GRP<sup>1)</sup> (PA)
  - **Direction of air flow:** Exhaust over struts
  - **Direction of rotation:** Clockwise, looking towards rotor
  - **Connection:** Via single wires AWG 22, TR 64
  - **Highlights:** Some models are suitable for use at high ambient temperatures up to 85 °C.
  - **Weight:** 66 g
- **Possible special versions:** (See chapter DC fans - specials)
    - Speed signal
    - Go / NoGo alarm
    - Moisture protection
    - Degree of protection: IP 54 / IP 68

1) Fiberglass-reinforced plastic

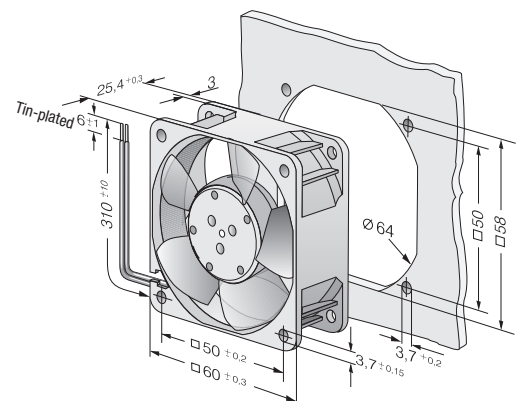
Series 600 N  
WVC0060YUEBS

**Nominal data**

Type	Air flow		Nominal voltage	Voltage range	Sound pressure level	Sound power level	Sinter sleeve bearings Ball bearings	Power consumption	Nominal speed	Temperature range	Service life L <sub>10</sub> (40 °C) ebm-papst standard	Service life L <sub>10</sub> (T <sub>max</sub> ) ebm-papst standard	Life expectancy L <sub>10</sub> (IPC (40 °C) see page 15	Curve
	m <sup>3</sup> /h	cfm												
612 NGL	21	12.4	12	8...15	16	3.6	□	0.6	2 500	-20...+85	80 000 / 27 500	135 000	①	
612 NLE	21	12.4	12	8...15	16	3.6	■	0.4	2 500	-20...+85	80 000 / 27 500	135 000	①	
612 NGMLE	25	14.7	12	8...15	19	3.9	□	0.7	3 000	-20...+80	80 000 / 32 500	135 000	②	
612 NMLE	25	14.7	12	8...15	19	3.9	■	0.4	3 000	-20...+85	80 000 / 27 500	135 000	②	
612 NGME	35	20.6	12	8...15	28	4.6	□	1.2	4 100	-20...+75	80 000 / 35 000	135 000	③	
612 NME	35	20.6	12	8...15	28	4.6	■	0.8	4 100	-20...+75	80 000 / 35 000	135 000	③	
612 NN	40	23.5	12	8...15	35	5.0	■	1.5	5 100	-20...+70	70 000 / 35 000	117 500	④	
612 NH	43	25.3	12	8...15	37	5.3	■	1.8	5 600	-20...+70	70 000 / 35 000	117 500	⑤	
612 NHH-118	56	33.0	12	8...15	41	5.7	■	2.9	6 800	-20...+70	60 000 / 30 000	102 500	⑥	
614 NGL	21	12.4	24	18...28	16	3.6	□	1.0	2 500	-20...+70	80 000 / 40 000	135 000	①	
614 NL	21	12.4	24	18...28	16	3.6	■	0.8	2 500	-20...+70	80 000 / 40 000	135 000	①	
614 NGML	25	14.7	24	18...28	19	3.9	□	1.2	3 000	-20...+70	80 000 / 40 000	135 000	②	
614 NML	25	14.7	24	18...28	19	3.9	■	1.0	3 000	-20...+70	80 000 / 40 000	135 000	②	
614 NGM	35	20.6	24	18...28	28	4.6	□	1.7	4 100	-20...+70	80 000 / 40 000	135 000	③	
614 NM	35	20.6	24	18...28	28	4.6	■	1.3	4 100	-20...+70	80 000 / 40 000	135 000	③	
614 NN	40	23.5	24	18...28	35	5.0	■	1.8	5 100	-20...+70	70 000 / 35 000	117 500	④	
614 NH	43	25.3	24	18...26	37	5.3	■	2.1	5 600	-20...+70	70 000 / 35 000	117 500	⑤	
614 NHH	56	33.0	24	18...26	41	5.7	■	2.9	6 850	-20...+70	60 000 / 30 000	102 500	⑥	
614 NHH-119	56	33.0	24	18...28	41	5.7	■	2.9	6 850	-20...+70	60 000 / 30 000	102 500	⑥	
618 NM	35	20.6	48	36...56	28	4.6	■	1.9	4 100	-20...+70	80 000 / 40 000	135 000	③	
618 NN	40	23.5	48	36...56	35	5.0	■	2.1	5 100	-20...+65	70 000 / 40 000	117 500	④	



Air performance measured according to: ISO 5801.  
Installation category A, without contact protection.  
Noise: Total sound power level L<sub>WA</sub> ISO 10302 measured on a hemisphere with a radius of 2 m.  
Sound pressure level L<sub>pA</sub> measured at 1 m distance from fan axis.  
The values given are applicable only under the specified measuring conditions and may differ depending on the installation conditions.  
In the event of deviation from the standard configuration, the parameters must be checked after installation!  
For detailed information see <http://www.ebmpapst.com/general conditions>



Max. 82 m<sup>3</sup>/h

# DC axial fans

□ 60 x 32 mm



- **Material:** Housing: GRP<sup>1)</sup> (PBT)  
Impeller: GRP<sup>1)</sup> (PA)
  - **Direction of air flow:** Exhaust over struts
  - **Direction of rotation:** Clockwise, looking towards rotor
  - **Connection:** Via single wires AWG 24, TR 64
  - **Weight:** 100 g
- **Possible special versions:** (See chapter DC fans - specials)
    - Speed signal
    - Go / NoGo alarm
    - Alarm with speed limit
    - External temperature sensor
    - PWM control input
    - Analog control input
    - Moisture protection

1) Fiberglass-reinforced plastic

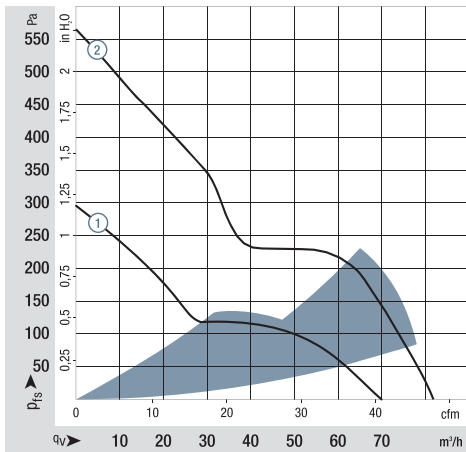
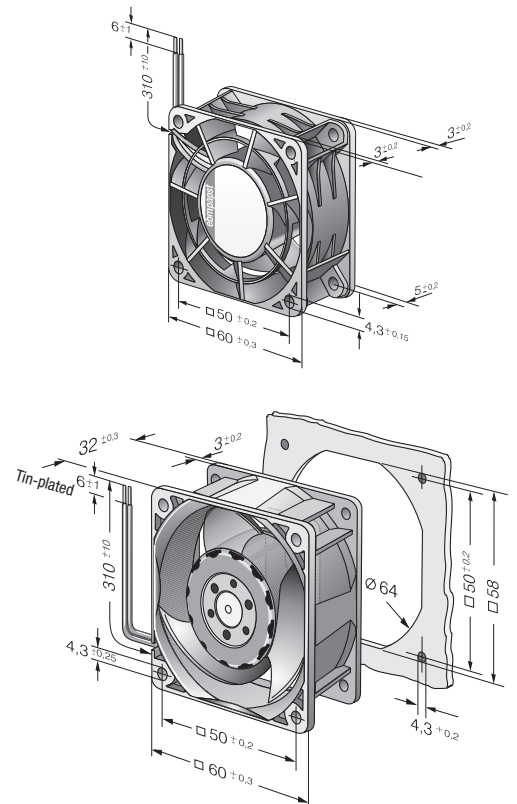
Series 600 J  
WVC0060JUECS

**Nominal data**

Type	Air flow		Nominal voltage	Voltage range	Sound pressure level	Sound power level	Sinter sleeve bearings Ball bearings	Power consumption	Nominal speed	Temperature range	Service life L <sub>10</sub> (40 °C) ebm-papst standard	Service life L <sub>10</sub> (T <sub>max</sub> ) ebm-papst standard	Life expectancy L <sub>10</sub> (IPC (40 °C) see page 15	Curve
	m <sup>3</sup> /h	cfm												
612 JH	70	41.2	12	7...13.6	53	6.4	■	7.7	11 700	-20...+70	57 500 / 27 500	97 500	97 500	①
614 JH	70	41.2	24	14...26.4	53	6.4	■	7.7	11 700	-20...+70	57 500 / 27 500	97 500	97 500	①
618 JH	70	41.2	48	36...56	53	6.4	■	7.7	11 700	-20...+70	57 500 / 27 500	97 500	97 500	①
Fan types with streamer and integrated guard grille.														
614 J/2 HHP	82	48.3	24	18...30	62	7.6	■	14.6	15 000	-20...+75	65 000 / 25 000	110 000	110 000	②
618 J/2 HHP	82	48.3	48	38...58	62	7.6	■	14.6	15 000	-20...+75	65 000 / 25 000	110 000	110 000	②

Subject to change

Rear view of types 614 J/2 HHP and 618 J/2 HHP



Air performance measured according to: ISO 5801.  
Installation category A, without contact protection.  
Noise: Total sound power level L<sub>WA</sub> ISO 10302 measured on a hemisphere with a radius of 2 m.  
Sound pressure level L<sub>pA</sub> measured at 1 m distance from fan axis.  
The values given are applicable only under the specified measuring conditions and may differ depending on the installation conditions.  
In the event of deviation from the standard configuration, the parameters must be checked after installation!  
For detailed information see [http://www.ebmpapst.com/general\\_conditions](http://www.ebmpapst.com/general_conditions)

Max. 44 m<sup>3</sup>/h

# DC axial fans

□ 70 x 15 mm



- **Material:** Housing: GRP<sup>1)</sup> (PBT)  
Impeller: GRP<sup>1)</sup> (PA)
  - **Direction of air flow:** Exhaust over struts
  - **Direction of rotation:** Counterclockwise, looking towards rotor
  - **Connection:** Via single wires AWG 24 to AWG 28, TR 64
  - **Weight:** 53 g
- **Possible special versions:** (See chapter DC fans - specials)
    - Speed signal
    - Go / NoGo alarm
    - Moisture protection

1) Fiberglass-reinforced plastic

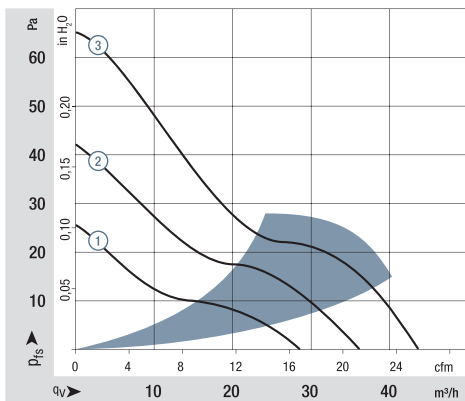
Series 700 F  
WVC0070FUEAS

**Nominal data**

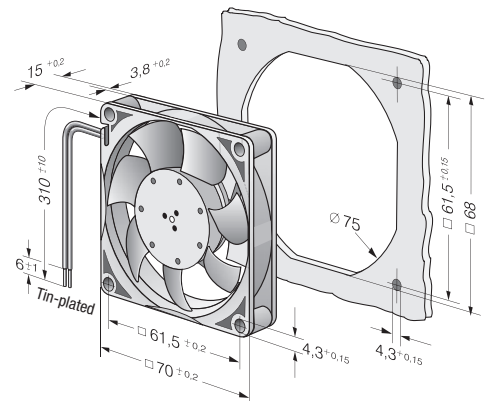
Type	Air flow	Air flow	Nominal voltage	Voltage range	Sound pressure level	Sound power level	Sintec sleeve bearings Ball bearings	Power consumption	Nominal speed	Temperature range	Service life L <sub>10</sub> (40 °C) ebm-papst standard	Service life L <sub>10</sub> (T <sub>max</sub> ) ebm-papst standard	Life expectancy L <sub>10</sub> IPC (40 °C) see page 15	Curve
	m <sup>3</sup> /h	cfm	VDC	VDC	dB(A)	Bel(A)	□ / ■	Watts	rpm <sup>-1</sup>	°C	Hours	Hours	Hours	
712 F/2L-005*	28	16.5	12	8...13.8	25	4.7	□	0.6	3 300	-20...+70	60 000 / 30 000	102 500	102 500	①
712 F/2M-006*	36	21.2	12	8...13.8	32	5.0	□	1.1	4 300	-20...+70	60 000 / 30 000	102 500	102 500	②
712 F	44	25.9	12	8...13.8	38	5.3	□	1.7	5 300	-20...+70	60 000 / 30 000	102 500	102 500	③
714 F	44	25.9	24	18...28	38	5.3	□	1.5	5 300	-20...+70	60 000 / 30 000	102 500	102 500	③

Subject to change

\*Version with 3-pin Molex plug housing 22-01-2035  
Molex Contacts 08-50-0113



Air performance measured according to: ISO 5801.  
Installation category A, without contact protection.  
Noise: Total sound power level L<sub>WA</sub> ISO 10302 measured on a hemisphere with a radius of 2 m.  
Sound pressure level L<sub>pA</sub> measured at 1 m distance from fan axis.  
The values given are applicable only under the specified measuring conditions and may differ depending on the installation conditions.  
In the event of deviation from the standard configuration, the parameters must be checked after installation!  
For detailed information see <http://www.ebmpapst.com/general conditions>



Max. 117 m<sup>3</sup>/h

# DC axial fans

□ 80 x 25 mm



- **Material:** Housing: GRP<sup>1)</sup> (PBT)  
Impeller: GRP<sup>1)</sup> (PA)
  - **Direction of air flow:** Exhaust over struts
  - **Direction of rotation:** Counterclockwise, looking towards rotor
  - **Connection:** Via single wires AWG 24, TR 64
  - **Highlights:** Very low-noise motor
  - **Weight:** 105 g
- **Possible special versions:** (See chapter DC fans - specials)
    - Speed signal
    - Go / NoGo alarm
    - Alarm with speed limit
    - External temperature sensor
    - Internal temperature sensor
    - PWM control input
    - Analog control input
    - Moisture protection

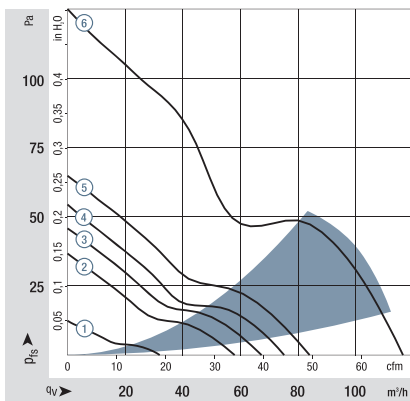
1) Fiberglass-reinforced plastic

Series 8450  
WVC0080AUEBS

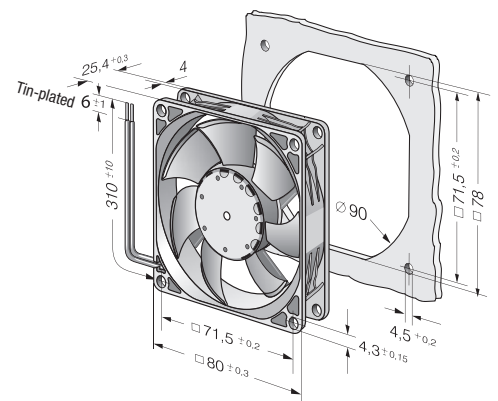
**Nominal data**

Type	Air flow		Nominal voltage	Voltage range		Sound pressure level		Sinter sleeve bearings Ball bearings	Power consumption	Nominal speed	Temperature range	Service life L <sub>10</sub> (40 °C) ebm-papst standard	Service life L <sub>10</sub> (T <sub>max</sub> ) ebm-papst standard	Life expectancy L <sub>10</sub> (IPC (40 °C) see page 15	Curve
	m <sup>3</sup> /h	cfm		VDC	VDC	dB(A)	Bel(A)								
8452/2 L	32	18.8	12	8...15	14	3.3	■	0.4	1 700	-20...75	80 000 / 35 000	135 000	①		
8452 M	58	34.1	12	8...15	32	4.7	■	1.3	3 100	-20...75	80 000 / 35 000	135 000	②		
8452/2 N	68	40.0	12	8...15	36	5.0	■	1.8	3 600	-20...70	70 000 / 35 000	117 500	③		
Models with 25 kHz PWM control and speed signal to 4-wire specification.															
8452/2 HP	75	44.1	12	10.8...13.2	38	5.3	■	2.5	4 000	-20...70	70 000 / 35 000	117 500	④		
8452/2 HHP	83	48.8	12	10.8...13.2	42	5.5	■	3.5	4 400	-20...60	65 000 / 40 000	110 000	⑤		
Models with 1-30 kHz PWM control and speed signal.															
8452/2 H4P	117	68.8	12	8...15	50	6.4	■	6.8	6 200	-20...70	60 000 / 30 000	102 500	⑥		
8454/2 H4P	117	68.8	24	20.0...26.4	50	6.4	■	6.8	6 200	-20...70	60 000 / 30 000	102 500	⑥		

Subject to change



Air performance measured according to: ISO 5801.  
Installation category A, without contact protection.  
Noise: Total sound power level L<sub>WA</sub> ISO 10302 measured on a hemisphere with a radius of 2 m.  
Sound pressure level L<sub>pA</sub> measured at 1 m distance from fan axis.  
The values given are applicable only under the specified measuring conditions and may differ depending on the installation conditions.  
In the event of deviation from the standard configuration, the parameters must be checked after installation!  
For detailed information see <http://www.ebmpapst.com/general conditions>





Max. 79 m<sup>3</sup>/h

# DC axial fans

□ 80 x 25 mm



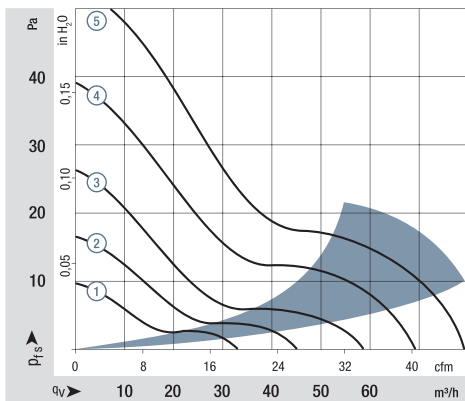
- **Material:** Housing: GRP<sup>1)</sup> (PBT)  
Impeller: GRP<sup>1)</sup> (PA)
  - **Direction of air flow:** Exhaust over struts
  - **Direction of rotation:** Counterclockwise, looking towards rotor
  - **Connection:** Via single wires AWG 24, TR 64
  - **Highlights:** Some models are suitable for use at high ambient temperatures up to 85 °C.
  - **Weight:** 95 g
- **Possible special versions:** (See chapter DC fans - specials)
    - Speed signal
    - Go / NoGo alarm
    - Alarm with speed limit
    - External temperature sensor
    - Internal temperature sensor
    - PWM control input
    - Analog control input
    - Moisture protection
    - Degree of protection: IP 54 / IP 68

1) Fiberglass-reinforced plastic

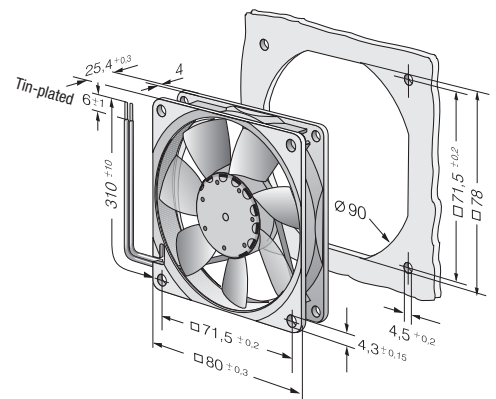
Series 8400 N  
WVC0080YUEBS

**Nominal data**

Type	Air flow		Nominal voltage	Voltage range	Sound pressure level	Sound power level	Sinter sleeve bearings Ball bearings	Power consumption	Nominal speed	Temperature range	Service life L <sub>10</sub> (40 °C) ebm-papst standard	Service life L <sub>10</sub> (T <sub>max</sub> ) ebm-papst standard	Life expectancy L <sub>10</sub> (IPC (40 °C) see page 15	Curve
	m <sup>3</sup> /h	cfm												
8412 NGL	33	19.4	12	8...15	12	3.5	■	0.5	1 500	-20...+85	80 000 / 27 500	135 000	①	
8412 NLE	33	19.4	12	8...15	17	3.7	■	0.3	1 500	-20...+85	80 000 / 27 500	135 000	①	
8412 NGMLE	45	26.5	12	8...15	19	3.9	■	0.9	2 050	-20...+80	80 000 / 32 500	135 000	②	
8412 NMLE	45	26.5	12	8...15	21	4.0	■	0.6	2 050	-20...+85	80 000 / 27 500	135 000	②	
8412 NGME	58	34.1	12	8...15	26	4.3	■	1.4	2 600	-20...+75	80 000 / 35 000	135 000	③	
8412 NME	58	34.1	12	8...15	27	4.4	■	1.0	2 600	-20...+75	80 000 / 35 000	135 000	③	
8412 NG	69	40.6	12	8...15	32	4.7	■	2.0	3 100	-20...+70	70 000 / 35 000	117 500	④	
8412 N	69	40.6	12	8...15	32	4.7	■	1.7	3 100	-20...+70	70 000 / 35 000	117 500	④	
8412 NH	79	46.5	12	8...13.2	37	5.0	■	2.1	3 600	-20...+70	70 000 / 35 000	117 500	⑤	
8412 NH-217	79	46.5	12	8...15	37	5.0	■	2.5	3 600	-20...+70	70 000 / 35 000	117 500	⑤	
8414 NGL	33	19.4	24	18...28	12	3.5	■	0.9	1 500	-20...+70	80 000 / 40 000	135 000	①	
8414 NL	33	19.4	24	18...28	17	3.7	■	0.8	1 500	-20...+70	80 000 / 40 000	135 000	①	
8414 NGML	45	26.5	24	18...28	19	3.9	■	1.2	2 050	-20...+70	80 000 / 40 000	135 000	②	
8414 NML	45	26.5	24	18...28	21	4.0	■	1.1	2 050	-20...+70	80 000 / 40 000	135 000	②	
8414 NGM	58	34.1	24	18...28	26	4.3	■	1.4	2 600	-20...+70	80 000 / 40 000	135 000	③	
8414 NM	58	34.1	24	18...28	27	4.4	■	1.4	2 600	-20...+70	80 000 / 40 000	135 000	③	
8414 NG	69	40.6	24	18...28	32	4.7	■	2.2	3 100	-20...+70	70 000 / 35 000	117 500	④	
8414 N	69	40.6	24	18...28	32	4.7	■	1.8	3 100	-20...+70	70 000 / 35 000	117 500	④	
8414 NH	79	46.5	24	18...26	37	5.0	■	2.4	3 600	-20...+70	70 000 / 35 000	117 500	⑤	
8414 NH-221	79	46.5	24	18...28	37	5.0	■	2.2	3 600	-20...+70	70 000 / 35 000	117 500	⑤	
8418 N	69	40.6	48	36...56	32	4.7	■	2.0	3 100	-20...+70	70 000 / 35 000	117 500	④	



Air performance measured according to: ISO 5801.  
Installation category A, without contact protection.  
Noise: Total sound power level L<sub>WA</sub> ISO 10302 measured on a hemisphere with a radius of 2 m.  
Sound pressure level L<sub>PA</sub> measured at 1 m distance from fan axis.  
The values given are applicable only under the specified measuring conditions and may differ depending on the installation conditions.  
In the event of deviation from the standard configuration, the parameters must be checked after installation!  
For detailed information see <http://www.ebmpapst.com/general conditions>



Max. 130 m<sup>3</sup>/h  
**S-Panther**

## DC axial fans

□ 80 x 32 mm



- **Material:** Housing: GRP<sup>1)</sup> (PBT)  
Impeller: GRP<sup>1)</sup> (PA)
  - **Direction of air flow:** Exhaust over struts
  - **Direction of rotation:** Counterclockwise, looking towards rotor
  - **Connection:** Via single wires AWG 26, TR 64
  - **Weight:** 160 g
- **Possible special versions:** (See chapter DC fans - specials)
    - Speed signal
    - Go / NoGo alarm
    - Alarm with speed limit
    - External temperature sensor
    - Internal temperature sensor
    - PWM control input
    - Analog control input
    - Moisture protection
    - Salt spray protection
    - Degree of protection: IP 54 / IP 68

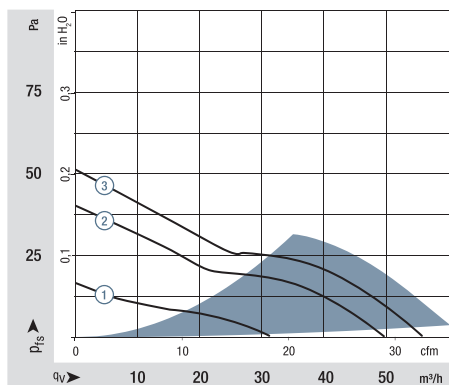
1) Fiberglass-reinforced plastic

Series 8300 N  
 WVC0080PUFBS

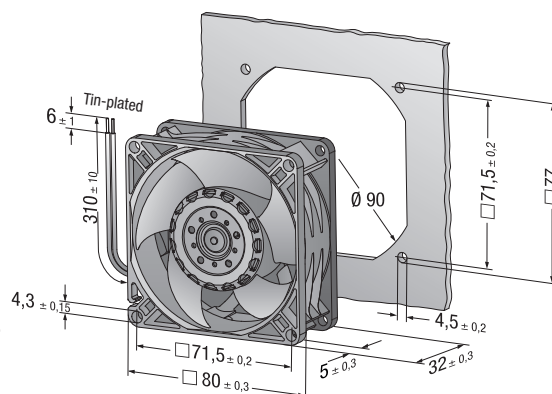
### Nominal data

Type	Air flow		Nominal voltage		Voltage range		Sound pressure level	Sound power level	Sintec sleeve bearings Ball bearings	Power consumption	Nominal speed	Temperature range	Service life L <sub>10</sub> (40 °C) ebm-papst standard	Service life L <sub>10</sub> (T <sub>max</sub> ) ebm-papst standard	Life expectancy L <sub>10</sub> IPC (40 °C) see page 15	Curve
	m <sup>3</sup> /h	cfm	VDC	VDC	dB(A)	Bel(A)	□ / ■	Watts	rpm <sup>-1</sup>	°C	Hours	Hours	Hours	Hours		
8312 NL	32	19	12	6...15	24	4.0	■	1.0	2 300	-20...+75	105 000 / 42 500	180 000	①			
8312 NM	50	30	12	6...15	32	4.5	■	1.5	3 300	-20...+75	102 500 / 40 000	170 000	②			
8312 NN	56	33	12	6...15	33	4.7	■	1.8	3 700	-20...+75	97 500 / 37 500	162 500	③			
8314 NN	56	33	24	12...28	33	4.7	■	1.8	3 700	-20...+75	97 500 / 37 500	162 500	③			
8318 NN	56	33	48	36...60	33	4.7	■	1.5	3 700	-20...+75	97 500 / 37 500	162 500	③			

Subject to change



Air performance measured according to: ISO 5801.  
 Installation category A, without contact protection.  
 Noise: Total sound power level L<sub>pA</sub> ISO 10302 measured on a hemisphere with a radius of 2 m.  
 Sound pressure level L<sub>pA</sub> measured at 1 m distance from fan axis.  
 The values given are applicable only under the specified measuring conditions and may differ depending on the installation conditions.  
 In the event of deviation from the standard configuration, the parameters must be checked after installation!  
 For detailed information see <http://www.ebmpapst.com/general conditions>



Max. 130 m<sup>3</sup>/h  
**S-Panther**

## DC axial fans

□ 80 x 32 mm



- **Material:** Housing: GRP<sup>1)</sup> (PBT)  
Impeller: GRP<sup>1)</sup> (PA)
  - **Direction of air flow:** Exhaust over struts
  - **Direction of rotation:** Counterclockwise, looking towards rotor
  - **Connection:** Via single wires AWG 26, TR 64
  - **Weight:** 160 g
- **Possible special versions:**  
(See chapter DC fans - specials)
    - Speed signal
    - Go / NoGo alarm
    - Alarm with speed limit
    - External temperature sensor
    - Internal temperature sensor
    - PWM control input
    - Analog control input
    - Moisture protection
    - Salt spray protection
    - Degree of protection: IP 54 / IP 68

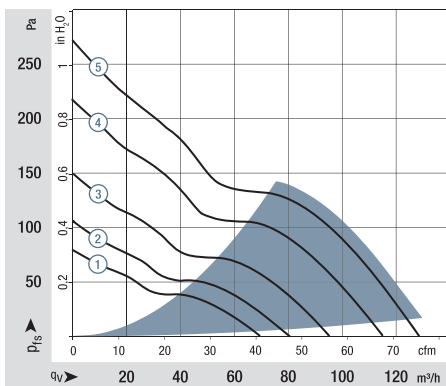
1) Fiberglass-reinforced plastic

Series 8300 N  
WVC0080PUFBS

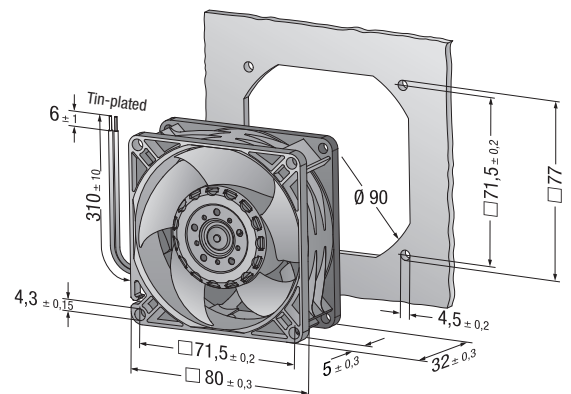
### Nominal data

Type	Air flow		Nominal voltage		Sound pressure level		Sound power level	Sintec sleeve bearings Ball bearings	Power consumption	Nominal speed	Temperature range	Service life L <sub>10</sub> (40 °C) ebm-papst standard	Service life L <sub>10</sub> (T <sub>max</sub> ) ebm-papst standard	Life expectancy L <sub>10</sub> IPC (40 °C) see page 15	Curve
	m <sup>3</sup> /h	cfm	VDC	VDC	dB(A)	Bel(A)									
8312 NHL	70	41	12	6...15	39	5.2	■	2.9	4 600	-20...+75	92 500 / 37 500	155 000	①		
8312 NH	80	47	12	6...15	42	5.5	■	4.0	5 300	-20...+75	82 500 / 32 500	140 000	②		
8312 NHH	95	56	12	6...15	48	6.0	■	5.4	6 300	-20...+75	72 500 / 27 500	120 000	③		
8312 NH3	115	68	12	6...13.2	53	6.6	■	9.4	7 600	-20...+75	57 500 / 25 000	100 000	④		
8312 NH4	130	77	12	6...12.8	56	6.9	■	12.6	8 500	-20...+60	52 500 / 32 500	87 500	⑤		
8314 NHL	70	41	24	12...28	39	5.2	■	2.6	4 600	-20...+75	92 500 / 37 500	155 000	①		
8314 NH	80	47	24	12...28	42	5.5	■	3.6	5 300	-20...+75	82 500 / 32 500	140 000	②		
8314 NHH	95	56	24	12...28	48	6.0	■	5.0	6 300	-20...+75	72 500 / 27 500	120 000	③		
8314 NH3	115	68	24	12...28	53	6.6	■	8.8	7 600	-20...+75	57 500 / 25 000	100 000	④		
8314 N/2H3P	115	68	24	18...28	53	6.6	■	8.0	7 600	-20...+75	75 000 / 30 000	127 500	④		
8318 NHL	70	41	48	36...60	39	5.2	■	2.3	4 600	-20...+75	92 500 / 37 500	155 000	①		
8318 NH	80	47	48	36...60	42	5.5	■	3.5	5 300	-20...+75	82 500 / 32 500	140 000	②		
8318 NHH	95	56	48	36...60	48	6.0	■	5.8	6 300	-20...+75	72 500 / 27 500	120 000	③		
8318 NH3	115	68	48	36...52.8	53	6.6	■	8.9	7 600	-20...+75	57 500 / 25 000	100 000	④		

Änderungen vorbehalten



Air performance measured according to: ISO 5801.  
Installation category A, without contact protection.  
Noise: Total sound power level L<sub>WA</sub> ISO 10302 measured on a hemisphere with a radius of 2 m.  
Sound pressure level L<sub>pA</sub> measured at 1 m distance from fan axis.  
The values given are applicable only under the specified measuring conditions and may differ depending on the installation conditions.  
In the event of deviation from the standard configuration, the parameters must be checked after installation!  
For detailed information see <http://www.ebmpapst.com/general conditions>



Max. 222 m<sup>3</sup>/h

# DC axial fans

□ 80 x 38 mm



- **Material:** Housing: GRP<sup>1)</sup> (PBT)  
Impeller: GRP<sup>1)</sup> (PA)
  - **Direction of air flow:** Exhaust over struts
  - **Direction of rotation:** Counterclockwise, looking towards rotor
  - **Connection:** Via single wires AWG 24 (H3 and H4: AWG 22), TR 64
  - **Weight:** 160 g (H3 and H4: 200 g)
- **Possible special versions:** (See chapter DC fans - specials)
    - Speed signal
    - Go / NoGo alarm
    - Alarm with speed limit
    - External temperature sensor
    - Internal temperature sensor
    - PWM control input
    - Analog control input
    - Moisture protection
    - Degree of protection: IP 54 / IP 68

1) Fiberglass-reinforced plastic

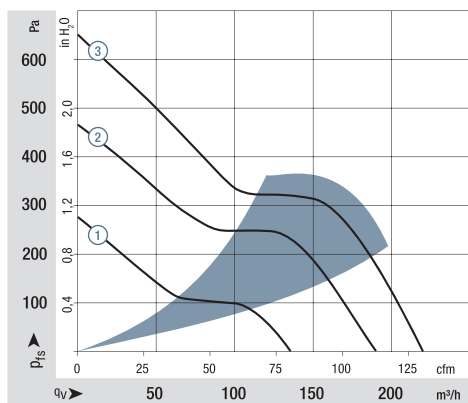
Series 8200 J  
WVC0080JUFBS

**Nominal data**

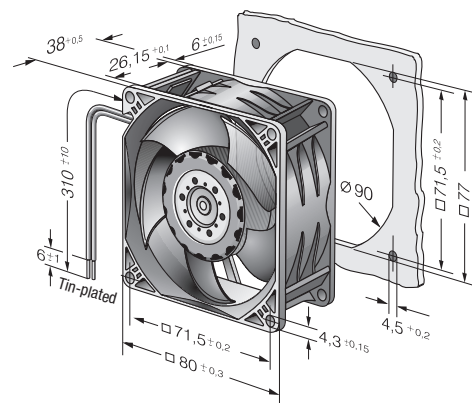
Type	Air flow		Nominal voltage	Voltage range	Sound pressure level	Sound power level	Sinter sleeve bearings Ball bearings	Power consumption	Nominal speed	Temperature range	Service life L <sub>10</sub> (40 °C) ebm-papst standard	Service life L <sub>10</sub> (T <sub>max</sub> ) ebm-papst standard	Life expectancy L <sub>10</sub> (IPC (40 °C) see page 15	Curve
	m <sup>3</sup> /h	cfm												
8212 JN	132	78	12	7...13.8	55	6.6	■	10	8 400	-20...+70	62 500 / 32 500	105 000	①	
8212 JH3 <i>S-Force</i>	190	112	12	6...13.8	66	7.3	■	26*	12 000	-20...+70	55 000 / 27 500	92 500	②	
8212 JH4 <i>S-Force</i>	222	131	12	6...13.8	71	7.8	■	39*	14 000	-20...+70	50 000 / 25 000	85 000	③	
8214 JN	132	78	24	18...26.4	55	6.6	■	11	8 400	-20...+70	62 500 / 32 500	105 000	①	
8214 JH3 <i>S-Force</i>	190	112	24	12...27.6	66	7.3	■	26*	12 000	-20...+70	55 000 / 27 500	92 500	②	
8214 JH4 <i>S-Force</i>	222	131	24	12...27.6	71	7.8	■	38*	14 000	-20...+70	50 000 / 25 000	85 000	③	
8218 JN	132	78	48	36...53	55	6.6	■	11	8 400	-20...+70	62 500 / 32 500	105 000	①	
8218 JH3 <i>S-Force</i>	190	112	48	36...53	66	7.3	■	25*	12 000	-20...+70	55 000 / 27 500	92 500	②	
8218 JH4 <i>S-Force</i>	222	131	48	20...58	71	7.8	■	36*	14 000	-20...+70	50 000 / 25 000	85 000	③	

Subject to change

8200 JH3 and JH4 also available as standard with PWM control input and speed signal.  
Speed control range from 2000 rpm<sup>-1</sup> up to maximum nominal speed. Standstill at 0% PWM, maximum speed if control cable is interrupted.  
\* Power consumption at free air flow. These values can be significantly higher in the operating point.



Air performance measured according to: ISO 5801.  
Installation category A, without contact protection.  
Noise: Total sound power level L<sub>WA</sub> ISO 10302 measured on a hemisphere with a radius of 2 m.  
Sound pressure level L<sub>pA</sub> measured at 1 m distance from fan axis.  
The values given are applicable only under the specified measuring conditions and may differ depending on the installation conditions.  
In the event of deviation from the standard configuration, the parameters must be checked after installation!  
For detailed information see <http://www.ebmpapst.com/general-conditions>



Max. 232 m<sup>3</sup>/h  
**S-Force**

# DC axial fan unit

□ 80 x 80 mm



- **Material:** Housing: GRP<sup>1)</sup> (PBT)  
Impeller: GRP<sup>1)</sup> (PA)
  - **Direction of air flow:** Exhaust over struts
  - **Direction of rotation:** Counterclockwise, looking towards rotor
  - **Connection:** Via single wires AWG 22, TR 64
  - **Weight:** 430 g
- **Possible special versions:**  
(See chapter DC fans - specials)
    - Speed signal
    - Go / NoGo alarm
    - Alarm with speed limit
    - External temperature sensor
    - Internal temperature sensor
    - PWM control input
    - Analog control input
    - Moisture protection
    - Degree of protection: IP 54

1) Fiberglass-reinforced plastic

Series CoR 8200 J  
VWK0075XUFBS  
Co-Rotating with  
Honeycomb

**Nominal data**

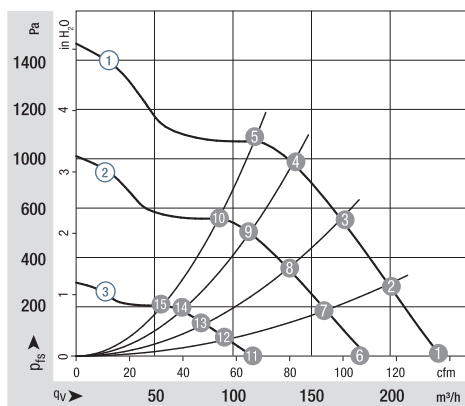
Type	Air flow		Nominal voltage	Voltage range	Sound pressure level		Sintec sleeve bearings Ball bearings	Power consumption	Nominal speed	Temperature range	Service life L <sub>10</sub> (40 °C) ebm-papst standard	Service life L <sub>10</sub> (T <sub>max</sub> ) ebm-papst standard	Life expectancy L <sub>10</sub> IPC (40 °C) see page 15
	m <sup>3</sup> /h	cfm			VDC	VDC							
CoR 8212 J/2H4P	232	136	12	6...13.8	90	8.7	■	70**	14 000	-20...+70	50 000 / 25 000	85 000	
CoR 8214 J*	232	136	24	12...27.6	90	8.7	■	67**	14 000	-20...+70	50 000 / 25 000	85 000	
CoR 8218 J*	232	136	48	20...58	90	8.7	■	65**	14 000	-20...+70	50 000 / 25 000	85 000	

Subject to change  
\* On request

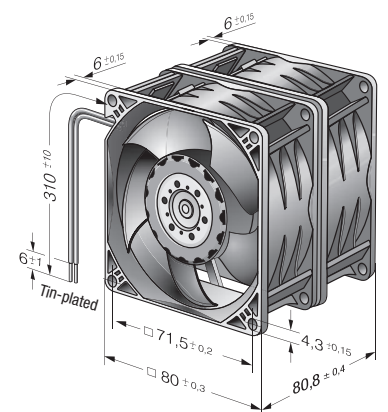
\*\* Power consumption at free air flow. These values can be significantly higher in the operating point.

		n rpm <sup>-1</sup>	P <sub>ed</sub> W	L <sub>WA</sub> dB(A)	L <sub>10</sub> (40 °C)	L <sub>10</sub> (T <sub>max</sub> )	L <sub>10</sub> IPC (40 °C)		n rpm <sup>-1</sup>	P <sub>ed</sub> W	L <sub>WA</sub> dB(A)	L <sub>10</sub> (40 °C)	L <sub>10</sub> (T <sub>max</sub> )	L <sub>10</sub> IPC (40 °C)	
100% PWM	① ①	14 000	65	90	50 000	25 000	85 000	50% PWM	③ ⑪	6 800	12	73	82 500	42 500	140 000
	① ②	14 000	75	89	50 000	25 000	85 000		③ ⑫	6 800	13	72	82 500	42 500	140 000
	① ③	14 000	84	88	55 000	27 500	92 500		③ ⑬	6 800	14	71	82 500	42 500	140 000
	① ④	14 000	86	87	55 000	27 500	92 500		③ ⑭	6 800	15	71	82 500	42 500	140 000
	① ⑤	14 000	87	87	57 500	27 500	97 500		③ ⑮	6 800	15	71	82 500	42 500	140 000
80% PWM	② ⑥	11 250	36	85	60 000	30 000	102 500								
	② ⑦	11 250	41	83	62 500	30 000	105 000								
	② ⑧	11 250	45	83	62 500	32 500	105 000								
	② ⑨	11 250	46	81	65 000	32 500	110 000								
	② ⑩	11 250	46	82	65 000	32 500	110 000								

Power consumption P<sub>ed</sub> refer to CoR 8218 J.



Air performance measured according to: ISO 5801.  
Installation category A, without contact protection.  
Noise: Total sound power level L<sub>WA</sub> ISO 10302 measured on a hemisphere with a radius of 2 m.  
Sound pressure level L<sub>pA</sub> measured at 1 m distance from fan axis.  
The values given are applicable only under the specified measuring conditions and may differ depending on the installation conditions.  
In the event of deviation from the standard configuration, the parameters must be checked after installation!  
For detailed information see  
<http://www.ebmpapst.com/general conditions>



Max. 102 m<sup>3</sup>/h

# DC axial fans

□ 92 x 25 mm



- **Material:** Housing: GRP<sup>1)</sup> (PBT)  
Impeller: GRP<sup>1)</sup> (PA)
  - **Direction of air flow:** Exhaust over struts
  - **Direction of rotation:** Counterclockwise, looking towards rotor
  - **Connection:** Via single wires AWG 24, TR 64
  - **Weight:** 100 g
- **Possible special versions:** (See chapter DC fans - specials)
    - Speed signal
    - Go / NoGo alarm
    - Alarm with speed limit
    - External temperature sensor
    - Internal temperature sensor
    - PWM control input
    - Analog control input
    - Moisture protection
    - Degree of protection: IP 54 / IP 68

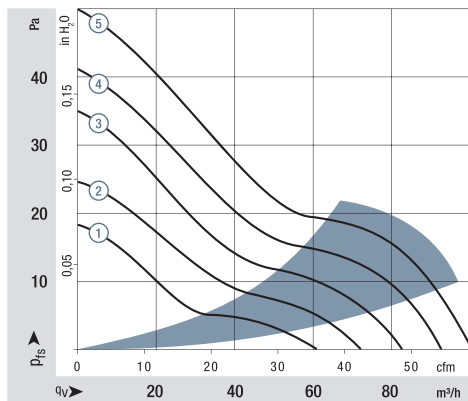
1) Fiberglass-reinforced plastic

Series 3400 N  
WVC0092YUEBS

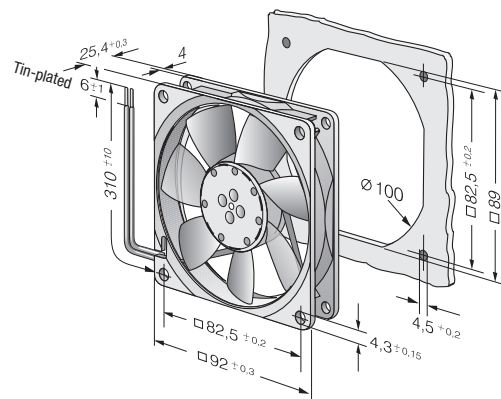
Nominal data

Type	Air flow		Nominal voltage	Voltage range		Sound pressure level	Sound power level	Sinter sleeve bearings Ball bearings	Power consumption	Nominal speed	Temperature range	Service life L <sub>10</sub> (40 °C) ebm-papst standard	Service life L <sub>10</sub> (T <sub>max</sub> ) ebm-papst standard	Life expectancy L <sub>10</sub> IPC (40 °C) see page 15	Curve
	m <sup>3</sup> /h	cfm		VDC	VDC										
3412 NGL	61	35.9	12	8...15	23	4.0	□	1.1	1 950	-20...+80	80 000 / 22 500	135 000	①		
3412 NLE	61	35.9	12	8...15	23	4.0	■	0.8	1 950	-20...+85	80 000 / 17 500	135 000	①		
3412 NGME	72	42.4	12	8...15	28	4.3	□	1.6	2 300	-20...+75	75 000 / 27 500	127 500	②		
3412 NME	72	42.4	12	8...15	28	4.3	■	1.1	2 300	-20...+75	75 000 / 27 500	127 500	②		
3412 NG	82	48.2	12	8...15	33	4.6	□	2.2	2 700	-20...+70	70 000 / 35 000	117 500	③		
3412 N	82	48.2	12	8...15	33	4.6	■	2.2	2 700	-20...+70	70 000 / 35 000	117 500	③		
3412 NGH	94	55.3	12	8...15	36	5.0	□	2.3	3 000	-20...+70	70 000 / 35 000	117 500	④		
3412 NH	94	55.3	12	8...15	36	5.0	■	2.1	3 000	-20...+70	70 000 / 35 000	117 500	④		
3412 NGH	102	60.0	12	8...13.2	39	5.1	□	3.2	3 250	-20...+60	70 000 / 45 000	117 500	⑤		
3412 NHH	102	60.0	12	8...13.2	39	5.1	■	2.9	3 250	-20...+60	70 000 / 45 000	117 500	⑤		
3412 NHH-379	102	60.0	12	8...15	39	5.1	■	2.7	3 250	-20...+70	70 000 / 35 000	117 500	⑤		
3414 NGL	61	35.9	24	18...28	23	4.0	□	1.4	1 950	-20...+70	80 000 / 40 000	135 000	①		
3414 NL	61	35.9	24	18...28	23	4.0	■	1.1	1 950	-20...+70	80 000 / 40 000	135 000	①		
3414 NGM	72	42.4	24	18...28	28	4.3	□	1.7	2 300	-20...+70	75 000 / 37 500	127 500	②		
3414 NM	72	42.4	24	18...28	28	4.3	■	1.4	2 300	-20...+70	75 000 / 37 500	127 500	②		
3414 NG	82	48.2	12	8...15	33	4.6	□	2.3	2 700	-20...+70	70 000 / 35 000	117 500	③		
3414 N	82	48.2	12	8...15	33	4.6	■	2.3	2 700	-20...+70	70 000 / 35 000	117 500	③		
3414 NGH	94	55.3	24	18...26	36	5.0	□	3.0	3 000	-20...+70	70 000 / 35 000	117 500	④		
3414 NH	94	55.3	24	18...26	36	5.0	■	2.3	3 000	-20...+70	70 000 / 35 000	117 500	④		
3414 NGH	102	60.0	24	18...26	39	5.1	□	3.2	3 250	-20...+70	70 000 / 35 000	117 500	⑤		
3414 NGH-389	102	60.0	24	18...28	39	5.1	□	3.2	3 250	-20...+70	70 000 / 35 000	117 500	⑤		
3414 NHH	102	60.0	24	18...26	39	5.1	■	3.1	3 250	-20...+70	70 000 / 35 000	117 500	⑤		
3414 NHH-386	102	60.0	24	18...28	39	5.1	■	3.2	3 250	-20...+70	70 000 / 35 000	117 500	⑤		
3418 N	82	48.2	12	8...15	33	4.6	■	2.4	2 700	-20...+70	70 000 / 35 000	117 500	③		

Other 48 VDC models on request.



Air performance measured according to: ISO 5801.  
Installation category A, without contact protection.  
Noise: Total sound power level L<sub>WA</sub> ISO 10302 measured on a hemisphere with a radius of 2 m.  
Sound pressure level L<sub>PA</sub> measured at 1 m distance from fan axis.  
The values given are applicable only under the specified measuring conditions and may differ depending on the installation conditions.  
In the event of deviation from the standard configuration, the parameters must be checked after installation!  
For detailed information see <http://www.ebmpapst.com/general conditions>



Max. 80 m<sup>3</sup>/h  
**S-Panther**

## DC axial fans

□ 92 x 32 mm



- **Material:** Housing: GRP<sup>1)</sup> (PBT)  
Impeller: GRP<sup>1)</sup> (PA)
  - **Direction of air flow:** Exhaust over struts
  - **Direction of rotation:** Clockwise, looking towards rotor
  - **Connection:** Via single wires  
AWG 24 UL 1061,  
TR 64
  - **Weight:** 190 g
- **Possible special versions:**  
(See chapter DC fans - specials)
    - Speed signal
    - Go / NoGo alarm
    - External temperature sensor
    - Internal temperature sensor
    - PWM control input
    - Analog control input
    - Moisture protection
    - Salt spray protection
    - Degree of protection: IP 54 / IP 68

1) Fiberglass-reinforced plastic

Series 3300 N  
WVC0092PUGBS

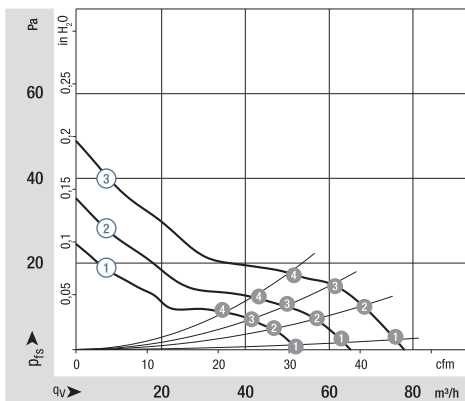
### Nominal data

Type	Air flow		Nominal voltage	Voltage range	Sound pressure level		Sintec sleeve bearings Ball bearings	Power consumption	Nominal speed	Temperature range	Service life L <sub>10</sub> (40 °C) ebm-papst standard	Service life L <sub>10</sub> (T <sub>max</sub> ) ebm-papst standard	Life expectancy L <sub>10</sub> IPC (40 °C) see page 15	Curve
	m <sup>3</sup> /h	cfm			VDC	VDC								
3312 NL	56	33	12	6...15	24	4.0	■	0.8	1 850	-20...+75	87 500 / 35 000	147 500	①	
3312 NM	68	40	12	6...15	29	4.3	■	1.1	2 250	-20...+75	80 000 / 32 500	135 500	②	
3312 NN	80	47	12	6...15	35	4.7	■	1.8	2 650	-20...+75	77 500 / 30 000	130 000	③	
3314 NL	56	33	24	12...28	24	4.0	■	0.8	1 850	-20...+75	87 500 / 35 000	147 500	①	
3314 NM	68	40	24	12...28	29	4.3	■	1.2	2 250	-20...+75	80 000 / 32 500	135 500	②	
3314 NN	80	47	24	12...28	35	4.7	■	1.8	2 650	-20...+75	77 500 / 30 000	130 000	③	
3318 NN	80	47	48	36...60	35	4.7	■	1.8	2 650	-20...+75	77 500 / 30 000	130 000	③	

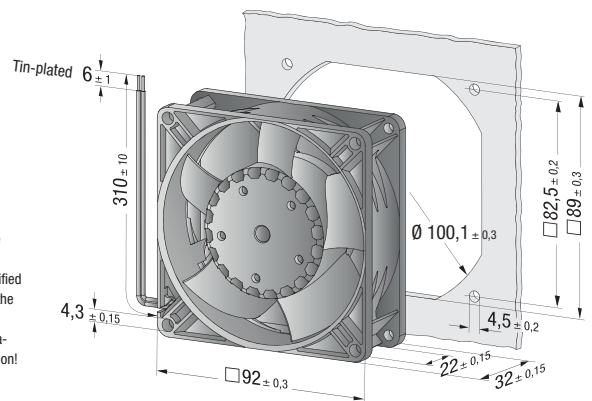
Subject to change

	n rpm <sup>-1</sup>	P <sub>ed</sub> W	L <sub>WA</sub> dB(A)	L <sub>10</sub> (40 °C)	L <sub>10</sub> (T <sub>max</sub> )	L <sub>10</sub> IPC (40 °C)
① ①	1 870	0.9	39	82 500	47 500	140 000
① ②	1 860	0.9	39	80 000	45 000	135 000
① ③	1 860	0.9	39	80 000	45 000	135 000
① ④	1 870	0.9	39	77 500	42 500	130 000
② ①	2 220	1.2	42	77 500	42 500	130 000
② ②	2 220	1.3	42	75 000	42 500	127 500
② ③	2 210	1.3	42	72 500	40 000	122 500
② ④	2 220	1.3	44	72 500	40 000	122 500

	n rpm <sup>-1</sup>	P <sub>ed</sub> W	L <sub>WA</sub> dB(A)	L <sub>10</sub> (40 °C)	L <sub>10</sub> (T <sub>max</sub> )	L <sub>10</sub> IPC (40 °C)
③ ①	2 650	1.9	46	75 000	42 500	127 500
③ ②	2 630	1.9	47	72 500	40 000	122 500
③ ③	2 630	1.9	47	70 000	40 000	117 500
③ ④	2 650	1.9	49	70 000	40 000	117 500



Air performance measured according to: ISO 5801.  
Installation category A, without contact protection.  
Noise: Total sound power level L<sub>WA</sub> ISO 10302 measured on a hemisphere with a radius of 2 m.  
Sound pressure level L<sub>pA</sub> measured at 1 m distance from fan axis.  
The values given are applicable only under the specified measuring conditions and may differ depending on the installation conditions.  
In the event of deviation from the standard configuration, the parameters must be checked after installation!  
For detailed information see  
[http://www.ebmpapst.com/general\\_conditions](http://www.ebmpapst.com/general_conditions)



# Max. 133 m<sup>3</sup>/h S-Panther

## DC axial fans

□ 92 x 32 mm



- **Material:** Housing: GRP<sup>1)</sup> (PBT)  
Impeller: GRP<sup>1)</sup> (PA)
  - **Direction of air flow:** Exhaust over struts
  - **Direction of rotation:** Clockwise,  
looking towards rotor
  - **Connection:** Via single wires  
AWG 24 UL 1061,  
TR 64
  - **Weight:** 190 g
- **Possible special versions:**  
(See chapter DC fans - specials)
    - Speed signal
    - Go / NoGo alarm
    - External temperature sensor
    - Internal temperature sensor
    - PWM control input
    - Analog control input
    - Moisture protection
    - Salt spray protection
    - Degree of protection: IP 54 / IP 68

1) Fiberglass-reinforced plastic

Series 3300 N  
WVC0092PUGBS

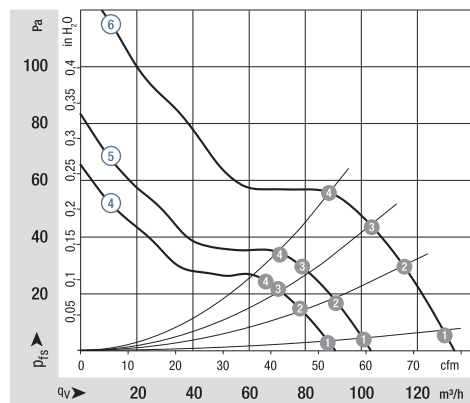
### Nominal data

Type	Air flow		Nominal voltage	Voltage range	Sound pressure level		Sinter sleeve bearings Ball bearings	Power consumption	Nominal speed	Temperature range	Service life L <sub>10</sub> (40 °C) ebm-papst standard	Service life L <sub>10</sub> (T <sub>max</sub> ) ebm-papst standard	Life expectancy L <sub>10</sub> IPC (40 °C) see page 15	Curve
	m <sup>3</sup> /h	cfm			VDC	VDC								
3312 NH	93	55	12	6...15	38	5.1	■	2.8	3 050	-20...+75	72 500 / 30 000	122 500	④	
3312 NHH	107	63	12	6...15	42	5.4	■	3.4	3 450	-20...+75	67 500 / 27 500	115 000	⑤	
3312 NH3	133	78	12	6...14	50	6.0	■	6.9	4 350	-20...+70	60 000 / 30 000	102 500	⑥	
3312 N/2 H3P	133	78	12	7...13.2	50	6.0	■	5.5	4 350	-20...+80	60 000 / 20 000	102 500	⑥	
3314 NH	93	55	24	12...28	38	5.1	■	2.6	3 050	-20...+75	72 500 / 30 000	122 500	④	
3314 NHH	107	63	24	12...28	42	5.4	■	3.4	3 450	-20...+75	67 500 / 27 500	115 000	⑤	
3314 NH3	133	78	24	12...28	50	6.0	■	6.0	4 350	-20...+75	60 000 / 25 000	102 500	⑥	
3314 N/2 H3P	133	78	24	14...26.4	50	6.0	■	5.7	4 350	-20...+80	60 000 / 20 000	102 500	⑥	
3318 NH	93	55	48	36...60	38	5.1	■	2.6	3 050	-20...+75	72 500 / 30 000	122 500	④	
3318 NHH	107	63	48	36...60	42	5.4	■	3.4	3 450	-20...+75	67 500 / 27 500	115 000	⑤	
3318 NH3	133	78	48	36...58	50	6.0	■	6.5	4 350	-20...+75	60 000 / 25 000	102 500	⑥	
3318 N/2 H3P	133	78	48	36...56	50	6.0	■	6.1	4 350	-20...+80	60 000 / 20 000	102 500	⑥	

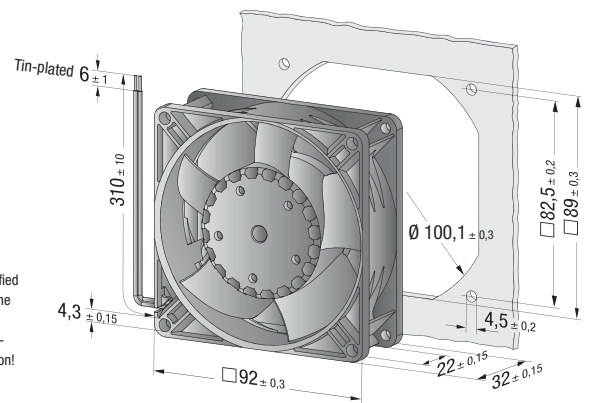
Subject to change

	n rpm <sup>-1</sup>	P <sub>ed</sub> W	L <sub>WA</sub> dB(A)	L <sub>10</sub> (40 °C)	L <sub>10</sub> (T <sub>max</sub> )	L <sub>10</sub> IPC (40 °C)
④ ①	3 000	2.7	54	70 000	40 000	117 500
④ ②	3 000	2.7	50	67 500	37 500	115 000
④ ③	3 010	2.7	50	65 000	37 500	110 000
④ ④	3 040	2.6	52	65 000	37 500	110 000
⑤ ①	3 410	3.6	55	65 000	37 500	110 000
⑤ ②	3 400	3.7	54	62 500	35 000	105 000
⑤ ③	3 410	3.6	56	60 000	32 500	102 500
⑤ ④	3 440	3.5	58	60 000	32 500	102 500

	n rpm <sup>-1</sup>	P <sub>ed</sub> W	L <sub>WA</sub> dB(A)	L <sub>10</sub> (40 °C)	L <sub>10</sub> (T <sub>max</sub> )	L <sub>10</sub> IPC (40 °C)
⑥ ①	4 300	6.6	61	57 500	32 500	97 500
⑥ ②	4 260	6.7	62	55 000	30 000	92 500
⑥ ③	4 280	6.7	63	55 000	30 000	92 500
⑥ ④	4 340	6.5	65	55 000	30 000	92 500



Air performance measured according to: ISO 5801.  
Installation category A, without contact protection.  
Noise: Total sound power level L<sub>WA</sub> ISO 10302  
measured on a hemisphere with a radius of 2 m.  
Sound pressure level L<sub>PA</sub> measured at 1 m distance  
from fan axis.  
The values given are applicable only under the specified  
measuring conditions and may differ depending on the  
installation conditions.  
In the event of deviation from the standard configura-  
tion, the parameters must be checked after installation!  
For detailed information see  
<http://www.ebmpapst.com/general-conditions>





Max. 280 m<sup>3</sup>/h

# DC axial fans

□ 92 x 38 mm



- **Material:** Housing: GRP<sup>1)</sup> (PBT)  
Impeller: GRP<sup>1)</sup> (PA)
  - **Direction of air flow:** Exhaust over struts
  - **Direction of rotation:** Clockwise, looking towards rotor
  - **Connection:** Via single wires AWG 24 (H3 and H4: AWG 22), TR 64
  - **Weight:** 240 g (H3 and H4: 280 g)
- **Possible special versions:** (See chapter DC fans - specials)
    - Speed signal
    - Go / NoGo alarm
    - Alarm with speed limit
    - External temperature sensor
    - Internal temperature sensor
    - PWM control input
    - Analog control input
    - Moisture protection
    - Degree of protection: IP 54 / IP 68

1) Fiberglass-reinforced plastic

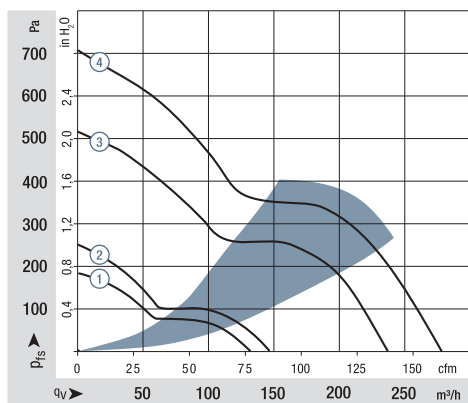
Series 3200 J  
WVC0092JUGBS

Nominal data

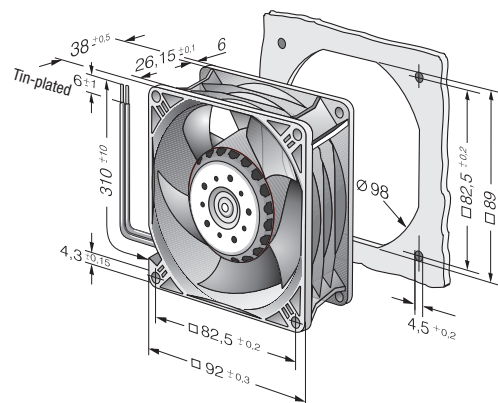
Type	Air flow		Nominal voltage	Voltage range	Sound pressure level	Sound power level	Sinter sleeve bearings Ball bearings	Power consumption*	Nominal speed	Temperature range	Service life L <sub>10</sub> (40 °C) ebm-papst standard	Service life L <sub>10</sub> (T <sub>max</sub> ) ebm-papst standard	Life expectancy L <sub>10</sub> IPC (40 °C) see page 15	Curve
	m <sup>3</sup> /h	cfm												
3212 JN	130	77	12	7...13.8	51	6.1	■	7.5	6 000	-20 ...+70	70 000 / 35 000	117 500	①	
3212 JH	146	86	12	7...15	55	6.4	■	9.0	6 800	-20 ...+70	70 000 / 35 000	117 500	②	
3212 JH3 <i>S-Force</i>	237	139	12	6...13.8	69	7.8	■	31.0*	11 000	-20 ...+70	65 000 / 32 500	110 000	③	
3212 JH4 <i>S-Force</i>	280	165	12	6...13.8	73	8.2	■	50.0*	13 000	-20 ...+70	60 000 / 30 000	110 000	④	
3214 JN	130	77	24	11...28	51	6.1	■	6.5	6 000	-20 ...+70	70 000 / 35 000	117 500	①	
3214 JH	146	86	24	12...30	55	6.4	■	9.0	6 800	-20 ...+70	70 000 / 35 000	117 500	②	
3214 JH3 <i>S-Force</i>	237	139	24	12...27.6	69	7.8	■	30.0*	11 000	-20 ...+70	65 000 / 32 500	110 000	③	
3214 JH4 <i>S-Force</i>	280	165	24	12...27.6	73	8.2	■	50.0*	13 000	-20 ...+70	60 000 / 30 000	110 000	④	
3218 JN	130	77	48	36...56	51	6.1	■	7.0	6 000	-20 ...+70	70 000 / 35 000	117 500	①	
3218 JH	146	86	48	36...53	55	6.4	■	9.5	6 800	-20 ...+70	70 000 / 35 000	117 500	②	
3218 JH3 <i>S-Force</i>	237	139	48	20...58.0	69	7.8	■	29.0*	11 000	-20 ...+70	65 000 / 32 500	110 000	③	
3218 JH4 <i>S-Force</i>	280	165	48	20...58.0	73	8.2	■	50.0*	13 000	-20 ...+70	60 000 / 30 000	110 000	④	

Subject to change

3200 JH3 and JH4 also available as standard with PWM control input and speed signal.  
Speed control range from 2000 rpm<sup>-1</sup> up to maximum nominal speed. Standstill at 0% PWM, maximum speed if control cable is interrupted.  
\* Power consumption at free air flow. These values can be significantly higher in the operating point.



Air performance measured according to: ISO 5801.  
Installation category A, without contact protection.  
Noise: Total sound power level L<sub>WA</sub> ISO 10302 measured on a hemisphere with a radius of 2 m.  
Sound pressure level L<sub>pA</sub> measured at 1 m distance from fan axis.  
The values given are applicable only under the specified measuring conditions and may differ depending on the installation conditions.  
In the event of deviation from the standard configuration, the parameters must be checked after installation!  
For detailed information see <http://www.ebmpapst.com/general-conditions>



# Max. 270 m<sup>3</sup>/h S-Panther

## DC axial fans

□ 92 x 38 mm



- **Material:** Housing: GRP<sup>1)</sup> (PBT)  
Impeller: GRP<sup>1)</sup> (PA)
  - **Direction of air flow:** Exhaust over struts
  - **Direction of rotation:** Clockwise,  
looking towards rotor
  - **Connection:** Via single wires AWG 22,  
TR 64
  - **Weight:** 240 g
- **Possible special versions:**  
(See chapter DC fans - specials)
    - Speed signal
    - Go / NoGo alarm
    - External temperature sensor
    - Internal temperature sensor
    - PWM control input
    - Analog control input
    - Moisture protection
    - Salt spray protection
    - Degree of protection: IP 54 / IP 68

1) Fiberglass-reinforced plastic

Series 3250 J  
WVC0092PUGCS

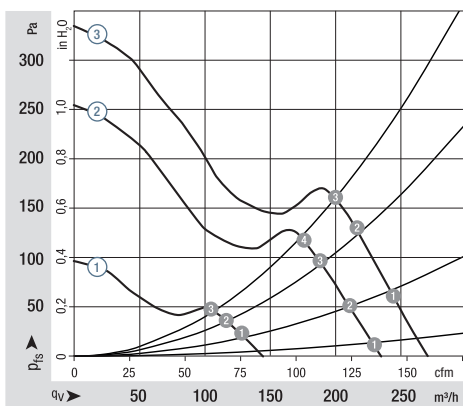
### Nominal data

Type	Air flow		Nominal voltage	Voltage range	Sound pressure level	Sound power level	Sinter sleeve bearings Ball bearings	Power consumption*	Nominal speed	Temperature range	Service life L <sub>10</sub> (40 °C) ebm-papst standard	Service life L <sub>10</sub> (T <sub>max</sub> ) ebm-papst standard	Life expectancy L <sub>10</sub> IPC (40 °C) see page 15	Curve
	m <sup>3</sup> /h	cfm												
3252 JH	140	82	12	7...13.2	46	5.8	■	7.0	4 100	-20...+70	100 000 / 50 000	170 000	170 000	①
3252 JH3	270	158	12	7...13.2	64	7.6	■	35.0	7 450	-20...+70	85 000 / 42 500	142 500	142 500	③
3254 JH	140	82	24	14...26.4	46	5.8	■	7.0	4 100	-20...+70	100 000 / 50 000	170 000	170 000	①
3254 J/2 H3P	270	158	24	14...26.4	64	7.6	■	35.0	7 450	-20...+70	85 000 / 42 500	142 500	142 500	③
3258 JH	140	82	48	36...56.0	46	5.8	■	7.0	4 100	-20...+70	100 000 / 50 000	170 000	170 000	①
3258 J/2 HHP	235	138	48	36...56.0	59	7.0	■	24.3	6 650	-20...+70	90 000 / 45 000	152 500	152 500	②
3258 J/2 H3P	270	158	48	36...56.0	64	7.6	■	34.0	7 450	-20...+70	85 000 / 42 500	142 500	142 500	③

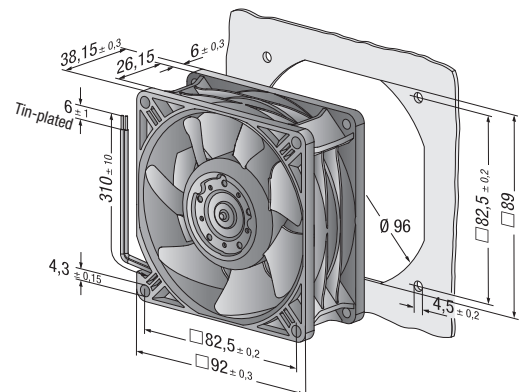
Änderungen vorbehalten

\* Power consumption at free air flow. These values can be significantly higher in the operating point.

	n rpm <sup>-1</sup>	P <sub>ed</sub> W	L <sub>WA</sub> dB(A)	L <sub>10</sub> (40 °C)	L <sub>10</sub> (T <sub>max</sub> )	L <sub>10</sub> IPC (40 °C)		n rpm <sup>-1</sup>	P <sub>ed</sub> W	L <sub>WA</sub> dB(A)	L <sub>10</sub> (40 °C)	L <sub>10</sub> (T <sub>max</sub> )	L <sub>10</sub> IPC (40 °C)
① ①	4096	7.5	46	92 500	47 500	155 000	③ ①	7562	37.5	64	82 500	40 000	140 000
① ②	4100	7.5	46	90 000	45 000	152 500	③ ②	7585	37.3	64	77 500	37 500	130 000
① ③	4120	7.3	46	90 000	45 000	152 500	③ ③	7649	36.9	64	72 500	37 500	122 500
② ①	6622	25.1	64	87 500	42 500	147 500							
② ②	6604	25.2	64	85 000	42 500	142 500							
② ③	6620	25.2	59	80 000	40 000	135 000							
② ④	6651	25	59	80 000	40 000	135 000							



Air performance measured according to: ISO 5801.  
Installation category A, without contact protection.  
Noise: Total sound power level L<sub>WA</sub> ISO 10302  
measured on a hemisphere with a radius of 2 m.  
Sound pressure level L<sub>pA</sub> measured at 1 m distance  
from fan axis.  
The values given are applicable only under the specified  
measuring conditions and may differ depending on the  
installation conditions.  
In the event of deviation from the standard configuration,  
the parameters must be checked after installation!  
For detailed information see  
<http://www.ebmpapst.com/general conditions>



Max. 170 m<sup>3</sup>/h

# DC axial fans

□ 119 x 25 mm



- **Material:** Housing: GRP<sup>1)</sup> (PBT)  
Impeller: GRP<sup>1)</sup> (PA)
  - **Direction of air flow:** Exhaust over struts
  - **Direction of rotation:** Counterclockwise, looking towards rotor
  - **Connection:** Via single wires AWG 24, TR 64
  - **Highlights:** Ball bearings and sleeve bearings available
  - **Weight:** 175 g
- **Possible special versions:** (See chapter DC fans - specials)
    - Speed signal
    - Go / NoGo alarm
    - Alarm with speed limit
    - External temperature sensor
    - Internal temperature sensor
    - PWM control input
    - Analog control input
    - Moisture protection

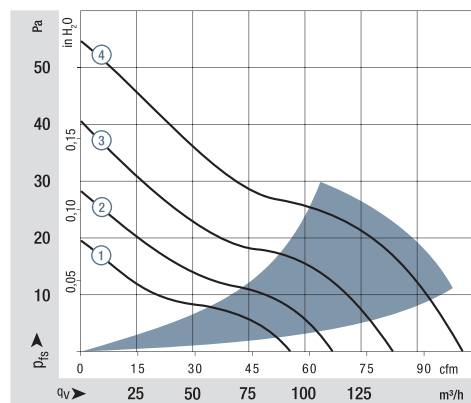
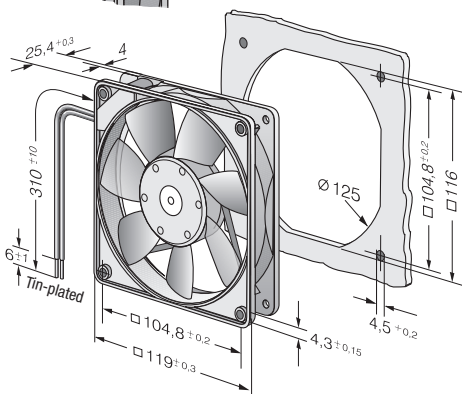
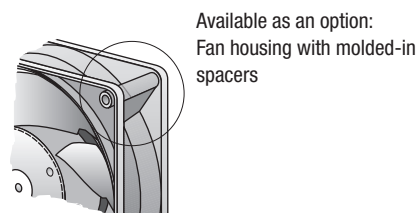
1) Fiberglass-reinforced plastic

Series 4400 F  
WVC0119FUGAS

**Nominal data**

Type	Air flow		Nominal voltage	Voltage range	Sound pressure level	Sound power level	Sinter sleeve bearings Ball bearings	Power consumption	Nominal speed	Temperature range	Service life L <sub>10</sub> (40 °C) ebm-papst standard	Service life L <sub>10</sub> (T <sub>max</sub> ) ebm-papst standard	Life expectancy L <sub>10</sub> (IPC (40 °C) see page 15	Curve
	m <sup>3</sup> /h	cfm												
4412 FGL	94	55	12	7...14	26	3.9	□	1.2	1 600	-20...+75	80 000 / 32 500	135 000	①	
4412 FGML	114	67	12	7...12.6	32	4.3	□	2.0	1 950	-20...+75	75 000 / 30 000	127 500	②	
4412 FML	114	67	12	7...12.6	32	4.3	■	2.0	1 950	-20...+75	75 000 / 30 000	127 500	②	
4412 FGM	140	82	12	7...12.6	38	4.8	□	3.2	2 400	-20...+75	70 000 / 27 500	117 500	③	
4412 FM	140	82	12	7...12.6	38	4.8	■	3.2	2 400	-20...+75	70 000 / 27 500	117 500	③	
4412 FG	170	100	12	8...12.6	43	5.3	□	5.3	2 900	-20...+60	60 000 / 37 500	102 500	④	
4412 F	168	99	12	8...12.6	43	5.3	■	5.3	2 900	-20...+60	60 000 / 37 500	102 500	④	
4414 FL	94	55	24	18...28	26	3.9	■	1.2	1 600	-20...+75	80 000 / 32 500	135 000	①	
4414 FM	140	82	24	12...28	38	4.8	■	3.1	2 400	-20...+75	70 000 / 27 500	117 500	③	
4414 FG	170	100	24	12...28	43	5.3	□	5.0	2 900	-20...+60	60 000 / 37 500	102 500	④	
4414 F	168	99	24	12...28	43	5.3	■	5.0	2 900	-20...+60	60 000 / 37 500	102 500	④	
4418 FG	170	100	48	28...53	43	5.3	□	5.4	2 900	-20...+60	60 000 / 37 500	102 500	④	
4418 F	168	99	48	28...53	43	5.3	■	5.4	2 900	-20...+60	60 000 / 37 500	102 500	④	

Subject to change



Air performance measured according to: ISO 5801.  
Installation category A, without contact protection.  
Noise: Total sound power level L<sub>WA</sub> ISO 10302 measured on a hemisphere with a radius of 2 m.  
Sound pressure level L<sub>pA</sub> measured at 1 m distance from fan axis.  
The values given are applicable only under the specified measuring conditions and may differ depending on the installation conditions.  
In the event of deviation from the standard configuration, the parameters must be checked after installation!  
For detailed information see <http://www.ebmpapst.com/general conditions>

Max. 170 m<sup>3</sup>/h

# DC axial fans

Ø 127 mm



- **Material:** Housing: GRP<sup>1)</sup> (PBT)  
Impeller: GRP<sup>1)</sup> (PA)
- **Direction of air flow:** Exhaust over struts
- **Direction of rotation:** Counterclockwise, looking towards rotor
- **Connection:** Via single wires AWG 24, TR 64
- **Highlights:** Ball bearings and sleeve bearings available  
Optional:  
- Reversible direction of rotation  
- Symmetrical impeller
- **Weight:** 170 g
- **Possible special versions:** (See chapter DC fans - specials)
  - Speed signal
  - Go / NoGo alarm
  - External temperature sensor
  - Internal temperature sensor
  - PWM control input
  - Analog control input
  - Moisture protection
  - Reversible direction of rotation
  - Symmetrical impeller

1) Fiberglass-reinforced plastic

Series 4400 F  
round  
VWS0113FUGAS

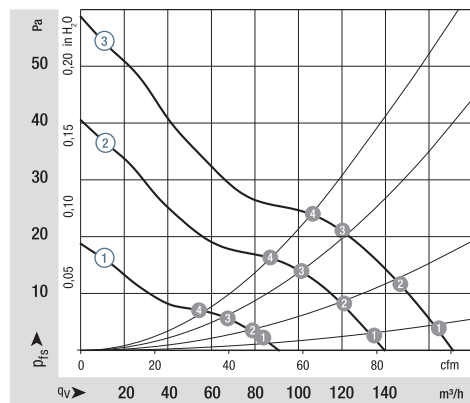
**Nominal data**

Type	Air flow		Nominal voltage		Sound pressure level		Sound power level		Sintec sleeve bearings Ball bearings	Power consumption	Nominal speed	Temperature range	Service life L <sub>10</sub> (40 °C) ebm-papst standard	Service life L <sub>10</sub> (T <sub>max</sub> ) ebm-papst standard	Life expectancy L <sub>10</sub> IPC (40 °C) see page 15	Curve
	m <sup>3</sup> /h	cfm	VDC	VDC	dB(A)	Bel(A)	Watts	rpm <sup>-1</sup>								
4412 FGL-573	91	54	12	7...15	26	3.9	■	1.2	1 600	-20...+75	80 000 / 32 500	135 000	①			
4412 FGMPR-197	140	82	12	7...12.6	38	4.8	■	3.2	2 400	-20...+65	75 000 / 27 500	117 500	②			
4412 FGPR-194	170	100	12	8...12.6	43	5.3	■	5.3	2 900	-20...+50	60 000 / 37 500	102 500	③			

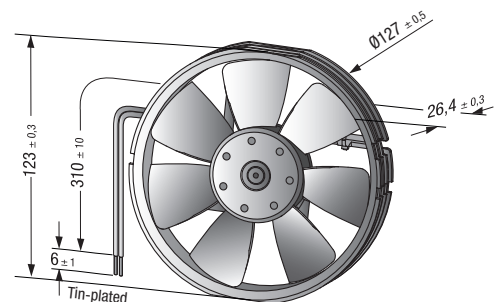
Subject to change

Other voltage versions (24 VDC, 48 VDC), speed variations and ball bearing designs are available as additional variants.

	n rpm <sup>-1</sup>	P <sub>ed</sub> W	L <sub>WA</sub> dB(A)		n rpm <sup>-1</sup>	P <sub>ed</sub> W	L <sub>WA</sub> dB(A)		n rpm <sup>-1</sup>	P <sub>ed</sub> W	L <sub>WA</sub> dB(A)
① ①	1515	1	44	② ①	2225	4	51	③ ①	2670	6	59
① ②	1516	1	38	② ②	2235	4	50	③ ②	2685	6	59
① ③	1547	1	40	② ③	2304	4	51	③ ③	2783	6	56
① ④	1567	1	39	② ④	2369	4	52	③ ④	2869	6	57



Air performance measured according to: ISO 5801.  
Installation category A, without contact protection.  
Noise: Total sound power level L<sub>WA</sub> ISO 10302 measured on a hemisphere with a radius of 2 m.  
Sound pressure level L<sub>pA</sub> measured at 1 m distance from fan axis.  
The values given are applicable only under the specified measuring conditions and may differ depending on the installation conditions.  
In the event of deviation from the standard configuration, the parameters must be checked after installation!  
For detailed information see  
<http://www.ebmpapst.com/general-conditions>



Max. 225 m<sup>3</sup>/h

# DC axial fans

□ 119 x 25 mm



- **Material:** Housing: GRP<sup>1)</sup> (PBT)  
Impeller: GRP<sup>1)</sup> (PA)
  - **Direction of air flow:** Exhaust over struts
  - **Direction of rotation:** Counterclockwise, looking towards rotor
  - **Connection:** Via single wires AWG 22, TR 64
  - **Weight:** 240 g
- **Possible special versions:** (See chapter DC fans - specials)
    - Speed signal
    - Go / NoGo alarm
    - Alarm with speed limit
    - External temperature sensor
    - Internal temperature sensor
    - PWM control input
    - Analog control input
    - Moisture protection

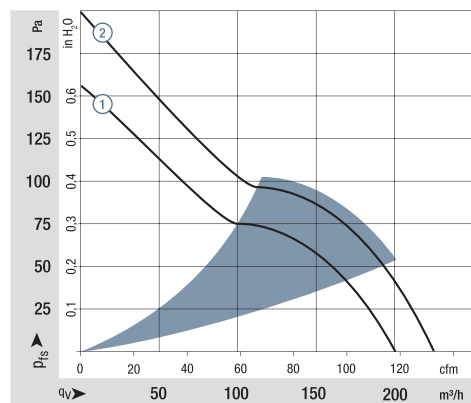
1) Fiberglass-reinforced plastic

Series 4400 FN  
WVC119FUJBS

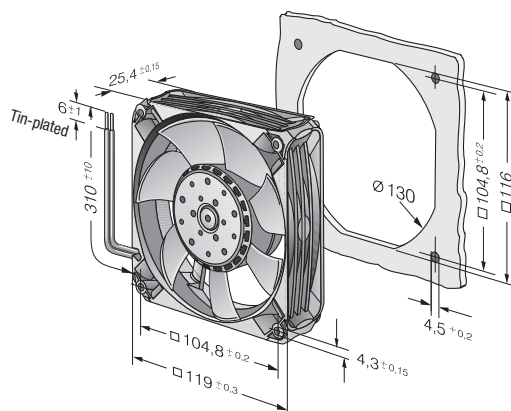
### Nominal data

Type	Air flow		Nominal voltage	Voltage range	Sound pressure level	Sound power level	Sinter sleeve bearings Ball bearings	Power consumption	Nominal speed	Temperature range	Service life L <sub>10</sub> (40 °C) ebm-papst standard	Service life L <sub>10</sub> (T <sub>max</sub> ) ebm-papst standard	Life expectancy L <sub>10</sub> IPC (40 °C) see page 15	Curve
	m <sup>3</sup> /h	cfm												
4412 FNH	225	132	12	9...13.2	55	6.7	■	12	5 400	-20...+70	60 000 / 30 000	102 500	102 500	②
4414 FNN	200	118	24	14...28	52	6.5	■	8.3	4 850	-20...+70	60 000 / 30 000	102 500	102 500	①
4414 FNH	225	132	24	18...26.4	55	6.7	■	12	5 400	-20...+70	60 000 / 30 000	102 500	102 500	②
4418 FNH	225	132	48	36...53	55	6.7	■	12	5 400	-20...+70	60 000 / 30 000	102 500	102 500	②

Subject to change



Air performance measured according to: ISO 5801.  
Installation category A, without contact protection.  
Noise: Total sound power level L<sub>WA</sub> ISO 10302 measured on a hemisphere with a radius of 2 m.  
Sound pressure level L<sub>pA</sub> measured at 1 m distance from fan axis.  
The values given are applicable only under the specified measuring conditions and may differ depending on the installation conditions.  
In the event of deviation from the standard configuration, the parameters must be checked after installation!  
For detailed information see <http://www.ebmpapst.com/general conditions>



# Max. 190 m<sup>3</sup>/h **S-Panther**

## DC axial fans

□ 119 x 32 mm



- **Material:** Housing: GRP<sup>1)</sup> (PBT)  
Impeller: GRP<sup>1)</sup> (PA)
  - **Direction of air flow:** Exhaust over struts
  - **Direction of rotation:** Clockwise, looking towards rotor
  - **Connection:** Via single wires AWG 24, TR 64
  - **Highlights:** Ball bearings and sleeve bearings available
  - **Weight:** 250 g
- **Possible special versions:** (See chapter DC fans - specials)
    - Speed signal
    - Go / NoGo alarm
    - Alarm with speed limit
    - External temperature sensor
    - Internal temperature sensor
    - PWM control input
    - Analog control input
    - Moisture protection
    - Salt spray protection
    - Degree of protection: IP 54 / IP 68

1) Fiberglass-reinforced plastic

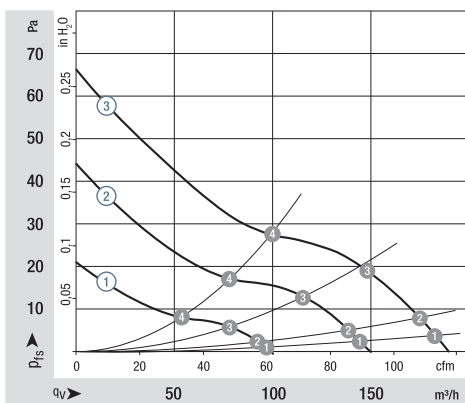
Series 4300 N  
WVC0119PUGBS

### Nominal data

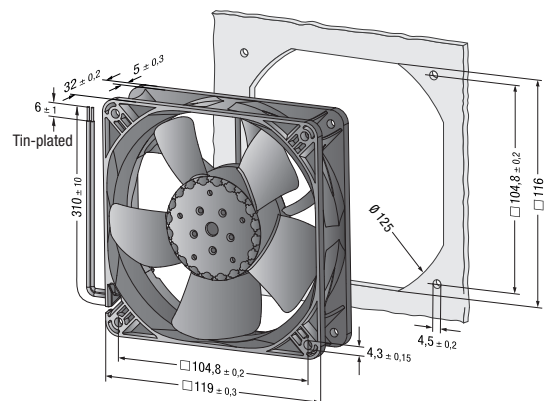
Type	Air flow		Nominal voltage	Voltage range	Sound pressure level	Sound power level	Sinter sleeve bearings Ball bearings	Power consumption	Nominal speed	Temperature range	Service life L <sub>10</sub> (40 °C) ebm-papst standard	Service life L <sub>10</sub> (T <sub>max</sub> ) ebm-papst standard	Life expectancy L <sub>10</sub> IPC (40 °C) see page 15	Curve
	m <sup>3</sup> /h	cfm												
4312 NL	100	59	12	6...15	25	3.9	■	0.9	1 450	-20...+75	95 000 / 37 500	160 000	①	
4312 NM	150	88	12	6...15	36	4.7	■	2.2	2 100	-20...+75	85 000 / 32 500	142 000	②	
4312 NN	190	112	12	6...15	43	5.4	■	4.3	2 700	-20...+75	72 500 / 30 000	122 000	③	
4314 NL	100	59	24	12...28	25	3.9	■	1.0	1 450	-20...+75	95 000 / 37 500	160 000	①	
4314 NM	150	88	24	12...28	36	4.7	■	2.4	2 100	-20...+75	85 000 / 32 500	142 000	②	
4314 NN	190	112	24	12...28	43	5.4	■	4.1	2 700	-20...+75	72 500 / 30 000	122 000	③	
4318 NN	190	112	48	36...60	43	5.4	■	4.3	2 700	-20...+75	72 500 / 30 000	122 000	③	

Subject to change

	n rpm <sup>-1</sup>	P <sub>ed</sub> W	L <sub>WA</sub> dB(A)	L <sub>10</sub> (40 °C)	L <sub>10</sub> (T <sub>max</sub> )	L <sub>10</sub> IPC (40 °C)		n rpm <sup>-1</sup>	P <sub>ed</sub> W	L <sub>WA</sub> dB(A)	L <sub>10</sub> (40 °C)	L <sub>10</sub> (T <sub>max</sub> )	L <sub>10</sub> IPC (40 °C)	
① ①	1 410	0.9	41	95 000	37 500	160 000		③ ①	2 660	4.2	55	72 500	30 000	122 000
① ②	1 400	0.9	40	92 500	37 500	155 000		③ ②	2 660	4.3	55	70 000	27 500	117 500
① ③	1 430	0.9	39	92 500	37 500	155 000		③ ③	2 600	4.4	54	70 000	27 500	117 500
① ④	1 440	0.9	44	90 000	35 000	152 500		③ ④	2 620	4.4	54	65 000	25 000	110 000
② ①	2 150	2.2	49	85 000	32 500	142 000								
② ②	2 140	2.3	48	82 500	32 500	140 000								
② ③	2 110	2.3	47	82 500	32 500	140 000								
② ④	2 140	2.3	54	80 000	32 500	135 000								



Air performance measured according to: ISO 5801.  
Installation category A, without contact protection.  
Noise: Total sound power level L<sub>WA</sub> ISO 10302 measured on a hemisphere with a radius of 2 m.  
Sound pressure level L<sub>pA</sub> measured at 1 m distance from fan axis.  
The values given are applicable only under the specified measuring conditions and may differ depending on the installation conditions.  
In the event of deviation from the standard configuration, the parameters must be checked after installation!  
For detailed information see  
<http://www.ebmpapst.com/general conditions>



Max. 285 m<sup>3</sup>/h  
**S-Panther**

## DC axial fans

□ 119 x 32 mm



- **Material:** Housing: GRP<sup>1)</sup> (PBT)  
Impeller: GRP<sup>1)</sup> (PA)
  - **Direction of air flow:** Exhaust over struts
  - **Direction of rotation:** Clockwise, looking towards rotor
  - **Connection:** Via single wires AWG 24, TR 64
  - **Highlights:** Ball bearings and sleeve bearings available
  - **Weight:** 250 g
- **Possible special versions:** (See chapter DC fans - specials)
    - Speed signal
    - Go / NoGo alarm
    - Alarm with speed limit
    - External temperature sensor
    - Internal temperature sensor
    - PWM control input
    - Analog control input
    - Moisture protection
    - Salt spray protection
    - Degree of protection: IP 54 / IP 68

1) Fiberglass-reinforced plastic

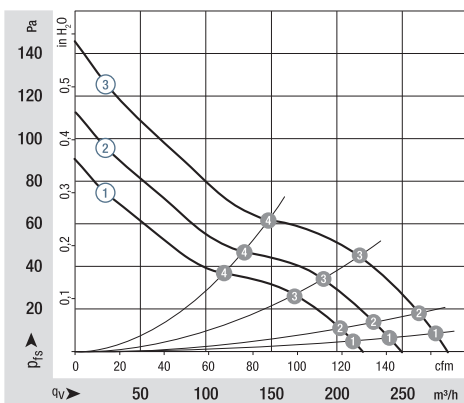
Series 4300 N  
WVC0119PUGBS

Nominal data	Air flow		Nominal voltage	Voltage range	Sound pressure level	Sound power level	Sintec sleeve bearings Ball bearings	Power consumption	Nominal speed	Temperature range	Service life L <sub>10</sub> (40 °C) ebm-papst standard	Service life L <sub>10</sub> (T <sub>max</sub> ) ebm-papst standard	Life expectancy L <sub>10</sub> IPC (40 °C) see page 15	Curve
	m <sup>3</sup> /h	cfm												
4312 NH	220	129	12	6...15	47	5.8	■	7.6	3 150	-20...+75	62 500 / 25 000	105 000	①	
4312 NHH	250	147	12	6...14.4	51	6.2	■	10.7	3 600	-20...+65	52 500 / 30 000	87 500	②	
4312 NH3	285	168	12	7...13.2	55	6.6	■	12.0	4 050	-20...+70	45 000 / 17 500	75 000	③	
4314 NH	220	129	24	12...28	47	5.8	■	6.7	3 150	-20...+75	62 500 / 25 000	105 000	①	
4314 NHH	250	147	24	12...27	51	6.2	■	9.8	3 600	-20...+70	52 500 / 27 500	87 500	②	
4314 NH3	285	168	24	14...26.4	55	6.6	■	11.0	4 050	-20...+70	45 000 / 17 500	75 000	③	
4318 NH	220	129	48	36...60	47	5.8	■	6.7	3 150	-20...+75	62 500 / 25 000	105 000	①	
4318 NH3	285	168	48	36...52.8	55	6.6	■	11.5	4 050	-20...+65	45 000 / 17 500	75 000	③	

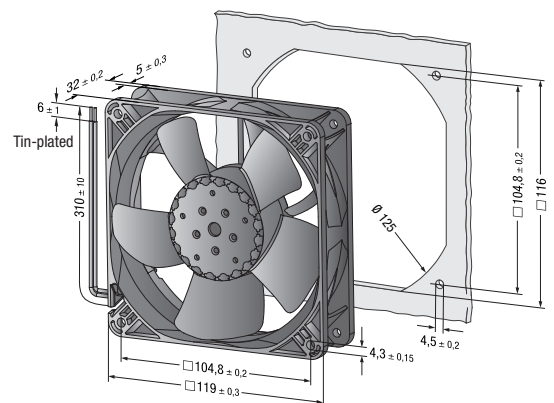
Subject to change

	n rpm <sup>-1</sup>	P <sub>ed</sub> W	L <sub>WA</sub> dB(A)	L <sub>10</sub> (40 °C)	L <sub>10</sub> (T <sub>max</sub> )	L <sub>10</sub> IPC (40 °C)
① ①	3 180	6.8	60	60 000	25 000	102 500
① ②	3 150	6.9	60	57 500	22 500	97 500
① ③	3 100	7.0	58	57 500	22 500	97 500
① ④	3 140	6.9	64	57 500	22 500	97 500
② ①	3 600	10	65	50 000	25 000	85 000
② ②	3 540	10	63	47 500	25 000	80 000
② ③	3 480	10	62	45 000	22 500	75 000
② ④	3 500	10	63	50 000	25 000	85 000

	n rpm <sup>-1</sup>	P <sub>ed</sub> W	L <sub>WA</sub> dB(A)	L <sub>10</sub> (40 °C)	L <sub>10</sub> (T <sub>max</sub> )	L <sub>10</sub> IPC (40 °C)
③ ①	4 070	12	67	42 500	17 500	72 500
③ ②	4 030	12	66	37 500	15 000	62 500
③ ③	3 960	12	66	37 500	15 000	62 500
③ ④	4 020	12	70	45 000	17 500	75 000



Air performance measured according to: ISO 5801.  
Installation category A, without contact protection.  
Noise: Total sound power level L<sub>WA</sub> ISO 10302 measured on a hemisphere with a radius of 2 m.  
Sound pressure level L<sub>pA</sub> measured at 1 m distance from fan axis.  
The values given are applicable only under the specified measuring conditions and may differ depending on the installation conditions.  
In the event of deviation from the standard configuration, the parameters must be checked after installation!  
For detailed information see  
<http://www.ebmpapst.com/general-conditions>



Max. 205 m<sup>3</sup>/h

## DC axial fans

□ 119 x 38 mm



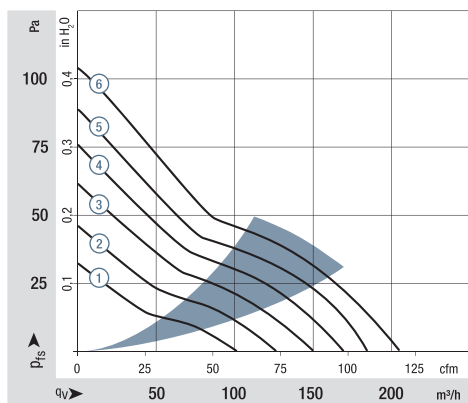
- **Material:** Housing: GRP<sup>1)</sup> (PBT)  
Impeller: GRP<sup>1)</sup> (PA)
  - **Direction of air flow:** Exhaust over struts
  - **Direction of rotation:** Clockwise, looking towards rotor
  - **Connection:** Via single wires AWG 24, TR 64
  - **Weight:** 270 g
- **Possible special versions:**  
(See chapter DC fans - specials)
    - Speed signal
    - Go / NoGo alarm
    - Alarm with speed limit
    - External temperature sensor
    - Internal temperature sensor
    - PWM control input
    - Analog control input
    - Moisture protection
    - Degree of protection: IP 54

1) Fiberglass-reinforced plastic

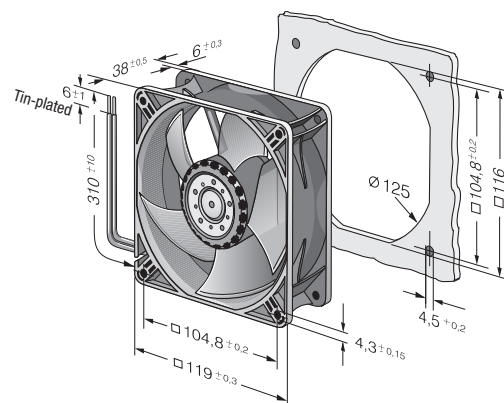
Series 4400 WVC0119AUGBS		Air flow		Nominal voltage	Voltage range		Sound pressure level	Sound power level	Sintec sleeve bearings Ball bearings	Power consumption	Nominal speed	Temperature range	Service life L <sub>10</sub> (40 °C) ebm-papst standard	Service life L <sub>10</sub> (T <sub>max</sub> ) ebm-papst standard	Life expectancy L <sub>10</sub> IPC (40 °C) see page 15	Curve
Nominal data	m <sup>3</sup> /h	cfm	VDC	VDC	dB(A)	Bel(A)	■ / ■	Watts	rpm <sup>-1</sup>	°C	Hours	Hours	Hours	Hours	Curve	
4412 L	150	88	12	7...14	37	5.0	■	2.2	2 700	-20...+80	67 500 / 22 500	115 000	③			
4412 ML	168	99	12	7...15	40	5.1	■	3.0	3 000	-20...+80	67 500 / 22 500	115 000	④			
4412 M	184	108	12	7...14	42	5.3	■	3.8	3 300	-20...+75	65 000 / 25 000	110 000	⑤			
4412 N	205	121	12	7...14	46	5.6	■	5.3	3 650	-20...+70	62 500 / 30 000	105 000	⑥			
4414 L3	100	59	24	12...28	26	4.0	■	1.0	1 800	-20...+80	75 500 / 22 500	127 500	①			
4414 LL	124	73	24	12...28	33	4.5	■	1.6	2 250	-20...+80	70 000 / 22 500	117 500	②			
4414 L	150	88	24	18...28	37	5.0	■	2.4	2 700	-20...+80	67 500 / 22 500	115 000	③			
4414 ML	168	99	24	12...28	40	5.1	■	3.2	3 000	-20...+80	67 500 / 22 500	115 000	④			
4414 M	184	108	24	18...28	42	5.3	■	4.1	3 300	-20...+75	65 000 / 25 000	110 000	⑤			
4414 N	205	121	24	18...28	46	5.6	■	5.4	3 650	-20...+70	62 500 / 30 000	105 000	⑥			
4418 L	150	88	48	36...60	37	5.0	■	2.5	2 700	-20...+75	67 500 / 27 500	115 000	③			
4418 ML	168	99	48	36...60	40	5.1	■	3.2	3 000	-20...+75	67 500 / 27 500	115 000	④			
4418 M	184	108	48	36...60	42	5.3	■	4.2	3 300	-20...+70	65 000 / 32 500	110 000	⑤			
4418 N	205	121	48	36...60	46	5.6	■	5.4	3 650	-20...+70	62 500 / 30 000	105 000	⑥			

Subject to change

Further variants can be found on page 57.



Air performance measured according to: ISO 5801.  
Installation category A, without contact protection.  
Noise: Total sound power level L<sub>WA</sub> ISO 10302 measured on a hemisphere with a radius of 2 m.  
Sound pressure level L<sub>pA</sub> measured at 1 m distance from fan axis.  
The values given are applicable only under the specified measuring conditions and may differ depending on the installation conditions.  
In the event of deviation from the standard configuration, the parameters must be checked after installation!  
For detailed information see <http://www.ebmpapst.com/general conditions>





Max. 285 m<sup>3</sup>/h

# DC axial fans

□ 119 x 38 mm



- **Material:** Housing: GRP<sup>1)</sup> (PBT)  
Impeller: GRP<sup>1)</sup> (PA)
  - **Direction of air flow:** Exhaust over struts
  - **Direction of rotation:** Clockwise, looking towards rotor
  - **Connection:** Via single wires AWG 24, TR 64
  - **Weight:** 270 g
- **Possible special versions:** (See chapter DC fans - specials)
    - Speed signal
    - Go / NoGo alarm
    - Alarm with speed limit
    - External temperature sensor
    - Internal temperature sensor
    - PWM control input
    - Analog control input
    - Moisture protection
    - Degree of protection: IP 54

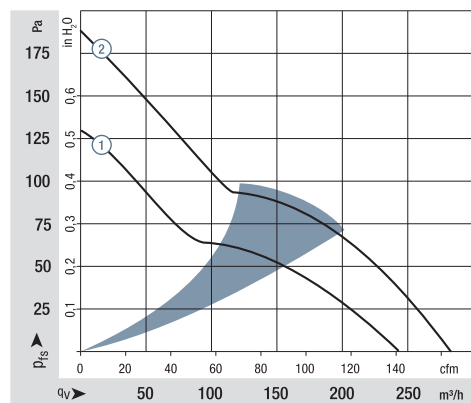
1) Fiberglass-reinforced plastic

Series 4400  
VWC0119AUGBS

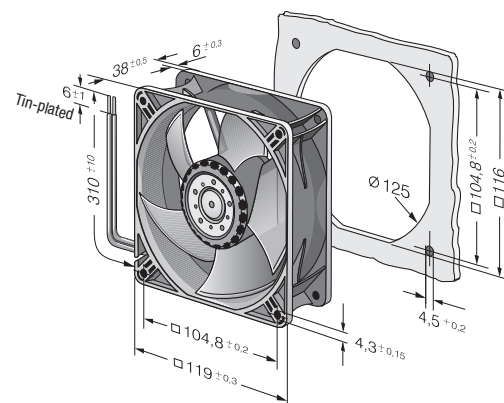
### Nominal data

Type	Air flow		Nominal voltage	Voltage range	Sound pressure level	Sound power level	Sinter sleeve bearings Ball bearings	Power consumption	Nominal speed	Temperature range	Service life L <sub>10</sub> (40 °C) ebm-papst standard	Service life L <sub>10</sub> (T <sub>max</sub> ) ebm-papst standard	Life expectancy L <sub>10</sub> (IPC (40 °C) see page 15	Curve
	m <sup>3</sup> /h	cfm												
4412 H	240	141	12	7...14	50	6.0	■	8.6	4 300	-20...+70	57 500 / 27 500	97 500	97 500	①
4412/2 HHP	285	168	12	7...14.5	55	6.4	■	13.0	5 000	-20...+70	50 000 / 25 000	85 000	85 000	②
4414 H	240	141	24	18...28	50	6.0	■	8.6	4 300	-20...+70	57 500 / 27 500	97 500	97 500	①
4414 HH	285	165	24	16...28	55	6.4	■	14.0	5 000	-20...+70	50 000 / 25 000	85 000	85 000	②
4414/2 HHP	285	168	24	18...28	55	6.4	■	12.0	5 000	-20...+70	50 000 / 25 000	85 000	85 000	②
4418 H	240	141	48	36...60	50	6.0	■	8.6	4 300	-20...+70	57 500 / 27 500	97 500	97 500	①
4418/2 HHP	285	168	48	36...60	55	6.4	■	13.0	5 000	-20...+70	50 000 / 25 000	85 000	85 000	②

Subject to change



Air performance measured according to: ISO 5801.  
Installation category A, without contact protection.  
Noise: Total sound power level L<sub>WA</sub> ISO 10302 measured on a hemisphere with a radius of 2 m.  
Sound pressure level L<sub>pA</sub> measured at 1 m distance from fan axis.  
The values given are applicable only under the specified measuring conditions and may differ depending on the installation conditions.  
In the event of deviation from the standard configuration, the parameters must be checked after installation!  
For detailed information see <http://www.ebmpapst.com/general-conditions>



Max. 237 m<sup>3</sup>/h

# DC axial fans

□ 119 x 38 mm



- **Material:** Housing: Die-cast aluminum  
Impeller: GRP<sup>1)</sup> (PA)
  - **Direction of air flow:** Intake over struts
  - **Direction of rotation:** Clockwise, looking towards rotor
  - **Connection:** On flat connectors, 2.8 x 0.5 mm  
Also available with wires as an option
  - **Highlights:** Housing with grounding lug for screw M4 x 8 (Torx)
  - **Weight:** 390 g
- **Possible special versions:** (See chapter DC fans - specials)
    - Speed signal
    - Go / NoGo alarm
    - Alarm with speed limit
    - External temperature sensor
    - Internal temperature sensor
    - PWM control input
    - Analog control input
    - Moisture protection
    - Salt spray protection
    - Degree of protection: IP 54 / IP 68

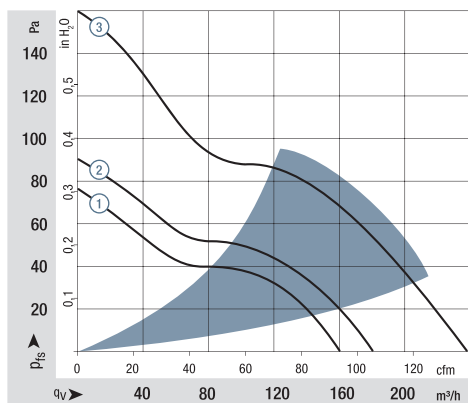
1) Fiberglass-reinforced plastic

Series 4100 N  
VUC0119YUJBS

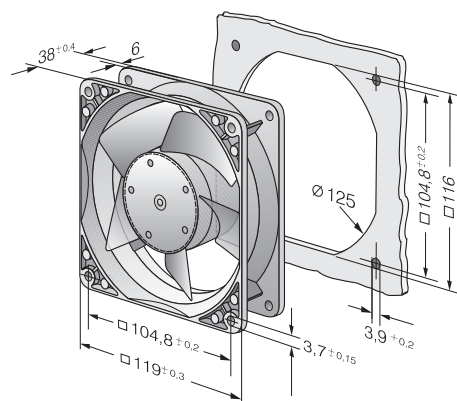
**Nominal data**

Type	Air flow		Nominal voltage	Voltage range		Sound pressure level	Sound power level	Sintec sleeve bearings Ball bearings	Power consumption	Nominal speed	Temperature range	Service life L <sub>10</sub> (40 °C) ebm-papst standard	Service life L <sub>10</sub> (T <sub>max</sub> ) ebm-papst standard	Life expectancy L <sub>10</sub> IPC (40 °C) see page 15	Curve
	m <sup>3</sup> /h	cfm		VDC	VDC										
4182 NGX	160	94	12	6...15	44	5.3	□	3.7	2 800	-20...+75	85 000 / 37 500	142 500	①		
4182 NX	180	106	12	6...15	49	5.7	■	4.9	3 200	-30...+75	85 000 / 37 500	142 500	②		
4182 NXH	237	140	12	7...14	57	6.5	■	11.0	4 400	-30...+55	70 000 / 50 000	117 500	③		
4184 NGX	160	94	24	12...31.5	44	5.3	□	3.3	2 800	-20...+75	85 000 / 37 500	142 500	①		
4184 NXM	160	94	24	12...31.5	44	5.3	■	3.2	2 800	-30...+75	85 000 / 37 500	142 500	①		
4184 NX	180	106	24	12...31.5	49	5.7	■	4.9	3 200	-30...+70	85 000 / 42 500	142 500	②		
4184 NXH	237	140	24	12...28	57	6.5	■	11.0	4 400	-30...+70	70 000 / 35 000	117 500	③		
4188 NGX	160	94	48	36...60	44	5.3	□	3.6	2 800	-20...+75	85 000 / 37 500	142 500	①		
4188 NXM	160	94	48	36...60	44	5.3	■	3.5	2 800	-30...+75	85 000 / 37 500	142 500	①		

Subject to change



Air performance measured according to: ISO 5801.  
Installation category A, without contact protection.  
Noise: Total sound power level L<sub>WA</sub> ISO 10302 measured on a hemisphere with a radius of 2 m.  
Sound pressure level L<sub>PA</sub> measured at 1 m distance from fan axis.  
The values given are applicable only under the specified measuring conditions and may differ depending on the installation conditions.  
In the event of deviation from the standard configuration, the parameters must be checked after installation!  
For detailed information see <http://www.ebmpapst.com/general conditions>



Max. 440 m<sup>3</sup>/h

# DC axial fans

□ 119 x 38 mm



- **Material:** Housing: Die-cast aluminum  
Impeller: GRP<sup>1)</sup> (PA)
  - **Direction of air flow:** Intake over struts
  - **Direction of rotation:** Clockwise, looking towards rotor
  - **Connection:** Via single wires  
AWG 22 UL 1007, TR 64
  - **Highlights:** Housing with grounding lug for screw M4 x 8 (Torx)
  - **Weight:** 390 g
- **Possible special versions:** (See chapter DC fans - specials)
    - Speed signal
    - Go / NoGo alarm
    - Alarm with speed limit
    - External temperature sensor
    - Internal temperature sensor
    - PWM control input
    - Analog control input
    - Moisture protection
    - Salt spray protection
    - Degree of protection: IP 54 / IP 68

1) Fiberglass-reinforced plastic

Series 4100 N  
High Performance  
VUC0119YUJBS

**Nominal data**

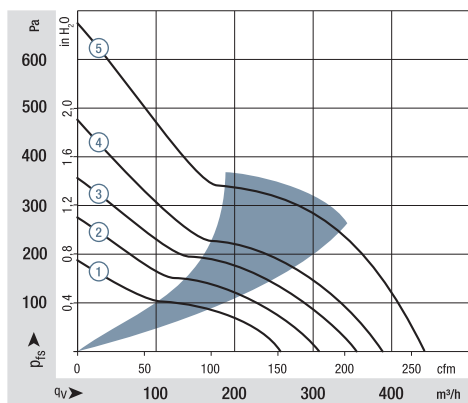
Type	Air flow		Nominal voltage	Voltage range	Sound pressure level		Sinter sleeve bearings Ball bearings	Power consumption*	Nominal speed	Temperature range	Service life L <sub>10</sub> (40 °C) ebm-papst standard	Service life L <sub>10</sub> (T <sub>max</sub> ) ebm-papst standard	Life expectancy L <sub>10</sub> (IPC (40 °C) see page 15	Curve
	m <sup>3</sup> /h	cfm			VDC	VDC								
4112 NHH	260	153	12	9...15	60	6.8	■	13.3	5 000	-20...+65	70 000 / 40 000	117 500	①	
4112 NH3	310	182	12	9...15	65	7.2	■	21.6	6 000	-20...+65	65 000 / 37 500	110 000	②	
4112 NH4	355	209	12	9...14	67	7.4	■	32.0	6 800	-20...+65	62 500 / 35 000	105 000	③	
4114 NHH	260	153	24	16...30	60	6.8	■	12.4	5 000	-20...+65	70 000 / 40 000	117 500	①	
4114 NH3	310	182	24	16...30	65	7.2	■	19.5	6 000	-20...+65	65 000 / 37 500	110 000	②	
4114 NH4	355	209	24	16...30	67	7.4	■	30.0	6 800	-20...+65	62 500 / 35 000	105 000	③	
4114 NH5 <i>S-Force</i>	390	230	24	16...30	70	7.6	■	45.0*	7 500	-20...+65	62 500 / 35 000	105 000	④	
4114 NH6 <i>S-Force</i>	440	259	24	16...30	73	8.1	■	65.0*	8 400	-20...+65	60 000 / 32 500	102 500	⑤	
4118 NHH	260	153	48	36...60	60	6.8	■	12.0	5 000	-20...+65	70 000 / 40 000	117 500	①	
4118 NH3	310	182	48	36...60	65	7.2	■	20.0	6 000	-20...+65	65 000 / 37 500	110 000	②	
4118 NH4	355	209	48	36...60	67	7.4	■	28.0	6 800	-20...+65	62 500 / 35 000	105 000	③	
4118 NH5 <i>S-Force</i>	390	230	48	36...60	70	7.6	■	45.0*	7 500	-20...+65	62 500 / 35 000	105 000	④	
4118 NH6 <i>S-Force</i>	440	259	48	36...60	73	8.1	■	62.0*	8 400	-20...+65	60 000 / 32 500	102 500	⑤	

Subject to change

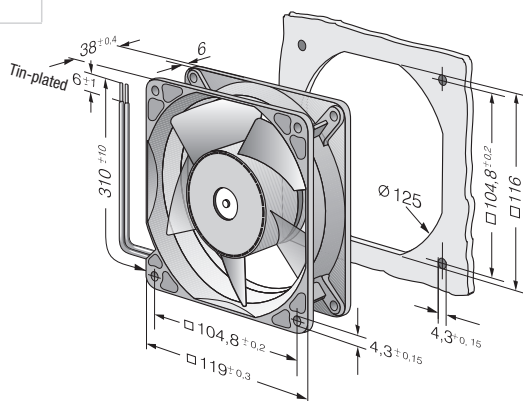
\* Power consumption at free air flow. These values can be significantly higher in the operating point.

**\* Power consumption – in operation**

Fan type	optimum operating range (W)
4114 NH5	55
4114 NH6	95
4118 NH5	55
4118 NH6	95



Air performance measured according to: ISO 5801.  
Installation category A, without contact protection.  
Noise: Total sound power level L<sub>WA</sub> ISO 10302 measured on a hemisphere with a radius of 2 m.  
Sound pressure level L<sub>pA</sub> measured at 1 m distance from fan axis.  
The values given are applicable only under the specified measuring conditions and may differ depending on the installation conditions.  
In the event of deviation from the standard configuration, the parameters must be checked after installation!  
For detailed information see <http://www.ebmpapst.com/general-conditions>



Max. 540 m<sup>3</sup>/h  
**S-Force**

## DC axial fans

□ 119 x 38 mm



- **Material:** Housing: Die-cast aluminum  
Impeller: GRP<sup>1)</sup> (PA)
- **Direction of air flow:** Intake over struts
- **Direction of rotation:** Clockwise, looking towards rotor
- **Connection:** Via single wires AWG 18, 20 or AWG 22, TR 64, speed signal and control input AWG 22
- **Highlights:** Highly efficient and smoothly operating 3-phase fan drive  
Housing with grounding lug for screw M4 x 8 (Torx)
- **Weight:** 425 g

- **Possible special versions:**  
(See chapter DC fans - specials)
  - Speed signal
  - Go / NoGo alarm
  - Alarm with speed limit
  - External temperature sensor
  - Internal temperature sensor
  - PWM control input (standard)
  - Analog control input
  - Moisture protection

1) Fiberglass-reinforced plastic

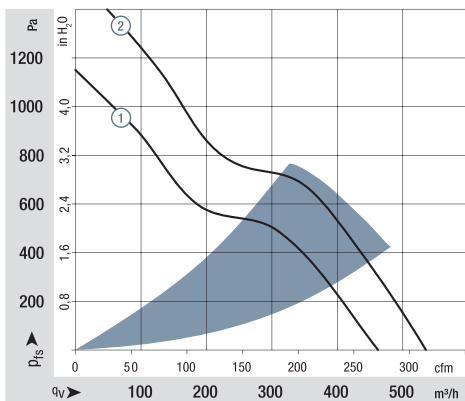
Series 4100 N  
High Performance  
VUC0119YUJCS

### Nominal data

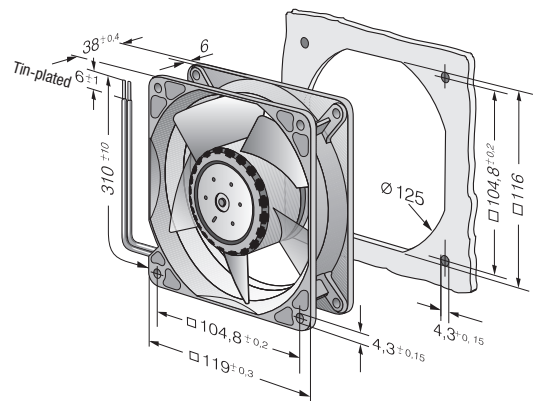
Type	Air flow		Nominal voltage		Voltage range		Sound pressure level	Sound power level	Sintec sleeve bearings	Ball bearings	Power consumption*	Nominal speed	Temperature range	Service life L <sub>10</sub> (40 °C) ebm-papst standard	Service life L <sub>10</sub> (T <sub>max</sub> ) ebm-papst standard	Life expectancy L <sub>10</sub> IPC (40 °C) see page 15	Curve
	m <sup>3</sup> /h	cfm	VDC	VDC	dB(A)	Bel(A)	□ / ■	Watts	rpm <sup>-1</sup>	°C	Hours	Hours	Hours	Hours			
4154 N/2 H7P	465	274	24	16...30	77	8.5	■	90	9 500	-20...+75	57 500 / 25 000	97 500	①				
4154 N/2 H8P	540	315	24	16...30	80	8.9	■	120	11 000	-20...+75	55 000 / 22 500	92 500	②				
4158 N/2 H7P	465	274	48	36...72	77	8.5	■	90	9 500	-20...+75	57 500 / 25 000	97 500	①				
4158 N/2 H8P	540	315	48	36...72	80	8.9	■	120	11 000	-20...+75	55 000 / 22 500	92 500	②				

Subject to change

Speed control range from 500 rpm<sup>-1</sup> up to maximum nominal speed.  
Standstill at 0 % PWM, maximum speed if control cable is interrupted.  
To attain the specified service life, an external capacitor must be wired between the plus and minus strands. Please note the wiring suggestion on page 14.  
\* Power consumption at free air flow, these values can be significantly higher in the operating point.



Air performance measured according to: ISO 5801.  
Installation category A, without contact protection.  
Noise: Total sound power level L<sub>WA</sub> ISO 10302 measured on a hemisphere with a radius of 2 m.  
Sound pressure level L<sub>PA</sub> measured at 1 m distance from fan axis.  
The values given are applicable only under the specified measuring conditions and may differ depending on the installation conditions.  
In the event of deviation from the standard configuration, the parameters must be checked after installation!  
For detailed information see  
<http://www.ebmpapst.com/general conditions>



Max. 280 m<sup>3</sup>/h

# DC diagonal fan

□ 119 x 38 mm



- **Material:** Housing: GRP<sup>1)</sup> (PBT)  
Available in die-cast aluminum  
Impeller: GRP<sup>1)</sup> (PA)
  - **Direction of air flow:** Exhaust over struts
  - **Direction of rotation:** Counterclockwise, looking towards rotor
  - **Connection:** Via single wires AWG 22, TR 64
  - **Highlights:** Housing with grounding lug for screw M4 x 8 (Torx)
  - **Weight:** 375 g (with metal housing: 455 g)
- **Possible special versions:** (See chapter DC fans - specials)
    - Speed signal
    - Go / NoGo alarm
    - Alarm with speed limit
    - External temperature sensor
    - Internal temperature sensor
    - PWM control input
    - Analog control input
    - Moisture protection
    - Salt spray protection
    - Degree of protection: IP 54 / IP 68

1) Fiberglass-reinforced plastic

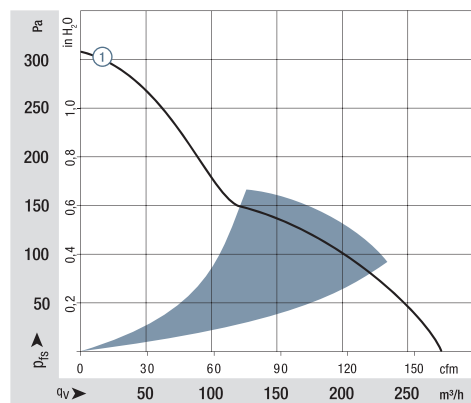
Series DV 4100  
VKC0119AUJBS

### Nominal data

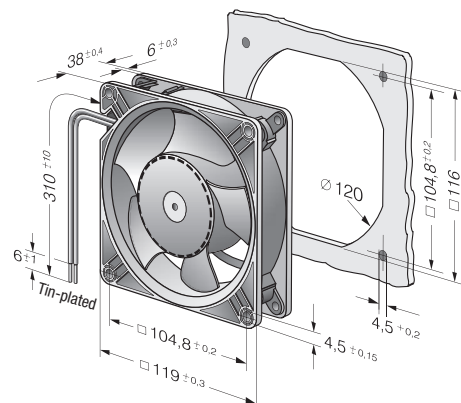
Type	Air flow		Nominal voltage	Voltage range	Sound pressure level	Sound power level	Sinter sleeve bearings Ball bearings	Power consumption*	Nominal speed	Temperature range	Service life L <sub>10</sub> (40 °C) ebm-papst standard	Service life L <sub>10</sub> (T <sub>max</sub> ) ebm-papst standard	Life expectancy L <sub>10</sub> (IPC (40 °C) see page 15	Curve
	m <sup>3</sup> /h	cfm												
DV 4112 N	280	165	12	9...15	61	6.9	■	21.0	6 000	-20...+65	70 000 / 40 000	117 500	①	
DV 4114 N	280	165	24	16...30	61	6.9	■	20.5	6 000	-20...+65	70 000 / 40 000	117 500	①	
DV 4118 N	280	165	48	36...60	61	6.9	■	20.0	6 000	-20...+65	70 000 / 40 000	117 500	①	

Subject to change

\* Power consumption at free air flow. These values can be significantly higher in the operating point.



Air performance measured according to: ISO 5801.  
Installation category A, without contact protection.  
Noise: Total sound power level L<sub>WA</sub> ISO 10302 measured on a hemisphere with a radius of 2 m.  
Sound pressure level L<sub>PA</sub> measured at 1 m distance from fan axis.  
The values given are applicable only under the specified measuring conditions and may differ depending on the installation conditions.  
In the event of deviation from the standard configuration, the parameters must be checked after installation!  
For detailed information see <http://www.ebmpapst.com/general-conditions>



Max. 340 m<sup>3</sup>/h

# DC axial fans

□ 127 x 38 mm



- **Material:** Housing: GRP<sup>1)</sup> (PBT)  
Impeller: GRP<sup>1)</sup> (PA)
- **Direction of air flow:** Exhaust over struts
- **Direction of rotation:** Counterclockwise, looking towards rotor
- **Connection:** Via single wires AWG 22, TR 64
- **Weight:** 310 g

- **Possible special versions:**  
(See chapter DC fans - specials)
  - Speed signal
  - Go / NoGo alarm
  - Alarm with speed limit
  - External temperature sensor
  - Internal temperature sensor
  - PWM control input
  - Analog control input
  - Moisture protection
  - Salt spray protection
  - Degree of protection: IP 54 / IP 68

1) Fiberglass-reinforced plastic

Series 5200 N  
WVC0127YUJBS

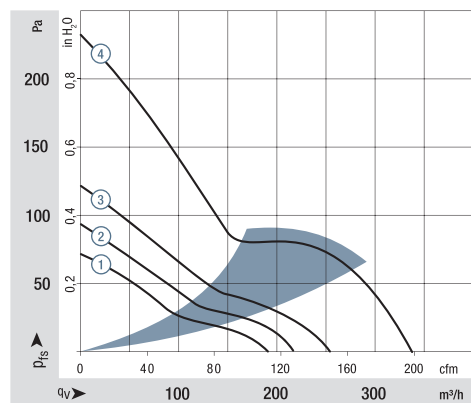
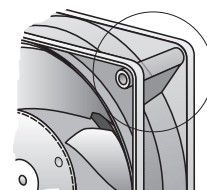
**Nominal data**

Type	Air flow		Nominal voltage	Voltage range	Sound pressure level	Sound power level	Sinter sleeve bearings Ball bearings	Power consumption**	Nominal speed	Temperature range	Service life L <sub>10</sub> (40 °C) ebm-papst standard	Service life L <sub>10</sub> (T <sub>max</sub> ) ebm-papst standard	Life expectancy L <sub>10</sub> IPC (40 °C) see page 15	Curve
	m <sup>3</sup> /h	cfm												
5212 NM	187	110	12	7...14.5	43	5.3	■	4.1	2 750	-20...+75	62 500 / 27 500	105 000	①	
5212 NN	216	127	12	7...14	46	5.6	■	6.2	3 150	-20...+70	57 500 / 25 000	97 500	②	
5212 NH	252	148	12	7...14	51	6.0	■	9.8	3 650	-20...+70	45 000 / 22 500	75 000	③	
5212 NHH*	340	200	12	9...15	58	6.6	■	19.0	4 900	-20...+65	45 000 / 25 000	75 000	④	
5214 NM	187	110	24	12...28	43	5.3	■	4.6	2 750	-20...+75	62 500 / 27 500	105 000	①	
5214 NN	216	127	24	12...28	46	5.6	■	6.0	3 150	-20...+75	57 500 / 25 000	97 500	②	
5214 NH	252	148	24	12...28	51	6.0	■	9.8	3 650	-20...+70	45 000 / 22 500	75 000	③	
5214 NHH*	340	200	24	16...30	58	6.6	■	17.5	4 900	-20...+65	45 000 / 25 000	75 000	④	
5218 NM	187	110	48	36...56	43	5.3	■	4.5	2 750	-20...+75	62 500 / 27 500	105 000	①	
5218 NN	216	127	48	36...56	46	5.6	■	6.2	3 150	-20...+70	57 500 / 32 500	97 500	②	
5218 NH	252	148	48	36...56	51	6.0	■	9.6	3 650	-20...+55	45 000 / 32 500	75 000	③	
5218 NHH*	340	200	48	36...60	58	6.6	■	18.0	4 900	-20...+65	45 000 / 25 000	75 000	④	

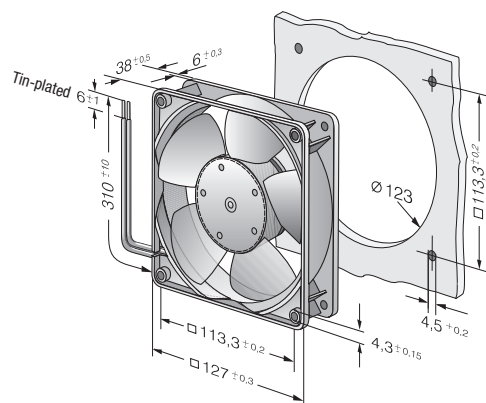
Subject to change  
\* see drawing

\*\* Power consumption at free air flow, these values can be significantly higher in the operating point.

\*NHH models: fan housing with molded-in spacers.



Air performance measured according to: ISO 5801.  
Installation category A, without contact protection.  
Noise: Total sound power level L<sub>WA</sub> ISO 10302 measured on a hemisphere with a radius of 2 m.  
Sound pressure level L<sub>PA</sub> measured at 1 m distance from fan axis.  
The values given are applicable only under the specified measuring conditions and may differ depending on the installation conditions.  
In the event of deviation from the standard configuration, the parameters must be checked after installation!  
For detailed information see <http://www.ebmpapst.com/general conditions>



Max. 320 m<sup>3</sup>/h

# DC diagonal fan

□ 127 x 38 mm



- **Material:** Housing: GRP<sup>1)</sup> (PBT)  
Available in Die-cast aluminum  
Metal flange  
Impeller: GRP<sup>1)</sup> (PA)
  - **Direction of air flow:** Exhaust over struts
  - **Direction of rotation:** Counterclockwise, looking towards rotor
  - **Connection:** Via single wires AWG 22, TR 64
  - **Highlights:** Housing with grounding lug for screw M4 x 8 (Torx)
  - **Weight:** 415 g (with metal housing: 490 g)
- **Possible special versions:** (See chapter DC fans - specials)
    - Speed signal
    - Go / NoGo alarm
    - Alarm with speed limit
    - External temperature sensor
    - Internal temperature sensor
    - PWM control input
    - Analog control input
    - Moisture protection
    - Salt spray protection
    - Degree of protection: IP 54

1) Fiberglass-reinforced plastic

Series DV 5200  
VKC0127AUJBS

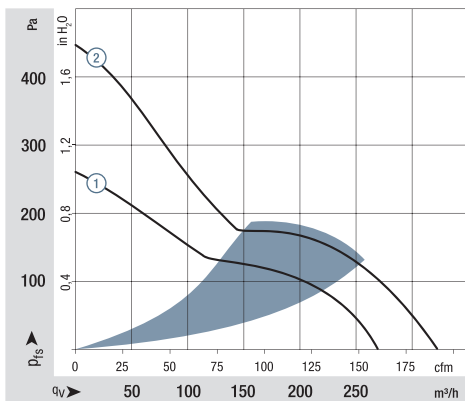
### Nominal data

Type	Air flow		Nominal voltage	Voltage range	Sound pressure level	Sound power level	Sinter sleeve bearings Ball bearings	Power consumption*	Nominal speed	Temperature range	Service life L <sub>10</sub> (40 °C) ebm-papst standard	Service life L <sub>10</sub> (T <sub>max</sub> ) ebm-papst standard	Life expectancy L <sub>10</sub> (IPC (40 °C) see page 15	Curve
	m <sup>3</sup> /h	cfm												
DV 5212 N	270	159	12	9...15	56	6.4	■	21.0	5 000	-20...+65	70 000 / 40 000	117 500	117 500	①
DV 5214 N	270	159	24	16...30	56	6.4	■	20.4	5 000	-20...+65	70 000 / 40 000	117 500	117 500	①
DV 5218 N	270	159	48	36...60	56	6.4	■	18.5	5 000	-20...+65	70 000 / 40 000	117 500	117 500	①
Standard model comes with speed signal and PWM control input. Other versions by request.														
DV 5214/2 HP	320	188	24	16...30	62	7.2	■	38.5	6 000	-20...+65	62 500 / 35 000	105 000	105 000	②

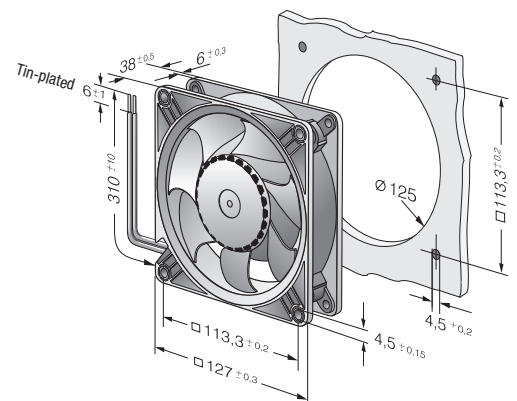
Subject to change

Speed control range from 1000 rpm<sup>-1</sup> up to maximum nominal speed.  
Standstill at 0 % PWM, maximum speed if control cable is interrupted.

\* Power consumption at free air flow. These values can be significantly higher in the operating point.



Air performance measured according to: ISO 5801.  
Installation category A, without contact protection.  
Noise: Total sound power level L<sub>WA</sub> ISO 10302 measured on a hemisphere with a radius of 2 m.  
Sound pressure level L<sub>pA</sub> measured at 1 m distance from fan axis.  
The values given are applicable only under the specified measuring conditions and may differ depending on the installation conditions.  
In the event of deviation from the standard configuration, the parameters must be checked after installation!  
For detailed information see <http://www.ebmpapst.com/general-conditions>



Max. 260 m<sup>3</sup>/h

## DC axial fans

□ 135 x 38 mm



- **Material:** Housing: Die-cast aluminum  
Impeller: painted sheet steel
  - **Direction of air flow:** Exhaust over struts
  - **Direction of rotation:** Counterclockwise, looking towards rotor
  - **Connection:** Via single wires AWG 22, TR 64
  - **Highlights:** Housing with grounding lug for screw M4 x 8 (Torx)  
48 V design incl. screws.
  - **Weight:** 650 g
- **Possible special versions:** (See chapter DC fans - specials)
    - Speed signal
    - Go / NoGo alarm
    - Alarm with speed limit
    - External temperature sensor
    - Internal temperature sensor
    - PWM control input
    - Analog control input
    - Moisture protection
    - Salt spray protection
    - Degree of protection: IP 54

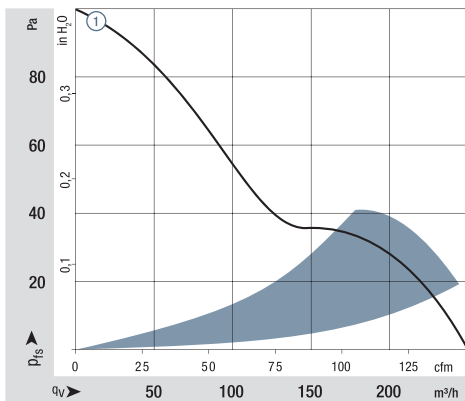
Series 5100 N  
WVC0135YULBS

### Nominal data

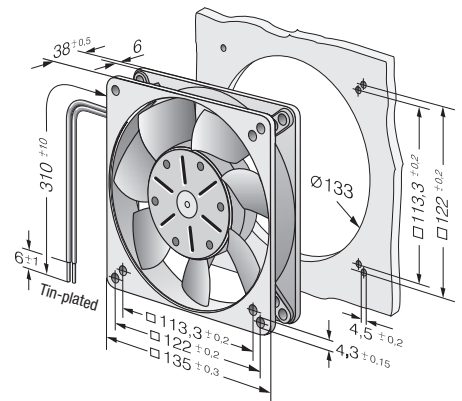
Type	Air flow	Air flow	Nominal voltage	Voltage range	Sound pressure level	Sound power level	Sintec sleeve bearings Ball bearings	Power consumption*	Nominal speed	Temperature range	Service life L <sub>10</sub> (40 °C) ebm-papst standard	Service life L <sub>10</sub> (T <sub>max</sub> ) ebm-papst standard	Life expectancy L <sub>10</sub> IPC (40 °C) see page 15	Curve
	m <sup>3</sup> /h	cfm	VDC	VDC	dB(A)	Bel(A)	□ / ■	Watts	rpm <sup>-1</sup>	°C	Hours	Hours	Hours	
5112 N	260	153	12	6...15	48	6.1	■	9.5	2 900	-25...+72	80 000 / 37 500	135 000	135 000	①
5114 N	260	153	24	12...30	48	6.1	■	9.5	2 900	-25...+72	80 000 / 37 500	135 000	135 000	①
5118 N	260	153	48	24...60	48	6.1	■	9.5	2 900	-25...+72	80 000 / 37 500	135 000	135 000	①

Subject to change

\* Power consumption at free air flow. These values can be significantly higher in the operating point.



Air performance measured according to: ISO 5801.  
Installation category A, without contact protection.  
Noise: Total sound power level L<sub>WA</sub> ISO 10302 measured on a hemisphere with a radius of 2 m.  
Sound pressure level L<sub>pA</sub> measured at 1 m distance from fan axis.  
The values given are applicable only under the specified measuring conditions and may differ depending on the installation conditions.  
In the event of deviation from the standard configuration, the parameters must be checked after installation!  
For detailed information see <http://www.ebmpapst.com/general conditions>





Max. 340 m<sup>3</sup>/h  
**S-Force**

## DC axial fans

□ 140 x 51 mm



- **Material:** Housing: Die-cast aluminum  
Impeller: GRP<sup>1)</sup> (PA)
  - **Direction of air flow:** Intake over struts
  - **Direction of rotation:** Counterclockwise, looking towards rotor
  - **Connection:** Via single wires AWG 22, TR 64
  - **Highlights:** Housing with grounding lug for screw M4 x 8 (Torx)
  - **Weight:** 900 g
- **Possible special versions:** (See chapter DC fans - specials)
    - Speed signal
    - Go / NoGo alarm
    - Alarm with speed limit
    - External temperature sensor
    - Internal temperature sensor
    - PWM control input
    - Analog control input
    - Moisture protection
    - Salt spray protection
    - Degree of protection: IP 54

1) Fiberglass-reinforced plastic

Series 5300  
VUC0140AULCS

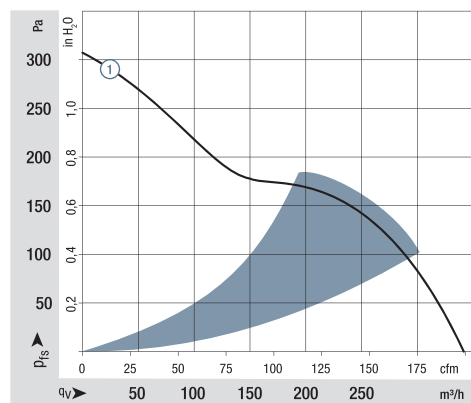
### Nominal data

Type	Air flow		Nominal voltage		Voltage range		Sound pressure level		Sound power level		Sinter sleeve bearings Ball bearings		Power consumption*		Nominal speed		Temperature range		Service life L <sub>10</sub> (40 °C) ebm-papst standard		Service life L <sub>10</sub> (T <sub>max</sub> ) ebm-papst standard		Life expectancy L <sub>10</sub> (IPC (40 °C) see page 15		Curve	
	m <sup>3</sup> /h	cfm	VDC	VDC	dB(A)	Bel(A)	□ / ■	Watts	rpm <sup>-1</sup>	°C	Hours	Hours	Hours	Hours	Hours	Hours	Hours	Hours	Hours	Hours	Hours	Hours	Hours	Hours	Hours	Hours
5314/2 HP	340	200	24	16...28	64	7.2	■	28.4	5 000	-20...+65	77 500 / 40 000	130 000	①													
5318/2 HP	340	200	48	36...72	64	7.2	■	27	5 000	-20...+65	77 500 / 40 000	130 000	①													

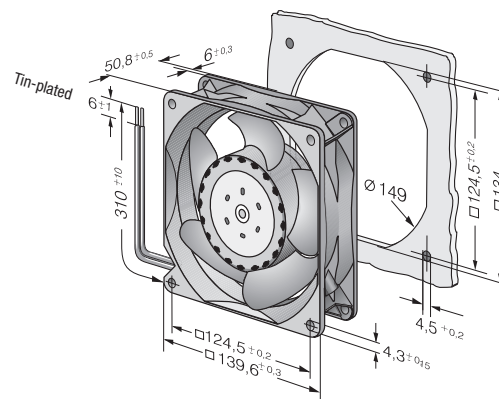
Subject to change

Speed control range from 700 rpm<sup>-1</sup> up to maximum nominal speed.  
Standstill at 0% PWM, maximum speed if control cable is interrupted.

\* Power consumption at free air flow. These values can be significantly higher in the operating point.



Air performance measured according to: ISO 5801.  
Installation category A, without contact protection.  
Noise: Total sound power level L<sub>WA</sub> ISO 10302 measured on a hemisphere with a radius of 2 m.  
Sound pressure level L<sub>pA</sub> measured at 1 m distance from fan axis.  
The values given are applicable only under the specified measuring conditions and may differ depending on the installation conditions.  
In the event of deviation from the standard configuration, the parameters must be checked after installation!  
For detailed information see <http://www.ebmpapst.com/general conditions>



Max. 670 m<sup>3</sup>/h  
**S-Force**

## DC axial fans

□ 140 x 51 mm



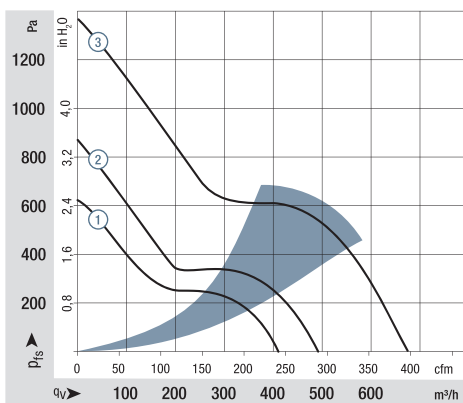
- **Material:** Housing: Die-cast aluminum  
Impeller: GRP<sup>1)</sup> (PA)
  - **Direction of air flow:** Intake over struts
  - **Direction of rotation:** Counterclockwise, looking towards rotor
  - **Connection:** Via single wires AWG 20 and AWG 22, TR 64
  - **Highlights:** 3-phase fan drive with very smooth operation  
Housing with grounding lug for screw M4 x 8 (Torx)
  - **Weight:** 900 g
- **Possible special versions:** (See chapter DC fans - specials)
    - Speed signal
    - Go / NoGo alarm
    - Alarm with speed limit
    - External temperature sensor
    - Internal temperature sensor
    - PWM control input
    - Analog control input
    - Multi-option control input
    - Moisture protection
    - Salt spray protection
    - Degree of protection: IP 54

1) Fiberglass-reinforced plastic

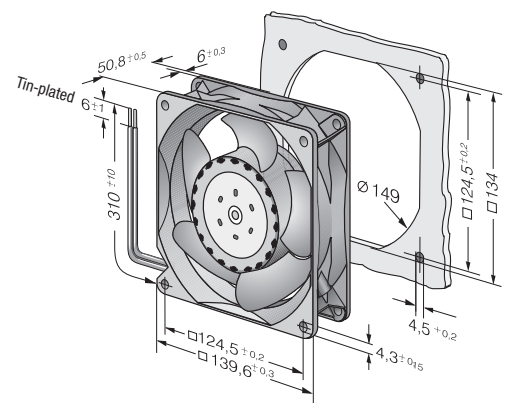
Series 5300 TD VUC0140AULDS														
Nominal data	Air flow		Nominal voltage	Voltage range	Sound pressure level	Sound power level	Sintec sleeve bearings Ball bearings	Power consumption*	Nominal speed	Temperature range	Service life L <sub>10</sub> (40 °C) ebm-papst standard	Service life L <sub>10</sub> (T <sub>max</sub> ) ebm-papst standard	Life expectancy L <sub>10</sub> IPC (40 °C) see page 15	Curve
	m <sup>3</sup> /h	cfm												
5312/2 TDHP	410	241	12	8...16	70	7.7	■	43	6 000	-20...+70	70 000 / 35 000	117 500	①	
5314/2 TDHP	410	241	24	16...36	70	7.7	■	42	6 000	-20...+70	70 000 / 35 000	117 500	①	
5314/2 TDHHP	490	288	24	16...36	75	8.1	■	67	7 000	-20...+70	62 500 / 30 000	105 000	②	
5318/2 TDHP	410	241	48	36...72	70	7.7	■	42	6 000	-20...+70	70 000 / 35 000	117 500	①	
5318/2 TDHHP	490	288	48	36...72	75	8.1	■	66	7 000	-20...+70	62 500 / 30 000	105 000	②	
5318/2 TDH4P	670	394	48	36...72	79	8.8	■	149	9 200	-20...+65	57 500 / 32 500	97 500	③	

Subject to change

Speed control range from 1000 rpm<sup>-1</sup> up to maximum nominal speed.  
Standstill at 0 % PWM, maximum speed if control cable is interrupted.  
\* Power consumption at free air flow. These values can be significantly higher in the operating point.



Air performance measured according to: ISO 5801.  
Installation category A, without contact protection.  
Noise: Total sound power level L<sub>WA</sub> ISO 10302 measured on a hemisphere with a radius of 2 m.  
Sound pressure level L<sub>pA</sub> measured at 1 m distance from fan axis.  
The values given are applicable only under the specified measuring conditions and may differ depending on the installation conditions.  
In the event of deviation from the standard configuration, the parameters must be checked after installation!  
For detailed information see  
<http://www.ebmpapst.com/general conditions>



Max. 360 m<sup>3</sup>/h

# DC axial fans

Ø 150 x 38 mm



- **Material:** Housing: Die-cast aluminum  
Impeller: painted sheet steel
  - **Direction of air flow:** Exhaust over struts
  - **Direction of rotation:** Counterclockwise, looking towards rotor
  - **Connection:** Via single wires AWG 22, TR 64
  - **Highlights:** Housing with grounding lug for screw M4 x 8 (Torx)
  - **Weight:** 620 g
- **Possible special versions:** (See chapter DC fans - specials)
    - Speed signal
    - Go / NoGo alarm
    - Alarm with speed limit
    - External temperature sensor
    - Internal temperature sensor
    - PWM control input
    - Analog control input
    - Moisture protection
    - Salt spray protection
    - Degree of protection: IP 54 / IP 68

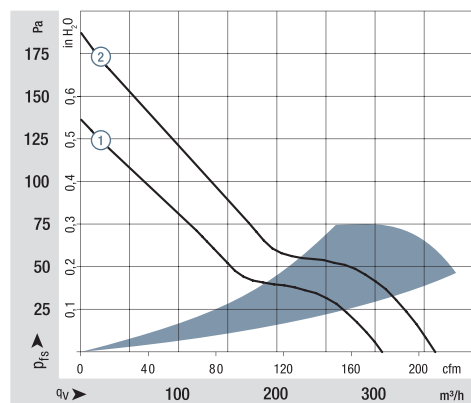
Series 7100 N  
WWS0140XULBS

**Nominal data**

Type	Air flow		Nominal voltage	Voltage range	Sound pressure level	Sound power level	Sinter sleeve bearings Ball bearings	Power consumption*	Nominal speed	Temperature range	Service life L <sub>10</sub> (40 °C) ebm-papst standard	Service life L <sub>10</sub> (T <sub>max</sub> ) ebm-papst standard	Life expectancy L <sub>10</sub> (IPC (40 °C) see page 15	Curve
	m <sup>3</sup> /h	cfm												
7112 N	308	181	12	6...15	53	6.2	■	12.0	2 850	-25...+72	80 000 / 37 500	135 000	①	
7114 N	308	181	24	12...30	53	6.2	■	12.0	2 850	-25...+72	80 000 / 37 500	135 000	①	
7114 NH	360	212	24	12...26.5	58	6.7	■	19.0	3 350	-25...+72	75 000 / 35 000	127 500	②	
7118 N	308	181	48	24...60	53	6.2	■	12.0	2 850	-25...+72	80 000 / 37 500	135 000	①	

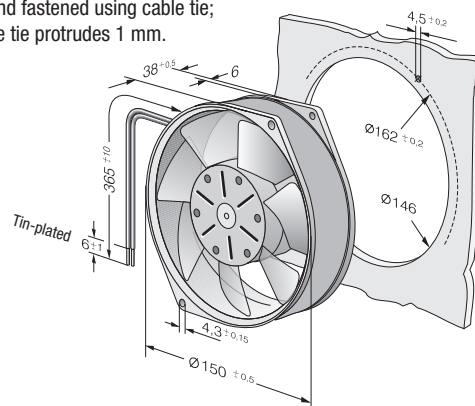
Subject to change

\* Power consumption at free air flow. These values can be significantly higher in the operating point.



Air performance measured according to: ISO 5801.  
Installation category A, without contact protection.  
Noise: Total sound power level L<sub>WA</sub> ISO 10302 measured on a hemisphere with a radius of 2 m.  
Sound pressure level L<sub>PA</sub> measured at 1 m distance from fan axis.  
The values given are applicable only under the specified measuring conditions and may differ depending on the installation conditions.  
In the event of deviation from the standard configuration, the parameters must be checked after installation!  
For detailed information see <http://www.ebmpapst.com/general conditions>

Wire fastened with cable tie.  
Strand fastened using cable tie;  
cable tie protrudes 1 mm.



Max. 360 m<sup>3</sup>/h

## DC axial fans

Ø 150 x 55 mm



- **Material:** Housing: Die-cast aluminum  
Impeller: GRP<sup>1)</sup> (PA)
  - **Direction of air flow:** Exhaust over struts
  - **Direction of rotation:** Counterclockwise, looking towards rotor
  - **Connection:** Via single wires AWG 22, TR 64
  - **Highlights:** Housing with grounding lug for screw M4 x 8 (Torx)
  - **Weight:** 725 g
- **Possible special versions:** (See chapter DC fans - specials)
    - Speed signal
    - Go / NoGo alarm
    - Alarm with speed limit
    - External temperature sensor
    - Internal temperature sensor
    - PWM control input
    - Analog control input
    - Moisture protection
    - Salt spray protection
    - Degree of protection: IP 54 / IP 68

1) Fiberglass-reinforced plastic

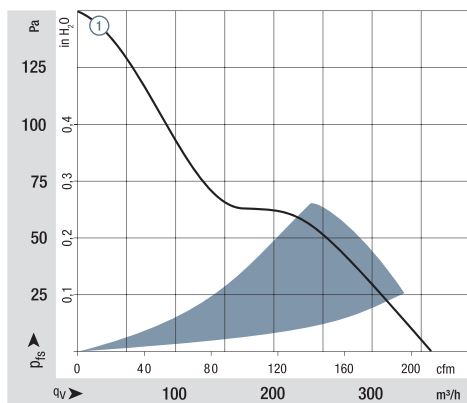
Series 7200 N  
WWS0143XULCS

### Nominal data

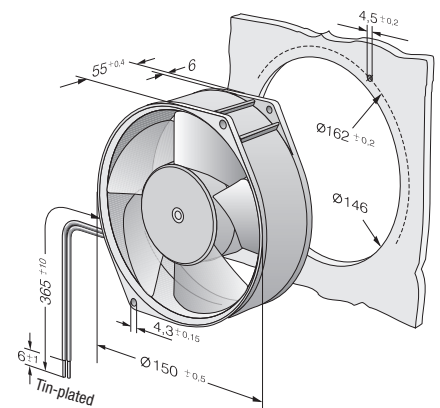
Type	Air flow		Nominal voltage	Voltage range	Sound pressure level	Sound power level	Sintec sleeve bearings Ball bearings	Power consumption*	Nominal speed	Temperature range	Service life L <sub>10</sub> (40 °C) ebm-papst standard	Service life L <sub>10</sub> (T <sub>max</sub> ) ebm-papst standard	Life expectancy L <sub>10</sub> IPC (40 °C) see page 15	Curve
	m <sup>3</sup> /h	cfm												
7212 N	360	212	12	6...15	53	6.2	■	12.0	3 050	-25...+72	80 000 / 37 500	135 000	①	
7214 N	360	212	24	12...30	53	6.2	■	12.0	3 050	-25...+72	80 000 / 37 500	135 000	①	
7218 N	360	212	48	24...60	53	6.2	■	12.0	3 050	-25...+72	80 000 / 37 500	135 000	①	

Subject to change

\* Power consumption at free air flow. These values can be significantly higher in the operating point.



Air performance measured according to: ISO 5801.  
Installation category A, without contact protection.  
Noise: Total sound power level L<sub>WA</sub> ISO 10302 measured on a hemisphere with a radius of 2 m.  
Sound pressure level L<sub>PA</sub> measured at 1 m distance from fan axis.  
The values given are applicable only under the specified measuring conditions and may differ depending on the installation conditions.  
In the event of deviation from the standard configuration, the parameters must be checked after installation!  
For detailed information see <http://www.ebmpapst.com/general conditions>



Max. 480 m<sup>3</sup>/h

# DC axial fans

172 x 150 x 51 mm



- **Material:** Housing: Die-cast aluminum  
Impeller: GRP<sup>1)</sup> (PA)
  - **Direction of air flow:** Exhaust over struts
  - **Direction of rotation:** Counterclockwise, looking towards rotor
  - **Connection:** on flat plugs 3 x 0.5 mm
  - **Highlights:** Housing with grounding lug for screw M4 x 8 (Torx)
  - **Weight:** 760 g
- **Possible special versions:** (See chapter DC fans - specials)
    - Speed signal
    - Go / NoGo alarm
    - Alarm with speed limit
    - External temperature sensor
    - Internal temperature sensor
    - PWM control input
    - Analog control input
    - Moisture protection
    - Salt spray protection
    - Degree of protection: IP 54

1) Fiberglass-reinforced plastic

Series 6400  
WVS0143XULCS

### Nominal data

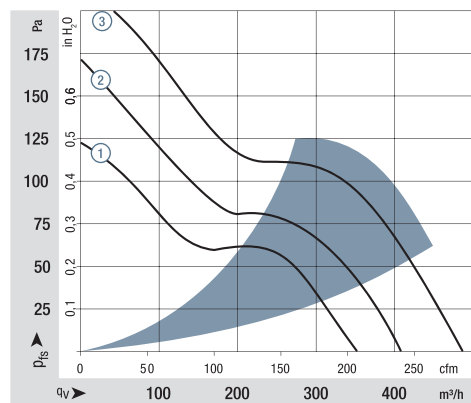
Type	Air flow m <sup>3</sup> /h	Air flow cfm	Nominal voltage VDC	Voltage range VDC	Sound pressure level dB(A)	Sound power level Bel(A)	Sintec sleeve bearings Ball bearings	Power consumption*** Watts	Nominal speed rpm <sup>-1</sup>	Temperature range °C	Service life L <sub>10</sub> (40 °C) ebm-papst standard Hours	Service life L <sub>10</sub> (T <sub>max</sub> ) ebm-papst standard Hours	Life expectancy L <sub>10</sub> IPC (40 °C) see page 15 Hours	Curve
6412 M	350	206	12	8...15	52	6.0	■	12	2 850	-20...+72	80 000 / 37 500	135 000	①	
6424 M	350	206	24	12...32	52	6.0	■	12	2 850	-20...+72	80 000 / 37 500	135 000	①	
6424	410	241	24	12...28	57	6.4	■	17	3 400	-20...+72	75 000 / 35 000	127 500	②	
6424 H	480	283	24	12...28	63	7.1	■	26	4 000	-20...+55**	70 000 / 50 000	117 500	③	
6448	410	241	48	28...60	57	6.4	■	17	3 400	-20...+72	75 000 / 35 000	127 500	②	
6448 H*	480	283	48	28...60	63	7.1	■	26	4 000	-20...+55**	70 000 / 50 000	117 500	③	

Subject to change

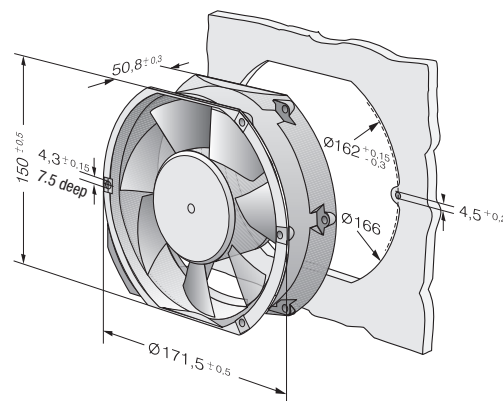
\* Strand 310 mm.

\*\* 72 °C versions on request

\*\*\* Power consumption at free air flow, these values can be significantly higher in the operating point.



Air performance measured according to: ISO 5801.  
Installation category A, without contact protection.  
Noise: Total sound power level L<sub>WA</sub> ISO 10302 measured on a hemisphere with a radius of 2 m.  
Sound pressure level L<sub>pA</sub> measured at 1 m distance from fan axis.  
The values given are applicable only under the specified measuring conditions and may differ depending on the installation conditions.  
In the event of deviation from the standard configuration, the parameters must be checked after installation!  
For detailed information see <http://www.ebmpapst.com/general-conditions>



Max. 900 m<sup>3</sup>/h

# DC axial fans

172 x 150 x 51 mm



- **Material:** Housing: Die-cast aluminum  
Impeller: GRP<sup>1)</sup> (PA)
  - **Direction of air flow:** Exhaust over struts
  - **Direction of rotation:** Counterclockwise, looking towards rotor
  - **Connection:** Via single wires AWG 18, 20 or AWG 22, TR 64, speed signal and control input AWG 22
  - **Highlights:** Highly efficient and smoothly operating 3-phase fan drive  
Housing with grounding lug for screw M4 x 8 (Torx)
  - **Weight:** 760 g
- **Possible special versions:** (See chapter DC fans - specials)
    - Speed signal
    - Go / NoGo alarm
    - Alarm with speed limit
    - External temperature sensor
    - Internal temperature sensor
    - PWM control input
    - Analog control input
    - Moisture protection
    - Salt spray protection
    - Degree of protection: IP 54
    - Reversible direction of rotation

1) Fiberglass-reinforced plastic

Series 6400 TD  
WVS0143XULCS

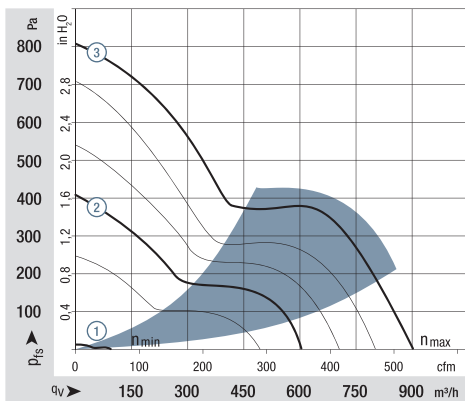
**Nominal data**

Type	Air flow		Nominal voltage		Voltage range		Sound pressure level		Sound power level		Sinter sleeve bearings Ball bearings		Power consumption**		Nominal speed		Temperature range		Service life L <sub>10</sub> (40 °C) ebm-papst standard		Service life L <sub>10</sub> (T <sub>max</sub> ) ebm-papst standard		Life expectancy L <sub>10</sub> IPC (40 °C) see page 15		Curve
	m <sup>3</sup> /h	cfm	VDC	VDC	dB(A)	Bel(A)	□ / ■	Watts	rpm <sup>-1</sup>	°C	Hours	Hours	Hours	Hours											
Min Max 6424 TD...	90	53	24	16...28	18	—	■	2	800	-20...+60	70 000 / 45 000	117 500	①												
	600	353			65	7.4		50	5 100					②											
Min Max 6448 TD...	90	53	48	40...55*	18	—	■	2	800	-20...+60	70 000 / 45 000	117 500	①												
	600	353			65	7.4		50	5 100					②											
Min Max 6448 TDHH...	90	53	48	36...72	18	—	■	2	800	-20...+60	70 000 / 45 000	117 500	①												
	900	530			78	8.6		163	7500					③											

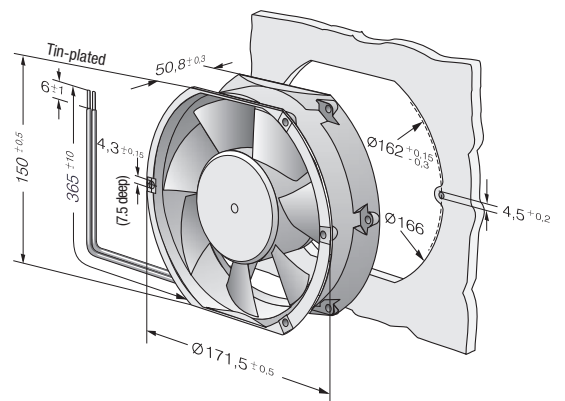
Subject to change

\* Variants with an extended voltage range available on request.

Models 6424 TD..., 6448 TD... and 6448 TDHH... are available in customer-specific, custom-developed variants only. The figures indicated are technically feasible benchmark values. The fans can be specially adapted to your application with signal outputs and control inputs. For details of the technical possibilities, refer to the chapters on the sensor signal, alarm signal and control inputs beginning on page 175. \*\* Power consumption at free air flow, these values can be significantly higher in the operating point.



Air performance measured according to: ISO 5801. Installation category A, without contact protection. Noise: Total sound power level L<sub>WA</sub> ISO 10302 measured on a hemisphere with a radius of 2 m. Sound pressure level L<sub>pA</sub> measured at 1 m distance from fan axis. The values given are applicable only under the specified measuring conditions and may differ depending on the installation conditions. In the event of deviation from the standard configuration, the parameters must be checked after installation! For detailed information see <http://www.ebmpapst.com/general-conditions>



Max. 530 m<sup>3</sup>/h

# DC diagonal fan

172 x 160 x 51 mm



- **Material:** Housing: Die-cast aluminum  
Impeller: GRP<sup>1)</sup> (PA)
  - **Direction of air flow:** Exhaust over struts
  - **Direction of rotation:** Counterclockwise, looking towards rotor
  - **Connection:** Via single wires AWG 22, TR 64
  - **Highlights:** Housing with grounding lug for screw M4 x 8 (Torx)
  - **Weight:** 820 g
- **Possible special versions:** (See chapter DC fans - specials)
    - Speed signal
    - Go / NoGo alarm
    - Alarm with speed limit
    - External temperature sensor
    - Internal temperature sensor
    - PWM control input
    - Analog control input
    - Moisture protection
    - Salt spray protection
    - Degree of protection: IP 54

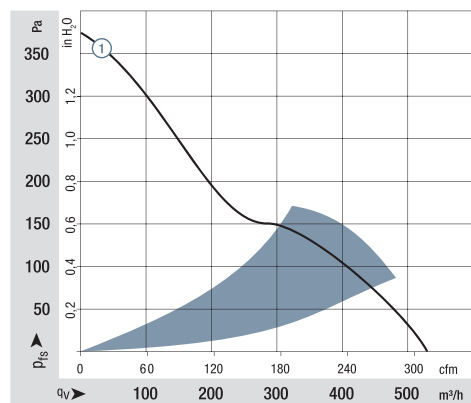
1) Fiberglass-reinforced plastic

Series DV 6400  
VK0S154XULCS

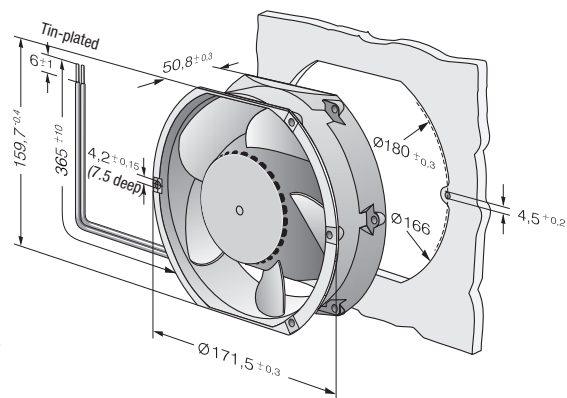
### Nominal data

Type	Air flow		Nominal voltage	Voltage range	Sound pressure level	Sound power level	Sintec sleeve bearings Ball bearings	Power consumption	Nominal speed	Temperature range	Service life L <sub>10</sub> (40 °C) ebm-papst standard	Service life L <sub>10</sub> (T <sub>max</sub> ) ebm-papst standard	Life expectancy L <sub>10</sub> IPC (40 °C) see page 15	Curve
	m <sup>3</sup> /h	cfm												
DV 6424	530	312	24	16...28	65	7.3	■	40	4 300	-20...+75	90 000 / 35 000	152 500	①	
DV 6448/12	530	312	48	28...60	65	7.3	■	40	4 300	-20...+75	90 000 / 35 000	152 500	①	

Subject to change



Air performance measured according to: ISO 5801.  
Installation category A, without contact protection.  
Noise: Total sound power level L<sub>WA</sub> ISO 10302 measured on a hemisphere with a radius of 2 m.  
Sound pressure level L<sub>PA</sub> measured at 1 m distance from fan axis.  
The values given are applicable only under the specified measuring conditions and may differ depending on the installation conditions.  
In the event of deviation from the standard configuration, the parameters must be checked after installation!  
For detailed information see <http://www.ebmpapst.com/general-conditions>



Max. 680 m<sup>3</sup>/h

# DC diagonal fan

172 x 160 x 51 mm



- **Material:** Housing: Die-cast aluminum  
Impeller: GRP<sup>1)</sup> (PA)
- **Direction of air flow:** Exhaust over struts
- **Direction of rotation:** Counterclockwise, looking towards rotor
- **Connection:** Via single wires AWG 22, TR 64
- **Highlights:** 3-phase fan drive with very smooth operation and high efficiency. Housing with grounding lug for screw M4 x 8 (Torx)
- **Weight:** 820 g
- **Possible special versions:** (See chapter DC fans - specials)
  - Speed signal
  - Go / NoGo alarm
  - Alarm with speed limit
  - External temperature sensor
  - Internal temperature sensor
  - PWM control input
  - Analog control input
  - Moisture protection
  - Salt spray protection
  - Degree of protection: IP 54
  - Reversible direction of rotation

1) Fiberglass-reinforced plastic

Series DV 6400 TD  
TURBOFAN  
VKS0154XULCS

**Nominal data**

Type	Air flow		Nominal voltage		Voltage range		Sound pressure level		Sound power level		Sintec sleeve bearings Ball bearings	Power consumption*	Nominal speed	Temperature range	Service life L <sub>10</sub> (40 °C) ebm-papst standard	Service life L <sub>10</sub> (T <sub>max</sub> ) ebm-papst standard	Life expectancy L <sub>10</sub> IPC (40 °C) see page 15	Curve
	m <sup>3</sup> /h	cfm	VDC	VDC	dB(A)	Bel(A)	□ / ■	Watts	rpm <sup>-1</sup>	°C	Hours	Hours	Hours					
Min Max DV 6424 TD...	100	59	24	16...28	29	—	■	2	800	-20...+60	65 000 / 40 000	110 000	①					
	680	400			71	7.9								91	5 500	②		
Min Max DV 6448 TD...	100	59	48	40...55	29	—	■	2	800	-20...+60	65 000 / 40 000	110 000	①					
	680	400			71	7.9								86	5 500	②		

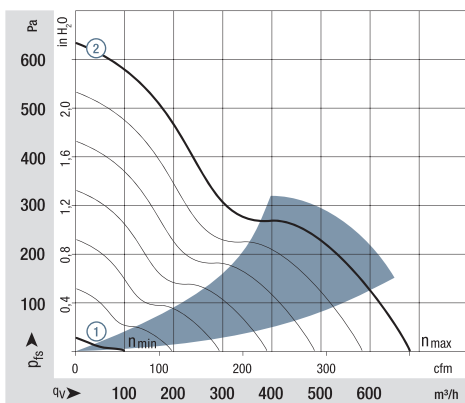
Subject to change

Models DV 6424 TD... and DV 6448 TD... are available in customer-specific, custom-developed variants only.

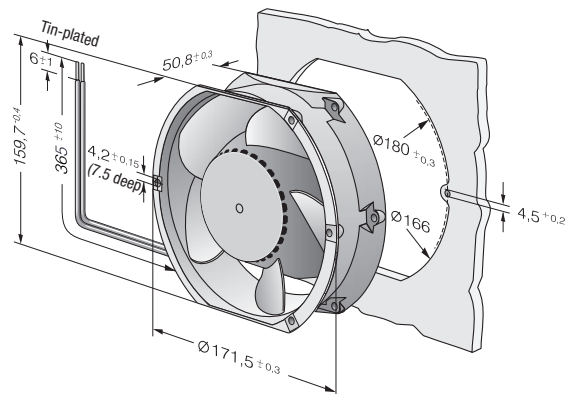
The figures indicated are technically feasible benchmark values. The fans can be specially adapted to your application with signal outputs and control inputs.

For details of the technical possibilities, refer to the chapters on the sensor signal, alarm signal and control inputs beginning on page 175.

\* Power consumption at free air flow. These values can be significantly higher in the operating point.



Air performance measured according to: ISO 5801.  
Installation category A, without contact protection.  
Noise: Total sound power level L<sub>WA</sub> ISO 10302 measured on a hemisphere with a radius of 2 m.  
Sound pressure level L<sub>pA</sub> measured at 1 m distance from fan axis.  
The values given are applicable only under the specified measuring conditions and may differ depending on the installation conditions.  
In the event of deviation from the standard configuration, the parameters must be checked after installation!  
For detailed information see <http://www.ebmpapst.com/general conditions>





Max. 1030 m<sup>3</sup>/h  
**S-Panther**

## DC axial fans

172 x 160 x 51 mm



- **Material:** Housing: Die-cast aluminum  
Impeller: GRP<sup>1)</sup> (PA)
- **Direction of air flow:** Exhaust over struts
- **Direction of rotation:** Counterclockwise, looking towards rotor
- **Connection:** Via single wires AWG 18, 20 or AWG 22, TR 64, speed and alarm signals: AWG 22
- **Highlights:** Highly efficient and smoothly operating 3-phase fan drive  
Housing with grounding lug for screw M4 x 8 (Torx)
- **Weight:** 875 g
- **Possible special versions:** (See chapter DC fans - specials)
  - Speed signal
  - Go / NoGo alarm
  - Alarm with speed limit
  - External temperature sensor
  - Internal temperature sensor
  - PWM control input (standard)
  - Analog control input
  - Multi-option control input
  - Moisture protection
  - Salt spray protection
  - Degree of protection: IP 54

1) Fiberglass-reinforced plastic

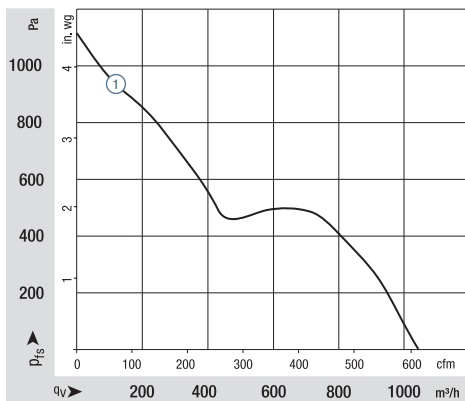
Series 6300 NTD  
WWS0148PULDS

### Nominal data

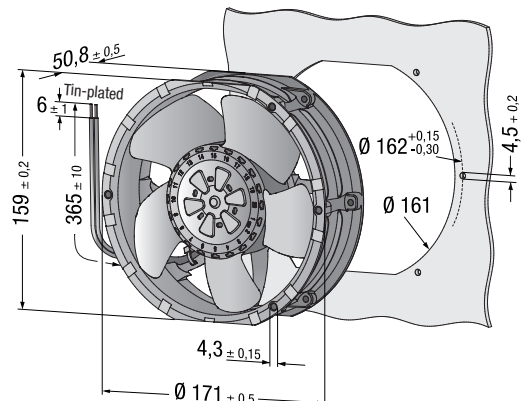
Type	Air flow		Nominal voltage	Voltage range	Sound pressure level	Sound power level	Sinter sleeve bearings Ball bearings	Power consumption*	Nominal speed	Temperature range	Service life L <sub>10</sub> (40 °C) ebm-papst standard	Service life L <sub>10</sub> (T <sub>max</sub> ) ebm-papst standard	Life expectancy L <sub>10</sub> (IPC (40 °C) see page 15	Curve
	m <sup>3</sup> /h	cfm	VDC	VDC	dB(A)	Bel(A)	□ / ■	Watts	rpm <sup>-1</sup>	°C	Hours	Hours	Hours	①
6318 N/2 TDH3P-303	1030	611	48	36...72	76	8.3	■	160	7 500	-20...+70	60 000 / 30 000	102 500	102 500	①

Subject to change

Speed control range from 1000 rpm<sup>-1</sup> up to maximum nominal speed. Standstill at 0 % PWM, maximum speed if control cable is interrupted.  
\* Power consumption at free air flow. These values can be significantly higher in the operating point.



Air performance measured according to: ISO 5801.  
Installation category A, without contact protection.  
Noise: Total sound power level L<sub>WA</sub> ISO 10302 measured on a hemisphere with a radius of 2 m.  
Sound pressure level L<sub>PA</sub> measured at 1 m distance from fan axis.  
The values given are applicable only under the specified measuring conditions and may differ depending on the installation conditions.  
In the event of deviation from the standard configuration, the parameters must be checked after installation!  
For detailed information see <http://www.ebmpapst.com/general conditions>



Max. 930 m<sup>3</sup>/h  
**S-Force**

## DC axial fans

172 x 160 x 51 mm



- **Material:** Housing: Die-cast aluminum  
Impeller: GRP<sup>1)</sup> (PA)
  - **Direction of air flow:** Exhaust over struts
  - **Direction of rotation:** Counterclockwise, looking towards rotor
  - **Connection:** Via single wires AWG 18, 20 or AWG 22, TR 64, speed signal and control input AWG 22
  - **Highlights:** Highly efficient and smoothly operating 3-phase fan drive  
Housing with grounding lug for screw M4 x 8 (Torx)
  - **Weight:** 910 g
- **Possible special versions:** (See chapter DC fans - specials)
    - Speed signal
    - Go / NoGo alarm
    - Alarm with speed limit
    - External temperature sensor
    - Internal temperature sensor
    - PWM control input (standard)
    - Analog control input
    - Multi-option control input
    - Moisture protection
    - Salt spray protection
    - Degree of protection: IP 54

1) Fiberglass-reinforced plastic

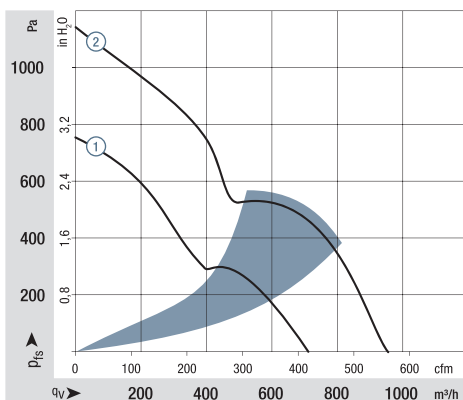
Series 6300 TD  
WVS0148XULDS

### Nominal data

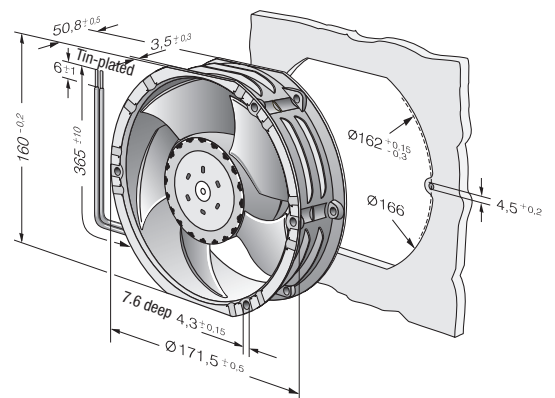
Type	Air flow		Nominal voltage		Sound pressure level		Sintec sleeve bearings Ball bearings	Power consumption*	Nominal speed	Temperature range	Service life L <sub>10</sub> (40 °C) ebm-papst standard	Service life L <sub>10</sub> (T <sub>max</sub> ) ebm-papst standard	Life expectancy L <sub>10</sub> IPC (40 °C) see page 15	Curve
	m <sup>3</sup> /h	cfm	VDC	VDC	dB(A)	Bel(A)								
6314/2 TDHHP-015	710	418	24	16...36	69	7.9	■	67	7 000	-20...+75	62 500 / 25 000	105 000	①	
6318/2 TDH4P-007	930	546	48	36...72	75	8.4	■	150	9 200	-20...+75	52 500 / 20 000	87 500	②	

Subject to change

Speed control range from 1000 rpm<sup>-1</sup> up to maximum nominal speed.  
Standstill at 0 % PWM, maximum speed if control cable is interrupted.  
\* Power consumption at free air flow. These values can be significantly higher in the operating point.



Air performance measured according to: ISO 5801.  
Installation category A, without contact protection.  
Noise: Total sound power level L<sub>WA</sub> ISO 10302 measured on a hemisphere with a radius of 2 m.  
Sound pressure level L<sub>pA</sub> measured at 1 m distance from fan axis.  
The values given are applicable only under the specified measuring conditions and may differ depending on the installation conditions.  
In the event of deviation from the standard configuration, the parameters must be checked after installation!  
For detailed information see <http://www.ebmpapst.com/general conditions>



Max. 685 m<sup>3</sup>/h  
**S-Panther**

## DC axial fans

Ø 172 x 51 mm



- **Material:** Housing: Die-cast aluminum  
Impeller: GRP<sup>1)</sup> (PA)
  - **Direction of air flow:** Exhaust over struts
  - **Direction of rotation:** Counterclockwise, looking towards rotor
  - **Connection:** (+) and GND AWG 20, UL 1007, TR 64; speed signal and alarm signal: AWG 22, UL 1007, TR 64
  - **Highlights:** Highly efficient and smoothly operating 3-phase fan drive  
Housing with grounding lug for screw M4 x 8 (Torx)
  - **Weight:** 850 g
- **Possible special versions:** (See chapter DC fans - specials)
    - Speed signal
    - Go / NoGo alarm
    - Alarm with speed limit
    - External temperature sensor
    - Internal temperature sensor
    - PWM control input (standard)
    - Analog control input
    - Multi-option control input
    - Moisture protection
    - Salt spray protection
    - Degree of protection: IP 54 / IP 68

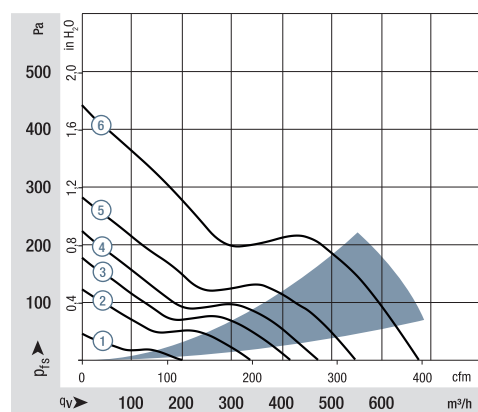
1) Fiberglass-reinforced plastic

Series 6300 N  
WVS0148PULCS

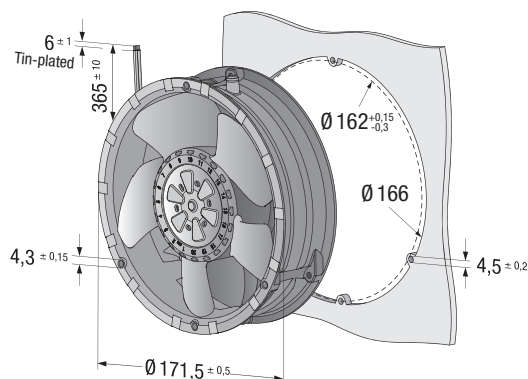
Nominal data	Air flow		Nominal voltage	Voltage range	Sound pressure level	Sound power level	Sinter sleeve bearings Ball bearings	Power consumption	Nominal speed	Temperature range	Service life L <sub>10</sub> (40 °C) ebm-papst standard	Service life L <sub>10</sub> (T <sub>max</sub> ) ebm-papst standard	Life expectancy L <sub>10</sub> IPC (40 °C) see page 15	Curve
	m <sup>3</sup> /h	cfm												
6312 NM	340	200	12	8...16	-	5.7	■	8	2500	-20...+70	87 500 / 35 000	147 500	②	
6312 NH	470	277	12	8...16	-	6.5	■	24	3500	-20...+70	82 500 / 32 500	140 000	④	
6314 NM	340	200	24	16...32	-	5.7	■	8	2500	-20...+70	87 500 / 35 000	147 500	②	
6314 NN	420	247	24	16...32	-	6.3	■	13	3000	-20...+70	85 000 / 32 500	142 500	③	
6314 NH	470	277	24	16...32	-	6.5	■	20	3500	-20...+70	82 500 / 32 500	140 000	④	
6314 N/2 HHP	540	318	24	16...32	-	6.9	■	32	4000	-20...+70	80 000 / 40 000	135 000	⑤	
6318 NL	200	118	48	36...60	-	4.4	■	3	1500	-20...+70	90 000 / 35 000	152 500	①	
6318 NM	340	200	48	36...60	-	5.7	■	8	2500	-20...+70	87 500 / 35 000	147 500	②	
6318 N/2 HHP	540	318	48	36...60	-	6.9	■	32	4000	-20...+70	80 000 / 40 000	135 000	⑤	
6318 N/2 H3P	685	403	48	36...60	-	7.5	■	53	5000	-20...+70	77 500 / 40 000	130 000	⑥	

Subject to change

Speed control range from 1000 rpm<sup>-1</sup> up to maximum nominal speed. Standstill at 0 % PWM, maximum speed if control cable is interrupted.



Air performance measured according to: ISO 5801.  
Installation category A, without contact protection.  
Noise: Total sound power level L<sub>WA</sub> ISO 10302 measured on a hemisphere with a radius of 2 m.  
Sound pressure level L<sub>pA</sub> measured at 1 m distance from fan axis.  
The values given are applicable only under the specified measuring conditions and may differ depending on the installation conditions.  
In the event of deviation from the standard configuration, the parameters must be checked after installation!  
For detailed information see <http://www.ebmpapst.com/general conditions>



Max. 1210 m<sup>3</sup>/h  
**S-Panther**

## DC axial fans

Ø 172 x 51 mm



- **Material:** Housing: Die-cast aluminum  
Impeller: GRP<sup>1)</sup> (PA)
  - **Direction of air flow:** Exhaust over struts
  - **Direction of rotation:** Counterclockwise, looking towards rotor
  - **Connection:** AWG 18, 20, UL 1007, TR 64; speed signal and control input: AWG 22, UL 1007, TR 64
  - **Highlights:** Highly efficient and smoothly operating 3-phase fan drive  
Housing with grounding lug for screw M4 x 8 (Torx)
  - **Weight:** 890 g
- **Possible special versions:** (See chapter DC fans - specials)
    - Speed signal
    - Go / NoGo alarm
    - Alarm with speed limit
    - External temperature sensor
    - Internal temperature sensor
    - PWM control input (standard)
    - Analog control input
    - Multi-option control input
    - Moisture protection
    - Salt spray protection
    - Degree of protection: IP 54

1) Fiberglass-reinforced plastic

Series 6300 NTD  
WWS0148PULDS

### Nominal data

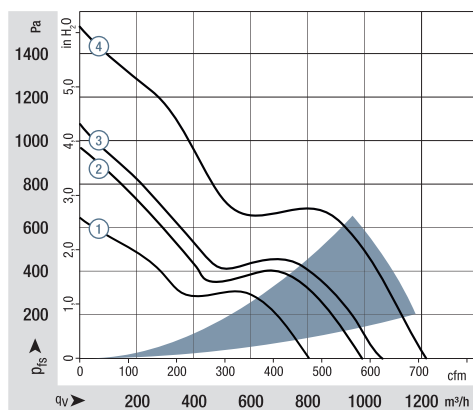
Type	Air flow		Nominal voltage		Sound pressure level		Sound power level		Sintec sleeve bearings Ball bearings	Power consumption*	Nominal speed	Temperature range	Service life L <sub>10</sub> (40 °C) ebm-papst standard	Service life L <sub>10</sub> (T <sub>max</sub> ) ebm-papst standard	Life expectancy L <sub>10</sub> IPC (40 °C) see page 15	Curve
	m <sup>3</sup> /h	cfm	VDC	VDC	dB(A)	Bel(A)	Watts	rpm <sup>-1</sup>								
6314 N/2 TDHHP	990	583	24	16...36	75	8.3	■	156	7200	-20...+70	62 500 / 32 500	105 000	②			
6318 N/2 TDHP	805	473	48	36...60	71	7.8	■	95	6000	-20...+70	75 000 / 37 500	127 500	①			
6318 N/2 TDH3P	1030	606	48	36...72	76	8.4	■	160	7500	-20...+70	60 000 / 30 000	102 500	③			
6318 N/2 TDH4P	1210	712	48	36...72	80	8.8	■	257	9000	-20...+65	45 000 / 25 000	75 000	④			

Subject to change

Speed control range from 1000 rpm<sup>-1</sup> up to maximum nominal speed.

Standstill at 0 % PWM, maximum speed if control cable is interrupted.

\* Power consumption at free air flow. These values can be significantly higher in the operating point.



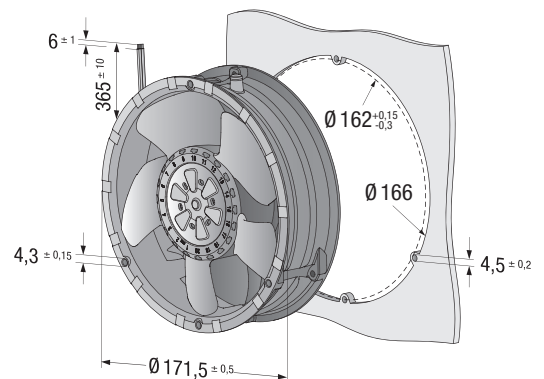
Air performance measured according to: ISO 5801.  
Installation category A, without contact protection.  
Noise: Total sound power level L<sub>WA</sub> ISO 10302 measured on a hemisphere with a radius of 2 m.  
Sound pressure level L<sub>PA</sub> measured at 1 m distance from fan axis.

The values given are applicable only under the specified measuring conditions and may differ depending on the installation conditions.

In the event of deviation from the standard configuration, the parameters must be checked after installation!

For detailed information see

[http://www.ebmpapst.com/general\\_conditions](http://www.ebmpapst.com/general_conditions)



Max. 545 m<sup>3</sup>/h  
**S-Force**

# DC axial fans

Ø 172 x 51 mm



- **Material:** Housing: Die-cast aluminum  
Impeller: GRP<sup>1)</sup> (PA)
  - **Direction of air flow:** Exhaust over struts
  - **Direction of rotation:** Counterclockwise, looking towards rotor
  - **Connection:** Via single wires AWG 22, TR 64
  - **Highlights:** Housing with grounding lug for screw M4 x 8 (Torx)
  - **Weight:** 825 g
- **Possible special versions:** (See chapter DC fans - specials)
    - Speed signal
    - Go / NoGo alarm
    - Alarm with speed limit
    - External temperature sensor
    - Internal temperature sensor
    - PWM control input (standard)
    - Analog control input
    - Moisture protection
    - Salt spray protection
    - Degree of protection: IP 54

1) Fiberglass-reinforced plastic

Series 6300  
VWS0148XULCS

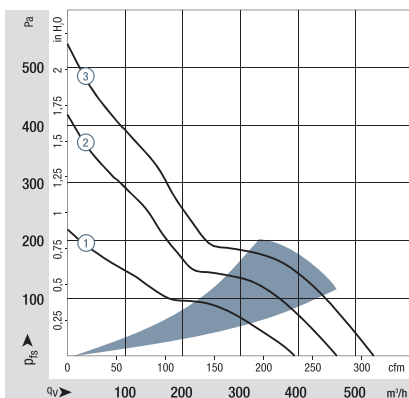
### Nominal data

Type	Air flow		Nominal voltage	Voltage range		Sound pressure level		Sintec sleeve bearings Ball bearings	Power consumption*	Nominal speed	Temperature range	Service life L <sub>10</sub> (40 °C) ebm-papst standard	Service life L <sub>10</sub> (T <sub>max</sub> ) ebm-papst standard	Life expectancy L <sub>10</sub> (IPC (40 °C) see page 15	Curve
	m <sup>3</sup> /h	cfm		VDC	VDC	dB(A)	Bel(A)								
6312/2 MP-204	360	211	12	8...16	49	5.8	■	15	3 500	-20...+65	82 500 / 47 500	140 000	①		
6314/2 MP	395	232	24	16...30	51	6.0	■	14	3 700	-20...+75	82 500 / 32 500	140 000	①		
6314/2 NP	470	276	24	16...30	56	6.5	■	23	4 400	-20...+70	80 000 / 40 000	135 000	②		
6314/2 HP	545	320	24	16...30	58	6.9	■	31	5 000	-20...+65	77 500 / 42 500	130 000	③		
6318/2 HP	545	320	48	36...72	58	6.9	■	32	5 000	-20...+65	77 500 / 42 500	130 000	③		

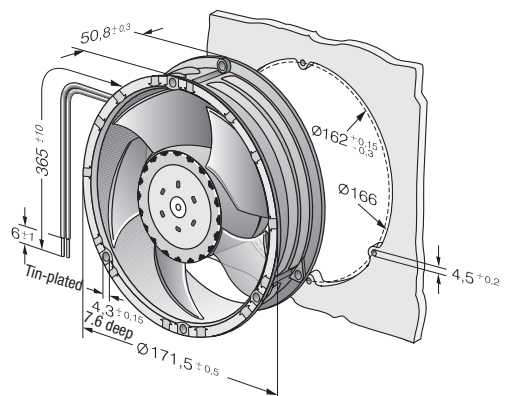
Subject to change

Speed control range from 700 rpm<sup>-1</sup> up to maximum nominal speed. Standstill at 0 % PWM, maximum speed if control cable is interrupted.

\* Power consumption at free air flow. These values can be significantly higher in the operating point.



Air performance measured according to: ISO 5801.  
Installation category A, without contact protection.  
Noise: Total sound power level L<sub>WA</sub> ISO 10302 measured on a hemisphere with a radius of 2 m.  
Sound pressure level L<sub>pA</sub> measured at 1 m distance from fan axis.  
The values given are applicable only under the specified measuring conditions and may differ depending on the installation conditions.  
In the event of deviation from the standard configuration, the parameters must be checked after installation!  
For detailed information see <http://www.ebmpapst.com/general conditions>



Max. 930 m<sup>3</sup>/h  
**S-Force**

## DC axial fans

Ø 172 x 51 mm



- **Material:** Housing: Die-cast aluminum  
Impeller: GRP<sup>1)</sup> (PA)
  - **Direction of air flow:** Exhaust over struts
  - **Direction of rotation:** Counterclockwise, looking towards rotor
  - **Connection:** Via single wires AWG 18, 20 or AWG 22, TR 64, speed signal and control input AWG 22
  - **Highlights:** Highly efficient and smoothly operating 3-phase fan drive  
Housing with grounding lug for screw M4 x 8 (Torx)
  - **Weight:** 910 g
- **Possible special versions:** (See chapter DC fans - specials)
    - Speed signal
    - Go / NoGo alarm
    - Alarm with speed limit
    - External temperature sensor
    - Internal temperature sensor
    - PWM control input (standard)
    - Analog control input
    - Multi-option control input
    - Moisture protection
    - Salt spray protection
    - Degree of protection: IP 54

1) Fiberglass-reinforced plastic

Series 6300 TD  
WVS0148XULDS

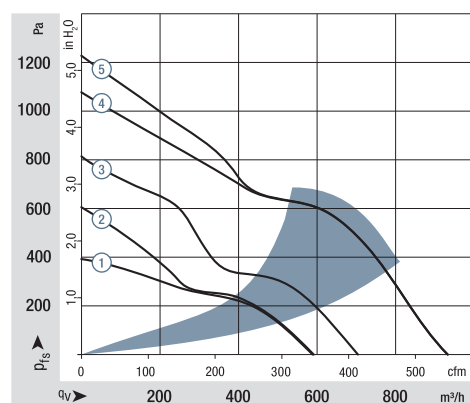
### Nominal data

Type	Air flow		Nominal voltage	Voltage range	Sound pressure level	Sound power level	Sinter sleeve bearings Ball bearings	Power consumption*	Nominal speed	Temperature range	Service life L <sub>10</sub> (40 °C) ebm-papst standard	Service life L <sub>10</sub> (T <sub>max</sub> ) ebm-papst standard	Life expectancy L <sub>10</sub> (IPPC) (40 °C) see page 15	Curve
	m <sup>3</sup> /h	cfm												
6312/2 TDHP	600	353	12	8...16	60	7.3	■	40	5 500	-20...+70	75 000 / 37 500	127 500	②	
6314/2 TDHP-298	600	353	24	16...30	60	7.3	■	42	5 500	-20...+65	75 000 / 42 500	127 500	①	
6314/2 TDHP	600	353	24	16...36	60	7.3	■	40	5 500	-20...+75	75 000 / 30 000	127 500	②	
6314/2 TDHHP	710	418	24	16...36	69	7.9	■	67	7 000	-20...+75	62 500 / 25 000	105 000	③	
6314/2 TDH4P	930	545	24	16...36	75	8.4	■	150	9 200	-20...+75	52 500 / 20 000	87 500	④	
6318/2 TDHP-299	600	353	48	36...60	60	7.3	■	42	5 500	-20...+65	75 000 / 42 500	127 500	①	
6318/2 TDHP	600	353	48	36...72	60	7.3	■	40	5 500	-20...+75	75 000 / 30 000	127 500	②	
6318/2 TDHHP	710	418	48	36...72	69	7.9	■	67	7 000	-20...+75	62 500 / 25 000	105 000	③	
6318/2 TDH4P	930	545	48	36...72	75	8.4	■	150	9 200	-20...+75	52 500 / 20 000	87 500	⑤	

Subject to change

Speed control range from 1000 rpm<sup>-1</sup> up to maximum nominal speed.  
Standstill at 0 % PWM, maximum speed if control cable is interrupted.

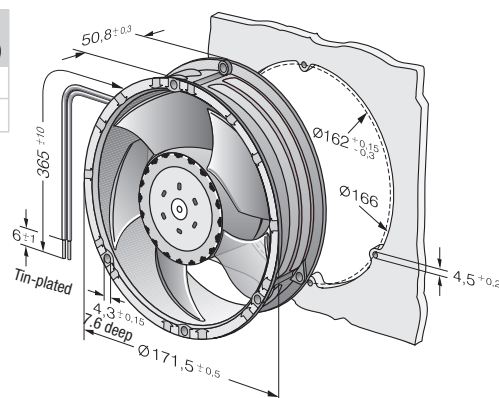
\* Power consumption at free air flow. These values can be significantly higher in the operating point.



### \* Power consumption – in operation

Fan type	optimum operating range (W)
6318/2 TDHHP	115
6318/2 TDH4P	270

Air performance measured according to: ISO 5801.  
Installation category A, without contact protection.  
Noise: Total sound power level L<sub>WA</sub> ISO 10302 measured on a hemisphere with a radius of 2 m.  
Sound pressure level L<sub>pA</sub> measured at 1 m distance from fan axis.  
The values given are applicable only under the specified measuring conditions and may differ depending on the installation conditions.  
In the event of deviation from the standard configuration, the parameters must be checked after installation!  
For detailed information see <http://www.ebmpapst.com/general-conditions>



Max. 1100 m<sup>3</sup>/h  
**S-Force**

## DC diagonal fan

Ø 172 x 51 mm



- **Material:** Housing: Die-cast aluminum  
Impeller: GRP<sup>1)</sup> (PA)
- **Direction of air flow:** Exhaust over struts
- **Direction of rotation:** Counterclockwise, looking towards rotor
- **Connection:** (+) and GND: AWG 18, UL 1007, TR 64; speed and alarm signal: AWG 22, UL 1007, TR 64
- **Highlights:** Highly efficient and smoothly operating 3-phase fan drive  
Housing with grounding lug for screw M4 x 8 (Torx)
- **Weight:** 1050 g

- **Possible special versions:** (See chapter DC fans - specials)
  - Speed signal
  - Go / NoGo alarm
  - Alarm with speed limit
  - External temperature sensor
  - Internal temperature sensor
  - PWM control input (standard)
  - Analog control input
  - Multi-option control input
  - Moisture protection
  - Salt spray protection
  - Degree of protection: IP 54

1) Fiberglass-reinforced plastic

Series DV 6300 TD  
VKSO168XULDS

### Nominal data

Type	Air flow		Nominal voltage	Voltage range	Sound pressure level	Sound power level	Sintec sleeve bearings Ball bearings	Power consumption	Nominal speed	Temperature range	Service life L <sub>10</sub> (40 °C) ebm-papst standard	Service life L <sub>10</sub> (T <sub>max</sub> ) ebm-papst standard	Life expectancy L <sub>10</sub> (IPPC) (40 °C) see page 15	Curve
	m <sup>3</sup> /h	cfm												
DV 6314/2 TDHHP	730	429	24	16...36	72	8.0	■	118	4850	-20...+60	75 000 / 47 000	127 500	②	
DV 6318/2 TDHP*	630	371	48	36...72	68	7.6	■	75	4000	-20...+65	70 000 / 40 000	117 500	①	
DV 6318/2 TDHHP*	730	429	48	36...72	72	8.0	■	118	4850	-20...+65	60 000 / 32 500	102 500	②	
DV 6318/2 TDH4P	1050	617	48	36...72	77	8.7	■	300	6500	-20...+65	50 000 / 27 500	85 000	③	
DV 6318/2 TDH5P**	1100	647	48	36...72	79	8.9	■	360	6800	-20...+65	40 000 / 22 500	67 500	④	

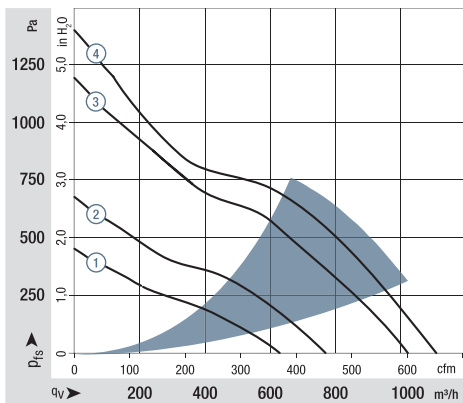
Subject to change

\* On request

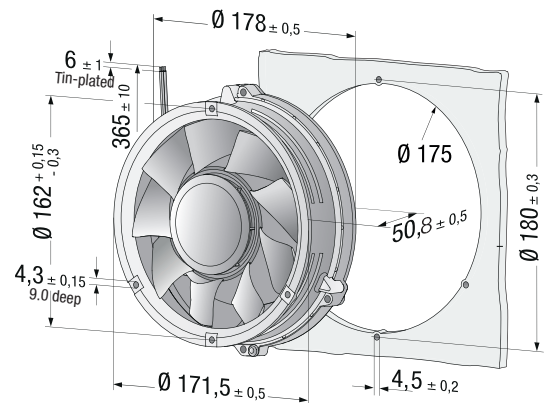
\*\* Rotor protrusion  
a = 3 mm

Speed control range from 1000 rpm<sup>-1</sup> up to maximum nominal speed. Standstill at 0 % PWM, maximum speed if control cable is interrupted.

The fan has an acceleration of up to 30% that produces a smoother curve.



Air performance measured according to: ISO 5801.  
Installation category A, without contact protection.  
Noise: Total sound power level L<sub>WA</sub> ISO 10302 measured on a hemisphere with a radius of 2 m.  
Sound pressure level L<sub>pA</sub> measured at 1 m distance from fan axis.  
The values given are applicable only under the specified measuring conditions and may differ depending on the installation conditions.  
In the event of deviation from the standard configuration, the parameters must be checked after installation!  
For detailed information see  
<http://www.ebmpapst.com/general conditions>



Max. 1220 m<sup>3</sup>/h  
**S-Force**

## DC axial fans

220 x 200 x 51 mm



- **Material:** Housing: Die-cast aluminum  
Impeller: GRP<sup>1)</sup> (PA)
  - **Direction of air flow:** Exhaust over struts
  - **Direction of rotation:** Counterclockwise, looking towards rotor
  - **Connection:** Via single wires AWG 18, 20 or AWG 22, TR 64, speed signal and control input AWG 22
  - **Highlights:** Highly efficient and smoothly operating 3-phase fan drive  
Housing with grounding lug for screw M4 x 8 (Torx)
  - **Weight:** 1000 g
- **Possible special versions:** (See chapter DC fans - specials)
    - Speed signal
    - Go / NoGo alarm
    - Alarm with speed limit
    - External temperature sensor
    - Internal temperature sensor
    - PWM control input
    - Analog control input
    - Multi-option control input
    - Moisture protection
    - Salt spray protection
    - Degree of protection: IP 54 / IP 68

1) Fiberglass-reinforced plastic

Series 2200 FTD  
VWS0184FULDS  
VWS0184FULCS

### Nominal data

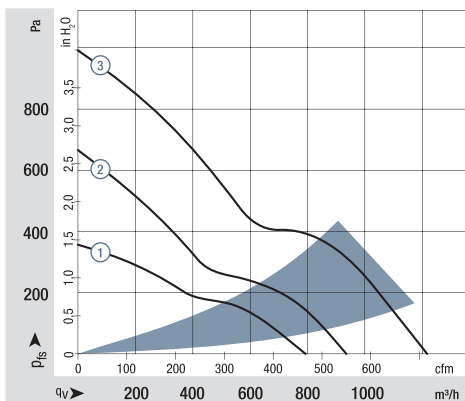
Type	Air flow		Nominal voltage	Voltage range	Sound pressure level	Sound power level	Sintec sleeve bearings Ball bearings	Power consumption*	Nominal speed	Temperature range	Service life L <sub>10</sub> (40 °C) ebm-papst standard	Service life L <sub>10</sub> (T <sub>max</sub> ) ebm-papst standard	Life expectancy L <sub>10</sub> IPC (40 °C) see page 15	Curve
	m <sup>3</sup> /h	cfm												
2214 F/2 TDHO	790	465	24	16...30	62	7.1	■	35	4250	-20...+75	90 000 / 42 500	152 500	①	
2214 F/2 TDHHO	940	553	24	16...36	66	7.4	■	48	5000	-20...+70	85 000 / 42 500	142 500	②	
2218 F/2 TDHO	790	465	48	36...57	62	7.1	■	35	4250	-20...+75	90 000 / 42 500	152 500	①	
2218 F/2 TDHHO	940	553	48	36...72	66	7.4	■	48	5000	-20...+70	85 000 / 42 500	142 500	②	
2218 F/2 TDH4P	1220	718	48	36...72	72	8.2	■	103	6500	-20...+65	70 000 / 40 000	117 500	③	

Subject to change

Speed control range from 1000 rpm<sup>-1</sup> up to maximum nominal speed.

Standstill at 0 % PWM, Type O: standstill if control wire is interrupted; Type P: maximum speed if control wire is interrupted.

\* Power consumption at free air flow. These values can be significantly higher in the operating point.



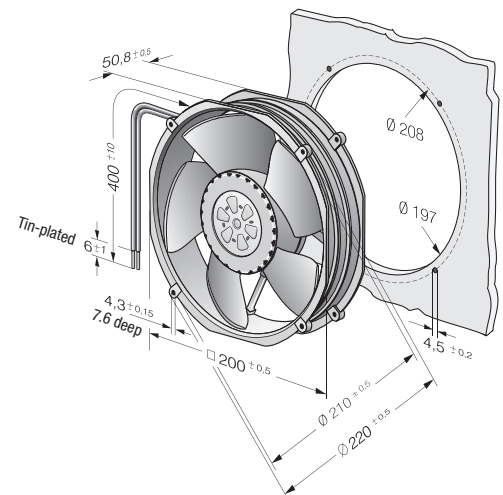
Air performance measured according to: ISO 5801.  
Installation category A, without contact protection.  
Noise: Total sound power level L<sub>WA</sub> ISO 10302 measured on a hemisphere with a radius of 2 m.  
Sound pressure level L<sub>pA</sub> measured at 1 m distance from fan axis.

The values given are applicable only under the specified measuring conditions and may differ depending on the installation conditions.

In the event of deviation from the standard configuration, the parameters must be checked after installation!

For detailed information see

<http://www.ebmpapst.com/general-conditions>





max. 1000 m<sup>3</sup>/h

# DC axial fans

□ 225 x 80 mm



- **Material:** Fan housing: Die-cast aluminum  
Impeller: GRP<sup>1)</sup>
  - **Direction of air flow:** Exhaust over struts
  - **Direction of rotation:** Counterclockwise, looking towards rotor
  - **Connection:** Via terminal strip
  - **Highlights:** 3-phase fan drive with very smooth operation  
Electrical commutation completely integrated
  - **Weight:** 2.1 kg
- **Possible special versions:** (See chapter DC fans - specials)
    - Speed signal
    - Go / NoGo alarm
    - Alarm with speed limit
    - External temperature sensor
    - Internal temperature sensor
    - PWM control input
    - Analog control input
    - Multi-option control input
    - Moisture protection
    - Degree of protection: IP 54

1) Fiberglass-reinforced plastic

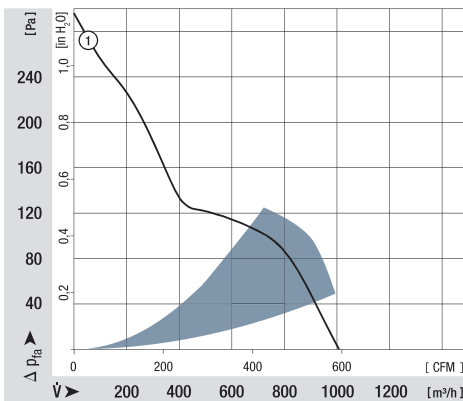
Series 2200 TD  
WVS0196XULCS

**Nominal data**

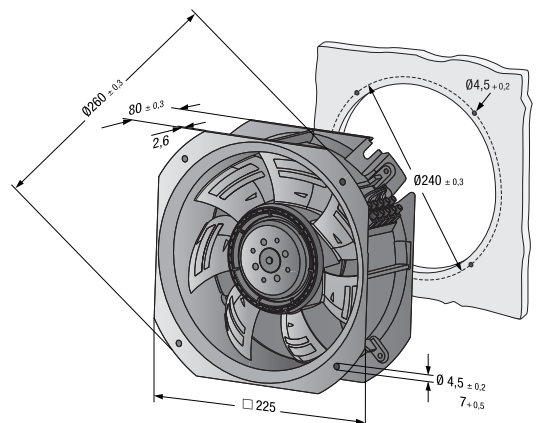
Type	Air flow		Nominal voltage	Voltage range	Sound pressure level	Sound power level	Sinter sleeve bearings Ball bearings	Power consumption	Nominal speed	Temperature range	Service life L <sub>10</sub> (40 °C) ebm-papst standard	Service life L <sub>10</sub> (T <sub>max</sub> ) ebm-papst standard	Life expectancy L <sub>10</sub> (IPC (40 °C) see page 15	Curve
	m <sup>3</sup> /h	cfm												
2214/2 TD0	1000	588	24	16...30	59	6.8	■	50	3 000	-20...+60	80 000 / 50 000		135 000	①
2218/2 TD0	1000	588	48	36...57	59	6.8	■	50	3 000	-20...+60	80 000 / 50 000		135 000	①

Subject to change

\* Power consumption at free air flow. These values can be significantly higher in the operating point.



Air performance measured according to: ISO 5801.  
Installation category A, without contact protection.  
Noise: Total sound power level L<sub>WA</sub> ISO 10302 measured on a hemisphere with a radius of 2 m.  
Sound pressure level L<sub>PA</sub> measured at 1 m distance from fan axis.  
The values given are applicable only under the specified measuring conditions and may differ depending on the installation conditions.  
In the event of deviation from the standard configuration, the parameters must be checked after installation!  
For detailed information see <http://www.ebmpapst.com/general-conditions>



Max. 1245 m<sup>3</sup>/h

# DC diagonal module

□ 225 x 80 mm



- **Material:** Housing and support bracket: Fiberglass-reinforced plastic (PA6)  
Impeller: Fiberglass-reinforced plastic (PA6)  
Rotor: Painted black
- **Number of blades:** 7
- **Direction of air flow:** "V"
- **Direction of rotation:** Clockwise, looking towards rotor
- **Degree of protection:** Ⓐ Ⓒ IP 44, Ⓑ Ⓓ IP 20, depending on installation and position
- **Insulation class:** "B"
- **Installation position:** Any
- **Condensation drainage holes:** Ⓐ Ⓒ none, Ⓑ Ⓓ seen on rotor
- **Mode of operation:** Continuous operation (S1)
- **Bearings:** Maintenance-free ball bearings

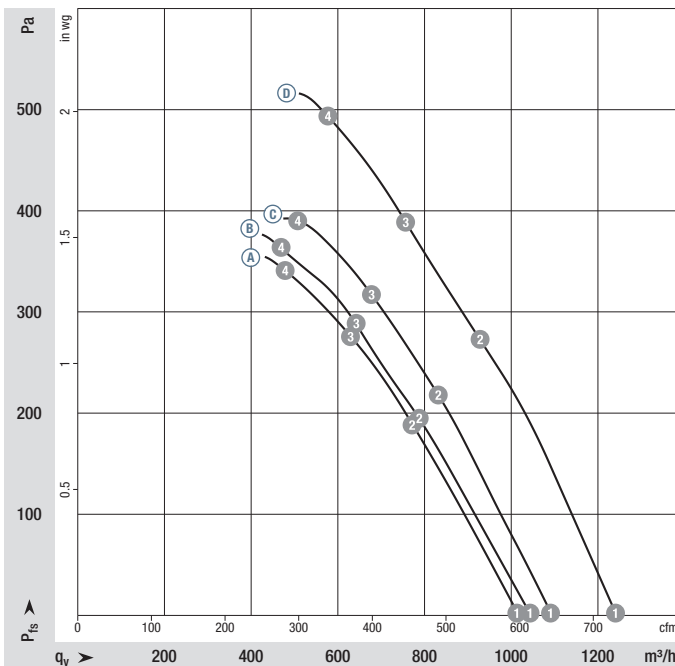
VJH0200XUNCS

## Nominal data

Type	Motor	Curve	Nominal voltage VDC	Nominal voltage range VDC	Air flow m <sup>3</sup> /h	Nominal speed rpm <sup>-1</sup>	Power consumption W	Input current A	Sound power level dB(A)	Admissible amb. temp. °C	Weight kg	Technical features and connection diagram
K1G 200-AD65-04	M1G 074-BF	Ⓐ	24	16...28	1020	3 400	95	4.7	76	-25...+60	1.8	p. 277 / J5)
K1G 200-AD31-02	M1G 074-BF	Ⓑ	24	16...28	1045	3 500	110	5.4	77	-25...+70	1.7	p. 277 / J5)
K1G 200-AD49-04	M1G 074-BF	Ⓒ	48	36...57	1095	3 650	120	3.4	77	-25...+60	1.8	p. 277 / J5)
K1G 200-AD37-02	M1G 074-BF	Ⓓ	48	36...57	1245	4 140	183	5.6	81	-25...+70	1.7	p. 277 / J5)

Subject to change

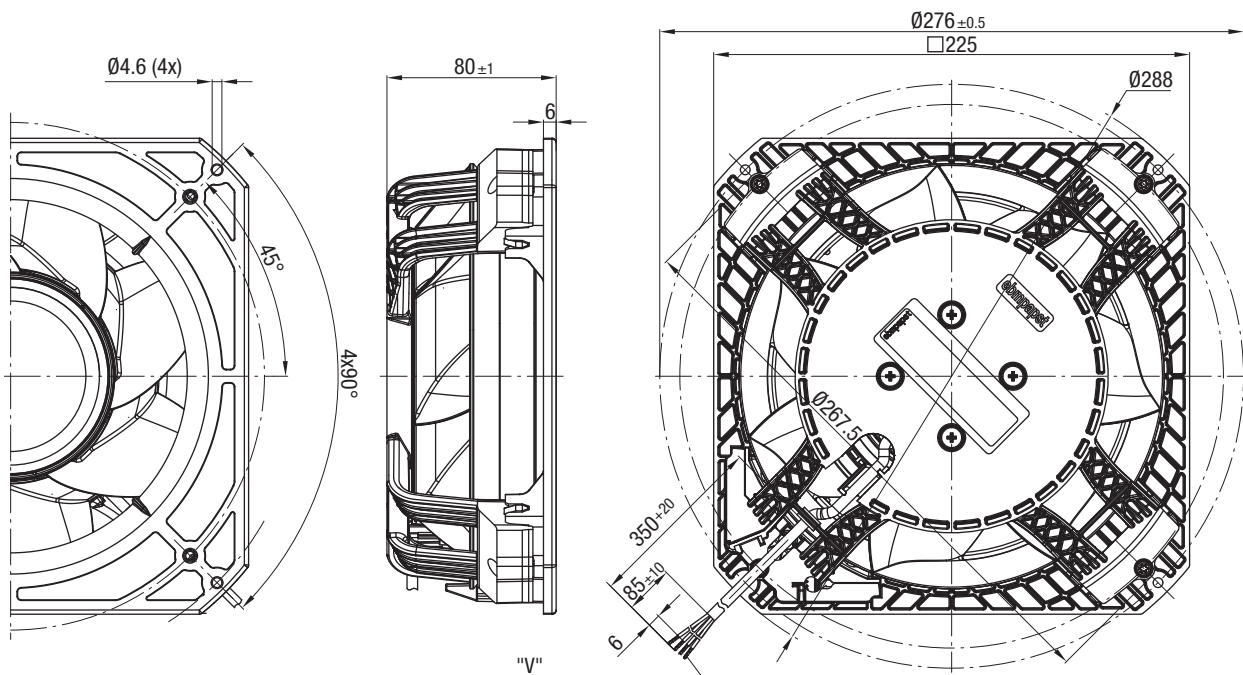
## Curves:



	n rpm <sup>-1</sup>	P <sub>ed</sub> W	I A	L <sub>WA</sub> dB(A)
Ⓐ ①	3400	95	4.70	76
Ⓐ ②	3410	116	5.61	74
Ⓐ ③	3410	119	5.75	74
Ⓐ ④	3410	117	5.62	76
Ⓑ ①	3500	110	5.40	77
Ⓑ ②	3510	127	6.24	75
Ⓑ ③	3510	129	6.31	75
Ⓑ ④	3510	125	6.15	76
Ⓒ ①	3650	120	3.40	77
Ⓒ ②	3645	141	3.90	75
Ⓒ ③	3640	145	3.99	76
Ⓒ ④	3645	141	3.88	80
Ⓓ ①	4140	183	5.60	81
Ⓓ ②	4080	212	6.46	79
Ⓓ ③	4060	213	6.52	79
Ⓓ ④	4105	211	6.43	80

Air performance measured according to: ISO 5801. Installation category A, without contact protection. Suction-side noise levels: LWA according to ISO 13347, LpA measured at 1 m distance from fan axis. The values given are applicable only under the specified measuring conditions and may differ depending on the installation conditions. In the event of deviation from the standard configuration, the parameters must be checked after installation! For detailed information see <http://www.ebmpapst.com/general-conditions>

- **Technical features:** See connection diagram p. 277
- **EMC:** Immunity to interference according to EN 61000-6-2 (industrial environment)  
Interference emission according to EN 55022 (Class B)
- **Cable exit:** Lateral
- **Protection class:** I (with customer connection to grounding conductor)
- **Conformity with standard(s):** EN 60335-1
- **Approvals**
  - Ⓐ Ⓒ UL 1004-1, CSA C22.2 no. 77
  - Ⓑ Ⓓ EAC, UL 1004-1, CSA C22.2 no. 77



**Cable assignment:**  
 Red = UN  
 Yellow = 0-10 VDC  
 White = tach output  
 Blue = GND

AWG 20 cable,  
 4x crimped splices

Max. 1650 m<sup>3</sup>/h

# DC diagonal module

□ 225 x 89 mm



- **Material:** Housing and support bracket: Plastic (PA)  
Impeller: Plastic (PA)  
Rotor: Painted black
- **Number of blades:** 7
- **Direction of air flow:** "V"
- **Direction of rotation:** Clockwise, looking towards rotor
- **Degree of protection:** Ⓐ Ⓒ IP 44, Ⓑ Ⓓ IP 20, depending on installation and position
- **Insulation class:** "B"
- **Installation position:** Any
- **Condensation drainage holes:** Ⓐ Ⓒ none, Ⓑ Ⓓ seen on rotor
- **Mode of operation:** Continuous operation (S1)
- **Bearings:** Maintenance-free ball bearings

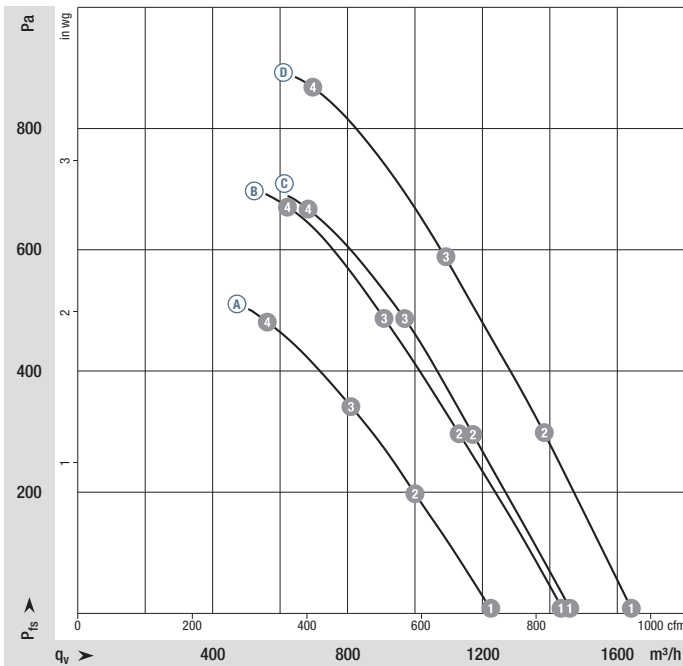
VJH0200XUNES

## Nominal data

Type	Motor	Curve	Nominal voltage VDC	Nominal voltage range VDC	Air flow m <sup>3</sup> /h	Nominal speed rpm <sup>-1</sup>	Power consumption W	Input current A	Sound power level dB(A)	Admissible amb. temp. °C	Weight kg	Technical features and connection diagram
K3G 200-BD46-04	M3G 074-CF	Ⓐ	24	16...28	1240	4120	170	7.0	80	-25...+60	2.3	p. 277 / J5)
K3G 200-BD44-02	M3G 074-CF	Ⓑ	24	16...28	1445	4830	275	11.5	84	-25...+60	2.3	p. 277 / J5)
K3G 200-BD64-04	M3G 074-CF	Ⓒ	48	36...57	1475	4875	275	5.8	85	-25...+60	2.3	p. 277 / J5)
K3G 200-BDA8-02	M3G 074-CF	Ⓓ	48	36...57	1650	5470	400	8.4	88	-25...+60	2.3	p. 277 / J5)

Subject to change

## Curves:

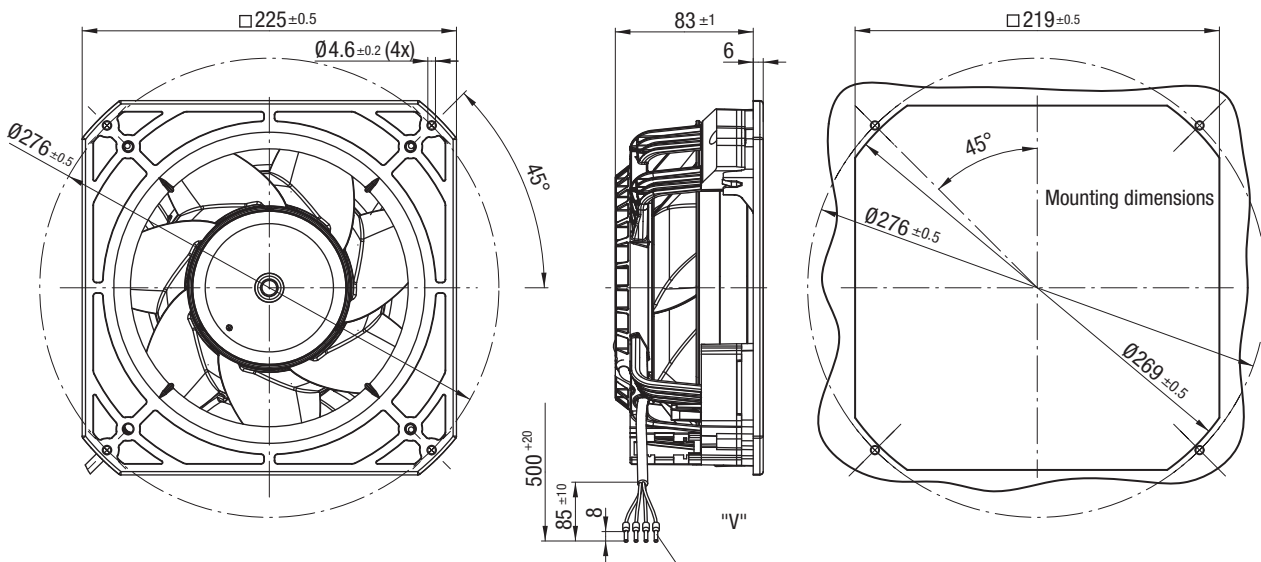


	n rpm <sup>-1</sup>	P <sub>ed</sub> W	I A	L <sub>WA</sub> dB(A)
Ⓐ ①	4120	170	7.00*	80
Ⓐ ②	4025	180	7.52*	77
Ⓐ ③	4005	187	7.80*	76
Ⓐ ④	4045	187	7.78*	78
Ⓑ ①	4830	275	11.50*	84
Ⓑ ②	4720	294	12.24*	81
Ⓑ ③	4685	299	12.48*	80
Ⓑ ④	4715	295	12.30*	83
Ⓒ ①	4875	275	5.80*	85
Ⓒ ②	4795	300	6.27*	81
Ⓒ ③	4755	307	6.41*	80
Ⓒ ④	4780	304	6.35*	82
Ⓓ ①	5470	400	8.40*	88
Ⓓ ②	5365	426	8.89*	85
Ⓓ ③	5310	438	9.17*	83
Ⓓ ④	5355	431	9.01*	87

\* Current measured at nominal voltage.

Air performance measured according to: ISO 5801. Installation category A, without contact protection. Suction-side noise levels: LWA according to ISO 13347, LpA measured at 1 m distance from fan axis. The values given are applicable only under the specified measuring conditions and may differ depending on the installation conditions. In the event of deviation from the standard configuration, the parameters must be checked after installation! For detailed information see <http://www.ebmpapst.com/general-conditions>

- **Technical features:** See connection diagram p. 277
- **EMC (48 V):** Immunity to interference according to EN 61000-6-2 (industrial environment)  
Interference emission according to EN 55022 (Class B, household environment)
- **Cable exit:** Lateral
- **Conformity with standard(s):** EN 60335-1
- **Approvals:** (24 V) EAC  
(48 V) EAC, CCC



**Cable assignment:**  
 Red = UN  
 Yellow = 0-10 VDC  
 White = tach output  
 Blue = GND

PVC AWG 16 cable  
 4x crimped ferrules

Max. 2070 m<sup>3</sup>/h

# DC axial fans

Ø 250 mm



- **Material:** Fan housing: Die-cast aluminum  
Blades: Plastic (PP)  
Rotor: Thick-film passivated
- **Number of blades:** 7
- **Direction of air flow:** "V"
- **Direction of rotation:** Counterclockwise, looking towards rotor
- **Insulation class:** "B"
- **Installation position:** Any
- **Condensation drainage holes:** On rotor side
- **Mode of operation:** Continuous operation (S1)
- **Bearings:** Maintenance-free ball bearings

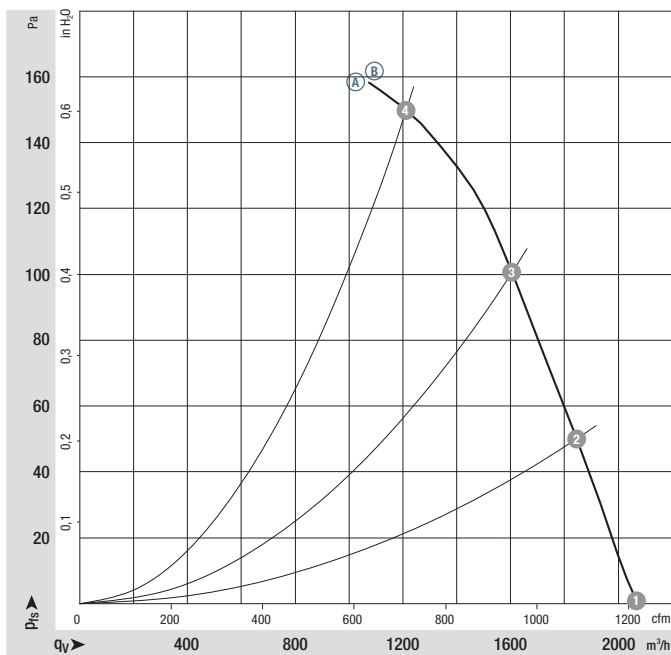
VWT250XUNCS

## Nominal data

Type	Motor	Curve	Nominal voltage VDC	Nominal voltage range VDC	Air flow m <sup>3</sup> /h	Nominal speed rpm <sup>-1</sup>	Power consumption W	Input current A	Max. back-pressure Pa	Admissible amb. temp. °C	Technical features and connection diagram
<b>W1G250-HJ87 -02</b>	M1G074-BF	Ⓐ	24	16-28	2070	3090	120	7.00	150	-25...+60	p. 273 / E
<b>W1G250-HJ20 -02</b>	M1G074-BF	Ⓑ	48	36-57	2070	3100	130	3.80	140	-25...+60	p. 273 / E

Subject to change

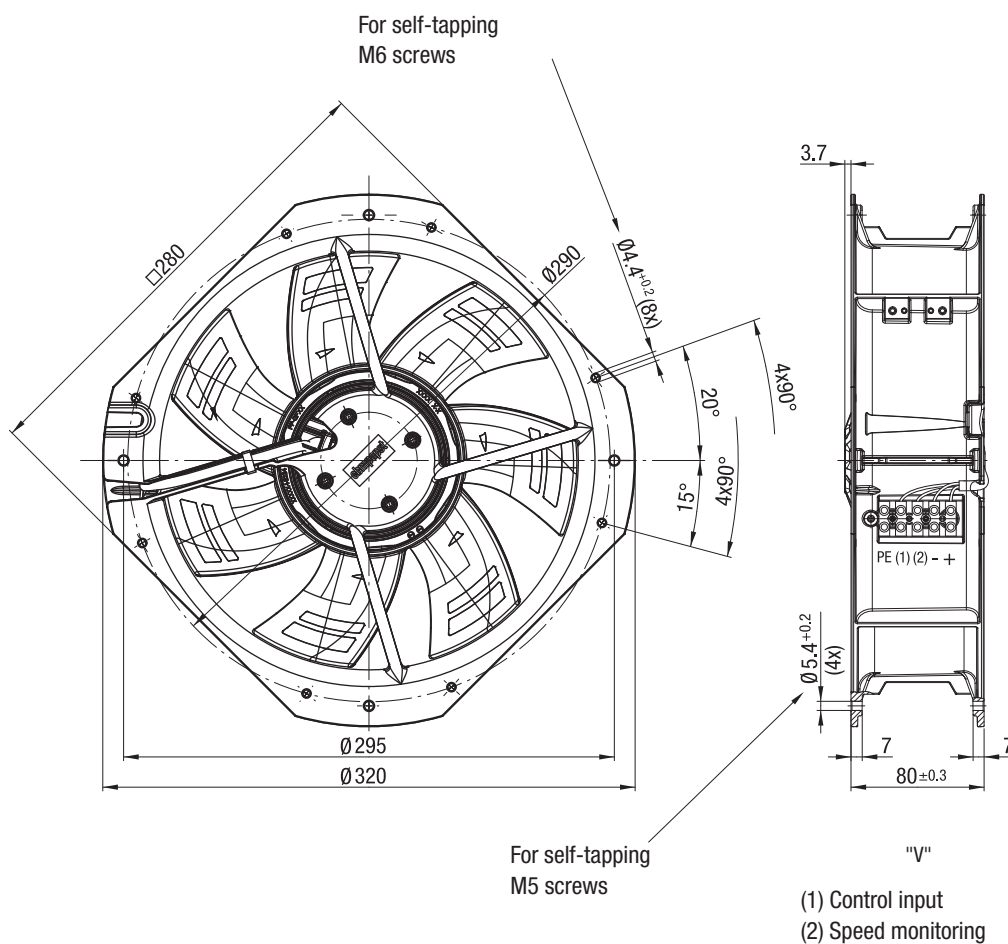
## Curves:



	n rpm <sup>-1</sup>	P <sub>ed</sub> W	I A	L <sub>WA</sub> dB(A)
Ⓐ ①	3090	120	6.80	74
Ⓐ ②	2950	124	7.10	73
Ⓐ ③	2820	127	7.43	73
Ⓐ ④	2730	130	7.80	78
Ⓑ ①	3100	130	3.80	74
Ⓑ ②	2945	133	4.10	73
Ⓑ ③	2810	135	4.20	73
Ⓑ ④	2720	136	4.20	78

Air performance measured according to: ISO 5801. Installation category A, without contact protection. Suction-side noise levels: L<sub>WA</sub> according to ISO 13347, L<sub>WA</sub> measured at 1 m distance from fan axis. The values given are applicable only under the specified measuring conditions and may differ depending on the installation conditions. In the event of deviation from the standard configuration, the parameters must be checked after installation! For detailed information see <http://www.ebmpapst.com/general-conditions>

- **Technical features:** See connection diagram p. 273
- **EMC:** Interference emission acc. to EN 55022 (Class B)  
Immunity to interference acc. to EN 61000-6-2 (industrial environment)
- **Electrical hookup:** Via terminal strip
- **Protection class:** I
- **Conformity with standard(s):** EN 60950-1



Max. 2345 m<sup>3</sup>/h

# DC axial fans – HyBlade®

Ø 300 mm



- **Material:** Finger guard: Steel, phosphated and coated in black plastic  
Fan housing: Sheet steel, pre-galvanized and coated in black plastic  
Blades: Plastic (PP)  
Rotor: Painted black
- **Number of blades:** 5
- **Direction of air flow:** "V"
- **Direction of rotation:** Counterclockwise, looking towards rotor
- **Degree of protection:** IP 42
- **Insulation class:** "B"
- **Installation position:** Any
- **Condensation drainage holes:** None
- **Mode of operation:** Continuous operation (S1)
- **Bearings:** Maintenance-free ball bearings

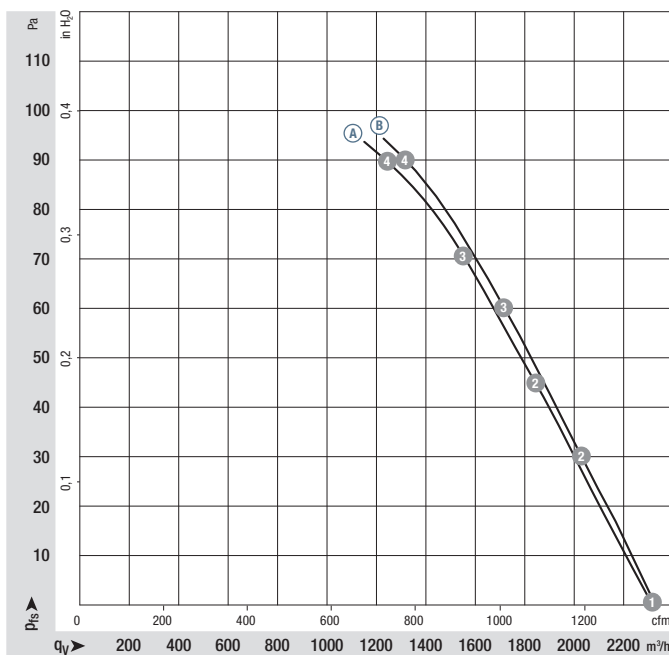
VWY0300XUNES  
VWR0300XUNES  
VMA0300XUNES

## Nominal data

Type	Motor	Curve	Nominal voltage VDC	Nominal voltage range VDC	Air flow m <sup>3</sup> /h	Nominal speed rpm <sup>-1</sup>	Power consumption W	Input current A	Max. back-pressure Pa	Admissible amb. temp. °C	Technical features and connection diagram
*1G 300	M1G 074-CF	Ⓐ	24	16-28	2320	1830	80	3.80	100	-25..+60	p. 277 / J5)
*1G 300	M1G 074-CF	Ⓑ	48	36-57	2345	1830	80	1.90	100	-25..+60	p. 277 / J5)

Subject to change

## Curves:






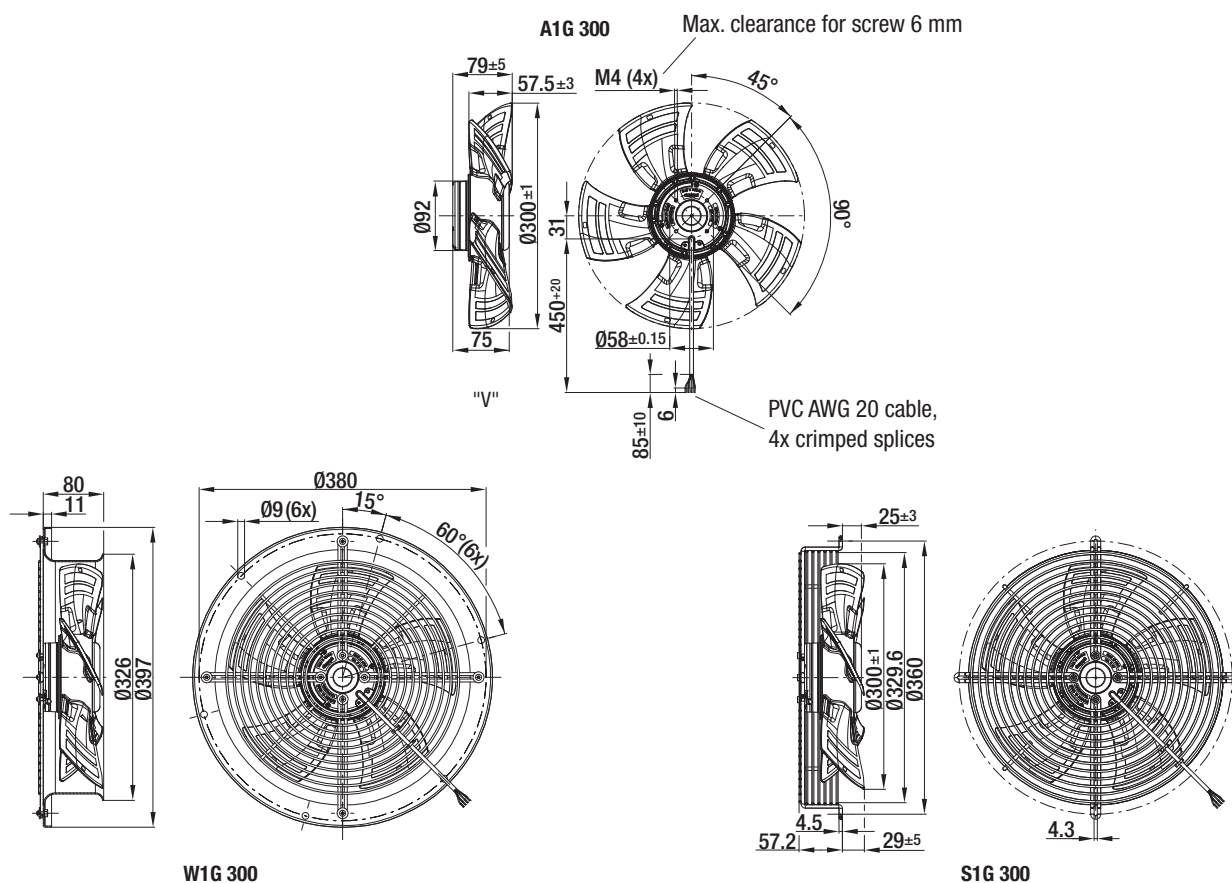
	n rpm <sup>-1</sup>	P <sub>ed</sub> W	I A	L <sub>WA</sub> dB(A)
Ⓐ ①	1810	80	3.80	67
Ⓐ ②	1730	86	4.03	67
Ⓐ ③	1690	87	4.10	66
Ⓐ ④	1635	89	4.21	70
Ⓑ ①	1870	87	2.00	68
Ⓑ ②	1805	90	2.10	67
Ⓑ ③	1765	91	2.13	67
Ⓑ ④	1695	92	2.19	69

Air performance measured according to: ISO 5801, installation category A, in ebm-papst full nozzle without contact protection. Suction-side noise levels: L<sub>WA</sub> according to ISO 13347, L<sub>WA</sub> measured at 1 m distance from fan axis. The values given are applicable only under the specified measuring conditions and may differ depending on the installation conditions. In the event of deviation from the standard configuration, the parameters must be checked after installation! For detailed information see <http://www.ebmpapst.com/general-conditions>



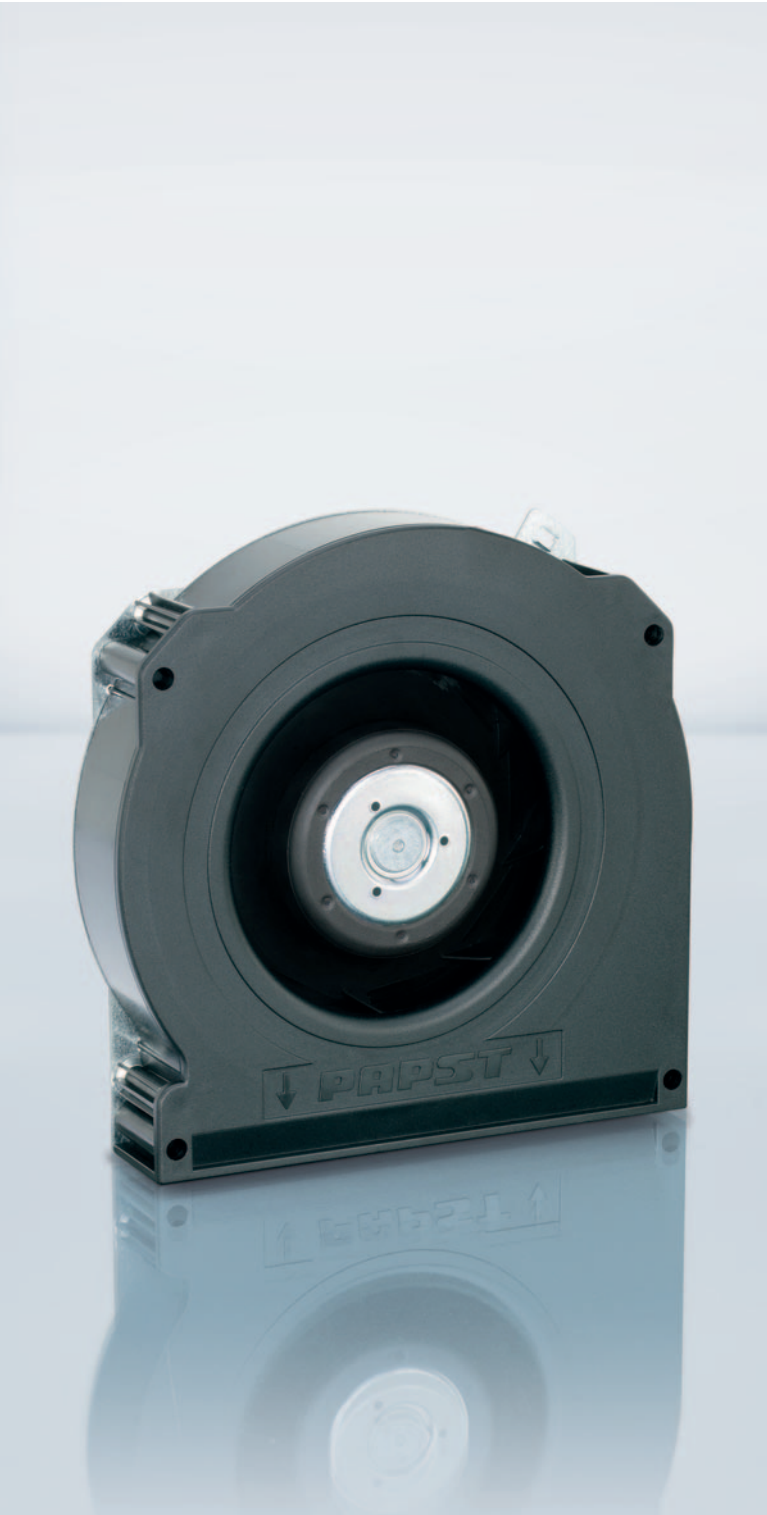
- **Technical features:** See connection diagram p. 277
- **EMC:** Interference emission acc. to EN 55022 (Class B)  
Immunity to interference acc. to EN 61000-6-2 (industrial environment)
- **Cable exit:** Lateral
- **Conformity with standard(s):** EN 60950-1, UL 1004-1, CSA C22.2 no. 100
- **Approvals:** GOST, UL

Airflow direction		Weight without attachments		Weight with full round nozzle		Weight with finger guard for short nozzle
	without attachments	kg	With full round nozzle	kg	With finger guard for short nozzle	kg
"V"	A1G 300-AC19 -54	1.8	W1G300-DC19 -54	3.8	S1G 300-AC19 -54	2.8
"V"	A1G 300-AC33 -54	1.8	W1G300-DC33 -54	3.8	S1G 300-AC33 -54	3.1





# DC centrifugal fans



DC centrifugal fan overview	93
DC centrifugal fans	95
DC tangential fans	148
DC centrifugal fans and blowers	150

# DC centrifugal fans

## Technical information



### Product line

Our centrifugal product line includes fans for every application. Whether as free-running impellers with a diameter between 97 mm and 225 mm, or as assemblies in a ready-to-install, compact housing with inlet ring with an edge length between 51 mm and 270 mm. Of course, all models feature highly efficient, brushless motor technology.

### Electronic protection against reverse polarity

ebm-papst DC fans have electronically commutated drives with electronic protection against reverse polarity. The electronics are integrated in the fan's impeller hub to save space.

### Product life expectancy

A distinctive feature of DC fan technology is the amazing product life expectancy. The outstanding efficiency of the brushless drive results in lower heat stress for the bearings, which significantly increases the service life of the fan.

### Degree of protection

DC fans with sleeve and ball bearings are powered by class E insulated motors. All ebm-papst fans conform to the requirements of degree of protection IP 20. Fans conforming to IP 54 / IP 68 and special degrees of protection are also available.

### Voltage range

Many of our DC fans can be operated on voltages that are up to 50 % lower and 25 % higher than their nominal voltage (see voltage range in the technical tables). This allows the air performance to be adapted to the cooling requirements and the noise to be reduced, even if the fan does not have a control input.

### Closed-loop speed control and monitoring

Closed-loop speed control and function monitoring are becoming increasingly important in many applications. ebm-papst offers many fans in the standard design with a control input and open-collector speed signal.

### S-Force centrifugal RadiCal

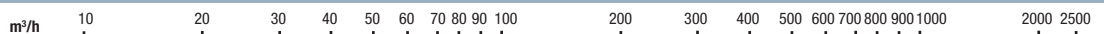
The S-Force centrifugal fans provide peak performance among fans of this type. With air flow capacity of over 1500 m<sup>3</sup>/h and a pressure increase of up to 1000 pascals, the highest heat flows are manageable. The models are extremely efficient due to the multi-pole, electronically commutated drive motors, and can be adapted individually to every application thanks to intelligent motor features. Some models use our highly efficient RadiCal impellers.

# Centrifugal fans for DC operation

## Overview of air performance

Dimension	Series	Air flow	Air flow																Page								
			10	20	30	40	50	60	70	80	90	100	200	300	400	500	600	700		800	900	1000	2000	2500			
mm		m³/h																									
□ 51 x 15	RLF 35	9.6																									95
□ 76 x 27	RL 48	22...28																									96
□ 97 x 93.5 x 33	RL 65	56...61																									97
□ 121 x 37	RL 90 N	40...55																									98
□ 127 x 25	RLF 100	64...80																									99
□ 135 x 38	RG 90 N	55																									100
□ 180 x 40	RG 125 N	60...137																									101
□ 180 x 40	RG 140 NTD	118																									102
□ 220 x 56	RG 160 N	139...209																									103
□ 220 x 56	RG 160 NTD	59...444																									104
<i>S-Force</i> □ 226 x 85	RG 190 TD	630...930																									105
<i>S-Force</i> □ 270 x 99	RG 220 TD	1100																									106
<i>S-Force</i> □ 270 x 119	RG 225 TD	1090...1450																									107
∅ 85 x 68	RET 85	94																									108
∅ 97 x 41	RET 97 TD	220																									109
<i>S-Force</i> ∅ 104 x 25	REF 100	86...104																									110
∅ 101 x 52	RER 101 N	162...190																									111
<i>S-Force</i> ∅ 120 x 54	RER 120 TD	320...390																									112
∅ 120	R1G 120	250																									114
∅ 138 x 35	RER 125 N	110...166																									116
<i>S-Force</i> ∅ 133 x 91	RER 133 TD	460...565																									117
∅ 140 x 36	RER 140 TD	225																									118
∅ 165 x 51	RER 160 N	255																									119
<i>S-Force</i> ∅ 165 x 51	RER 160 NTD	360																									120
<i>S-Force</i> ∅ 175 x 55	REF 175 TD	800																									121
<i>S-Force</i> ∅ 175 x 69	RER 175 TD	600...980																									122
<i>S-Force</i> ∅ 190 x 69	RER 190 TD	650...970																									123
∅ 190	R1G 190	565...820																									124
∅ 190	R3G 190	880...930																									126
∅ 220	R1G 220	925...1080																									128
∅ 220	R3G 220	1200...1215																									130
<i>S-Force</i> ∅ 220 x 71	RER 220 TD	1063...1250																									132
<i>S-Force</i> ∅ 225 x 99	RER 225 TD	1190...1600																									133
∅ 225	R1G 225	990...1130																									134
∅ 225	R3G 225	1300...1340																									136
∅ 250	R1G 250	1035...1505																									138
∅ 250	R3G 250	1505...1640																									140
∅ 280	R1G 280	1780...2120																									142
∅ 280	R3G 280	2160...2190																									144
∅ 310	R3G 310	2310...2380																									146
201...413 x 50 x 48	QG 030	75...155																									148
∅ 85	*1G 085	95																									150
∅ 97	*1G 097	95																									152
∅ 108	*1G 108	200																									154
∅ 120	*1G 120	255																									156
∅ 133	*1G 133	225																									158
∅ 140	*1G 140	400...410																									160
∅ 146	*1G 146	465...470																									162
∅ 160	*1G 160	505																									164
∅ 133	D1G 133	700																									166
∅ 133	D1G 133	1020																									168
∅ 146	D1G 146	1000																									170
∅ 160	D1G 160	980																									172

Subject to change



# Centrifugal fans for DC operation

## Overview of technically feasible designs

Dimension	Centrifugal fans										Page				
	mm	Series	VDE, UL, CSA	SIEMENS sleeve bearings / ball bearings	Speed signal	Go / NoGo alarm	Alarm with speed limit	External temperature sensor	Internal temperature sensor	PWM control input		Analog control input	Multi-options control input	Moisture protection IP >= 54	IP 68
	□ 51 x 15	RLF 35	ja	■	•	-	-	-	-	•	-	-	-	-	95
	□ 76 x 27	RL 48	ja	■	•	•	•	•	•	•	-	•	-	-	96
	97 x 93,5 x 33	RL 65	ja	■	•	•	•	•	•	•	-	•	-	-	97
	□ 121 x 37	RL 90 N	ja	□/■	•	•	•	•	•	•	-	•	•	•	98
	□ 127 x 25	RLF 100	ja	■	•	•	•	•	•	•	-	•	•	-	99
	□ 135 x 38	RG 90 N	ja	□/■	•	•	•	•	•	•	-	•	•	•	100
	□ 180 x 40	RG 125 N	ja	■	•	•	•	•	•	•	-	•	•	•	101
	□ 180 x 40	RG 140 NTD	ja	■	•	•	•	-	•	•	-	•	•	•	102
	□ 220 x 56	RG 160 N	ja	■	•	•	•	•	•	•	-	•	•	•	103
	□ 220 x 56	RG 160 NTD	ja	■	•	•	•	•	•	•	-	•	•	-	104
<i>S-Force</i>	□ 226 x 85	RG 190 TD	ja	■	•	•	•	•	•	•	•	•	•	-	105
<i>S-Force</i>	□ 270 x 99	RG 220 TD	ja	■	•	•	•	•	•	•	-	•	•	-	106
<i>S-Force</i>	□ 270 x 119	RG 225 TD	ja	■	•	•	•	•	•	•	-	•	•	-	107
	∅ 85 x 68	RET 85 TD	ja	■	•	•	•	•	•	•	-	•	-	-	108
<i>S-Force</i>	∅ 97 x 41	RET 97 TD	ja	■	•	•	•	•	•	•	-	•	-	-	109
	∅ 104 x 25	REF 100	ja	■	•	•	•	•	•	•	-	•	•	-	110
	∅ 101 x 52	RER 101 N	ja	■	•	•	•	•	•	•	-	•	-	-	111
<i>S-Force</i>	∅ 120 x 54	RER 120 TD	ja	■	•	•	•	•	•	•	-	•	-	-	112
	∅ 138 x 35	RER 125 N	ja	■	•	•	•	•	•	•	-	•	•	•	116
<i>S-Force</i>	∅ 133 x 91	RER 133 TD	ja	■	•	•	•	•	•	•	•	•	•	-	117
	∅ 140 x 36	RER 140 TD	ja	■	•	•	•	•	•	•	•	•	•	-	118
	∅ 165 x 51	RER 160 N	ja	■	•	•	•	•	•	•	-	•	•	-	119
<i>S-Force</i>	∅ 165 x 51	RER 160 NTD	ja	■	•	•	•	•	•	•	-	•	•	-	120
<i>S-Force</i>	∅ 175 x 55	REF 175 TD	ja	■	•	•	•	•	•	•	•	•	•	-	121
<i>S-Force</i>	∅ 175 x 69	RER 175 TD	ja	■	•	•	•	•	•	•	•	•	•	-	122
<i>S-Force</i>	∅ 190 x 69	RER 190 TD	ja	■	•	•	•	•	•	•	•	•	•	-	123
<i>S-Force</i>	∅ 220 x 71	RER 220 TD	ja	■	•	•	•	•	•	•	•	•	•	-	132
<i>S-Force</i>	∅ 225 x 99	RER 225 TD	ja	■	•	•	•	•	•	•	•	•	•	-	133
	201...413 x 50 x 48	QG 030	ja	□/■	•	-	-	-	-	-	-	•	-	-	148

- Not yet available   □ Sleeve bearings  
• Available   ■ Ball bearings

Please note that these special versions are not possible for all voltages and speeds, and not in all combinations. The special versions are designed for specific customers and projects. As a rule they are not available off the shelf and are subject to minimum volumes.

Please consult your customer support representative about the feasibility of your special variant.

### Optional special versions (see page 10)

On the catalog pages and in the overview on page 10, we provide information about the special designs that are technically feasible in the fan series. Please note that these special versions are not possible for all voltages and speeds, and not in all combinations. The special

versions are designed for specific customers and projects and are usually not available off the shelf.

Max. 9.6 m<sup>3</sup>/h

## DC centrifugal fans

□ 51 x 15 mm



- **Material:** Scroll housing: GRP<sup>1)</sup>  
Impeller: GRP<sup>1)</sup>
  - **Direction of air flow:** Axial: Intake,  
Centrifugal: Exhaust
  - **Connection:** via single wires AWG 26, TR 64
  - **Highlights:** Forward-curved impeller
  - **Weight:** 40 g
- **Possible special versions:**  
(See chapter DC fans - specials)
    - Speed signal
    - PWM control input
    - Moisture protection

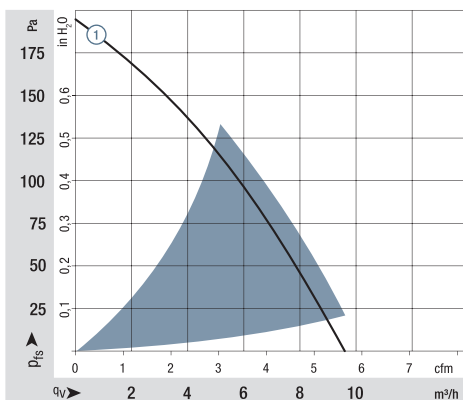
1) Fiberglass-reinforced plastic

Series RLF 35  
VHS0035XUDAS

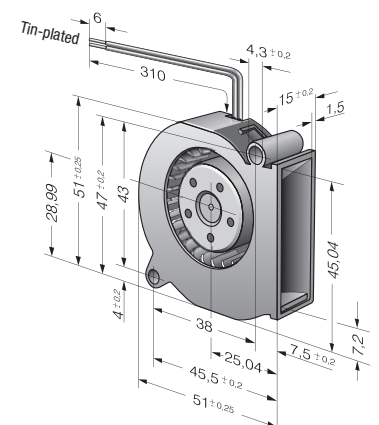
### Nominal data

Type	Air flow		Nominal voltage	Voltage range	Sound power level	Sinter sleeve bearings Ball bearings	Power consumption	Nominal speed	Temperature range	Service life L <sub>10</sub> (40 °C) ebm-papst standard	Service life L <sub>10</sub> (T <sub>max</sub> ) ebm-papst standard	Life expectancy L <sub>10</sub> IPC (40 °C) see page 15	Curve
	m <sup>3</sup> /h	cfm											
RLF 35-8/12 N	9.6	5.6	12	8...13.2	5.5	■	3.5	6 700	-20...+70	60 000 / 30 000	102 500	102 500	①
RLF 35-8/14 N	9.6	5.6	24	14...28	5.5	■	4.3	6 700	-20...+70	60 000 / 30 000	102 500	102 500	①

Subject to change



Air performance measured according to: ISO 5801.  
Installation category A, without contact protection.  
Noise: Total sound power level L<sub>WA</sub> ISO 10302 measured on a hemisphere with a radius of 2 m.  
Sound pressure level L<sub>PA</sub> measured at 1 m distance from fan axis.  
The values given are applicable only under the specified measuring conditions and may differ depending on the installation conditions.  
In the event of deviation from the standard configuration, the parameters must be checked after installation!  
For detailed information see <http://www.ebmpapst.com/general conditions>



Max. 28 m<sup>3</sup>/h

# DC centrifugal fans

□ 76 x 27 mm



- **Material:** Scroll housing: GRP<sup>1)</sup>  
Impeller: GRP<sup>1)</sup>
  - **Direction of air flow:** Axial: Intake,  
Centrifugal: Exhaust
  - **Connection:** via single wires AWG 26, TR 64
  - **Highlights:** Forward-curved impeller
  - **Weight:** 75 g
- **Possible special versions:**  
(See chapter DC fans - specials)
    - Speed signal
    - Go- / NoGo alarm
    - Alarm with speed limit
    - External temperature sensor
    - Internal temperature sensor
    - PWM control input
    - Analog control input
    - Moisture protection

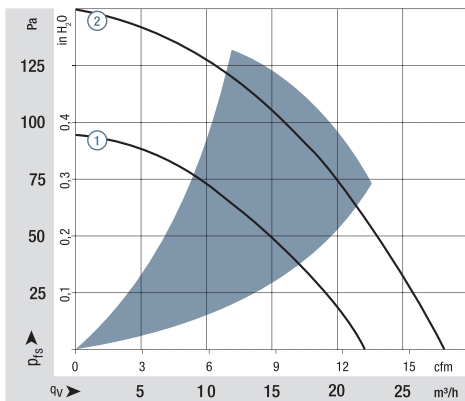
1) Fiberglass-reinforced plastic

Series RL 48  
VHS0048XUEBS

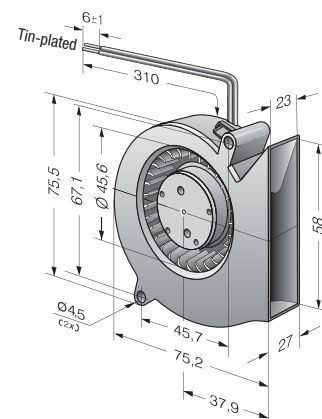
**Nominal data**

Type	Air flow		Nominal voltage	Voltage range		Sound power level	Sinter sleeve bearings Ball bearings	Power consumption	Nominal speed	Temperature range	Service life L <sub>10</sub> (40 °C) ebm-papst standard	Service life L <sub>10</sub> (T <sub>max</sub> ) ebm-papst standard	Life expectancy L <sub>10</sub> IPC (40 °C) see page 15	Curve
	m <sup>3</sup> /h	cfm		VDC	VDC									
RL 48-19/12 ML	22	12.9	12	8...15	5.3	■	5.0	3 500	-20...+70	70 000 / 35 000	117 500	①		
RL 48-19/12	28	16.5	12	8...13.5	5.7	■	4.6	4 400	-20...+70	60 000 / 30 000	102 500	②		
RL 48-19/14 ML	22	12.9	24	18...28	5.3	■	5.0	3 500	-20...+70	70 000 / 35 000	117 500	①		
RL 48-19/14	28	16.5	24	18...26.4	5.7	■	4.4	4 400	-20...+70	60 000 / 30 000	102 500	②		
RL 48-19/18 R-016	27	15.8	48	36...56	5.7	■	4.6	4 400	-32...+70	60 000 / 30 000	102 500	②		

Subject to change



Air performance measured according to: ISO 5801.  
Installation category A, without contact protection.  
Noise: Total sound power level L<sub>WA</sub> ISO 10302 measured on a hemisphere with a radius of 2 m.  
Sound pressure level L<sub>pA</sub> measured at 1 m distance from fan axis.  
The values given are applicable only under the specified measuring conditions and may differ depending on the installation conditions.  
In the event of deviation from the standard configuration, the parameters must be checked after installation!  
For detailed information see <http://www.ebmpapst.com/general conditions>





Max. 61 m<sup>3</sup>/h

# DC centrifugal fans

97 x 93.5 x 33 mm



- **Material:** Scroll housing: GRP<sup>1)</sup>  
Impeller: GRP<sup>1)</sup>
  - **Direction of air flow:** Axial: Intake,  
Centrifugal: Exhaust
  - **Connection:** via single wires AWG 26, TR 64
  - **Highlights:** Forward-curved impeller
  - **Weight:** 170 g
- **Possible special versions:**  
(See chapter DC fans - specials):
    - Speed signal
    - Go / NoGo alarm
    - Alarm with speed limit
    - External temperature sensor
    - Internal temperature sensor
    - PWM control input
    - Analog control input
    - Moisture protection

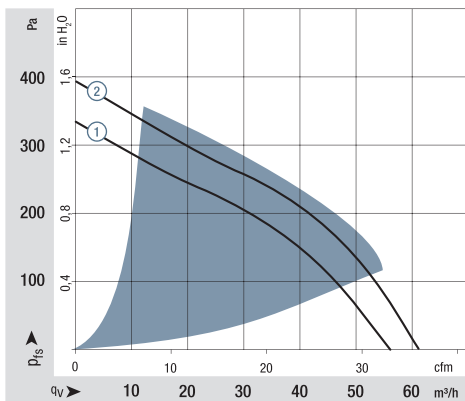
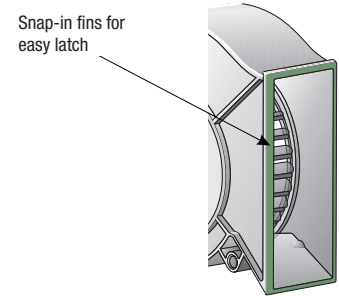
1) Fiberglass-reinforced plastic

Series RL 65  
VHS0065XUFBS

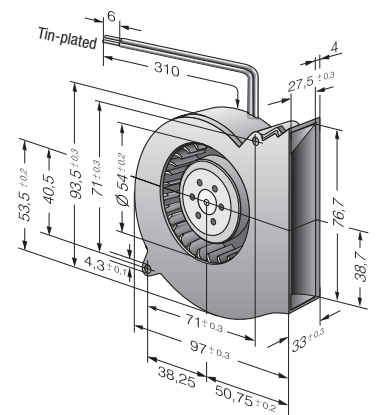
**Nominal data**

Type	Air flow		Nominal voltage	Voltage range		Sound power level	Sinter sleeve bearings Ball bearings	Power consumption	Nominal speed	Temperature range	Service life L <sub>10</sub> (40 °C) ebm-papst standard	Service life L <sub>10</sub> (T max) ebm-papst standard	Life expectancy L <sub>10</sub> (IPC (40 °C) see page 15	Curve
	m <sup>3</sup> /h	cfm		VDC	VDC									
RL 65-21/12	56	32.9	12	6.8...13.8	6.6	■	15.0	4 500	-20...+70	60 000 / 30 000	102 500	①		
RL 65-21/12 H	61	35.8	12	6.8...13.2	6.8	■	19.2	4 900	-20...+55	55 000 / 40 000	92 500	②		
RL 65-21/14	56	32.9	24	12...26.4	6.6	■	14.0	4 500	-20...+70	60 000 / 30 000	102 500	①		
RL 65-21/14 H	61	35.8	24	12...26.4	6.8	■	18.0	4 900	-20...+60	55 000 / 35 000	92 500	②		
RL 65-21/18/2 HPR-180	61	35.8	48	36...60	6.8	■	17.3	4 900	-20...+70	55 000 / 27 500	92 500	②		

Subject to change



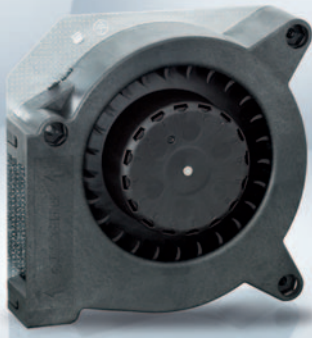
Air performance measured according to: ISO 5801.  
Installation category A, without contact protection.  
Noise: Total sound power level L<sub>WA</sub> ISO 10302 measured on a hemisphere with a radius of 2 m.  
Sound pressure level L<sub>pA</sub> measured at 1 m distance from fan axis.  
The values given are applicable only under the specified measuring conditions and may differ depending on the installation conditions.  
In the event of deviation from the standard configuration, the parameters must be checked after installation!  
For detailed information see <http://www.ebmpapst.com/general-conditions>



Max. 55 m<sup>3</sup>/h

# DC centrifugal fans

□ 121 x 37 mm



- **Material:** Scroll housing: GRP<sup>1)</sup>  
Impeller: GRP<sup>1)</sup>  
Base plate: Sheet steel
  - **Direction of air flow:** Axial: Intake,  
Centrifugal: Exhaust
  - **Connection:** via single wires AWG 22, TR 64
  - **Highlights:** Forward-curved impeller
  - **Weight:** 420 g
- **Possible special versions:** (See chapter DC fans - specials)
    - Speed signal
    - Go / NoGo alarm
    - Alarm with speed limit
    - External temperature sensor
    - Internal temperature sensor
    - PWM control input
    - Analog control input
    - Moisture protection
    - Salt spray protection
    - Degree of protection: IP 54 / IP 68

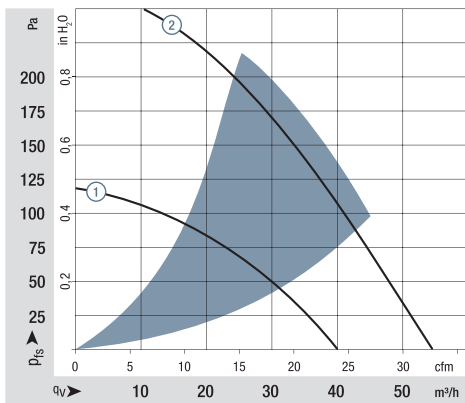
1) Fiberglass-reinforced plastic

Series RL 90 N  
VHS0090XUJBS

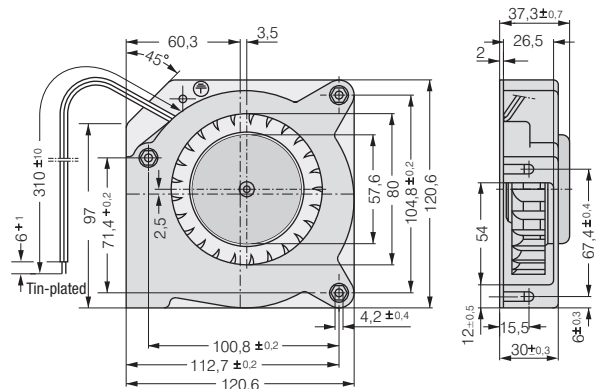
**Nominal data**

Type	Air flow		Nominal voltage	Voltage range		Sound power level	Sintec sleeve bearings Ball bearings	Power consumption	Nominal speed	Temperature range	Service life L <sub>10</sub> (40 °C) ebm-papst standard	Service life L <sub>10</sub> (T <sub>max</sub> ) ebm-papst standard	Life expectancy L <sub>10</sub> IPC (40 °C) see page 15	Curve
	m <sup>3</sup> /h	cfm		VDC	VDC									
RL 90-18/12 N	40	23.5	12	7...15	5.8	■	6.3	2 500	-30...+75	62 500 / 27 500	105 000	①		
RL 90-18/14 NG	40	23.5	24	12...28	5.8	□	5.6	2 500	-20...+75	62 500 / 27 500	105 000	①		
RL 90-18/14 N	40	23.5	24	12...28	5.8	■	5.6	2 500	-30...+75	62 500 / 27 500	105 000	①		
RL 90-18/18 NH	55	32.4	48	36...53	6.9	■	14.7	3 500	-30...+65	32 500 / 17 500	55 000	②		

Subject to change



Air performance measured according to: ISO 5801.  
Installation category A, without contact protection.  
Noise: Total sound power level L<sub>WA</sub> ISO 10302 measured on a hemisphere with a radius of 2 m; Sound pressure level L<sub>PA</sub> measured at 1 m distance from fan axis.  
The acoustic values are only valid for the described measurement setup and may vary depending on the installation situation.  
In the event of deviation from the standard configuration, the parameters must be checked after installation!  
For detailed information see <http://www.ebmpapst.com/general-conditions>

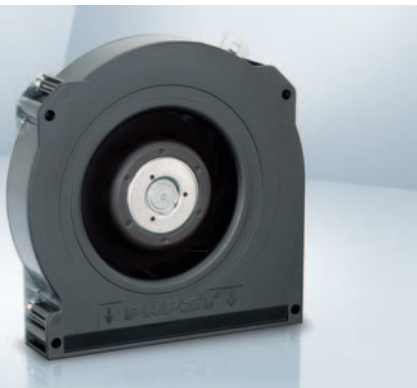


Screw clip M4 or 8-32UNC. Screw-in depth max. 12.5 min. 9.0

Max. 80 m<sup>3</sup>/h

# DC centrifugal fans

□ 127 x 25 mm



- **Material:** Scroll housing: GRP<sup>1)</sup>  
Impeller: GRP<sup>1)</sup>  
Base plate: Sheet steel
  - **Direction of air flow:** Axial: Intake,  
Centrifugal: Exhaust
  - **Connection:** via single wires AWG 22, TR 64
  - **Highlights:** Optional protective cap for outlet opening  
Backward-curved impeller
  - **Weight:** 320 g
- **Possible special versions:** (See chapter DC fans - specials)
    - Speed signal
    - Go / NoGo alarm
    - Alarm with speed limit
    - External temperature sensor
    - Internal temperature sensor
    - PWM control input
    - Analog control input
    - Moisture protection
    - Degree of protection: IP 54

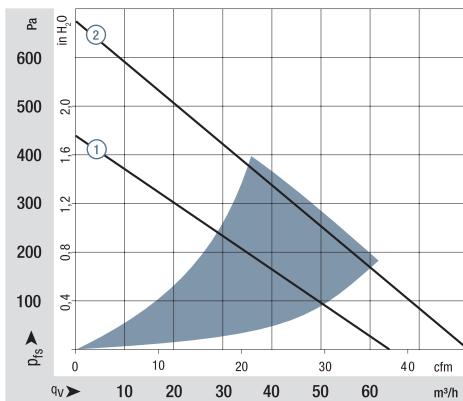
1) Fiberglass-reinforced plastic

Series RLF 100  
VCS0100XUGBS

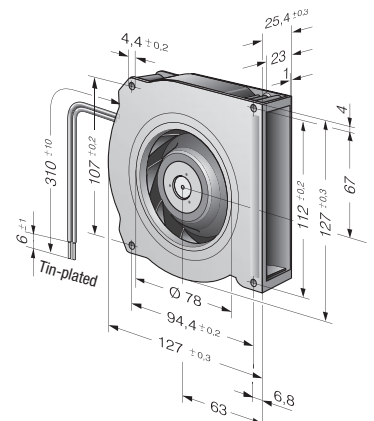
**Nominal data**

Type	Air flow		Nominal voltage	Voltage range		Sound power level	Sinter sleeve bearings Ball bearings	Power consumption	Nominal speed	Temperature range	Service life L <sub>10</sub> (40 °C) ebm-papst standard	Service life L <sub>10</sub> (T <sub>max</sub> ) ebm-papst standard	Life expectancy L <sub>10</sub> (IPC (40 °C) see page 15	Curve
	m <sup>3</sup> /h	cfm		VDC	VDC									
RLF 100-11/12	64	37.7	12	8...15	6.4	■	8.0	5 100	-20...+75	80 000 / 30 000	135 000	①		
RLF 100-11/14	64	37.7	24	16...30	6.4	■	8.0	5 100	-20...+75	80 000 / 30 000	135 000	①		
RLF 100-11/18	64	37.7	48	36...60	6.4	■	8.6	5 100	-20...+75	80 000 / 30 000	135 000	①		
High speed models with open-collector tachometer and PWM speed control.														
RLF 100-11/12/2 HP-200	80	47.1	12	10...13.2	7.5	■	18.6	6 400	-20...+60	72 500 / 45 000	122 500	②		
RLF 100-11/18/2 HP-182	80	47.1	48	43...53	7.5	■	17.0	6 400	-20...+70	72 500 / 35 000	122 500	②		

Subject to change



Air performance measured according to: ISO 5801.  
Installation category A, without contact protection.  
Noise: Total sound power level L<sub>WA</sub> ISO 10302 measured on a hemisphere with a radius of 2 m.  
Sound pressure level L<sub>pA</sub> measured at 1 m distance from fan axis.  
The values given are applicable only under the specified measuring conditions and may differ depending on the installation conditions.  
In the event of deviation from the standard configuration, the parameters must be checked after installation!  
For detailed information see <http://www.ebmpapst.com/general conditions>



Max. 55 m<sup>3</sup>/h

# DC centrifugal fans

□ 135 x 38 mm



- **Material:** Scroll housing: GRP<sup>1)</sup>  
Impeller: GRP<sup>1)</sup>  
Base plate: Sheet steel
  - **Direction of air flow:** Axial: Intake,  
Centrifugal: Exhaust
  - **Connection:** Via single wires AWG 22, TR 64  
48 V model: Flat plug  
6.3 x 0.8 mm for ground  
conductor
  - **Highlights:** Forward-curved impeller
  - **Weight:** 440 g
- **Possible special versions:**  
(See chapter DC fans - specials)
    - Speed signal
    - Go / NoGo alarm
    - Alarm with speed limit
    - External temperature sensor
    - Internal temperature sensor
    - PWM control input
    - Analog control input
    - Moisture protection
    - Salt spray protection
    - Degree of protection: IP 54 / IP 68

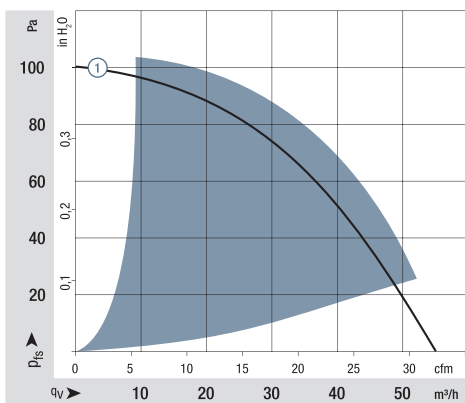
1) Fiberglass-reinforced plastic

Series RG 90 N  
VHS0090XUJBS

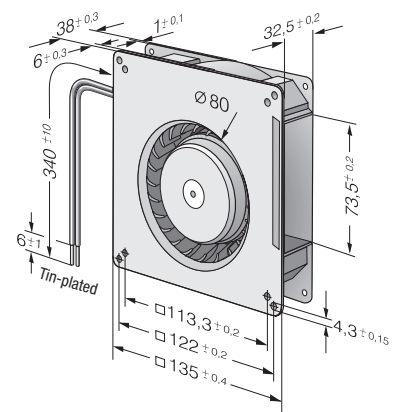
**Nominal data**

Type	Air flow		Nominal voltage	Voltage range		Sound power level	Sintec sleeve bearings Ball bearings	Power consumption	Nominal speed	Temperature range	Service life L <sub>10</sub> (40 °C) ebm-papst standard	Service life L <sub>10</sub> (T <sub>max</sub> ) ebm-papst standard	Life expectancy L <sub>10</sub> IPC (40 °C) see page 15	Curve
	m <sup>3</sup> /h	cfm		VDC	VDC									
RG 90-18/12 N	55	32.4	12	7...15	5.5	■	6.7	2 200	-30...+75	62 500 / 27 500	105 000	①		
RG 90-18/14 N	55	32.4	24	12...28	5.5	■	6.2	2 200	-30...+75	62 500 / 27 500	105 000	①		
RG 90-18/18 N	55	32.4	48	36...56	5.5	■	6.1	2 200	-30...+75	62 500 / 27 500	105 000	①		

Subject to change



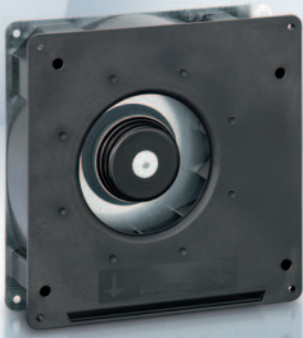
Air performance measured according to: ISO 5801.  
Installation category A, without contact protection.  
Noise: Total sound power level L<sub>wA</sub> ISO 10302 measured on a hemisphere with a radius of 2 m.  
Sound pressure level L<sub>pA</sub> measured at 1 m distance from fan axis.  
The values given are applicable only under the specified measuring conditions and may differ depending on the installation conditions.  
In the event of deviation from the standard configuration, the parameters must be checked after installation!  
For detailed information see <http://www.ebmpapst.com/general conditions>



Max. 137 m<sup>3</sup>/h

# DC centrifugal fans

□ 180 x 40 mm



- **Material:** Scroll housing: GRP<sup>1)</sup>  
Impeller: GRP<sup>1)</sup>  
Base plate: Sheet steel
  - **Direction of air flow:** Axial: Intake,  
Centrifugal: Exhaust
  - **Connection:** Via single wires AWG 22, TR 64  
48 V model: Flat plug  
6.3 x 0.8 mm for ground conductor
  - **Highlights:** Backward-curved impeller
  - **Weight:** 730 g
- **Possible special versions:** (See chapter DC fans - specials)
    - Speed signal
    - Go / NoGo alarm
    - Alarm with speed limit
    - External temperature sensor
    - Internal temperature sensor
    - PWM control input
    - Analog control input
    - Moisture protection
    - Salt spray protection
    - Degree of protection: IP 54 / IP 68

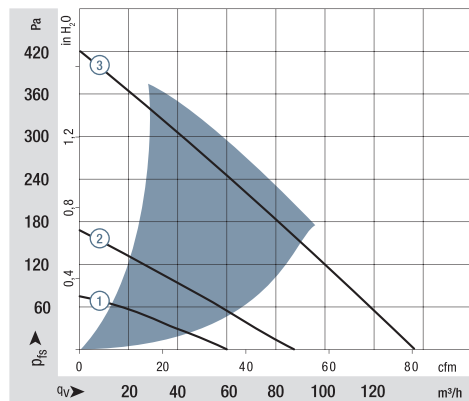
1) Fiberglass-reinforced plastic

Series RG 125 N  
VCS0125XUJBS

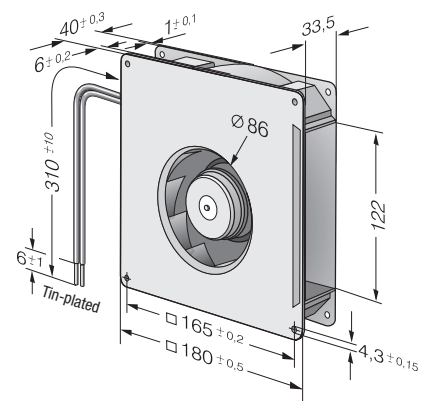
### Nominal data

Type	Air flow		Nominal voltage	Voltage range		Sound power level	Sinter sleeve bearings Ball bearings	Power consumption	Nominal speed	Temperature range	Service life L <sub>10</sub> (40 °C) ebm-papst standard	Service life L <sub>10</sub> (T <sub>max</sub> ) ebm-papst standard	Life expectancy L <sub>10</sub> (IPC (40 °C) see page 15	Curve
	m <sup>3</sup> /h	cfm		VDC	VDC									
RG 125-19/12 NM	60.0	35.3	12	7...15	4.8	■	2.0	1 750	-30...+75	70 000 / 30 000	117 500	①		
RG 125-19/12 N	87.5	51.5	12	7...15	5.8	■	5.2	2 550	-30...+75	62 500 / 27 500	105 000	②		
RG 125-19/14 NM	60.0	35.3	24	12...28	4.8	■	2.0	1 750	-30...+75	70 000 / 30 000	117 500	①		
RG 125-19/14 N	87.5	51.5	24	12...28	5.8	■	4.9	2 550	-30...+75	62 500 / 27 500	105 000	②		
RG 125-19/18 N	87.5	51.5	48	36...56	5.8	■	4.8	2 550	-30...+75	62 500 / 27 500	105 000	②		
RG 125-19/18 NH	137	80.6	48	36...56	7.0	■	19.0	4 000	-20...+70	55 000 / 27 500	92 500	③		

Subject to change



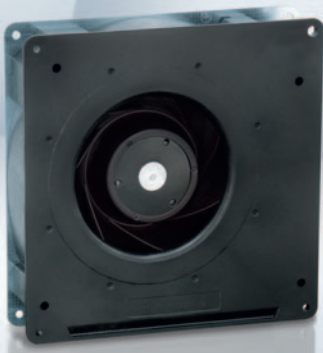
Air performance measured according to: ISO 5801.  
Installation category A, without contact protection.  
Noise: Total sound power level L<sub>WA</sub> ISO 10302 measured on a hemisphere with a radius of 2 m.  
Sound pressure level L<sub>pA</sub> measured at 1 m distance from fan axis.  
The values given are applicable only under the specified measuring conditions and may differ depending on the installation conditions.  
In the event of deviation from the standard configuration, the parameters must be checked after installation!  
For detailed information see <http://www.ebmpapst.com/general conditions>



Max. 118 m<sup>3</sup>/h

# DC centrifugal fans

□ 180 x 40 mm



- **Material:** Scroll housing: GRP<sup>1)</sup>  
Impeller: GRP<sup>1)</sup>  
Base plate: Sheet steel
- **Direction of air flow:** Axial: Intake,  
Centrifugal: Exhaust
- **Connection:** via single wires AWG 22, TR 64
- **Highlights:** Backward-curved impeller  
3-phase fan drive with special commutation electronics for extremely low-noise operation
- **Weight:** 750 g
- **Possible special versions:** (See chapter DC fans - specials)
  - Speed signal
  - Go / No-go alarm
  - Alarm with speed limit
  - External temperature sensor
  - PWM control input
  - Analog control input
  - Multi-option control input
  - Moisture protection
  - Salt spray protection
  - Degree of protection: IP 54

1) Fiberglass-reinforced plastic

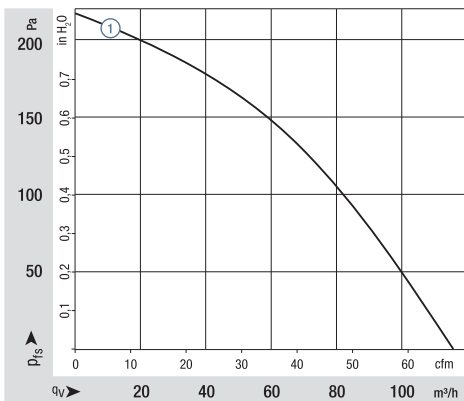
Series RG 140 NTD  
VCS0140XUJCS

**Nominal data**

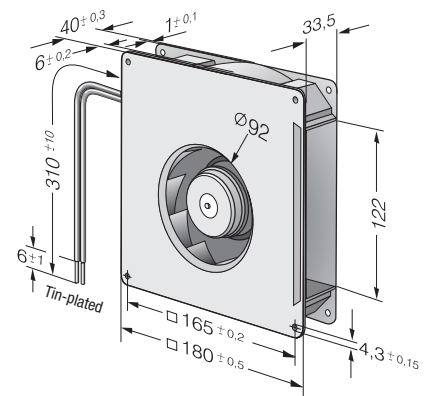
Type	Air flow		Nominal voltage	Voltage range		Sound power level	Sinter sleeve bearings Ball bearings	Power consumption	Nominal speed	Temperature range	Service life L <sub>10</sub> (40 °C) ebm-papst standard	Service life L <sub>10</sub> (T <sub>max</sub> ) ebm-papst standard	Life expectancy L <sub>10</sub> IPC (40 °C) see page 15	Curve
	m <sup>3</sup> /h	cfm		VDC	VDC									
RG 140-22/12 N/2 TDAU-505	118	69.4	12	10.8...13.2	6.0	■	10.2	2 500	-20...+70	62 500 / 32 500	105 000	①		
RG 140-22/14 N/2 TDPU	118	69.4	24	20.4...27.6	6.0	■	9.3	2 500	-20...+70	62 500 / 32 500	105 000	①		

Subject to change

Higher performance levels on request.



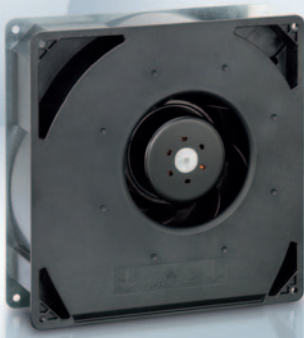
Air performance measured according to: ISO 5801.  
Installation category A, without contact protection.  
Noise: Total sound power level L<sub>WA</sub> ISO 10302 measured on a hemisphere with a radius of 2 m.  
Sound pressure level L<sub>pA</sub> measured at 1 m distance from fan axis.  
The values given are applicable only under the specified measuring conditions and may differ depending on the installation conditions.  
In the event of deviation from the standard configuration, the parameters must be checked after installation!  
For detailed information see <http://www.ebmpapst.com/general conditions>



Max. 209 m<sup>3</sup>/h

# DC centrifugal fans

□ 220 x 56 mm



- **Material:** Scroll housing: GRP<sup>1)</sup>  
Impeller: GRP<sup>1)</sup>  
Base plate: Sheet steel
  - **Direction of air flow:** Axial: Intake,  
Centrifugal: Exhaust
  - **Connection:** Via single wires AWG 22, TR 64  
48 V model: Flat plug  
6.3 x 0.8 mm for ground conductor
  - **Highlights:** Backward-curved impeller
  - **Weight:** 1.4 kg
- **Possible special versions:**  
(See chapter DC fans - specials)
    - Speed signal
    - Go / NoGo alarm
    - Alarm with speed limit
    - External temperature sensor
    - Internal temperature sensor
    - PWM control input
    - Analog control input
    - Moisture protection
    - Salt spray protection
    - Degree of protection: IP 54

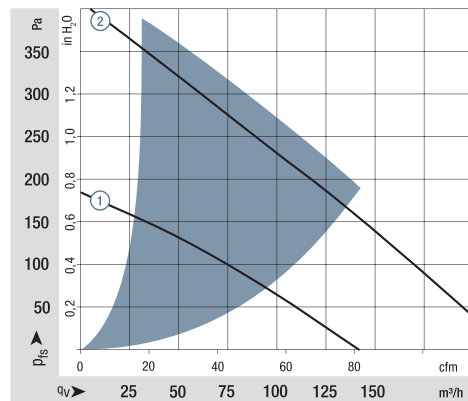
1) Fiberglass-reinforced plastic

Series RG 160 N  
VCS0160XULCS

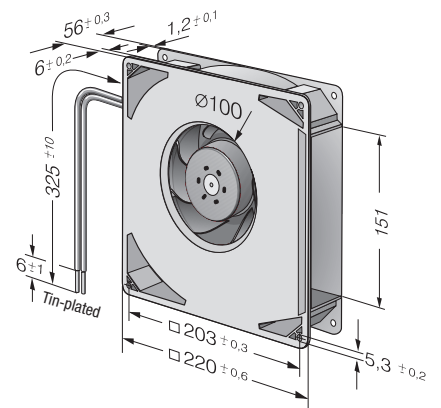
**Nominal data**

Type	Air flow		Nominal voltage	Voltage range		Sound power level	Sintec sleeve bearings Ball bearings	Power consumption	Nominal speed	Temperature range	Service life L <sub>10</sub> (40 °C) ebm-papst standard	Service life L <sub>10</sub> (T <sub>max</sub> ) ebm-papst standard	Life expectancy L <sub>10</sub> IPC (40 °C) see page 15	Curve
	m <sup>3</sup> /h	cfm		VDC	VDC									
RG 160-28/12 N	209	123	12	7.5...14	6.6	■	21.0	2 850	-20...+70	70 000 / 35 000	117 500	②		
RG 160-28/14 NM	139	81	24	12...28	5.6	■	7.0	1 900	-20...+70	80 000 / 40 000	135 000	①		
RG 160-28/14 N	209	123	24	12...28	6.6	■	20.0	2 850	-20...+70	70 000 / 35 000	117 500	②		
RG 160-28/18 N	209	123	48	28...60	6.6	■	20.0	2 850	-20...+70	70 000 / 35 000	117 500	②		

Subject to change



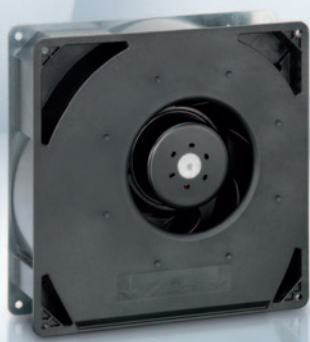
Air performance measured according to: ISO 5801.  
Installation category A, without contact protection.  
Noise: Total sound power level L<sub>WA</sub> ISO 10302 measured on a hemisphere with a radius of 2 m.  
Sound pressure level L<sub>pA</sub> measured at 1 m distance from fan axis.  
The values given are applicable only under the specified measuring conditions and may differ depending on the installation conditions.  
In the event of deviation from the standard configuration, the parameters must be checked after installation!  
For detailed information see <http://www.ebmpapst.com/general-conditions>



Max. 444 m<sup>3</sup>/h

# DC centrifugal fans

□ 220 x 56 mm



- **Material:** Scroll housing: GRP<sup>1)</sup>  
Impeller: GRP<sup>1)</sup>  
Base plate: Sheet steel
- **Direction of air flow:** Axial: Intake,  
Centrifugal: Exhaust
- **Connection:** Via single wires AWG 22, TR 64  
48 V model: Flat plug  
6.3 x 0.8 mm for ground conductor
- **Highlights:** Smoothly operating 3-phase fan drive  
Backward-curved impeller
- **Weight:** 1.4 kg

- **Possible special versions:**  
(See chapter DC fans - specials)
  - Speed signal
  - Go / NoGo alarm
  - Alarm with speed limit
  - External temperature sensor
  - Internal temperature sensor
  - PWM control input
  - Analog control input
  - Humidity protection
  - Degree of protection: IP 54

1) Fiberglass-reinforced plastic

Series RG 160 NTD  
VCS0160YULCS

**Nominal data**

Type	Air flow		Nominal voltage		Voltage range	Sound power level	Sintec sleeve bearings Ball bearings	Power consumption	Nominal speed	Temperature range	Service life L <sub>10</sub> (40 °C) ebm-papst standard	Service life L <sub>10</sub> (T <sub>max</sub> ) ebm-papst standard	Life expectancy L <sub>10</sub> (IPC (40 °C) see page 15	Curve
	m <sup>3</sup> /h	cfm	VDC	VDC										
Min. Max. RG 160-28/14 NTD...	59	34.7	24	16...28	—	7.5	■	2.0	800	-20...+60	55 000 / 35 000	92 500	①	
	308	181												
RG 160-28/14 NTD	308	181	24	16...28	7.5	■	64	4 200	-20...+60	55 000 / 35 000	92 500	②		
RG 160-28/14 NTDH	370	218	24	16...28	7.8	■	101	5 000	-20...+60	50 000 / 32 500	85 000	③		
Min. Max. RG 160-28/18 NTD...	59	34.7	48	38...57	—	7.5	■	2.0	800	-20...+70	55 000 / 27 500	92 500	①	
	308	181												
RG 160-28/18 N/2 TDHHP*	444	261	48	36...60	8.5	■	159	6 000	-20...+65	40 000 / 22 500	67 500	④		

Subject to change

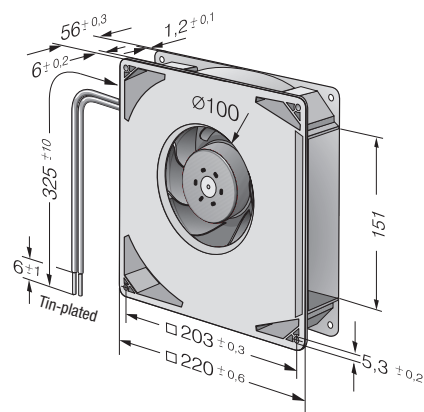
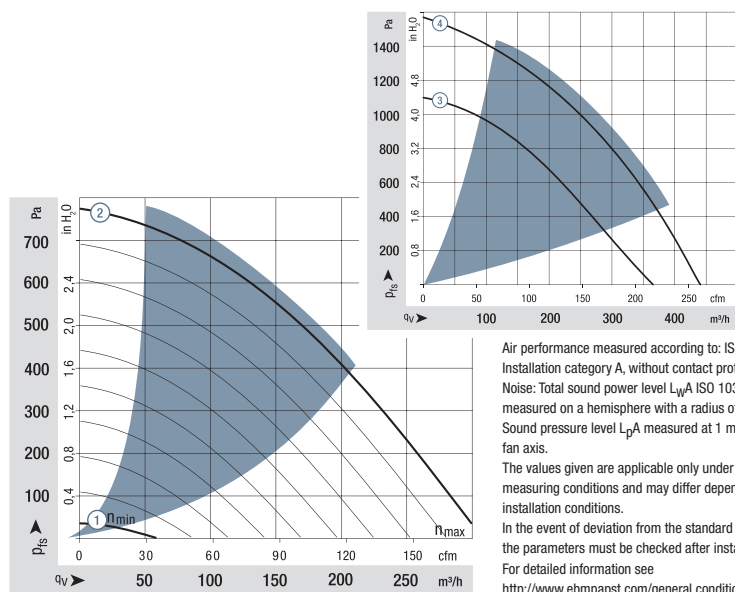
Models RG 160-28/14 NTD... and RG 160-28/18 NTD... are available in customer-specific, custom-developed variants only.

The figures indicated are technically feasible benchmark values.

The fans can be specially adapted to your application with signal outputs and control inputs.

\*The specific service life is valid when an external capacitor is wired between the positive and negative wires.

Please note the wiring suggestion.

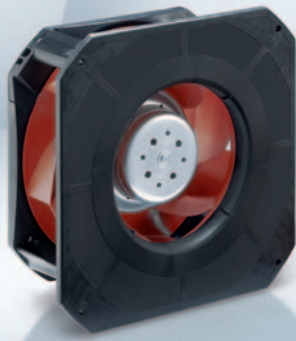




Max. 930 m<sup>3</sup>/h  
**S-Force**

# DC centrifugal fans – RadiCal

□ 226 x 85 mm



- **Material:** Scroll housing: GRP<sup>1)</sup>  
Impeller: GRP<sup>1)</sup>
  - **Direction of air flow:** Axial: Intake,  
Centrifugal: Exhaust
  - **Direction of rotation:** Clockwise, looking towards rotor
  - **Connection:** via single wires AWG 18, 20 or  
AWG 22, TR 64. Speed signal  
and control input AWG 22
  - **Highlights:** Highly efficient and smoothly  
operating 3-phase fan drive  
Backward-curved RadiCal  
impeller
  - **Weight:** 1210 g
- **Possible special versions:**  
(See chapter DC fans - specials)
    - Speed signal
    - Go / NoGo alarm
    - Alarm with speed limit
    - External temperature sensor
    - Internal temperature sensor
    - PWM control input
    - Analog control input
    - Multi-option control input
    - Moisture protection
    - Salt spray protection
    - Degree of protection: IP 54

1) Fiberglass-reinforced plastic

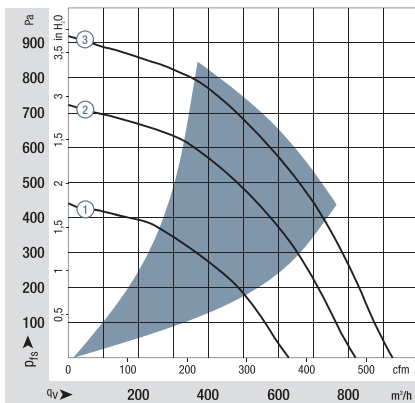
Series RG 190 TD  
VCS0190RULDS

Nominal data

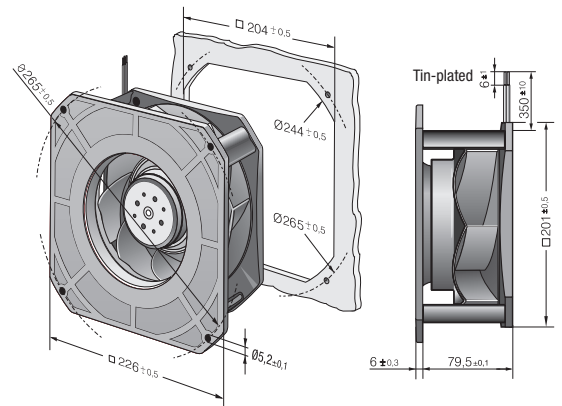
Type	Air flow		Nominal voltage	Voltage range		Sound power level	Sintec sleeve bearings Ball bearings	Power consumption	Nominal speed	Temperature range	Service life L <sub>10</sub> (40 °C) ebm-papst standard	Service life L <sub>10</sub> (T <sub>max</sub> ) ebm-papst standard	Life expectancy L <sub>10</sub> IPC (40 °C) see page 15	Curve
	m <sup>3</sup> /h	cfm		VDC	VDC									
RG 190-39/14/2 TDML0	630	371	24	16...30	7.3	■	55	3 000	-20...+60	55 000 / 35 000	92 500	①		
RG 190-39/14/2 TDM0	820	482	24	16...36	7.9	■	113	3 900	-20...+65	52 500 / 30 000	87 500	②		
RG 190-39/18/2 TDML0	630	371	48	36...57	7.3	■	58	3 000	-20...+60	55 000 / 35 000	92 500	①		
RG 190-39/18/2 TDM0	820	482	48	36...72	7.9	■	113	3 900	-20...+65	52 500 / 30 000	87 500	②		
RG 190-39/18/2 TD0	930	547	48	36...72	8.3	■	140	4 400	-20...+65	40 000 / 22 500	67 500	③		

Subject to change

Speed control range from 800 rpm<sup>-1</sup> at 7 % PWM up to nominal speed at > 90 % PWM. Standstill at 0 % PWM, Standstill if control cable is interrupted.



Air performance measured according to: ISO 5801.  
Installation category A, without contact protection.  
Noise: Total sound power level L<sub>WA</sub> ISO 10302  
measured on a hemisphere with a radius of 2 m.  
Sound pressure level L<sub>pA</sub> measured at 1 m distance  
from fan axis.  
The values given are applicable only under the specified  
measuring conditions and may differ depending on the  
installation conditions.  
In the event of deviation from the standard configuration,  
the parameters must be checked after installation!  
For detailed information see  
<http://www.ebmpapst.com/general conditions>



Max. 1100 m<sup>3</sup>/h  
**S-Force**

## DC centrifugal fans – RadiCal

□ 270 x 99 mm



- **Material:** Scroll housing: GRP<sup>1)</sup>  
Impeller: GRP<sup>1)</sup>
- **Direction of air flow:** Axial: Intake,  
Centrifugal: Exhaust
- **Direction of rotation:** Clockwise,  
looking towards rotor
- **Connection:** via single wires AWG 18, 20 or  
AWG 22, TR 64. Speed signal  
and control input AWG 22
- **Highlights:** Highly efficient and smoothly  
operating 3-phase fan drive  
Backward-curved impeller
- **Weight:** 1560 g

- **Possible special versions:**  
(See chapter DC fans - specials)
  - Speed signal
  - Go / NoGo alarm
  - Alarm with speed limit
  - External temperature sensor
  - Internal temperature sensor
  - PWM control input
  - Analog control input
  - Humidity protection
  - Salt spray protection
  - Degree of protection: IP 54

1) Fiberglass-reinforced plastic

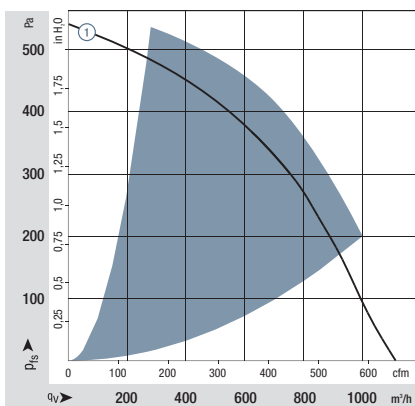
Series RG 220 TD  
VCS0220RULDS

### Nominal data

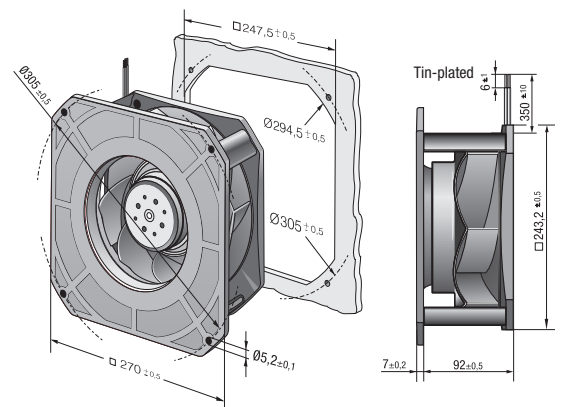
Type	Air flow		Nominal voltage	Voltage range		Sound power level	Sinter sleeve bearings Ball bearings	Power consumption	Nominal speed	Temperature range	Service life L <sub>10</sub> (40 °C) ebm-papst standard	Service life L <sub>10</sub> (T max) ebm-papst standard	Life expectancy L <sub>10</sub> (IPC (40 °C) see page 15	Curve
	m <sup>3</sup> /h	cfm		VDC	VDC									
RG 220-43/14/2 TDMO	1100	647	24	16...36	7.5	■	101	3 000	-20...+55	55 000 / 40 000	92 500	①		
RG 220-43/18/2 TDMO*	1100	647	48	36...72	7.5	■	101	3 000	-20...+55	55 000 / 40 000	92 500	①		

Subject to change  
\* On request

Speed control range from 800 rpm<sup>-1</sup> at 7 % PWM up to nominal speed at > 90 % PWM.  
Standstill at 0 % PWM, Standstill if control cable is interrupted.  
Further types available on request.



Air performance measured according to: ISO 5801.  
Installation category A, without contact protection.  
Noise: Total sound power level L<sub>WA</sub> ISO 10302  
measured on a hemisphere with a radius of 2 m.  
Sound pressure level L<sub>pA</sub> measured at 1 m distance  
from fan axis.  
The values given are applicable only under the specified  
measuring conditions and may differ depending on the  
installation conditions.  
In the event of deviation from the standard configuration,  
the parameters must be checked after installation!  
For detailed information see  
[http://www.ebmpapst.com/general\\_conditions](http://www.ebmpapst.com/general_conditions)



Max. 1450 m<sup>3</sup>/h  
**S-Force**

# DC centrifugal fans – RadiCal

□ 270 x 119 mm



- **Material:** Scroll housing: GRP<sup>1)</sup>  
Impeller: GRP<sup>1)</sup>
  - **Direction of air flow:** Axial: Intake, Centrifugal: Exhaust
  - **Direction of rotation:** Clockwise, looking towards rotor
  - **Connection:** via single wires AWG 18, 20 or AWG 22, TR 64. Speed signal and control input AWG 22
  - **Highlights:** Highly efficient and smoothly operating 3-phase fan drive  
Backward-curved RadiCal impeller
  - **Weight:** 1750 g
- **Possible special versions:** (See chapter DC fans - specials)
    - Speed signal
    - Go / NoGo alarm
    - Alarm with speed limit
    - External temperature sensor
    - Internal temperature sensor
    - PWM control input
    - Analog control input
    - Humidity protection
    - Salt spray protection
    - Degree of protection: IP 54

1) Fiberglass-reinforced plastic

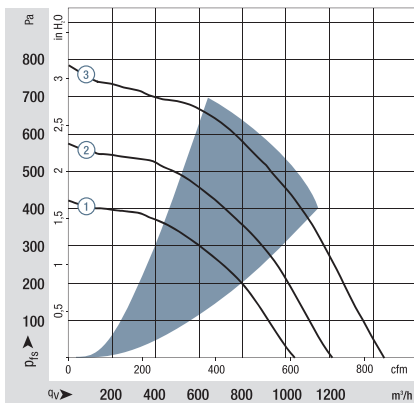
Series RG 225 TD  
VCS0225RULDS

**Nominal data**

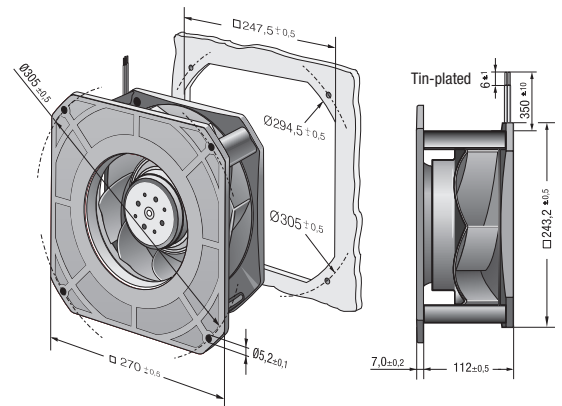
Type	Air flow		Nominal voltage	Voltage range		Sound power level	Sinter sleeve bearings Ball bearings	Power consumption	Nominal speed	Temperature range	Service life L <sub>10</sub> (40 °C) ebm-papst standard	Service life L <sub>10</sub> (T <sub>max</sub> ) ebm-papst standard	Life expectancy L <sub>10</sub> IPC (40 °C) see page 15	Curve
	m <sup>3</sup> /h	cfm		VDC	VDC									
RG 225-55/14/2 TDML0	1090	641	24	16...36	7.4	■	80	2 500	-20...+65	52 500 / 30 000	87 500	①		
RG 225-55/18/2 TDM0	1210	712	48	36...72	7.9	■	116	2 800	-20...+55	55 000 / 40 000	92 500	②		
RG 225-55/18/2 TDO	1450	853	48	36...60	8.1	■	192	3 300	-20...+40	30 000 / 30 000	50 000	③		

Subject to change

Speed control range from 800 rpm<sup>-1</sup> at 7 % PWM up to nominal speed at > 90 % PWM. Standstill at 0 % PWM, Standstill if control cable is interrupted.  
The specific service life is valid when an external capacitor is wired between the positive and negative wires.  
Please note the wiring suggestion.



Air performance measured according to: ISO 5801.  
Installation category A, without contact protection.  
Noise: Total sound power level L<sub>WA</sub> ISO 10302 measured on a hemisphere with a radius of 2 m.  
Sound pressure level L<sub>pA</sub> measured at 1 m distance from fan axis.  
The values given are applicable only under the specified measuring conditions and may differ depending on the installation conditions.  
In the event of deviation from the standard configuration, the parameters must be checked after installation!  
For detailed information see <http://www.ebmpapst.com/general conditions>



Max. 94 m<sup>3</sup>/h  
**S-Force**

## DC centrifugal fans

Ø 85 x 68 mm

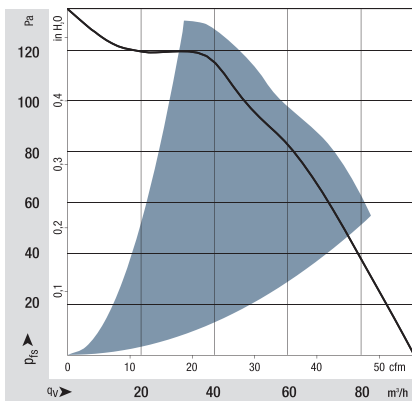


- **Material:** Impeller: Galvanized sheet steel
  - **Direction of air flow:** Axial: Intake, Centrifugal: Exhaust
  - **Direction of rotation:** Clockwise, looking towards rotor
  - **Connection:** via single wires AWG 18, 20 or AWG 22, TR 64.
  - **Highlights:** 3-phase fan drive with special commutation electronic for extremely low-noise operation  
Forwards-curved impeller  
Fan requires a scroll housing
  - **Weight:** 450 g
- **Possible special versions:** (See chapter DC fans - specials)
    - Speed signal
    - Go / No-go alarm
    - Alarm with limit speed
    - External temperature sensor
    - PWM control input
    - Analogue control input
    - Multi-option control input (O)
    - Protection against moisture

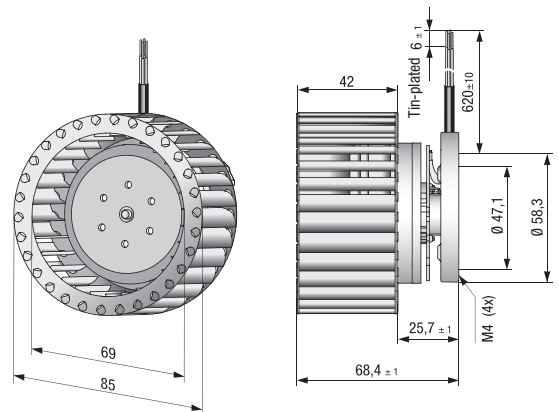
Series RET 85 TD VFS0085XUJCS		Air flow		Nominal voltage	Voltage range	Sound power level	Sinter sleeve bearings Ball bearings	Power consumption	Nominal speed	Temperature range	Service life L <sub>10</sub> (40 °C) ebm-papst standard	Service life L <sub>10</sub> (T <sub>max</sub> ) ebm-papst standard	Life expectancy L <sub>10</sub> IPC (40 °C) see page 15	Curve
Type	m <sup>3</sup> /h	cfm	VDC	VDC	Bel(A)	□ / ■	Watts	rpm <sup>-1</sup>	°C	Hours	Hours	Hours	①	
RET 85-42/14/2 TDLOR-402	94	55	24	20...28	5.6	■	11.3	2 850	-20...+60	62 500 / 40 000	105 000			

Subject to change

All nominal data were measured in the scroll housing.



Air performance measured according to: ISO 5801.  
Installation category A, without contact protection.  
Noise: Total sound power level L<sub>WA</sub> ISO 10302 measured on a hemisphere with a radius of 2 m.  
Sound pressure level L<sub>pA</sub> measured at 1 m distance from fan axis.  
The values given are applicable only under the specified measuring conditions and may differ depending on the installation conditions.  
In the event of deviation from the standard configuration, the parameters must be checked after installation!  
For detailed information see  
<http://www.ebmpapst.com/general conditions>



Max. 220 m<sup>3</sup>/h  
**S-Force**

## DC centrifugal fans

Ø 97 x 41 mm



- **Material:** Impeller: Galvanized sheet steel
  - **Direction of air flow:** Axial: Intake, Centrifugal: Exhaust
  - **Direction of rotation:** Clockwise, looking towards rotor
  - **Connection:** via single wires AWG 18, 20 or AWG 22, TR 64. Speed signal and control input AWG 22
  - **Highlights:** Highly efficient and smoothly operating 3-phase fan drive Forward-curved impeller Fan requires a scroll housing
  - **Weight:** 430 g
- **Possible special versions:** (See chapter DC fans - specials)
    - Speed signal
    - Go / NoGo alarm
    - Alarm with speed limit
    - External temperature sensor
    - Internal temperature sensor
    - PWM control input
    - Analog control input
    - Moisture protection

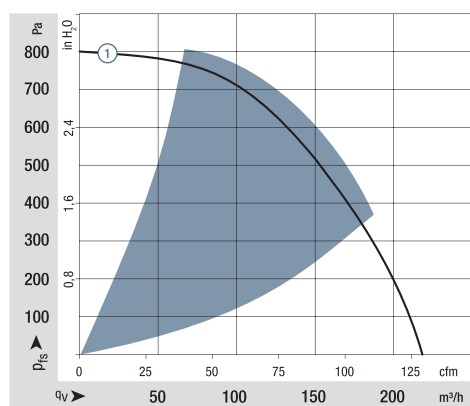
Series RET 97 TD  
VFS0097XUJCS

### Nominal data

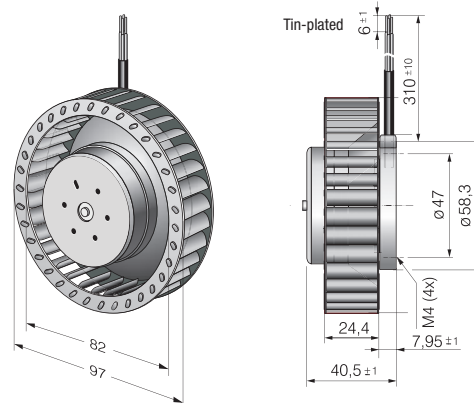
Type	Air flow		Nominal voltage	Voltage range		Sound power level	Sinter sleeve bearings Ball bearings		Power consumption	Nominal speed	Temperature range	Service life L <sub>10</sub> (40 °C) ebm-papst standard	Service life L <sub>10</sub> (T <sub>max</sub> ) ebm-papst standard	Life expectancy L <sub>10</sub> (IPC (40 °C) see page 15	Curve
	m <sup>3</sup> /h	cfm		VDC	VDC		Bel(A)	□ / ■							
RET 97-25/14/2 TDP	220	129	<b>24</b>	16...32	8.1	■	135	6 000	-20...+60	80 000 / 50 000	135 000	①			
RET 97-25/18/2 TDP	220	129	<b>48</b>	36...60	8.1	■	160	6 000	-20...+60	80 000 / 50 000	135 000	①			

Subject to change

Speed control range from 800 rpm<sup>-1</sup> at 7 % PWM up to nominal speed at > 90 % PWM.  
Standstill at 0 % PWM, maximum speed if control cable is interrupted.  
To attain the specified service life, an external capacitor must be wired between the positive and negative wires. Please note the wiring suggestion.  
All nominal data were measured in the scroll housing.



Air performance measured according to: ISO 5801.  
Installation category A, with ebm-papst scroll housing without contact protection.  
Noise: Total sound power level L<sub>WA</sub> ISO 10302 measured on a hemisphere with a radius of 2 m.  
Sound pressure level L<sub>PA</sub> measured at 1 m distance from fan axis.  
The values given are applicable only under the specified measuring conditions and may differ depending on the installation conditions.  
In the event of deviation from the standard configuration, the parameters must be checked after installation!  
For detailed information see <http://www.ebmpapst.com/general conditions>



Max. 104 m<sup>3</sup>/h

# DC centrifugal fans

Ø 104 x 25 mm



- **Material:** Impeller: GRP<sup>1)</sup>
  - **Direction of air flow:** Axial: Intake,  
Centrifugal: Exhaust
  - **Direction of rotation:** Clockwise,  
looking towards rotor
  - **Connection:** via single wires AWG 22, TR 64
  - **Highlights:** Backward-curved impeller
  - **Weight:** 160 g
- **Possible special versions:**  
(See chapter DC fans - specials)
    - Speed signal
    - Go / NoGo alarm
    - Alarm with speed limit
    - External temperature sensor
    - Internal temperature sensor
    - PWM control input
    - Analog control input
    - Moisture protection
    - Degree of protection: IP 54

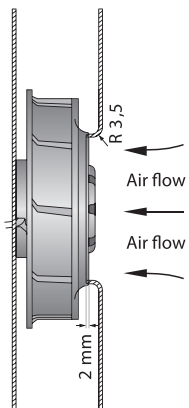
1) Fiberglass-reinforced plastic

Series REF 100  
VBS0104XUGBS

**Nominal data**

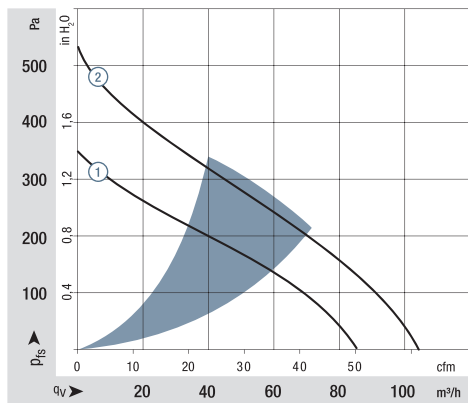
Type	Air flow		Nominal voltage	Voltage range		Sound power level	Sinter sleeve bearings Ball bearings	Power consumption	Nominal speed	Temperature range	Service life L <sub>10</sub> (40 °C) ebm-papst standard	Service life L <sub>10</sub> (T <sub>max</sub> ) ebm-papst standard	Life expectancy L <sub>10</sub> IPC (40 °C) see page 15	Curve
	m <sup>3</sup> /h	cfm		VDC	VDC									
REF 100-11/12	86	50.6	12	8...15	6.3	■	7.5	5 400	-20...+75	80 000 / 30 000	135 000	①		
REF 100-11/14	86	50.6	24	16...30	6.3	■	7.5	5 400	-20...+75	80 000 / 30 000	135 000	①		
REF 100-11/18/2	86	50.6	48	36...60	6.3	■	8.2	5 400	-20...+75	80 000 / 30 000	135 000	①		
REF 100-11/18 H	104	61.2	48	36...56	6.9	■	14.8	6 700	-20...+70	67 500 / 32 500	115 000	②		

Subject to change

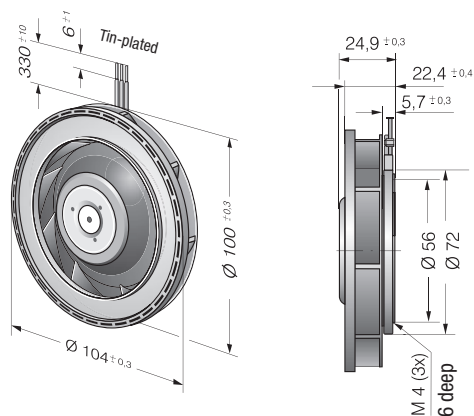


The air flow and sound level of the centrifugal fans without external housing depend on their individual installation conditions.

The stated air flow and sound level were recorded under the following measurement parameters:  
Centrifugal fan mounted on a foundation plate  
127 x 127 mm.  
Cover plate 127 x 127 mm, with an air inlet opening  
Ø 70 mm, arranged concentrically to the impeller.



Air performance measured according to: ISO 5801.  
Installation category A, with ebm-papst inlet ring without contact protection.  
Noise: Total sound power level L<sub>WA</sub> ISO 10302 measured on a hemisphere with a distance of 2 m;  
Sound pressure level L<sub>pA</sub> measured at 1 m distance from fan axis.  
The values given are applicable only under the specified measuring conditions and may differ depending on the installation conditions.  
In the event of deviation from the standard configuration, the parameters must be checked after installation!  
For detailed information see  
<http://www.ebmpapst.com/general-conditions>



Max. 190 m<sup>3</sup>/h

# DC centrifugal fans

Ø 101 x 52 mm



- **Material:** Impeller: GRP<sup>1)</sup>
  - **Direction of air flow:** Axial: Intake, Centrifugal: Exhaust
  - **Direction of rotation:** Clockwise, looking towards rotor
  - **Connection:** via single wires AWG 22, TR 64
  - **Highlights:** Backward-curved impeller
  - **Weight:** 305 g
- **Possible special versions:** (See chapter DC fans - specials)
    - Speed signal
    - Go / NoGo alarm
    - Alarm with speed limit
    - External temperature sensor
    - Internal temperature sensor
    - PWM control input
    - Analog control input
    - Moisture protection

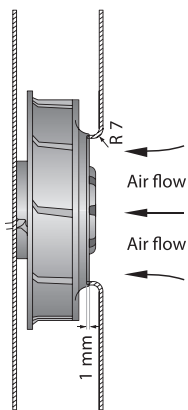
1) Fiberglass-reinforced plastic

Series RER 101 N  
VBS0101XUGDS

### Nominal data

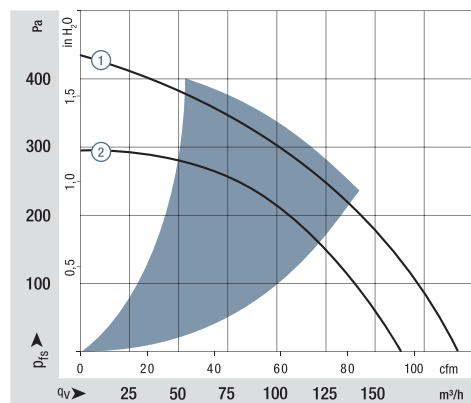
Type	Air flow		Nominal voltage	Voltage range		Sound power level	Sintec sleeve bearings Ball bearings	Power consumption	Nominal speed	Temperature range	Service life L <sub>10</sub> (40 °C) ebm-papst standard	Service life L <sub>10</sub> (T <sub>max</sub> ) ebm-papst standard	Life expectancy L <sub>10</sub> (IPC (40 °C) see page 15	Curve
	m <sup>3</sup> /h	cfm		VDC	VDC									
RER 101-36/12 NH	162	95	12	9...13.6	6.9	■	13.0	5 000	-20...+70	65 000 / 32 500	110 000	②		
RER 101-36/12 NHH	190	112	12	9...13.6	7.2	■	20.5	6 000	-20...+70	60 000 / 30 000	102 500	①		
RER 101-36/14 NHH	190	112	24	18...27.2	7.2	■	22.5	6 050	-20...+70	60 000 / 30 000	102 500	①		
RER 101-36/18 NHH	190	112	48	36...60	7.2	■	19.4	5 850	-20...+70	60 000 / 30 000	102 500	①		

Subject to change

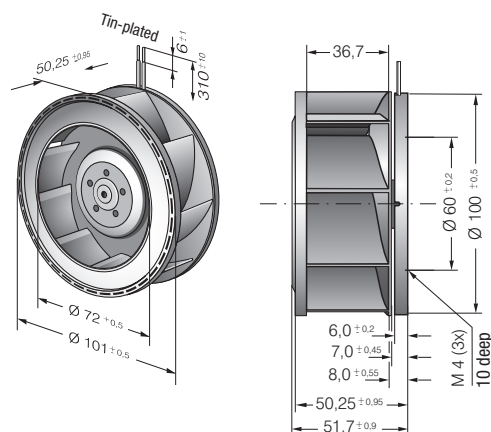


The air flow and sound level of the centrifugal fans without external housing depend on their individual installation conditions.

The stated air flow and sound level were recorded under the following measurement parameters:  
Centrifugal fan mounted on a foundation plate 148 x 148 mm.  
Cover plate 148 x 148 mm, with an air inlet opening Ø 66 mm, arranged concentrically to the impeller.



Air performance measured according to: ISO 5801.  
Installation category A, with ebm-papst inlet ring without contact protection.  
Noise: Total sound power level L<sub>WA</sub> ISO 10302 measured on a hemisphere with a distance of 2 m;  
Sound pressure level L<sub>pA</sub> measured at 1 m distance from fan axis.  
The values given are applicable only under the specified measuring conditions and may differ depending on the installation conditions.  
In the event of deviation from the standard configuration, the parameters must be checked after installation!  
For detailed information see <http://www.ebmpapst.com/general-conditions>



Max. 390 m<sup>3</sup>/h  
**S-Force**

## DC centrifugal fans

Ø 120 x 54 mm



- **Material:** Impeller: GRP<sup>1)</sup>
- **Direction of air flow:** Axial: Intake, Centrifugal: Exhaust
- **Direction of rotation:** Clockwise, looking towards rotor
- **Connection:** via single wires AWG 18, 20 or AWG 22, TR 64. Speed signal and control input AWG 22
- **Highlights:** Highly efficient and smoothly operating 3-phase fan drive Backward-curved impeller
- **Weight:** 430 g

- **Possible special versions:** (See chapter DC fans - specials)
  - Speed signal
  - Go / NoGo alarm
  - Alarm with speed limit
  - External temperature sensor
  - Internal temperature sensor
  - PWM control input
  - Analog control input
  - Moisture protection

1) Fiberglass-reinforced plastic

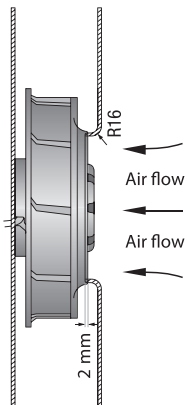
Series RER 120 TD  
VBS0120XUJCS

Nominal data	Air flow		Nominal voltage	Voltage range		Sound power level	Sinter sleeve bearings Ball bearings	Power consumption	Nominal speed	Temperature range	Service life L <sub>10</sub> (40 °C) ebm-papst standard	Service life L <sub>10</sub> (T <sub>max</sub> ) ebm-papst standard	Life expectancy L <sub>10</sub> IPC (40 °C) see page 15	Curve
	m <sup>3</sup> /h	cfm		VDC	VDC									
RER 120-26/14/2 TDP	377	222	24	16...32	8.2	■	78	6 100	-20...+60	55 000 / 35 000	92 500	②		
RER 120-26/18/2 TDMP	320	188	48	36...60	7.8	■	51	5 200	-20...+60	57 500 / 35 000	97 500	①		
RER 120-26/18/2 TDP	390	230	48	36...60	8.3	■	92	6 300	-20...+60	50 000 / 30 000	85 000	③		

Subject to change

Speed control range from 800 rpm<sup>-1</sup> at 7 % PWM up to nominal speed at > 90 % PWM. Standstill at 0 % PWM, maximum speed if control cable is interrupted.

The specific service life is valid when an external capacitor is wired between the positive and negative wires. Please note the wiring suggestion.

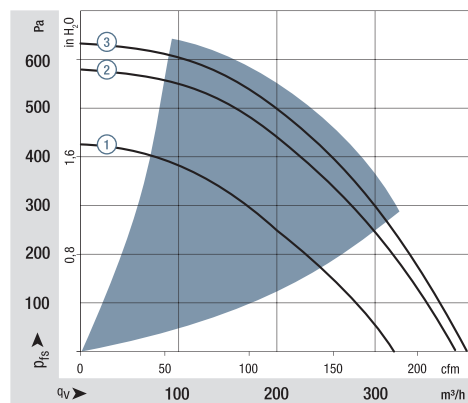


The air flow and sound level of the centrifugal fans without external housing depend on their individual installation conditions.

The stated air flow and sound level were recorded under the following measurement parameters:

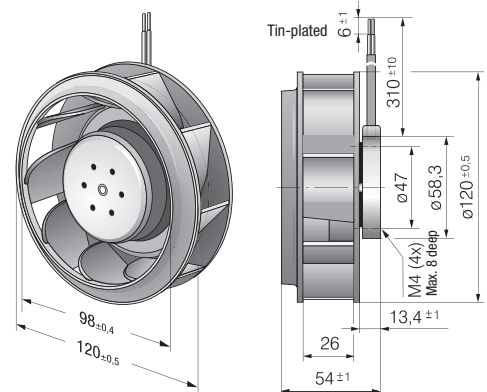
Centrifugal fan mounted on a foundation plate  
142 x 142 mm.

Cover plate 142 x 142 mm, with an air inlet opening  
Ø 94.4 mm, arranged concentrically to the impeller.



Air performance measured according to: ISO 5801.  
Installation category A, with ebm-papst inlet ring without contact protection.  
Noise: Total sound power level L<sub>WA</sub> ISO 10302 measured on a hemisphere with a distance of 2 m;  
Sound pressure level L<sub>PA</sub> measured at 1 m distance from fan axis.

The values given are applicable only under the specified measuring conditions and may differ depending on the installation conditions.  
In the event of deviation from the standard configuration, the parameters must be checked after installation!  
For detailed information see  
<http://www.ebmpapst.com/general conditions>







Max. 250 m<sup>3</sup>/h

# DC centrifugal fans

Ø 120 mm



- **Material:** Impeller: PA 6.6 plastic, fiberglass-reinforced  
Rotor: Galvanized
- **Number of blades:** 9
- **Direction of rotation:** Clockwise, looking towards rotor
- **Degree of protection:** IP 20
- **Insulation class:** "B"
- **Installation position:** Any
- **Condensation drainage holes:** None
- **Mode of operation:** Continuous operation (S1)
- **Bearings:** Maintenance-free ball bearings

VBS0120XUJCS

## Nominal data

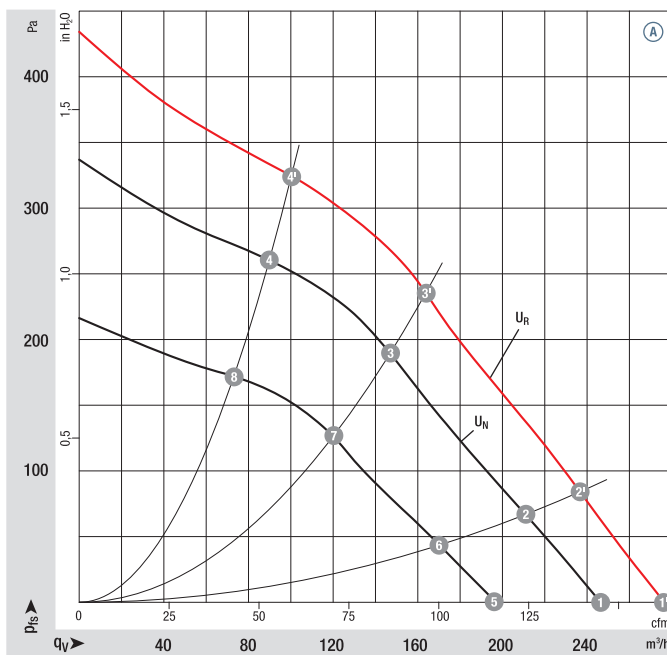
Type	Motor	Curve	Nominal voltage VDC	Nominal voltage range VDC	Air flow m <sup>3</sup> /h	Nominal speed rpm <sup>-1</sup>	Power consumption W	Input current A	Sound pressure level dB(A)	Admissible amb. temp. °C	Technical features and connection diagram
<b>R1G 120</b>	M1G 045-BE	Ⓐ	24	16-28	250	4060	26	1.20	62	-25..+50	p. 274 / G)

Subject to change

### Curves:

U<sub>N</sub> = nominal voltage  
(24 V / 48 V)

U<sub>R</sub> = over-voltage  
(28 V / 57 V)



	n rpm <sup>-1</sup>	P <sub>ed</sub> W	L <sub>pA</sub> dB(A)	η <sub>IL</sub> %
Ⓐ 1'	4520	36	65	—
Ⓐ 2'	4500	36	64	27
Ⓐ 3'	4540	36	61	45
Ⓐ 4'	4750	32	64	39
Ⓐ 1	4060	26	62	—
Ⓐ 2	4000	26	61	27
Ⓐ 3	4050	26	58	45
Ⓐ 4	4200	23	61	39
Ⓐ 5	3270	14	56	—
Ⓐ 6	3250	14	55	27
Ⓐ 7	3280	14	53	45
Ⓐ 8	3400	13	56	39

Air performance measured according to: ISO 5801, Installation category A, with ebm-papst inlet ring without contact protection. Suction-side noise levels: LWA according to ISO 13347, L<sub>pA</sub> measured at 1 m distance from fan axis. The values given are applicable only under the specified measuring conditions and may differ depending on the installation conditions. In the event of deviation from the standard configuration, the parameters must be checked after installation! For detailed information see <http://www.ebmpapst.com/general-conditions>

- **Technical features:** See connection diagram p. 274
- **Cable exit:** Axial
- **Conformity with standard(s):** EN 60950-1
- **Approvals:** EAC



Weight  
centrifugal fans



Centrifugal fans

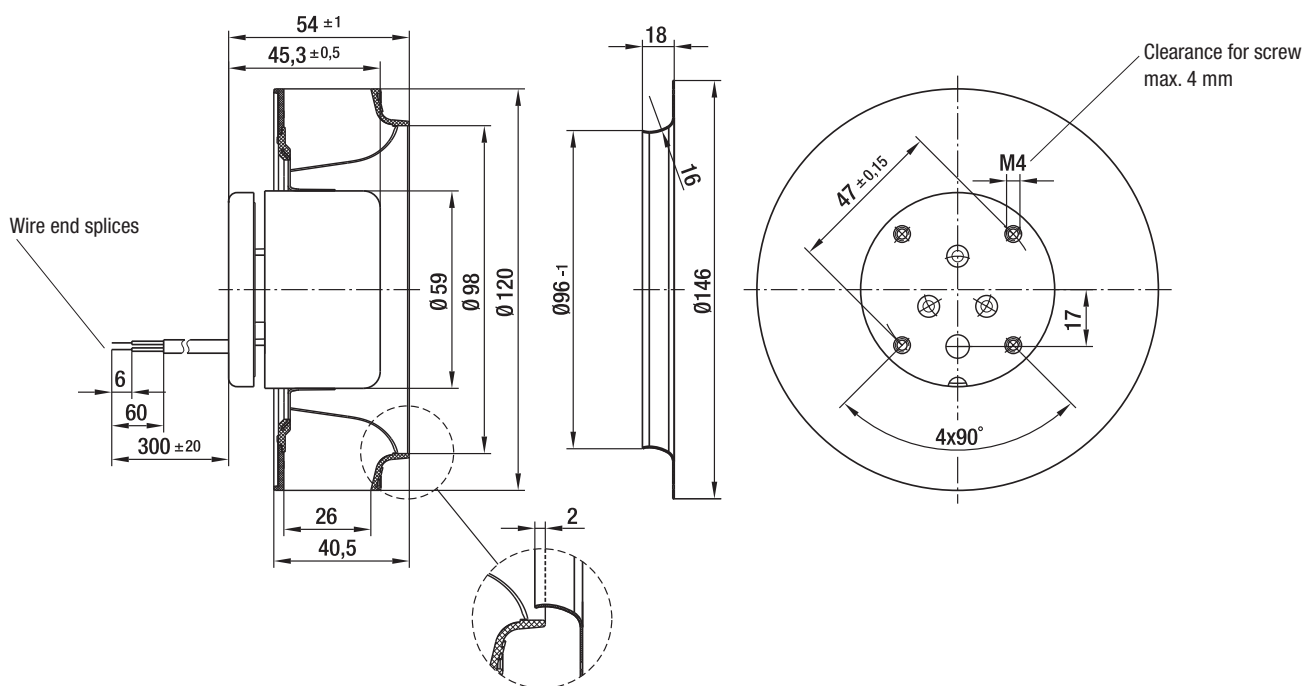
kg

Inlet ring  
(long)

R1G 120-AD13 -02

0.5

96120-2-4013



Max. 166 m<sup>3</sup>/h

# DC centrifugal fans

Ø 138 x 35 mm



- **Material:** Impeller: GRP<sup>1)</sup>
  - **Direction of air flow:** Axial: Intake, Centrifugal: Exhaust
  - **Direction of rotation:** Clockwise, looking towards rotor
  - **Connection:** via single wires AWG 22, TR 64
  - **Highlights:** Backward-curved impeller
  - **Weight:** 320 g
- **Possible special versions:** (See chapter DC fans - specials)
    - Speed signal
    - Go / NoGo alarm
    - Alarm with speed limit
    - External temperature sensor
    - Internal temperature sensor
    - PWM control input
    - Analog control input
    - Moisture protection
    - Salt spray protection
    - Degree of protection: IP 54 / IP 68

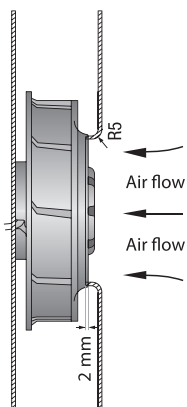
1) Fiberglass-reinforced plastic

Series RER 125 N  
VBS0125XUJBS

### Nominal data

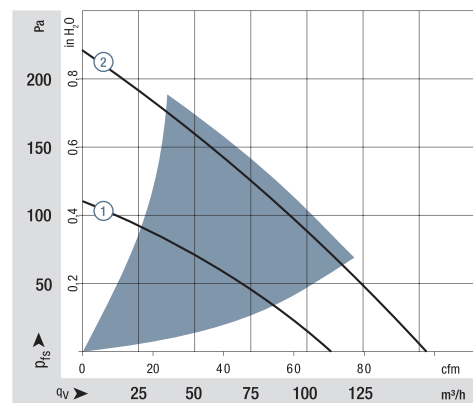
Type	Air flow		Nominal voltage	Voltage range		Sound power level	Sinter sleeve bearings Ball bearings		Power consumption	Nominal speed	Temperature range	Service life L <sub>10</sub> (40 °C)		Life expectancy L <sub>10</sub> (IPC (40 °C) see page 15	Curve
	m <sup>3</sup> /h	cfm		VDC	VDC		Bel(A)	■ / ■				Watts	rpm <sup>-1</sup>		
RER 125-19/12 N	110	64.7	12	7...15	5.7	■	4.6	2 650	-30...+75	62 500 / 27 500	105 000	①			
RER 125-19/14 N	110	64.7	24	12...28	5.7	■	4.3	2 650	-30...+75	62 500 / 27 500	105 000	①			
RER 125-19/14 NH-172	166	97.7	24	12...28	7.0	■	13.0	4 000	-20...+70	55 000 / 27 500	92 500	②			
RER 125-19/18 N	110	64.7	48	36...56	5.7	■	4.2	2 650	-30...+75	62 500 / 27 500	105 000	①			

Subject to change



The air flow and sound level of the centrifugal fans without external housing depend on their individual installation conditions.

The stated air flow and sound level were recorded under the following measurement parameters:  
Centrifugal fan mounted on a foundation plate 220 x 220 mm.  
Cover plate 220 x 220 mm, with an air inlet opening Ø 86 mm, arranged concentrically to the impeller.

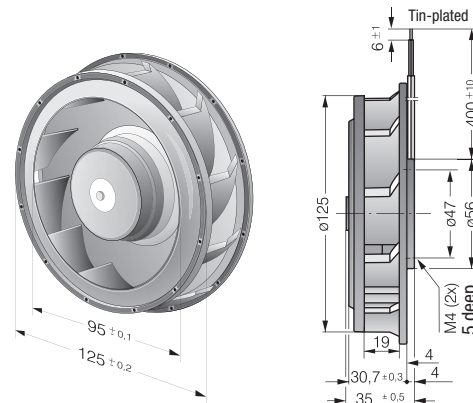


Air performance measured according to: ISO 5801.  
Installation category A, with ebm-papst inlet ring without contact protection.

Noise: Total sound power level L<sub>WA</sub> ISO 10302 measured on a hemisphere with a distance of 2 m;  
Sound pressure level L<sub>PA</sub> measured at 1 m distance from fan axis.

The values given are applicable only under the specified measuring conditions and may differ depending on the installation conditions.  
In the event of deviation from the standard configuration, the parameters must be checked after installation!

For detailed information see <http://www.ebmpapst.com/general-conditions>



Max. 565 m<sup>3</sup>/h  
**S-Force**

# DC centrifugal fans

Ø 133 x 91 mm



- **Material:** Impeller: GRP<sup>1)</sup>
  - **Direction of air flow:** Axial: Intake, Centrifugal: Exhaust
  - **Direction of rotation:** Clockwise, looking towards rotor
  - **Connection:** via single wires AWG 18, 20 or AWG 22, TR 64. Speed signal and control input AWG 22
  - **Highlights:** Highly efficient and smoothly operating 3-phase fan drive Backward-curved impeller
  - **Weight:** 890 g  
460 g RadiCal
- **Possible special versions:** (See chapter DC fans - specials)
    - Speed signal
    - Go / NoGo alarm
    - Alarm with speed limit
    - External temperature sensor
    - Internal temperature sensor
    - PWM control input
    - Analog control input
    - Multi-option control input
    - Moisture protection
    - Salt spray protection
    - Degree of protection: IP 54

1) Fiberglass-reinforced plastic

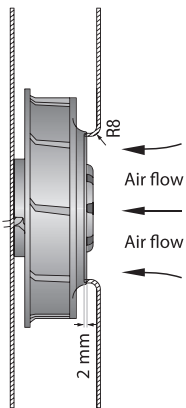
Series RER 133 TD  
VBS0133XULDS  
VBS0133RUJCS

### Nominal data

Type	Air flow		Nominal voltage	Voltage range		Sound power level	Sinter sleeve bearings Ball bearings	Power consumption	Nominal speed	Temperature range	Service life L <sub>10</sub> (40 °C) ebm-papst standard	Service life L <sub>10</sub> (T <sub>max</sub> ) ebm-papst standard	Life expectancy L <sub>10</sub> IPC (40 °C) see page 15	Curve
	m <sup>3</sup> /h	cfm		VDC	VDC									
RER 133-41/14/2 TDMP	460	271	24	16...30	7.8	■	58	5 000	-20...+65	72 500 / 40 000	122 500	①		
RER 133-41/14/2 TDP	565	332	24	16...36	8.2	■	90	6 000	-20...+65	70 000 / 37 500	117 500	②		
RER 133-41/18/2 TDP	565	332	48	36...72	8.2	■	87	6 000	-20...+65	70 000 / 37 500	117 500	②		
RadiCal RER 133-33/18/2 TDMO	395	232	48	36...60	7.7	■	62	5 600	-20...+65	55 000 / 30 000	92 500	③		

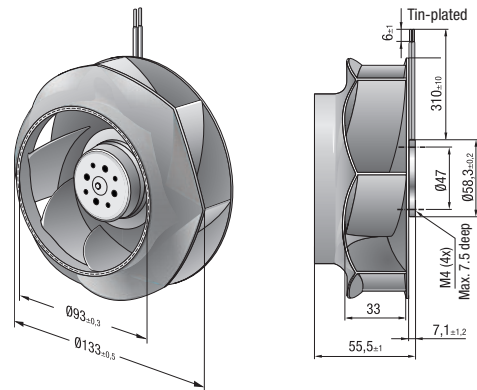
Subject to change

Speed control range from 800 rpm<sup>-1</sup> at 7 % PWM up to nominal speed at > 90 % PWM.  
Standstill at 0 % PWM, maximum speed if control cable is interrupted.

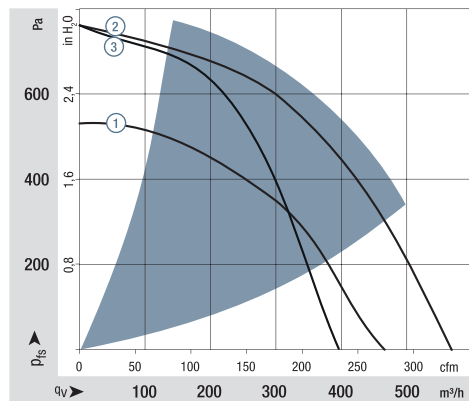
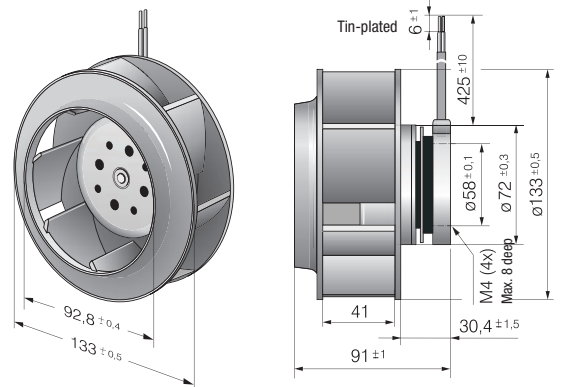


The air flow and sound level of the centrifugal fans without external housing depend on their individual installation conditions.  
The stated air flow and sound level were recorded under the following measurement parameters:  
Centrifugal fan mounted on a foundation plate 157 x 157 mm.  
Cover plate 157 x 157 mm, with an air inlet opening Ø 87 mm, arranged concentrically to the impeller.

### RER 133 TD RadiCal



### RER 133 TD

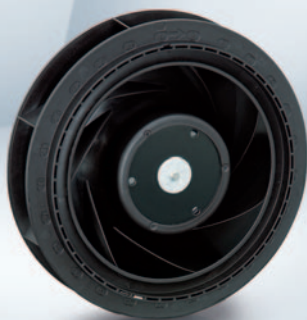


Air performance measured according to: ISO 5801. Installation category A, with ebm-papst inlet ring without contact protection.  
Noise: Total sound power level L<sub>WA</sub> ISO 10302 measured on a hemisphere with a distance of 2 m;  
Sound pressure level L<sub>PA</sub> measured at 1 m distance from fan axis.  
The values given are applicable only under the specified measuring conditions and may differ depending on the installation conditions.  
In the event of deviation from the standard configuration, the parameters must be checked after installation!  
For detailed information see <http://www.ebmpapst.com/general conditions>

max. 225 m<sup>3</sup>/h

# DC centrifugal fans

Ø 140 x 36 mm



- **Material:** Impeller: GRP<sup>1)</sup>
  - **Direction of air flow:** Axial: Intake  
Centrifugal: Exhaust
  - **Direction of rotation:** Clockwise, seen on rotor
  - **Connection:** Via single wires AWG 22, TR 64
  - **Highlights:** Backwards-curved impeller  
3-phase fan drive with special commutation electronic for extremely low-noise operation
  - **Mass:** 360 g
- **Possible special versions:**
    - Go / No-go alarm
    - Alarm with limit speed
    - External temperature sensor
    - Analogue control input
    - Multi-option control input
    - Protection against moisture
    - Protection against salt fog
    - Type of protection: IP 54

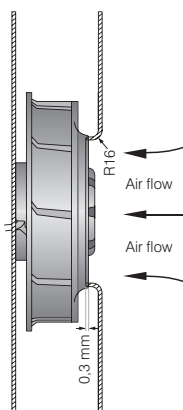
1) Fibreglass-reinforced plastic

Series RER 140 TD  
VBS0140XUJCS

## Nominal data

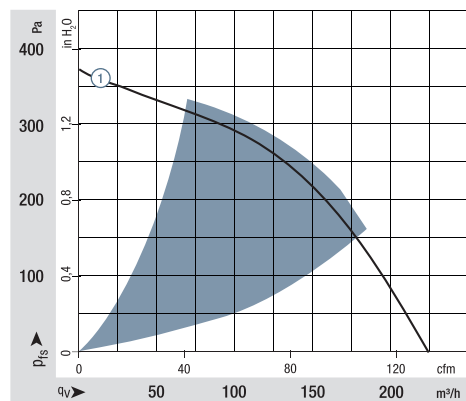
Type	Air flow		Nominal voltage	Voltage range		Sound power level	Sintec sleeve bearings Ball bearings		Power consumption	Nominal speed	Temperature range	Service life L <sub>10</sub> (40 °C) ebm-papst standard	Service life L <sub>10</sub> (T <sub>max</sub> ) ebm-papst standard	Life expectancy L <sub>10</sub> (IPC (40 °C) see page 15	Curve
	m <sup>3</sup> /h	cfm		VDC	VDC		Bel(A)	□ / ■							
RER 140-22/14 N/2TDP	225	132	24	20...28	6.9	■	34	3 850	-20...+65	55 000 / 30 000	92 500	①			

Subject to change



The air flow and sound level of the centrifugal fans without external housing depend on their individual installation conditions.

The stated air flow and sound level were recorded under the following measurement parameters:  
Centrifugal fan mounted on a foundation plate 166 x 166 mm.  
Cover plate 166 x 166 mm, with an air inlet opening Ø 94.4 mm, arranged concentrically to the impeller.

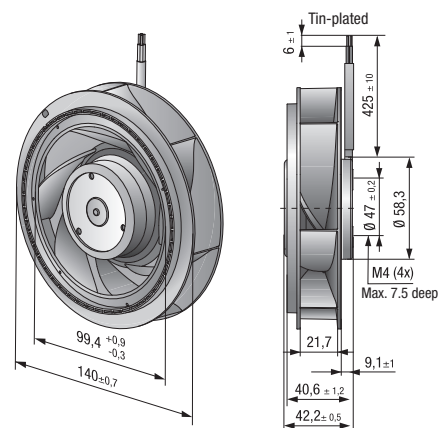


Air performance measured according to: ISO 5801.  
Installation category A, with ebm-papst inlet ring without contact protection.

Noise: Total sound power level L<sub>WA</sub> ISO 10302 measured on a hemisphere with a distance of 2 m;  
Sound pressure level L<sub>PA</sub> measured at 1 m distance from fan axis.

The values given are applicable only under the specified measuring conditions and may differ depending on the installation conditions.  
In the event of deviation from the standard configuration, the parameters must be checked after installation!

For detailed information see <http://www.ebmpapst.com/general conditions>



Max. 255 m<sup>3</sup>/h

# DC centrifugal fans

Ø 165 x 51 mm



- **Material:** Impeller: GRP<sup>1)</sup>
  - **Direction of air flow:** Axial: Intake, Centrifugal: Exhaust
  - **Direction of rotation:** Counterclockwise, looking towards rotor
  - **Connection:** via single wires AWG 22, TR 64
  - **Highlights:** Backward-curved impeller
  - **Weight:** 590 g
- **Possible special versions:** (See chapter DC fans - specials)
    - Speed signal
    - Go / NoGo alarm
    - Alarm with speed limit
    - External temperature sensor
    - Internal temperature sensor
    - PWM control input
    - Analog control input
    - Moisture protection
    - Salt spray protection
    - Degree of protection: IP 54

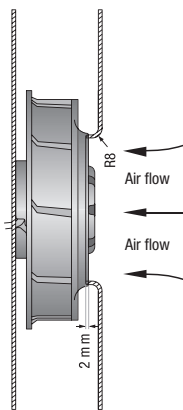
1) Fiberglass-reinforced plastic

Series RER 160 N  
VBS0160XULCS

### Nominal data

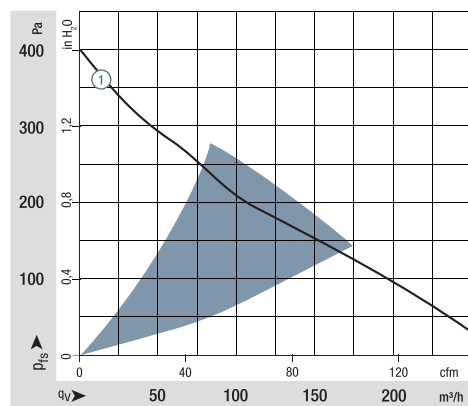
Type	Air flow		Nominal voltage	Voltage range		Sound power level	Sintec sleeve bearings Ball bearings	Power consumption	Nominal speed	Temperature range	Service life L <sub>10</sub> (40 °C) ebm-papst standard	Service life L <sub>10</sub> (T <sub>max</sub> ) ebm-papst standard	Life expectancy L <sub>10</sub> (IPC (40 °C) see page 15	Curve
	m <sup>3</sup> /h	cfm		VDC	VDC									
RER 160-28/12 N	270	158.8	12	7.5...14	6.4	■	19.0	3 000	-20...+70	75 000 / 37 500	127 500	①		
RER 160-28/14 N	270	158.8	24	12...28	6.4	■	19.0	3 000	-20...+70	75 000 / 37 500	127 500	①		
RER 160-28/18 N*	270	158.8	48	28...60	6.4	■	19.0	3 000	-20...+70	75 000 / 37 500	127 500	①		

Subject to change  
\* On request

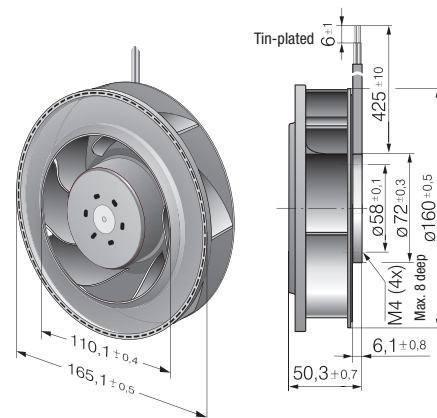


The air flow and sound level of the centrifugal fans without external housing depend on their individual installation conditions.

The stated air flow and sound level were recorded under the following measurement parameters:  
Centrifugal fan mounted on a foundation plate 266 x 266 mm.  
Cover plate 266 x 266 mm, with an air inlet opening Ø 100 mm, arranged concentrically to the impeller.



Air performance measured according to: ISO 5801.  
Installation category A, with ebm-papst inlet ring without contact protection.  
Noise: Total sound power level L<sub>WA</sub> ISO 10302 measured on a hemisphere with a distance of 2 m;  
Sound pressure level L<sub>pA</sub> measured at 1 m distance from fan axis.  
The values given are applicable only under the specified measuring conditions and may differ depending on the installation conditions.  
In the event of deviation from the standard configuration, the parameters must be checked after installation!  
For detailed information see <http://www.ebmpapst.com/general conditions>



Max. 360 m<sup>3</sup>/h  
**S-Force**

## DC centrifugal fans

Ø 165 x 51 mm



- **Material:** Impeller: GRP<sup>1)</sup>
  - **Direction of air flow:** Axial: Intake, Centrifugal: Exhaust
  - **Direction of rotation:** Clockwise, looking towards rotor
  - **Connection:** via single wires AWG 22, TR 64
  - **Highlights:** Highly efficient and smoothly operating 3-phase fan drive  
Backward-curved impeller
  - **Weight:** 590 g
- **Possible special versions:**  
(See chapter DC fans - specials)
    - Speed signal
    - Go / NoGo alarm
    - Alarm with speed limit
    - External temperature sensor
    - Internal temperature sensor
    - PWM control input
    - Analog control input
    - Humidity protection
    - Degree of protection: IP 54

1) Fiberglass-reinforced plastic

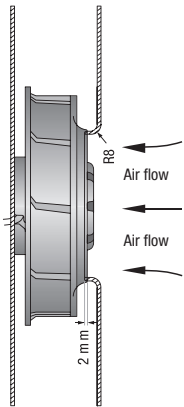
Series RER 160 NTD  
VBS0160XULCS

Nominal data	Air flow		Nominal voltage	Voltage range		Sound power level	Sinter sleeve bearings Ball bearings	Power consumption	Nominal speed	Temperature range	Service life L <sub>10</sub> (40 °C) ebm-papst standard	Service life L <sub>10</sub> (T <sub>max</sub> ) ebm-papst standard	Life expectancy L <sub>10</sub> IPC (40 °C) see page 15	Curve
	m <sup>3</sup> /h	cfm		VDC	VDC									
RER 160-28/14 NTD...	360	211	24	16...28	7.4	■	51	4 200	-20...+60	55 000 / 27 500	92 500	②		
RER 160-28/18 NTD...	360	211	48	38...57	7.4	■	48	4 200	-20...+70	55 000 / 27 500	92 500	①		

Subject to change

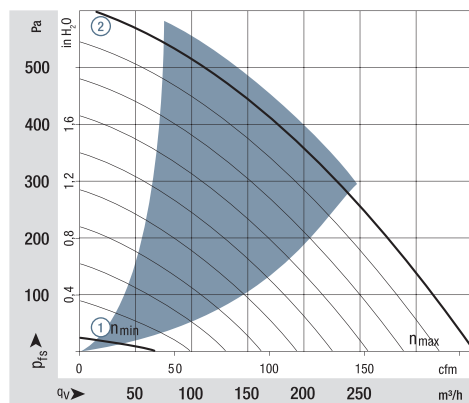
Model RER 160-28/18 NTD... is available in customer-specific, custom-developed variant only.

The figures indicated are technically feasible benchmark values. The fans can be specially adapted to your application with signal outputs and control inputs.

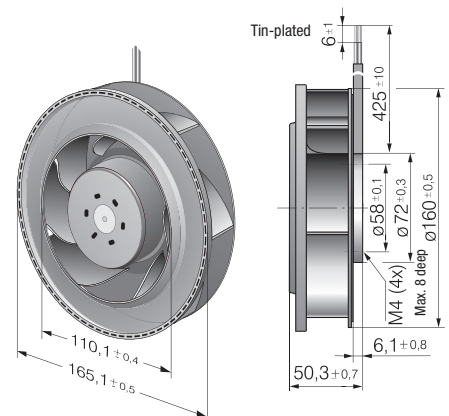


The air flow and sound level of the centrifugal fans without external housing depend on their individual installation conditions.

The stated air flow and sound level were recorded under the following measurement parameters:  
Centrifugal fan mounted on a foundation plate 266 x 266 mm.  
Cover plate 266 x 266 mm, with an air inlet opening Ø 100 mm, arranged concentrically to the impeller.



Air performance measured according to: ISO 5801.  
Installation category A, with ebm-papst inlet ring without contact protection.  
Noise: Total sound power level L<sub>WA</sub> ISO 10302 measured on a hemisphere with a distance of 2 m;  
Sound pressure level L<sub>PA</sub> measured at 1 m distance from fan axis.  
The values given are applicable only under the specified measuring conditions and may differ depending on the installation conditions.  
In the event of deviation from the standard configuration, the parameters must be checked after installation!  
For detailed information see <http://www.ebmpapst.com/general conditions>





Max. 800 m<sup>3</sup>/h  
**S-Force**

## DC centrifugal fans

Ø 175 x 55 mm



- **Material:** Impeller: Galvanized sheet steel
  - **Direction of air flow:** Axial: Intake, Centrifugal: Exhaust
  - **Direction of rotation:** Clockwise, looking towards rotor
  - **Connection:** via single wires AWG 18, 20 or AWG 22, TR 64. Speed signal and control input AWG 22
  - **Highlights:** Highly efficient and smoothly operating 3-phase fan drive Backward-curved impeller
  - **Weight:** 930 g
- **Possible special versions:** (See chapter DC fans - specials)
    - Speed signal
    - Go / NoGo alarm
    - Alarm with speed limit
    - External temperature sensor
    - Internal temperature sensor
    - PWM control input
    - Analog control input
    - Multi-option control input
    - Humidity protection
    - Degree of protection: IP 54

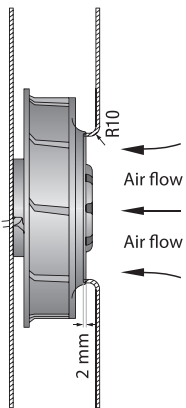
Series RER 175 TD  
VBS0175XULDS

### Nominal data

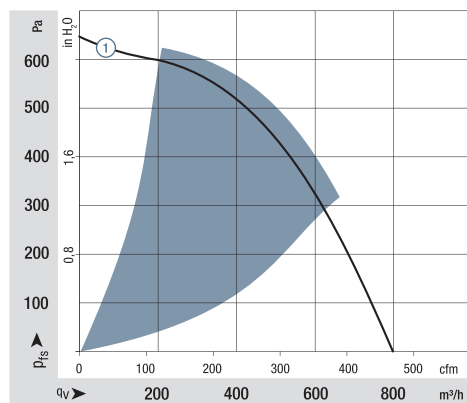
Type	Air flow		Nominal voltage	Voltage range		Sound power level	Sintec sleeve bearings Ball bearings	Power consumption	Nominal speed	Temperature range	Service life L <sub>10</sub> (40 °C) ebm-papst standard	Service life L <sub>10</sub> (T <sub>max</sub> ) ebm-papst standard	Life expectancy L <sub>10</sub> (IPC (40 °C) see page 15	Curve
	m <sup>3</sup> /h	cfm		VDC	VDC									
REF 175-30/18/2 TDP	800	470	48	36 ... 72	8.3	■	154	4 400	-20...+60	65 000 / 37 500	110 000	①		

Subject to change

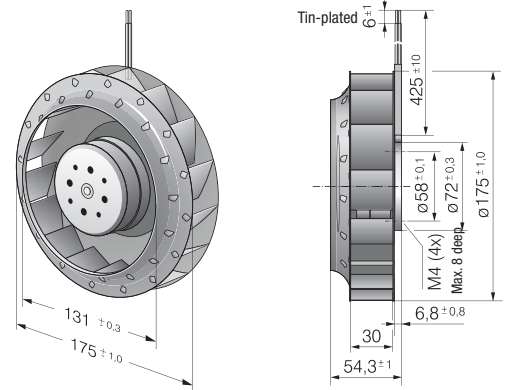
Speed control range from 800 rpm<sup>-1</sup> at 7 % PWM up to nominal speed at > 90 % PWM.  
Standstill at 0 % PWM, maximum speed if control cable is interrupted.



The air flow and sound level of the centrifugal fans without external housing depend on their individual installation conditions. The stated air flow and sound level were recorded under the following measurement parameters:  
Centrifugal fan mounted on a foundation plate 207 x 207 mm.  
Cover plate 207 x 207 mm, with an air inlet opening Ø 125.5 mm, arranged concentrically to the impeller.



Air performance measured according to: ISO 5801.  
Installation category A, with ebm-papst inlet ring without contact protection.  
Noise: Total sound power level L<sub>WA</sub> ISO 10302 measured on a hemisphere with a distance of 2 m;  
Sound pressure level L<sub>PA</sub> measured at 1 m distance from fan axis.  
The values given are applicable only under the specified measuring conditions and may differ depending on the installation conditions.  
In the event of deviation from the standard configuration, the parameters must be checked after installation!  
For detailed information see <http://www.ebmpapst.com/general-conditions>



Max. 980 m<sup>3</sup>/h  
**S-Force**

## DC centrifugal fans

Ø 175 x 69 mm



- **Material:** Impeller: GRP<sup>1)</sup>
  - **Direction of air flow:** Axial: Intake, Centrifugal: Exhaust
  - **Direction of rotation:** Clockwise, looking towards rotor
  - **Connection:** Via single wires AWG 18, 20 or AWG 22, TR 64, speed signal and control input AWG 22
  - **Highlights:** Highly efficient and smoothly operating 3-phase fan drive Backward-curved impeller
  - **Weight:** 775 g
- Possible special versions:**  
(See chapter DC fans - specials)
- Speed signal
  - Go / NoGo alarm
  - Alarm with speed limit
  - External temperature sensor
  - Internal temperature sensor
  - PWM control input
  - Analog control input
  - Multi-option control input
  - Moisture protection
  - Salt spray protection
  - Degree of protection: IP 54

1) Fiberglass-reinforced plastic

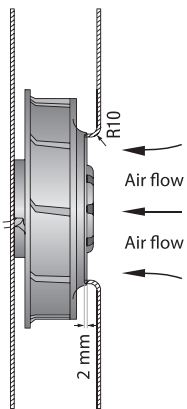
Series RER 175 TD  
VBS0175XULCS  
VBS0175RULDS

### Nominal data

Type	Air flow		Nominal voltage	Voltage range		Sound power level	Sinter sleeve bearings Ball bearings	Power consumption	Nominal speed	Temperature range	Service life L <sub>10</sub> (40 °C) ebm-papst standard	Service life L <sub>10</sub> (T <sub>max</sub> ) ebm-papst standard	Life expectancy L <sub>10</sub> IPC (40 °C) see page 15	Curve
	m <sup>3</sup> /h	cfm		VDC	VDC									
RER 175-42/14/2 TDMLP	600	353	24	16...30	7.3	■	48	3 400	-20...+65	72 500 / 40 000	122 500	①		
RER 175-42/14/2 TDMP	865	509	24	16...36	8.2	■	110	4 800	-20...+65	70 000 / 40 000	117 500	②		
RER 175-42/18/2 TDMLP	600	353	48	36...57	7.3	■	46	3 400	-20...+65	72 500 / 40 000	122 500	①		
RER 175-42/18/2 TDMP	865	509	48	36...72	8.2	■	110	4 800	-20...+65	70 000 / 40 000	117 500	②		
RER 175-42/18/2 TDP	980	577	48	36...72	8.5	■	166	5 400	-20...+65	60 000 / 32 500	102 500	③		
RadiCal RER 175-39/18/2 TDPR-113	948	556	48	36...72	8.4	■	178	5 400	-20...+65	72 500 / 40 000	122 500	④		

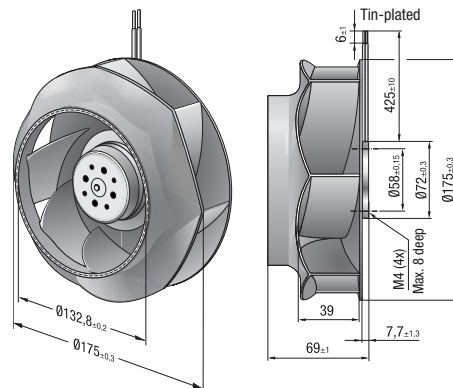
Subject to change

Speed control range from 800 rpm<sup>-1</sup> at 7 % PWM up to nominal speed at > 90 % PWM.  
Standstill at 0 % PWM, maximum speed if control cable is interrupted.

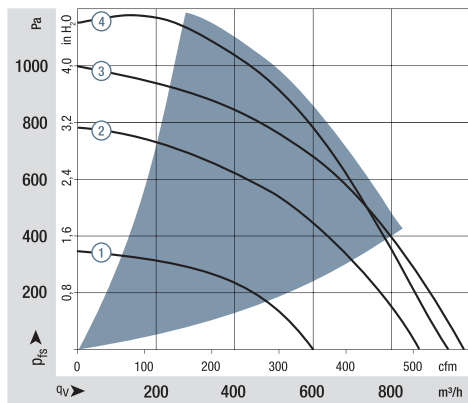
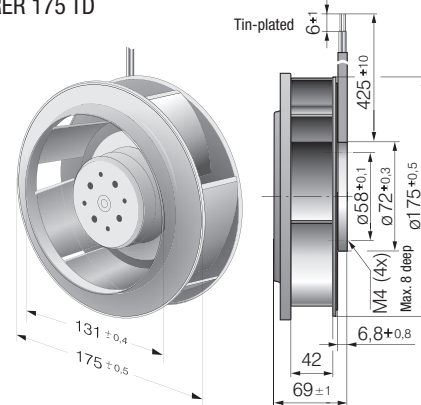


The air flow and sound level of the centrifugal fans without external housing depend on their individual installation conditions.  
The stated air flow and sound level were recorded under the following measurement parameters:  
Centrifugal fan mounted on a foundation plate 207 x 207 mm.  
Cover plate 207 x 207 mm, with an air inlet opening Ø 125.5 mm, arranged concentrically to the impeller.

RadiCal RER 175-39/18/2 TDPR-113



RER 175 TD



Air performance measured according to: ISO 5801.  
Installation category A, with ebm-papst inlet ring without contact protection.  
Noise: Total sound power level L<sub>WA</sub> ISO 10302 measured on a hemisphere with a distance of 2 m;  
Sound pressure level L<sub>pA</sub> measured at 1 m distance from fan axis.  
The values given are applicable only under the specified measuring conditions and may differ depending on the installation conditions.  
In the event of deviation from the standard configuration, the parameters must be checked after installation!  
For detailed information see <http://www.ebmpapst.com/general-conditions>

Max. 970 m<sup>3</sup>/h  
**S-Force**

# DC centrifugal fans – RadiCal

Ø 190 x 69 mm



- **Material:** Impeller: GRP<sup>1)</sup>
  - **Direction of air flow:** Axial: Intake, Centrifugal: Exhaust
  - **Direction of rotation:** Clockwise, looking towards rotor
  - **Connection:** Via single wires AWG 18, 20 or AWG 22, TR 64, speed signal and control input AWG 22
  - **Highlights:** Highly efficient and smoothly operating 3-phase fan drive Backward-curved RadiCal impeller
  - **Weight:** 870 g
- **Possible special versions:** (See chapter DC fans - specials)
    - Speed signal
    - Go / NoGo alarm
    - Alarm with speed limit
    - External temperature sensor
    - Internal temperature sensor
    - PWM control input
    - Analog control input
    - Multi-option control input
    - Moisture protection
    - Salt spray protection
    - Degree of protection: IP 54

1) Fiberglass-reinforced plastic

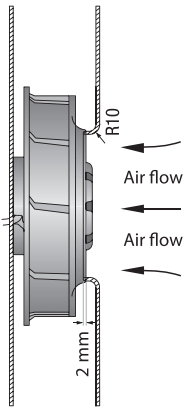
Series RER 190 TD  
VBS0190RULCS  
VBS0190RULDS

**Nominal data**

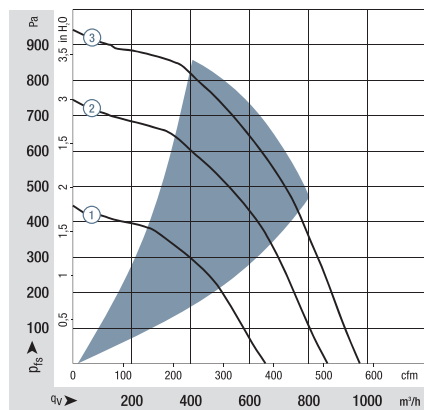
Type	Air flow		Nominal voltage	Voltage range		Sound power level	Sintec sleeve bearings Ball bearings	Power consumption	Nominal speed	Temperature range	Service life L <sub>10</sub> (40 °C) ebm-papst standard	Service life L <sub>10</sub> (T <sub>max</sub> ) ebm-papst standard	Life expectancy L <sub>10</sub> (IPC (40 °C) see page 15	Curve
	m <sup>3</sup> /h	cfm		VDC	VDC									
RER 190-39/14/2 TDML0	650	382	24	16...30	7.6	■	58	3 000	-20...+60	55 000 / 35 000	92 500	①		
RER 190-39/14/2 TDM0	860	506	24	16...36	7.9	■	110	3 900	-20...+65	52 500 / 30 000	87 500	②		
RER 190-39/18/2 TDML0	650	382	48	36...57	7.6	■	56	3 000	-20...+65	55 000 / 30 000	92 500	①		
RER 190-39/18/2 TDMOR-211	860	506	48	36...72	7.9	■	105	3 900	-20...+65	52 500 / 30 000	87 500	②		
RER 190-39/18/2 TD0	970	571	48	36...72	8.3	■	148	4 400	-20...+65	40 000 / 22 500	67 500	③		

Subject to change

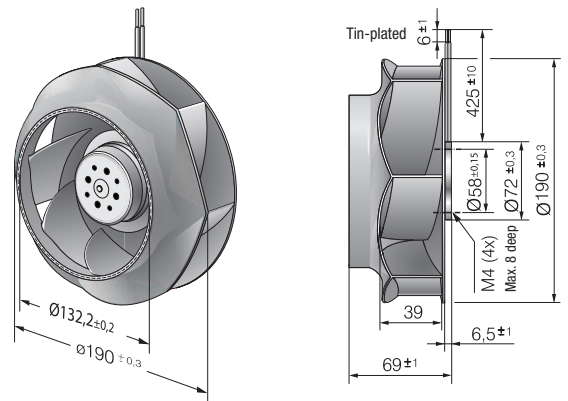
Speed control range from 800 rpm<sup>-1</sup> at 7 % PWM up to nominal speed at > 90 % PWM.  
Standstill at 0 % PWM, Standstill if control cable is interrupted.



The air flow and sound level of the centrifugal fans without external housing depend on their individual installation conditions.  
The stated air flow and sound level were recorded under the following measurement parameters:  
Centrifugal fan mounted on a foundation plate 225 x 225 mm.  
Cover plate 225 x 225 mm, with an air inlet opening Ø 125.5 mm, arranged concentrically to the impeller.



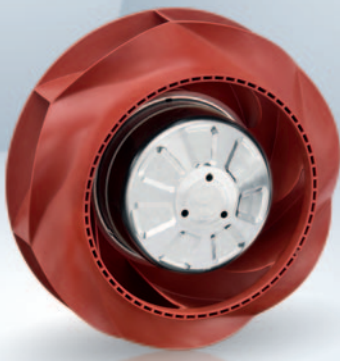
Air performance measured according to: ISO 5801.  
Installation category A, with ebm-papst inlet ring without contact protection.  
Noise: Total sound power level L<sub>WA</sub> ISO 10302 measured on a hemisphere with a distance of 2 m;  
Sound pressure level L<sub>pA</sub> measured at 1 m distance from fan axis.  
The values given are applicable only under the specified measuring conditions and may differ depending on the installation conditions.  
In the event of deviation from the standard configuration, the parameters must be checked after installation!  
For detailed information see <http://www.ebmpapst.com/general conditions>



Max. 820 m<sup>3</sup>/h

# EC centrifugal fans – RadiCal

Ø 190 mm



- **Material:** Impeller: PA plastic  
Rotor: Galvanized
- **Number of blades:** 7
- **Direction of rotation:** Clockwise, looking towards rotor
- **Degree of protection:** Motor IP24 KM, electronics IP6K9K (mating connector installed)
- **Insulation class:** "B"
- **Installation position:** Shaft horizontal or rotor on bottom; rotor on top on request
- **Condensation drainage holes:** On rotor side
- **Mode of operation:** Continuous operation (S1)
- **Bearings:** Ball bearing; (sealed)

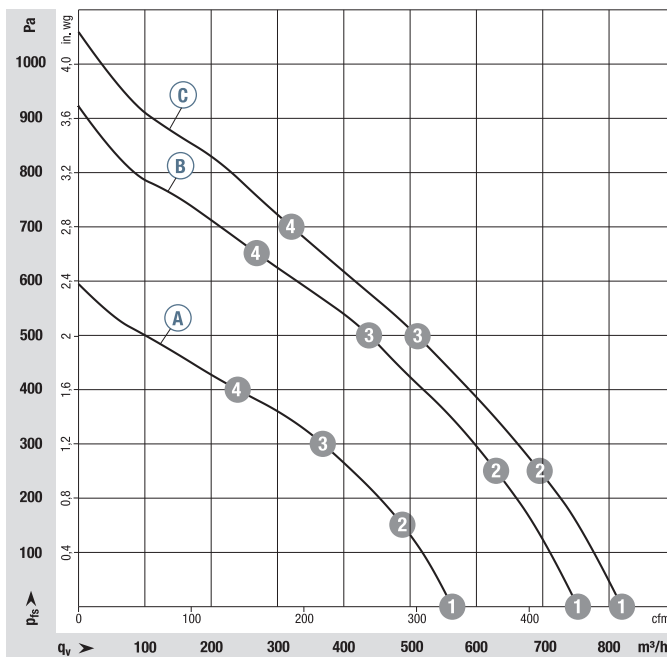
VBS0190RUNCS

## Nominal data

Type	Motor	Curve	Nominal voltage		Air flow	Nominal speed	Power consumption	Input current	Admissible amb. temp.	Technical features and connection diagram
			VDC	VDC						
<b>R1G 190</b>	M1G 074-BF	Ⓐ	12	8...16	565	3300	74	6.40	-25...+70	p. 278 / Q)
<b>R1G 190</b>	M1G 074-BF	Ⓑ	24	16...28	755	4200	135	5.60	-25...+60	p. 278 / Q)
<b>R1G 190</b>	M1G 074-BF	Ⓒ	48	36...57	820	4500	165	3.40	-25...+70	p. 279 / R)

Subject to change

## Curves:



	n	P <sub>ed</sub>	I
	rpm <sup>-1</sup>	W	A
Ⓐ 1	3300	74	6.40
Ⓐ 2	3245	78	6.71
Ⓐ 3	3175	80	7.05
Ⓐ 4	3250	78	6.72
Ⓑ 1	4200	135	5.60
Ⓑ 2	4080	142	5.90
Ⓑ 3	3985	147	6.12
Ⓑ 4	4115	140	5.83
Ⓒ 1	4500	165	3.40
Ⓒ 2	4380	165	3.40
Ⓒ 3	4215	167	3.50
Ⓒ 4	4345	165	3.40

Air performance measured according to: ISO 5801, Installation category A, with ebm-papst inlet ring without contact protection. Suction-side noise levels: LWA according to ISO 13347, L<sub>pA</sub> measured at 1 m distance from fan axis. The values given are applicable only under the specified measuring conditions and may differ depending on the installation conditions. In the event of deviation from the standard configuration, the parameters must be checked after installation! For detailed information see <http://www.ebmpapst.com/general-conditions>

- **Technical features:** See connection diagram p. 278/279
- **Cable exit:** Axial
- **Approvals:** EAC; CSA C22.2 No. 113; UL 507



Weight  
centrifugal fans



Centrifugal fans

kg

Inlet ring

R1G 190-RD61-02

1.45

09576-2-4013

R1G 190-RD79-02

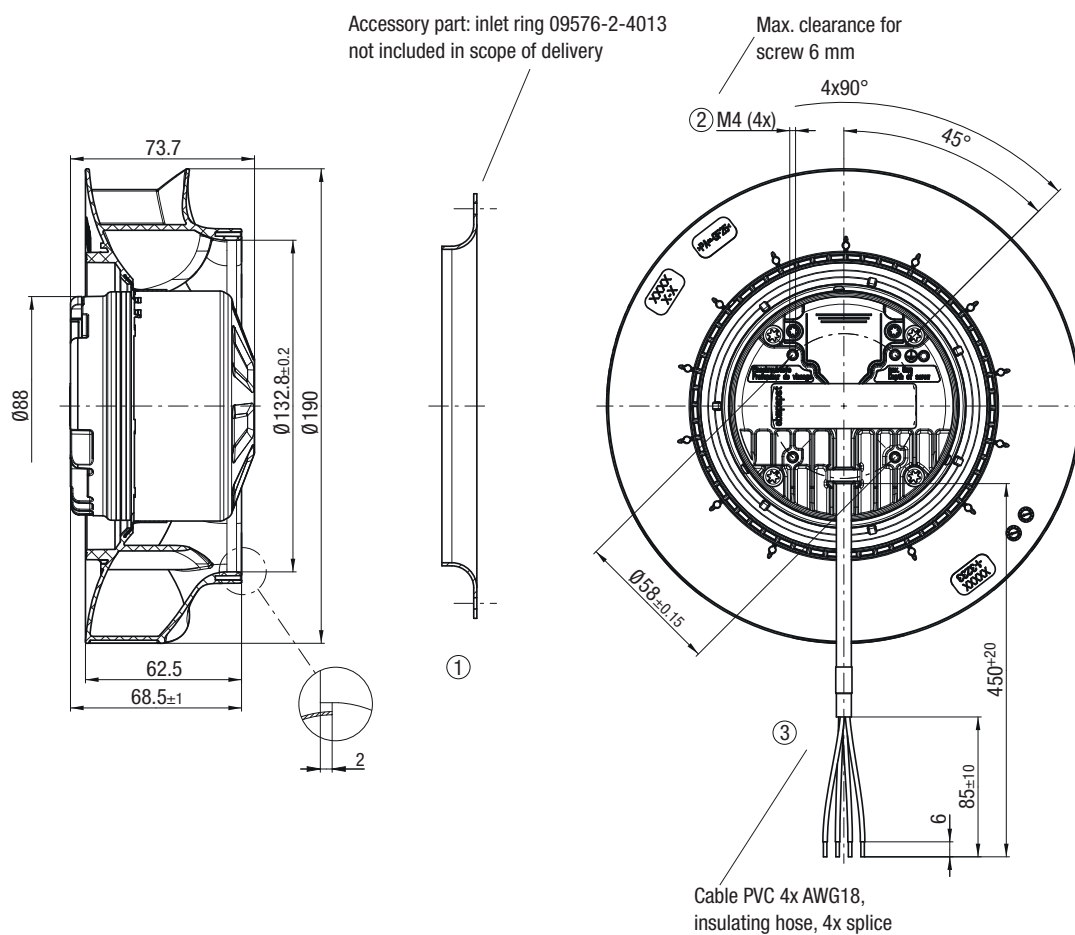
1.46

09576-2-4013

R1G 190-RD16-02

1.30

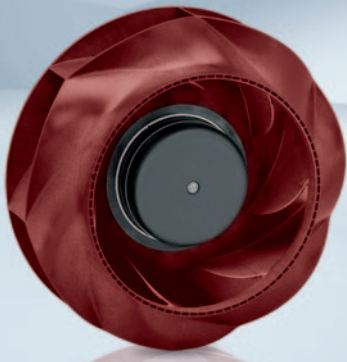
09576-2-4013



Max. 930 m<sup>3</sup>/h

# DC centrifugal fans – RadiCal

Ø 190 mm



- **Material:** Impeller: PA plastic  
Rotor: Painted black
- **Number of blades:** 7
- **Direction of rotation:** Clockwise, looking towards rotor
- **Degree of protection:** IP 44, depending on installation and position
- **Insulation class:** "B"
- **Installation position:** Any
- **Condensation drainage holes:** None
- **Mode of operation:** Continuous operation (S1)
- **Bearings:** Maintenance-free ball bearings

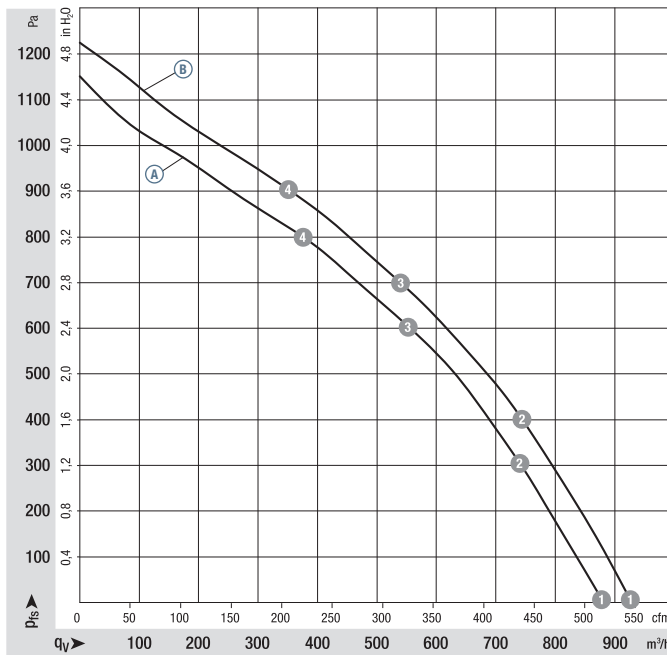
VBS0190RUNES

## Nominal data

Type	Motor	Curve	Nominal voltage VDC	Nominal voltage range VDC	Air flow m <sup>3</sup> /h	Nominal speed rpm <sup>-1</sup>	Power consumption W	Input current A	Sound pressure level dB(A)	Admissible amb. temp. °C	Technical features and connection diagram
<b>R3G 190</b>	M3G 074-CF	Ⓐ	24	16-28	880	4570	180	7.50	76	-25..+60	p. 277 / J5)
<b>R3G 190</b>	M3G 074-CF	Ⓑ	48	36-57	930	4800	192	4.00	76	-25..+60	p. 277 / J5)

Subject to change

## Curves:



	n rpm <sup>-1</sup>	P <sub>ed</sub> W	I A	L <sub>WA</sub> dB(A)
Ⓐ ①	4570	180	7.50	84
Ⓐ ②	4525	188	7.83	79
Ⓐ ③	4435	199	8.34	77
Ⓐ ④	4520	191	7.96	81
Ⓑ ①	4800	192	4.00	84
Ⓑ ②	4690	212	4.41	80
Ⓑ ③	4640	221	4.60	79
Ⓑ ④	4740	205	4.28	81

Air performance measured according to: ISO 5801, Installation category A, with ebm-papst inlet ring without contact protection. Suction-side noise levels: LWA according to ISO 13347, L<sub>pA</sub> measured at 1 m distance from fan axis. The values given are applicable only under the specified measuring conditions and may differ depending on the installation conditions. In the event of deviation from the standard configuration, the parameters must be checked after installation! For detailed information see <http://www.ebmpapst.com/general-conditions>

- **Technical features:** See connection diagram p. 277
- **Cable exit:** Variable
- **Conformity with standard(s):** EN 60950-1
- **Approvals:** EAC



Weight centrifugal fans



Centrifugal fans

kg

Inlet ring

R3G 190-RN38 -01

1.9

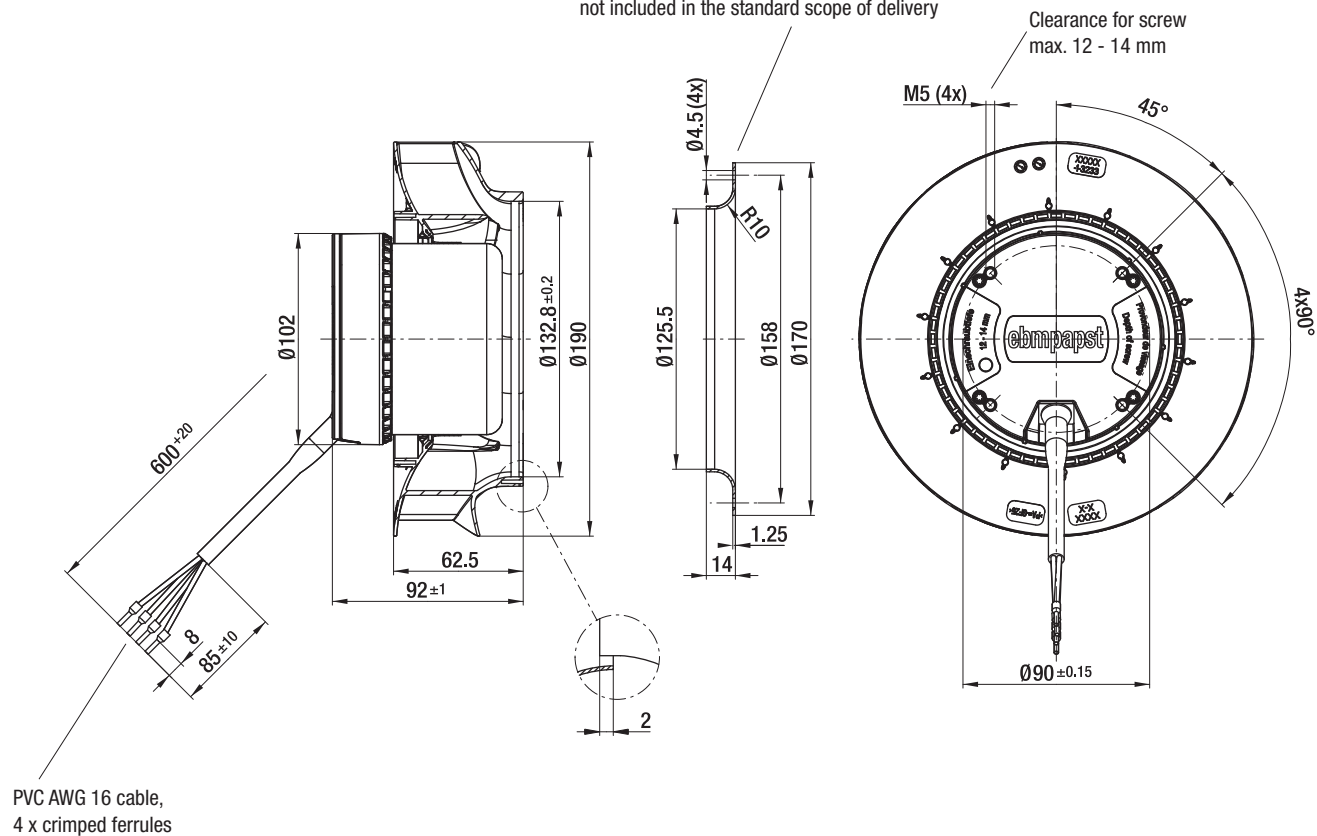
09576-2-4013

R3G 190-RN99 -02

1.9

09576-2-4013

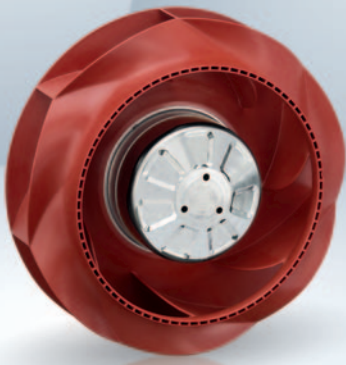
Accessory part: Inlet ring 09576-2-4013  
not included in the standard scope of delivery



Max. 1080 m<sup>3</sup>/h

# EC centrifugal fans – RadiCal

Ø 220 mm



- **Material:** Impeller: PA plastic  
Rotor: Galvanized
- **Number of blades:** 7
- **Direction of rotation:** Clockwise, looking towards rotor
- **Degree of protection:** Motor IP24 KM, electronics IP6K9K (mating connector installed)
- **Insulation class:** "B"
- **Installation position:** Shaft horizontal or rotor on bottom; rotor on top on request
- **Condensation drainage holes:** On rotor side
- **Mode of operation:** Continuous operation (S1)
- **Bearings:** Ball bearing; (sealed)

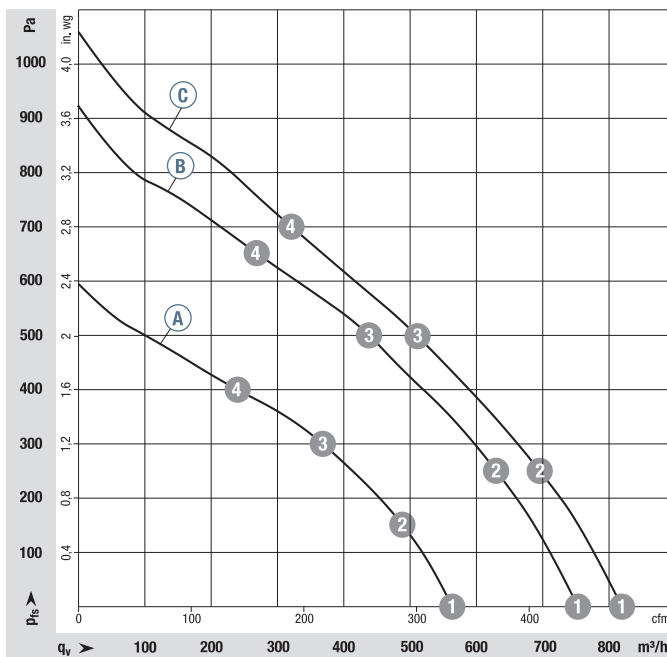
VDS0220RUNCS

## Nominal data

Type	Motor	Curve	Nominal voltage		Air flow	Nominal speed	Power consumption	Input current	Admissible amb. temp.	Technical features and connection diagram
			VDC	VDC						
<b>R1G 220</b>	M1G 074-BF	Ⓐ	12	8...16	925	2700	90	8.60	-25...+70	p. 278 / Q)
<b>R1G 220</b>	M1G 074-BF	Ⓑ	24	16...28	1070	3050	125	5.20	-25...+60	p. 278 / Q)
<b>R1G 220</b>	M1G 074-BF	Ⓒ	48	36...57	1080	3150	125	2.60	-25...+70	p. 279 / R)

Subject to change

## Curves:



	n	P <sub>ed</sub>	I
	rpm <sup>-1</sup>	W	A
Ⓐ 1	2700	90	8,60
Ⓐ 2	2670	92	8,84
Ⓐ 3	2600	96	9,25
Ⓐ 4	2685	92	8,80
Ⓑ 1	3050	125	5,20
Ⓑ 2	3085	131	5,43
Ⓑ 3	2965	132	5,50
Ⓑ 4	3065	130	5,40
Ⓒ 1	3150	125	2,60
Ⓒ 2	3070	128	2,70
Ⓒ 3	2985	130	2,70
Ⓒ 4	3085	127	2,70

Air performance measured according to: ISO 5801, Installation category A, with ebm-papst inlet ring without contact protection. Suction-side noise levels: LWA according to ISO 13347, L<sub>pA</sub> measured at 1 m distance from fan axis. The values given are applicable only under the specified measuring conditions and may differ depending on the installation conditions. In the event of deviation from the standard configuration, the parameters must be checked after installation! For detailed information see <http://www.ebmpapst.com/general-conditions>



- **Technical features:** See connection diagram p. 278/279
- **Cable exit:** Axial
- **Approvals:** EAC; CSA C22.2 No. 113; UL 507



Weight  
centrifugal fans



Centrifugal fans

kg

Inlet ring

**R1G 220-RD61-02**

1.5

09609-2-4013

**R1G 220-RD10-02**

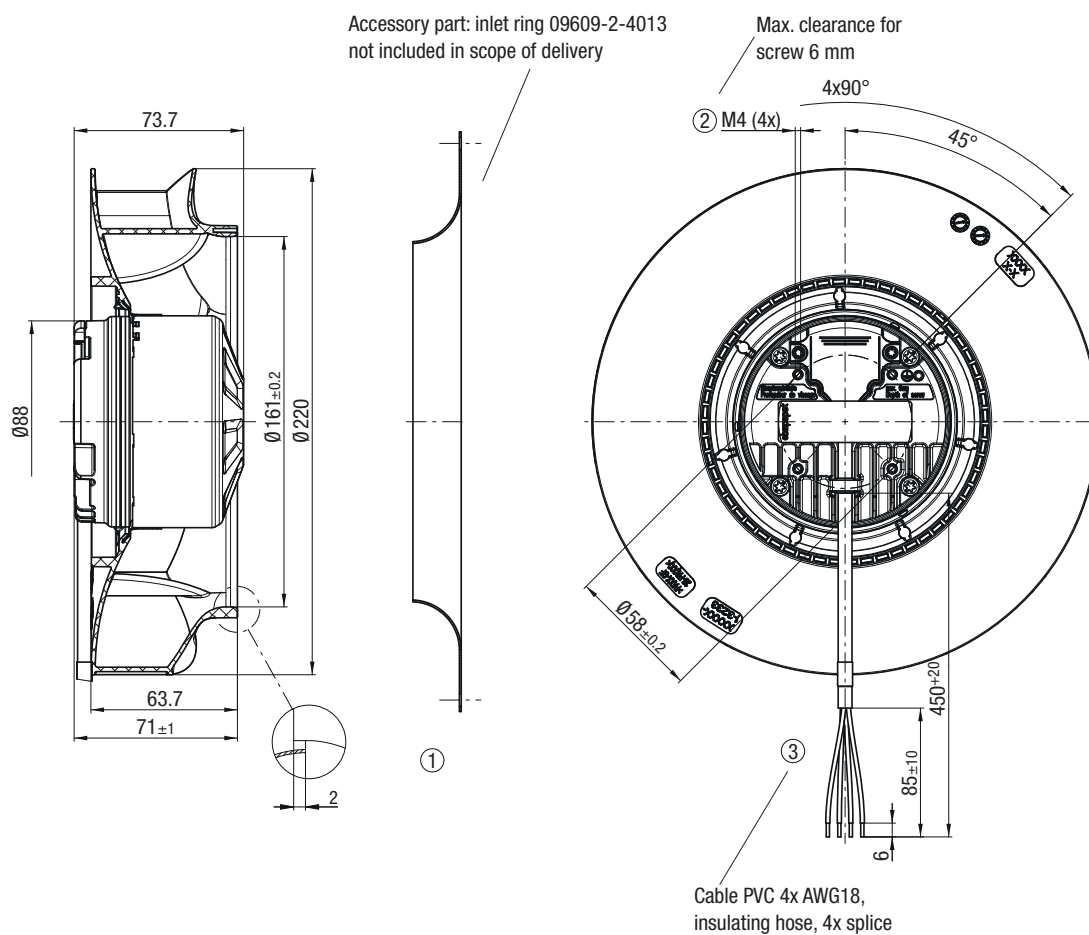
1.5

09609-2-4013

**R1G 220-RD02-02**

1.5

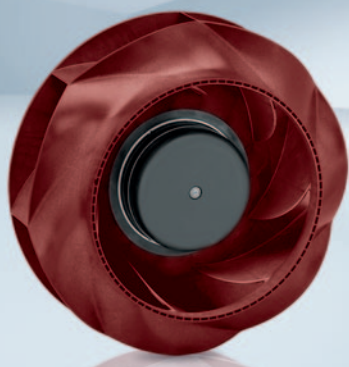
09609-2-4013



Max. 1215 m<sup>3</sup>/h

# DC centrifugal fans – RadiCal

Ø 220 mm



- **Material:** Impeller: PA plastic  
Rotor: Painted black
- **Number of blades:** 7
- **Direction of rotation:** Clockwise, looking towards rotor
- **Degree of protection:** IP 44, depending on installation and position
- **Insulation class:** "B"
- **Installation position:** Any
- **Condensation drainage holes:** None
- **Mode of operation:** Continuous operation (S1)
- **Bearings:** Maintenance-free ball bearings

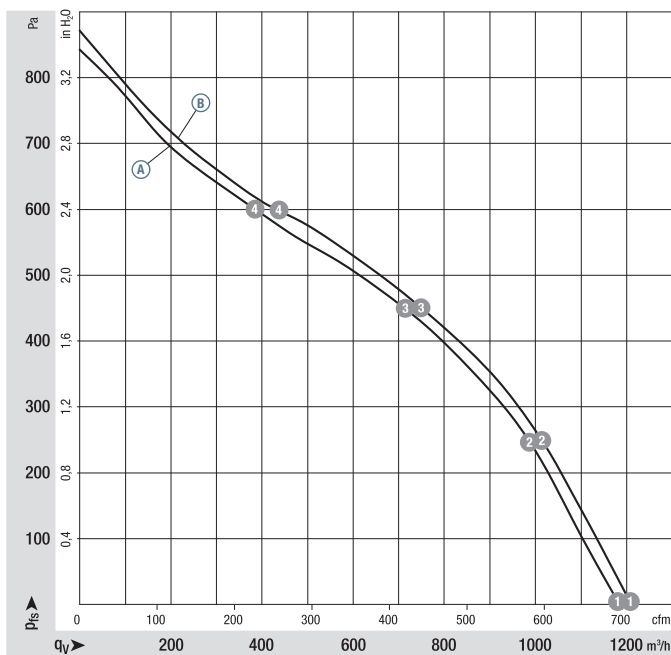
VBS0220RUNES

## Nominal data

Type	Motor	Curve	Nominal voltage		Air flow	Nominal speed	Power consumption	Input current	Sound pressure level	Admissible amb. temp.	Technical features and connection diagram
			VDC	VDC							
R3G 220	M3G 074-CF	Ⓐ	24	16-28	1200	3460	157	6.50	73	-25...+60	p. 277 / J5)
R3G 220	M3G 074-CF	Ⓑ	48	36-57	1215	3510	160	3.40	73	-25...+60	p. 277 / J5)

Subject to change

## Curves:



	n	P <sub>ed</sub>	I	L <sub>WA</sub>
	rpm <sup>-1</sup>	W	A	dB(A)
Ⓐ ①	3460	157	6.50	81
Ⓐ ②	3420	171	7.11	77
Ⓐ ③	3360	182	7.59	74
Ⓐ ④	3455	168	6.97	79
Ⓑ ①	3510	160	3.40	81
Ⓑ ②	3450	168	3.50	77
Ⓑ ③	3385	178	3.71	74
Ⓑ ④	3460	167	3.47	79

Air performance measured according to: ISO 5801, Installation category A, with ebm-papst inlet ring without contact protection. Suction-side noise levels: LWA according to ISO 13347, L<sub>WA</sub> measured at 1 m distance from fan axis. The values given are applicable only under the specified measuring conditions and may differ depending on the installation conditions. In the event of deviation from the standard configuration, the parameters must be checked after installation! For detailed information see <http://www.ebmpapst.com/general-conditions>

- **Technical features:** See connection diagram p. 277
- **Cable exit:** Variable
- **Conformity with standard(s):** EN 60950-1
- **Approvals:** EAC



Weight centrifugal fans



Centrifugal fans

kg

Inlet ring

R3G 220-RN12 -01

1.9

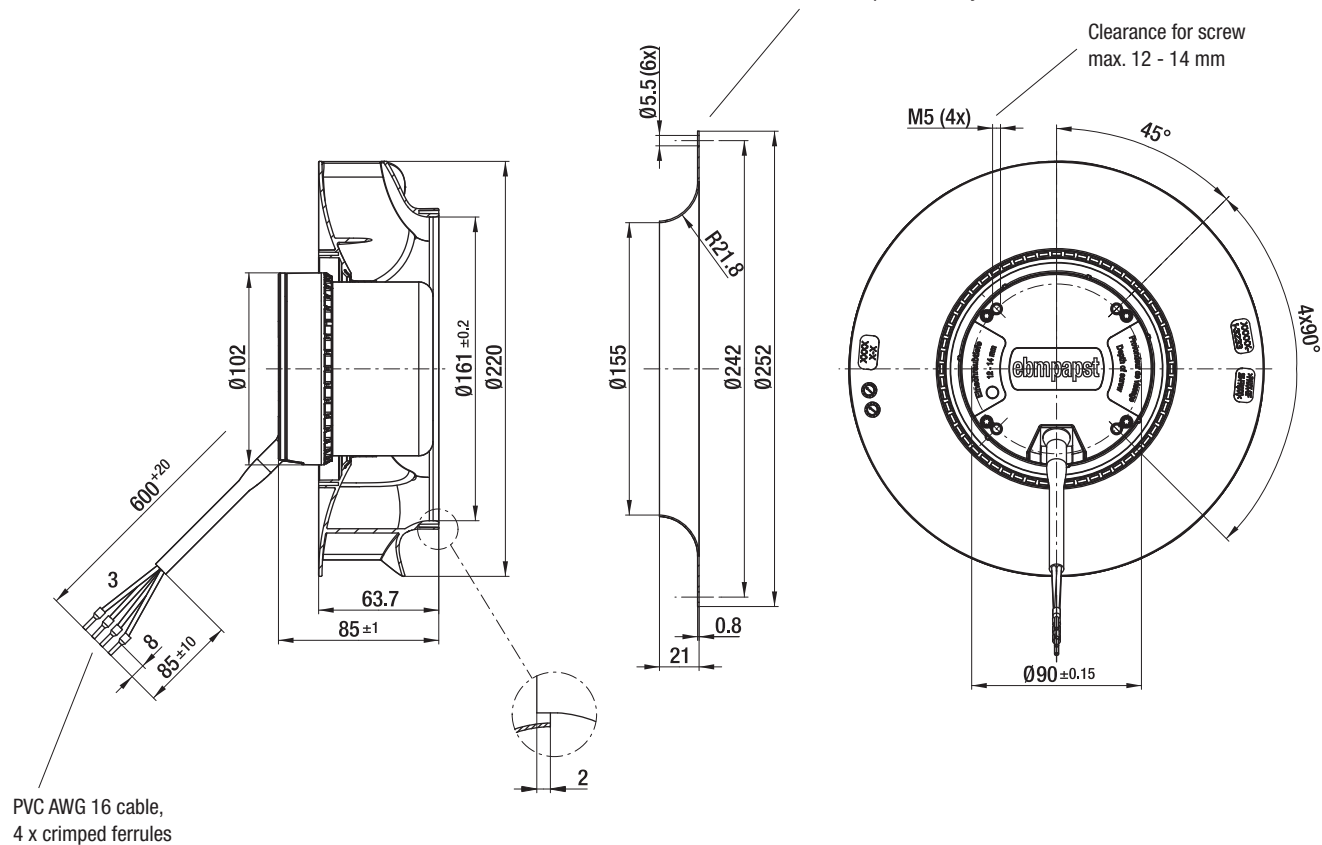
09609-2-4013

R3G 220-RNB6 -02

1.9

09609-2-4013

Accessory part: Inlet ring 09609-2-4013  
not included in the standard scope of delivery



Max. 1250 m<sup>3</sup>/h  
**S-Force**

# DC centrifugal fans – RadiCal

Ø 220 x 71 mm



- **Material:** Impeller: GRP<sup>1)</sup>
  - **Direction of air flow:** Axial: Intake, Centrifugal: Exhaust
  - **Direction of rotation:** Clockwise, looking towards rotor
  - **Connection:** Via single wires AWG 18, 20 or AWG 22, TR 64, speed signal and control input AWG 22
  - **Highlights:** Highly efficient and smoothly operating 3-phase fan drive  
Backward-curved impeller
  - **Weight:** 940 g
- **Possible special versions:** (See chapter DC fans - specials)
    - Speed signal
    - Go / NoGo alarm
    - Alarm with speed limit
    - External temperature sensor
    - Internal temperature sensor
    - PWM control input
    - Analog control input
    - Multi-option control input
    - Humidity protection
    - Salt spray protection
    - Degree of protection: IP 54

1) Fiberglass-reinforced plastic

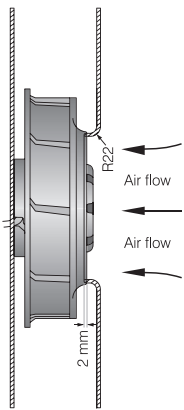
Series RER 220 TD  
VBS0200RULCS  
VBS0200RULDS

**Nominal data**

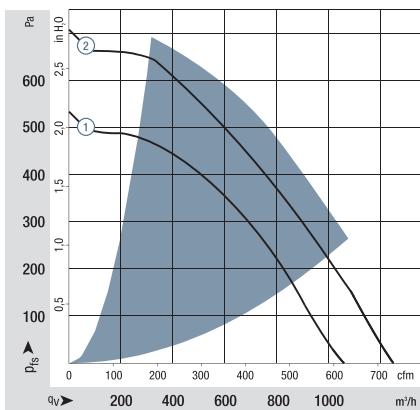
Type	Air flow		Nominal voltage	Voltage range		Sound power level	Sinter sleeve bearings Ball bearings	Power consumption	Nominal speed	Temperature range	Service life L <sub>10</sub> (40 °C) ebm-papst standard	Service life L <sub>10</sub> (T <sub>max</sub> ) ebm-papst standard	Life expectancy L <sub>10</sub> IPC (40 °C) see page 15	Curve
	m <sup>3</sup> /h	cfm		VDC	VDC									
RER 220-43/14/2 TDMO*	1063	625	24	16...36	7.5	■	110	3 000	-20...+55	65 000 / 45 000	110 000	①		
RER 220-43/18/2 TDMO	1063	625	48	36...72	7.5	■	110	3 000	-20...+55	65 000 / 45 000	110 000	①		
RER 220-43/18/2 TDO	1250	735	48	36...72	7.8	■	160	3 500	-20...+55	60 000 / 42 500	102 500	②		

Subject to change  
\* On request

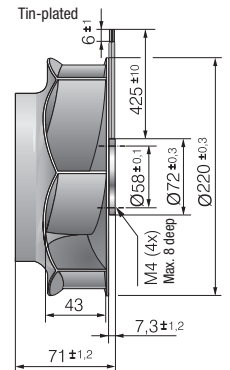
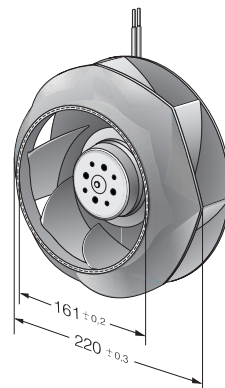
Speed control range from 800 rpm<sup>-1</sup> at 7 % PWM up to nominal speed at > 90 % PWM.  
Standstill at 0 % PWM, Standstill if control cable is interrupted.



The air flow and sound level of the centrifugal fans without external housing depend on their individual installation conditions.  
The stated air flow and sound level were recorded under the following measurement parameters:  
Centrifugal fan mounted on a foundation plate 260 x 260 mm.  
Cover plate 260 x 260 mm, with an air inlet opening Ø 155 mm, arranged concentrically to the impeller.



Air performance measured according to: ISO 5801.  
Installation category A, with ebm-papst inlet ring without contact protection.  
Noise: Total sound power level LWA ISO 10302 measured on a hemisphere with a distance of 2 m.  
Sound pressure level LpA measured at 1 m distance from fan axis.  
The values given are applicable only under the specified measuring conditions and may differ depending on the installation conditions.  
In the event of deviation from the standard configuration, the parameters must be checked after installation!  
For detailed information see <http://www.ebmpapst.com/general conditions>



Max. 1600 m<sup>3</sup>/h  
**S-Force**

# DC centrifugal fans

Ø 225 x 99 mm



- **Material:** Impeller: GRP<sup>1)</sup>
  - **Direction of air flow:** Axial: Intake, Centrifugal: Exhaust
  - **Direction of rotation:** Clockwise, looking towards rotor
  - **Connection:** Via single wires AWG 18, 20 or AWG 22, TR 64, speed signal and control input AWG 22
  - **Highlights:** Highly efficient and smoothly operating 3-phase fan drive Backward-curved impeller
  - **Weight:** 1030 g
- **Possible special versions:** (See chapter DC fans - specials)
    - Speed signal
    - Go / NoGo alarm
    - Alarm with speed limit
    - External temperature sensor
    - Internal temperature sensor
    - PWM control input
    - Analog control input
    - Multi-option control input
    - Humidity protection
    - Salt spray protection
    - Degree of protection: IP 54

1) Fiberglass-reinforced plastic

Series RER 225 TD  
VBS0225XULDS  
VBS0225RULFS

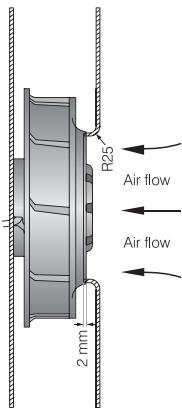
### Nominal data

Type	Air flow		Nominal voltage	Voltage range		Sound power level	Sintec sleeve bearings Ball bearings	Power consumption	Nominal speed	Temperature range	Service life L <sub>10</sub> (40 °C) ebm-papst standard	Service life L <sub>10</sub> (T <sub>max</sub> ) ebm-papst standard	Life expectancy L <sub>10</sub> (IPC) (40 °C) see page 15	Curve
	m <sup>3</sup> /h	cfm		VDC	VDC									
RER 225-63/18/2 TDML0	1190	700	48	36...72	7.2	77	■	77	2 500	-20...+55	70 000 / 50 000		122 500	①
RER 225-63/18/2 TDM0	1340	789	48	36...72	7.8	108	■	108	2 800	-20...+55	55 000 / 40 000		92 500	②
RER 225-63/18/2 TDO	1600	941	48	36...72	8.1	163	■	163	3 300	-20...+55	52 500 / 37 500		87 500	③
RadiCal RER 225-55/18/2 TDO	1540	906	48	36...72	8.0	225,6	■	225,6	3 500	-20...+55	50 000 / 35 000		85 000	④

Subject to change

Speed control range from 800 rpm<sup>-1</sup> at 7 % PWM up to nominal speed at > 90 % PWM.

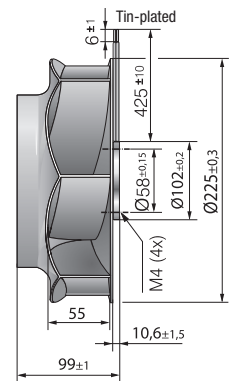
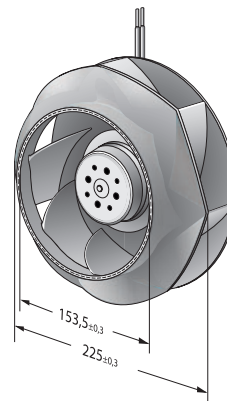
Standstill at 0 % PWM, Type O: Standstill if control cable is interrupted. Type P: Maximum speed if control cable is interrupted.



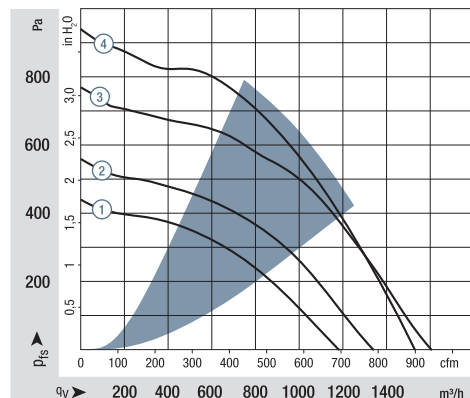
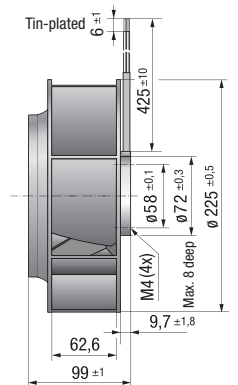
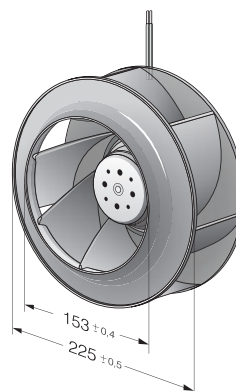
The air flow and sound level of the centrifugal fans without external housing depend on their individual installation conditions.

The stated air flow and sound level were recorded under the following measurement parameters:  
Centrifugal fan mounted on a foundation plate 266 x 266 mm.  
Cover plate 266 x 266 mm, with an air inlet opening Ø 146 mm, arranged concentrically to the impeller.

RER 225 TD RadiCal



RER 225 TD

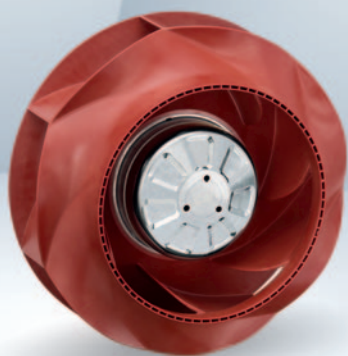


Air performance measured according to: ISO 5801.  
Installation category A, with ebm-papst inlet ring without contact protection.  
Noise: Total sound power level LWA ISO 10302 measured on a hemisphere with a distance of 2 m.  
Sound pressure level LpA measured at 1 m distance from fan axis.  
The values given are applicable only under the specified measuring conditions and may differ depending on the installation conditions.  
In the event of deviation from the standard configuration, the parameters must be checked after installation!  
For detailed information see <http://www.ebmpapst.com/general-conditions>

Max. 1130 m³/h

# EC centrifugal fans – RadiCal

Ø 225 mm



- **Material:** Impeller: PA plastic  
Rotor: Galvanized
- **Number of blades:** 7
- **Direction of rotation:** Clockwise, looking towards rotor
- **Degree of protection:** Motor IP24 KM, electronics IP6K9K (mating connector installed)
- **Insulation class:** "B"
- **Installation position:** Shaft horizontal or rotor on bottom; rotor on top on request
- **Condensation drainage holes:** On rotor side
- **Mode of operation:** Continuous operation (S1)
- **Bearings:** Ball bearing; (sealed)

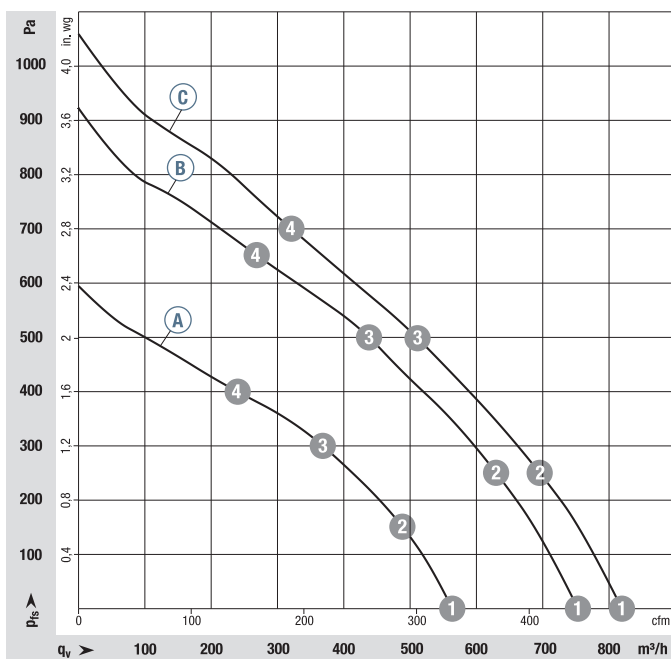
VBS0225RUNCS

## Nominal data

Type	Motor	Curve	Nominal voltage		Air flow	Nominal speed	Power consumption	Input current	Admissible amb. temp.	Technical features and connection diagram
			VDC	VDC						
R1G 225	M1G 074-BF	Ⓐ	12	8...16	990	2350	85	8.00	-25...+70	p. 278 / Q)
R1G 225	M1G 074-BF	Ⓑ	24	16...28	1125	2700	120	4.90	-25...+70	p. 278 / Q)
R1G 225	M1G 074-BF	Ⓒ	48	36...57	1130	2700	115	2.40	-25...+70	p. 279 / R)

Subject to change

## Curves:



	n	P <sub>ed</sub>	I
	rpm <sup>-1</sup>	W	A
Ⓐ 1	2350	85	8.00
Ⓐ 2	2245	89	8.54
Ⓐ 3	2245	89	8.56
Ⓐ 4	2380	82	7.80
Ⓑ 1	2700	120	4.90
Ⓑ 2	2535	121	5.06
Ⓑ 3	2525	121	5.06
Ⓑ 4	2710	117	4.87
Ⓒ 1	2700	115	2.40
Ⓒ 2	2610	118	2.50
Ⓒ 3	2545	119	2.50
Ⓒ 4	2720	116	2.40

Air performance measured according to: ISO 5801, Installation category A, with ebm-papst inlet ring without contact protection. Suction-side noise levels: LWA according to ISO 13347, L<sub>pA</sub> measured at 1 m distance from fan axis. The values given are applicable only under the specified measuring conditions and may differ depending on the installation conditions. In the event of deviation from the standard configuration, the parameters must be checked after installation! For detailed information see <http://www.ebmpapst.com/general-conditions>

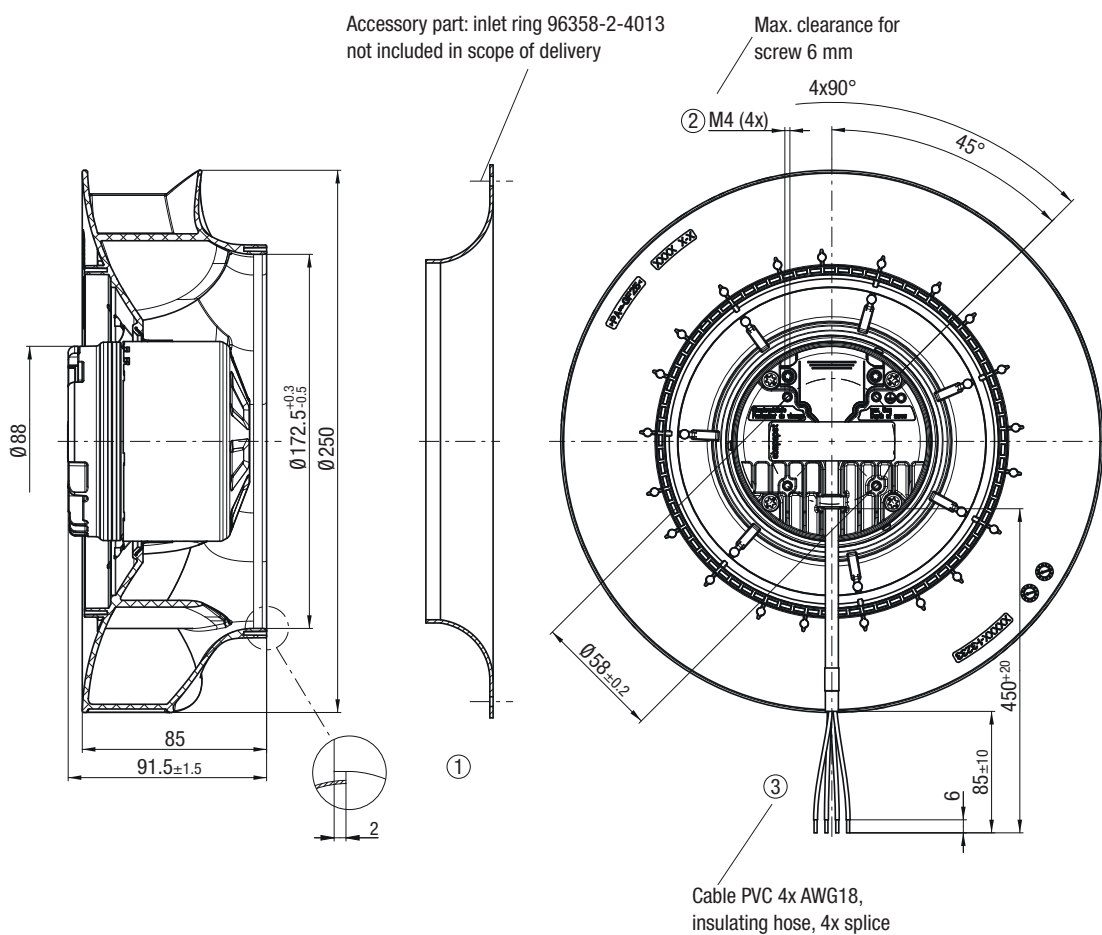
- **Technical features:** See connection diagram p. 278/279
- **Cable exit:** Axial
- **Approvals:** EAC; CSA C22.2 No. 113; UL 507



Weight centrifugal fans



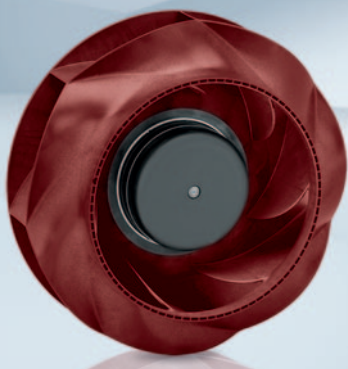
Centrifugal fans	kg	Inlet ring
R1G 225-RD59-02	1.6	96358-2-4013
R1G 225-RD14-02	1.6	96358-2-4013
R1G 225-RD18-02	1.6	96358-2-4013



Max. 1340 m<sup>3</sup>/h

# DC centrifugal fans – RadiCal

Ø 225 mm



- **Material:** Impeller: PA plastic  
Rotor: Painted black
- **Number of blades:** 7
- **Direction of rotation:** Clockwise, looking towards rotor
- **Degree of protection:** IP 44, depending on installation and position
- **Insulation class:** "B"
- **Installation position:** Any
- **Condensation drainage holes:** None
- **Mode of operation:** Continuous operation (S1)
- **Bearings:** Maintenance-free ball bearings

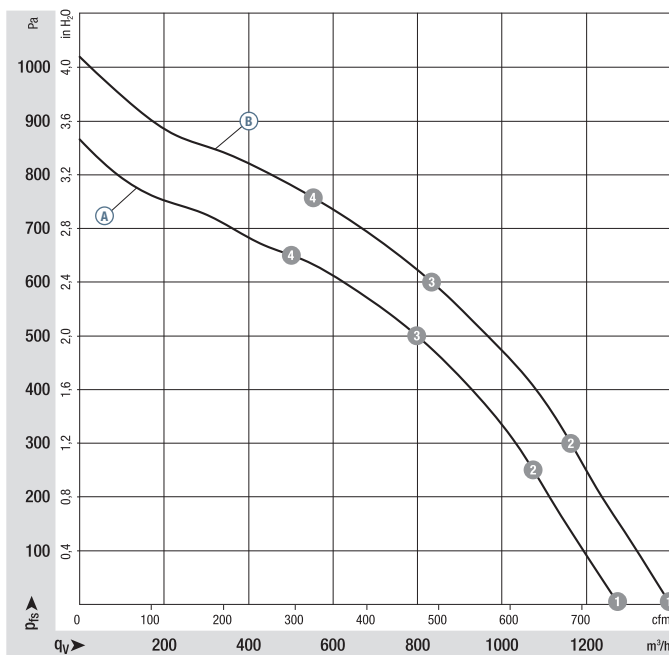
VBS0225RUNES

## Nominal data

Type	Motor	Curve	Nominal voltage		Air flow	Nominal speed	Power consumption	Input current	Sound pressure level	Admissible amb. temp.	Technical features and connection diagram
			VDC	VDC							
<b>R3G 225</b>	M3G 074-CF	Ⓐ	24	16-28	1300	3270	205	8.50	75	-25...+60	p. 277 / J5)
<b>R3G 225</b>	M3G 074-CF	Ⓑ	48	36-57	1340	3400	230	4.80	73	-25...+60	p. 277 / J5)

Subject to change

## Curves:



	n	P <sub>ed</sub>	I	L <sub>WA</sub>
	rpm <sup>-1</sup>	W	A	dB(A)
Ⓐ 1	3270	205	8.50	81
Ⓐ 2	3200	208	8.66	78
Ⓐ 3	3185	213	8.88	74
Ⓐ 4	3260	194	8.02	77
Ⓑ 1	3400	230	4.80	83
Ⓑ 2	3440	257	5.35	80
Ⓑ 3	3435	260	5.43	76
Ⓑ 4	3500	239	4.97	78

Air performance measured according to: ISO 5801, Installation category A, with ebm-papst inlet ring without contact protection. Suction-side noise levels: L<sub>WA</sub> according to ISO 13347, L<sub>vA</sub> measured at 1 m distance from fan axis. The values given are applicable only under the specified measuring conditions and may differ depending on the installation conditions. In the event of deviation from the standard configuration, the parameters must be checked after installation! For detailed information see <http://www.ebmpapst.com/general-conditions>



- **Technical features:** See connection diagram p. 277
- **Cable exit:** Variable
- **Conformity with standard(s):** EN 60950-1
- **Approvals:** EAC

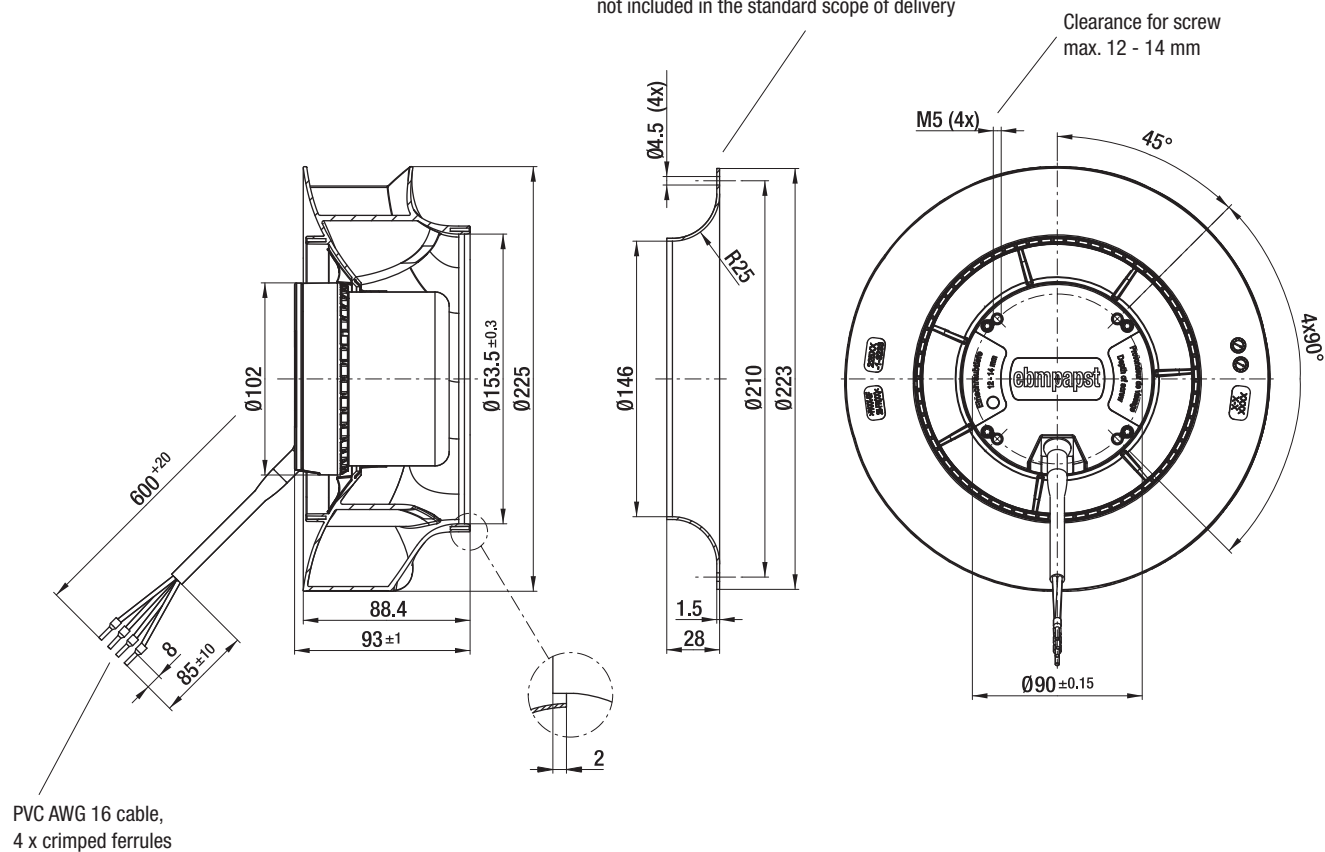


Weight  
centrifugal fans



Centrifugal fans	kg	Inlet ring
R3G 225-RN28 -01	2.1	96358-2-4013
R3G 225-RN18 -02	2.1	96358-2-4013

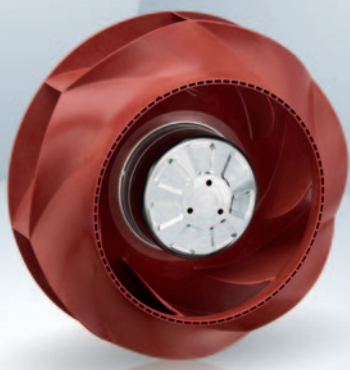
Accessory part: Inlet ring 96358-2-4013  
not included in the standard scope of delivery



max. 1505 m<sup>3</sup>/h

# EC centrifugal fans – RadiCal

Ø 250 mm



- **Material:** Impeller: PA plastic  
Rotor: Galvanized
- **Number of blades:** 7
- **Direction of rotation:** Clockwise, looking towards rotor
- **Degree of protection:** Motor IP24 KM, electronics IP6K9K (mating connector installed)
- **Insulation class:** "B"
- **Installation position:** Shaft horizontal or rotor on bottom; rotor on top on request
- **Condensation drainage holes:** On rotor side
- **Mode of operation:** Continuous operation (S1)
- **Bearings:** Ball bearing; (sealed)

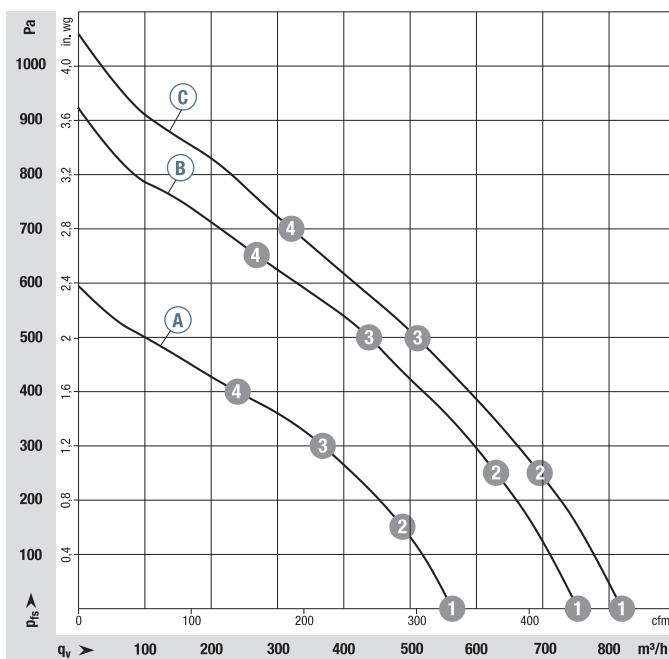
VBS0250RUNES

## Nominal data

Type	Motor	Curve	Nominal voltage		Air flow	Nominal speed	Power consumption	Input current	Admissible amb. temp.	Technical features and connection diagram
			VDC	VDC						
<b>R1G 250</b>	M1G 074-CF	Ⓐ	12	8...16	1035	2000	64	5.40	-25...+70	p. 278 / Q)
<b>R1G 250</b>	M1G 074-CF	Ⓑ	24	16...28	1295	2500	120	4.90	-25...+60	p. 278 / Q)
<b>R1G 250</b>	M1G 074-CF	Ⓒ	48	36...57	1505	2850	175	3.70	-25...+60	p. 279 / R)

Subject to change

## Curves:



	n	P <sub>ed</sub>	I
	rpm <sup>-1</sup>	W	A
Ⓐ ①	2000	64	5.40
Ⓐ ②	1945	69	5.69
Ⓐ ③	1895	71	5.95
Ⓐ ④	1945	69	5.69
Ⓑ ①	2500	120	4.90
Ⓑ ②	2420	123	5.14
Ⓑ ③	2350	130	5.39
Ⓑ ④	2420	124	5.16
Ⓒ ①	2850	175	3.70
Ⓒ ②	2755	179	3.70
Ⓒ ③	2650	182	3.80
Ⓒ ④	2795	177	3.70

Air performance measured according to: ISO 5801, Installation category A, with ebm-papst inlet ring without contact protection. Suction-side noise levels: LWA according to ISO 13347, L<sub>pA</sub> measured at 1 m distance from fan axis. The values given are applicable only under the specified measuring conditions and may differ depending on the installation conditions. In the event of deviation from the standard configuration, the parameters must be checked after installation! For detailed information see <http://www.ebmpapst.com/general-conditions>

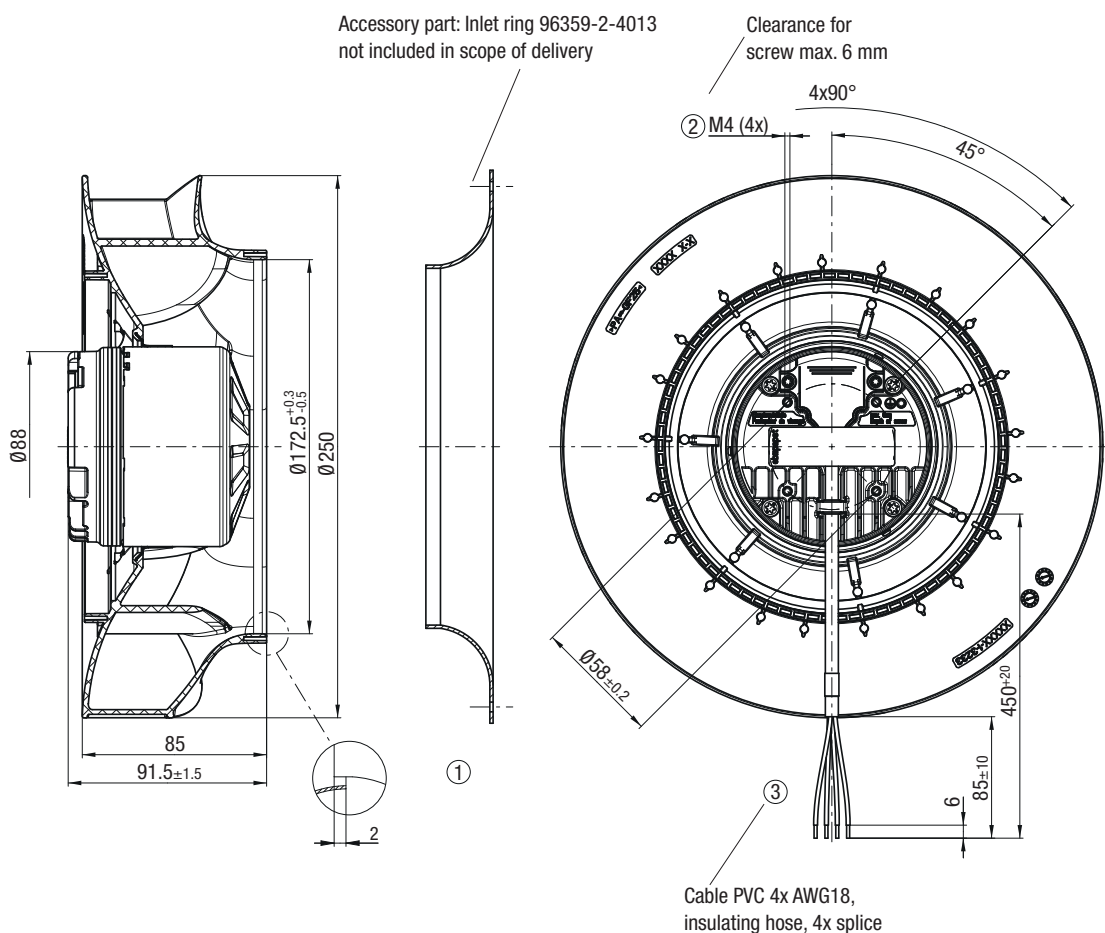
- **Technical features:** See connection diagram p. 278/279
- **Cable exit:** Axial
- **Approvals:** EAC; CSA C22.2 No. 113; UL 507



Weight centrifugal fans



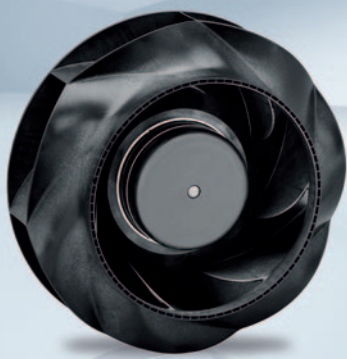
Centrifugal fans	kg	Inlet ring
R1G 250-RC77-02	2.0	96359-2-4013
R1G 250-RC87-02	2.0	96359-2-4013
R1G 250-RC89-02	2.0	96359-2-4013



Max. 1640 m<sup>3</sup>/h

# DC centrifugal fans – RadiCal

Ø 250 mm



- **Material:** Impeller: PA plastic  
Rotor: Painted black
- **Number of blades:** 7
- **Direction of rotation:** Clockwise, looking towards rotor
- **Degree of protection:** IP 44, depending on installation and position
- **Insulation class:** "B"
- **Installation position:** Any
- **Condensation drainage holes:** None
- **Mode of operation:** Continuous operation (S1)
- **Bearings:** Maintenance-free ball bearings

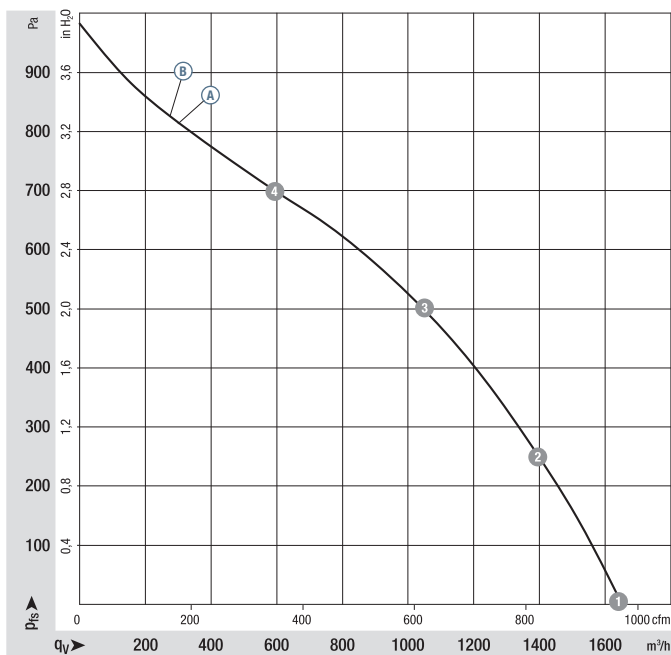
VBS0250RUNES

## Nominal data

Type	Motor	Curve	Nominal voltage VDC	Nominal voltage range VDC	Air flow m <sup>3</sup> /h	Nominal speed rpm <sup>-1</sup>	Power consumption W	Input current A	Sound pressure level dB(A)	Admissible amb. temp. °C	Technical features and connection diagram
<b>R3G 250</b>	M3G 074-CF	Ⓐ	24	16-28	1505	2850	175	7.20	73	-25...+60	p. 277 / J5)
<b>R3G 250</b>	M3G 074-CF	Ⓑ	48	36-57	1640	3100	230	4.80	73	-25...+60	p. 277 / J5)

Subject to change

## Curves:



	n rpm <sup>-1</sup>	P <sub>ed</sub> W	I A	L <sub>WA</sub> dB(A)
Ⓐ 1	2850	175	7.20	81
Ⓐ 2	3075	260	10.80	77
Ⓐ 3	3035	276	11.45	75
Ⓐ 4	3095	256	10.66	75
Ⓑ 1	3100	230	4.80	81
Ⓑ 2	3065	249	5.20	77
Ⓑ 3	3025	266	5.55	75
Ⓑ 4	3090	244	5.09	78

Air performance measured according to: ISO 5801, Installation category A, with ebm-papst inlet ring without contact protection. Suction-side noise levels: L<sub>WA</sub> according to ISO 13347, L<sub>pA</sub> measured at 1 m distance from fan axis. The values given are applicable only under the specified measuring conditions and may differ depending on the installation conditions. In the event of deviation from the standard configuration, the parameters must be checked after installation! For detailed information see <http://www.ebmpapst.com/general-conditions>

- **Technical features:** See connection diagram p. 277
- **Cable exit:** Variable
- **Conformity with standard(s):** EN 60950-1
- **Approvals:** EAC



Weight centrifugal fans



Centrifugal fans

kg

Inlet ring

R3G 250-RN46 -01

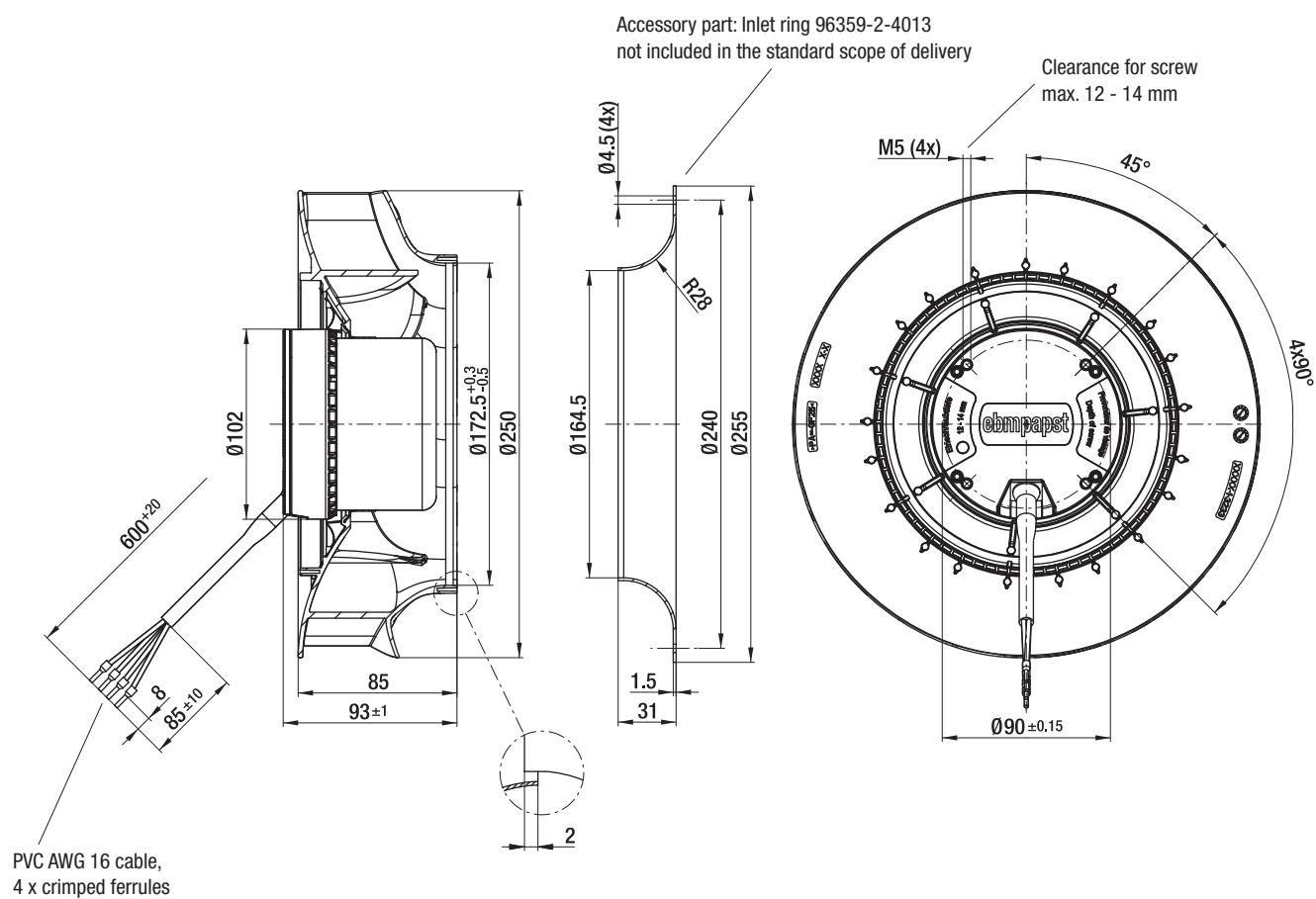
2.1

96359-2-4013

R3G 250-RNB5 -02

2.1

96359-2-4013



max. 2120 m<sup>3</sup>/h

# EC centrifugal fans – RadiCal

Ø 280 mm



- **Material:** Impeller: PP plastic  
Rotor: Galvanized
- **Number of blades:** 7
- **Direction of rotation:** Clockwise, looking towards rotor
- **Degree of protection:** Motor IP24 KM, electronics IP6K9K (mating connector installed)
- **Insulation class:** "B"
- **Installation position:** Shaft horizontal or rotor on bottom; rotor on top on request
- **Condensation drainage holes:** On rotor side
- **Mode of operation:** Continuous operation (S1)
- **Bearings:** Ball bearing; (sealed)

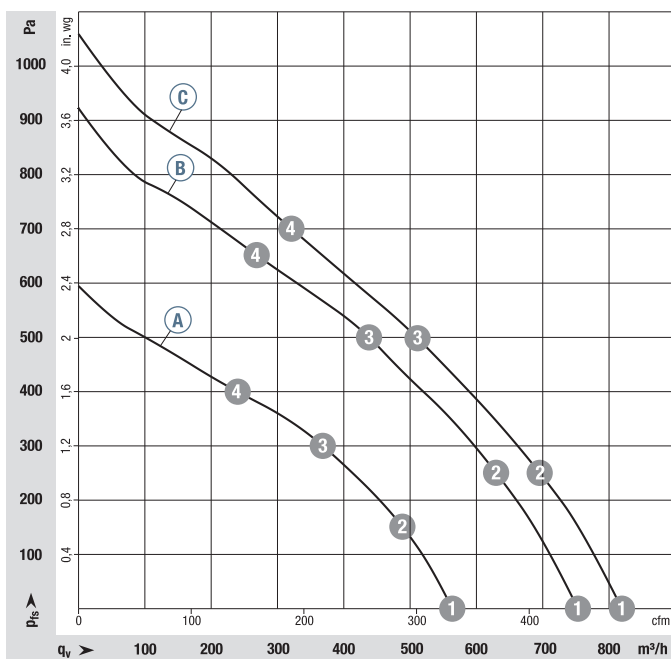
VBS0280RUNES

## Nominal data

Type	Motor	Curve	Nominal voltage		Air flow	Nominal speed	Power consumption	Input current	Admissible amb. temp.	Technical features and connection diagram
			VDC	VDC						
<b>R1G 280</b>	M1G 074-CF	Ⓐ	12	8...16	1780	1500	75	7.20	-25...+70	p. 278 / Q)
<b>R1G 280</b>	M1G 074-CF	Ⓑ	24	16...28	2035	1700	105	4.40	-25...+60	p. 278 / Q)
<b>R1G 280</b>	M1G 074-CF	Ⓒ	48	36...57	2120	1800	115	2.40	-25...+60	p. 279 / R)

Subject to change

## Curves:



	n	P <sub>ed</sub>	I
	rpm <sup>-1</sup>	W	A
Ⓐ ①	1500	75	7.20
Ⓐ ②	1430	82	7.92
Ⓐ ③	1395	83	8.15
Ⓐ ④	1445	81	7.83
Ⓑ ①	1700	105	4.40
Ⓑ ②	1595	111	4.60
Ⓑ ③	1550	112	4.68
Ⓑ ④	1635	109	4.52
Ⓒ ①	1800	115	2.40
Ⓒ ②	1655	121	2.50
Ⓒ ③	1610	123	2.60
Ⓒ ④	1690	119	2.50

Air performance measured according to: ISO 5801, Installation category A, with ebm-papst inlet ring without contact protection. Suction-side noise levels: LWA according to ISO 13347, L<sub>pA</sub> measured at 1 m distance from fan axis. The values given are applicable only under the specified measuring conditions and may differ depending on the installation conditions. In the event of deviation from the standard configuration, the parameters must be checked after installation! For detailed information see <http://www.ebmpapst.com/general-conditions>

- **Technical features:** See connection diagram p. 278/279
- **Cable exit:** Variable
- **Approvals:** EAC; CSA C22.2 No. 113; UL 507



Weight centrifugal fans



Centrifugal fans

kg

Inlet ring

R1G 280-RC75-02

2.3

98000-2-4013

R1G 280-RC71-02

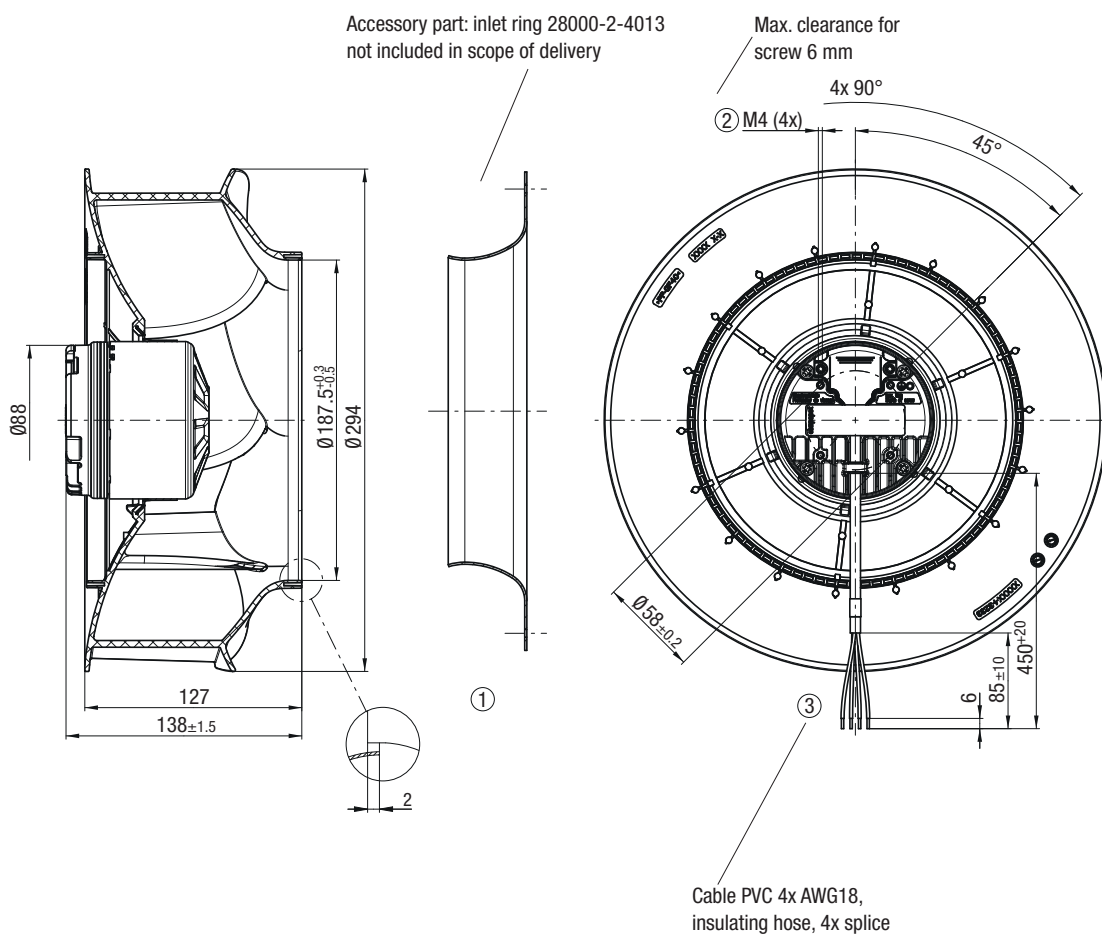
2.3

98000-2-4013

R1G 280-RC93-02

2.3

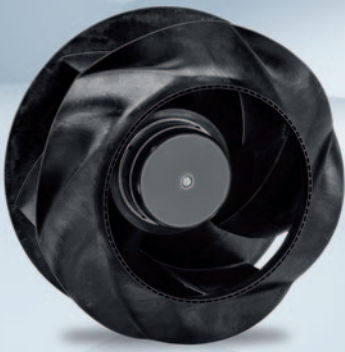
98000-2-4013



Max. 2190 m<sup>3</sup>/h

# DC centrifugal fans – RadiCal

Ø 280 mm



- **Material:** Impeller: PP plastic  
Rotor: Painted black
- **Number of blades:** 6
- **Direction of rotation:** Clockwise, looking towards rotor
- **Degree of protection:** IP 44, depending on installation and position
- **Insulation class:** "B"
- **Installation position:** Any
- **Condensation drainage holes:** None
- **Mode of operation:** Continuous operation (S1)
- **Bearings:** Maintenance-free ball bearings

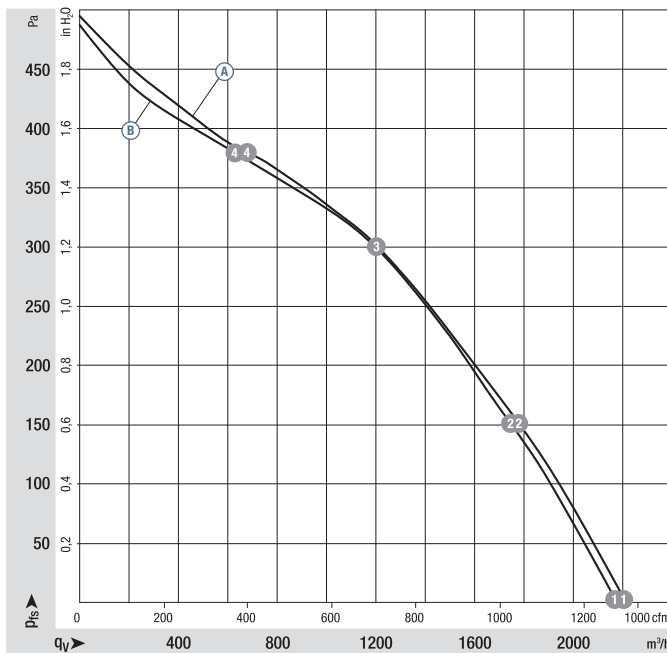
VBS0280RUNES

## Nominal data

Type	Motor	Curve	Nominal voltage VDC	Nominal voltage range VDC	Air flow m <sup>3</sup> /h	Nominal speed rpm <sup>-1</sup>	Power consumption W	Input current A	Sound pressure level dB(A)	Admissible amb. temp. °C	Technical features and connection diagram
<b>R3G 280</b>	M3G 074-CF	Ⓐ	24	16-28	2190	1900	142	5.90	67	-25...+60	p. 277 / J5)
<b>R3G 280</b>	M3G 074-CF	Ⓑ	48	36-57	2160	1910	140	2.90	67	-25...+60	p. 277 / J5)

Subject to change

## Curves:



	n rpm <sup>-1</sup>	P <sub>ed</sub> W	I A	L <sub>WA</sub> dB(A)
Ⓐ ①	1900	142	5.90	74
Ⓐ ②	1870	162	6.76	67
Ⓐ ③	1840	173	7.21	64
Ⓐ ④	1905	153	6.36	68
Ⓑ ①	1910	140	2.90	74
Ⓑ ②	1845	158	3.30	67
Ⓑ ③	1830	163	3.40	64
Ⓑ ④	1900	141	2.93	68

Air performance measured according to: ISO 5801, Installation category A, with ebm-papst inlet ring without contact protection. Suction-side noise levels: L<sub>WA</sub> according to ISO 13347, L<sub>vA</sub> measured at 1 m distance from fan axis. The values given are applicable only under the specified measuring conditions and may differ depending on the installation conditions. In the event of deviation from the standard configuration, the parameters must be checked after installation! For detailed information see <http://www.ebmpapst.com/general-conditions>



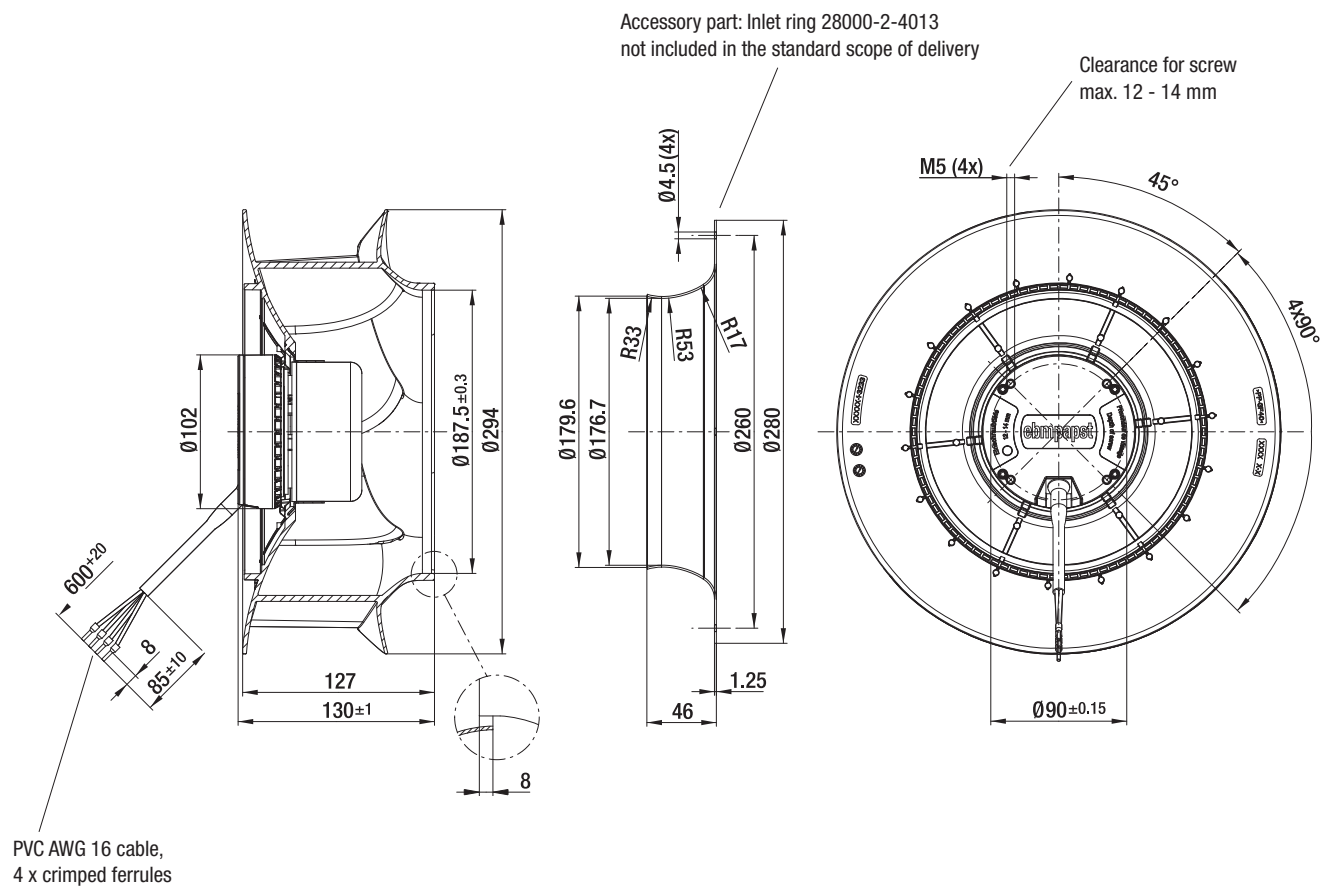
- **Technical features:** See connection diagram p. 277
- **Cable exit:** Variable
- **Conformity with standard(s):** EN 60950-1
- **Approvals:** EAC



Weight centrifugal fans



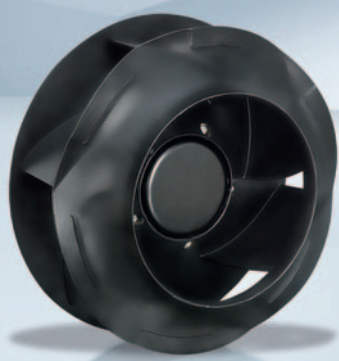
Centrifugal fans	kg	Inlet ring
R3G 280-RN30 -01	2.4	28000-2-4013
R3G 280-RNB1 -02	2.4	28000-2-4013



Max. 2380 m<sup>3</sup>/h

# DC centrifugal fans – RadiCal

Ø 310 mm



- **Material:** Impeller: PP plastic  
Rotor: Painted black
- **Number of blades:** 6
- **Direction of rotation:** Clockwise, looking towards rotor
- **Degree of protection:** IP 44, depending on installation and position
- **Insulation class:** "B"
- **Installation position:** Any
- **Condensation drainage holes:** None
- **Mode of operation:** Continuous operation (S1)
- **Bearings:** Maintenance-free ball bearings

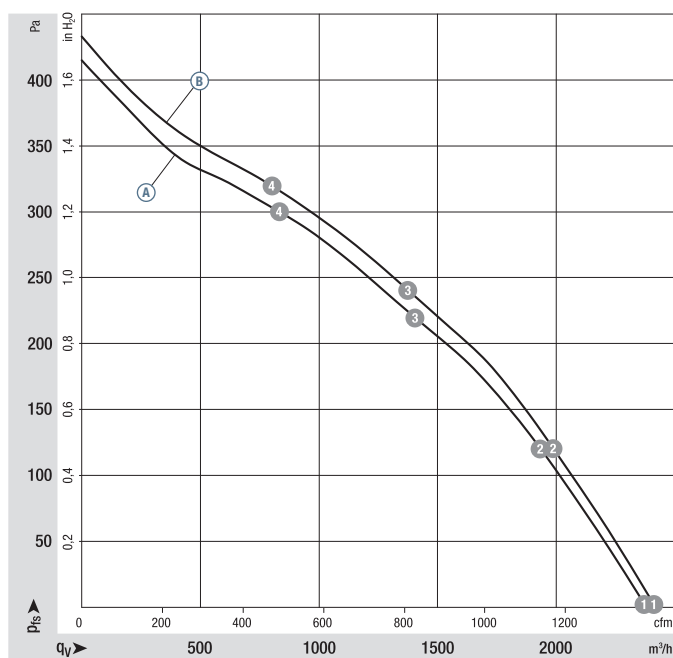
VBS031ORUNES

## Nominal data

Type	Motor	Curve	Nominal voltage VDC	Nominal voltage range VDC	Air flow m <sup>3</sup> /h	Nominal speed rpm <sup>-1</sup>	Power consumption W	Input current A	Sound pressure level dB(A)	Admissible amb. temp. °C	Technical features and connection diagram
<b>R3G 310</b>	M3G 074-CF	Ⓐ	24	16-28	2310	1580	108	4.50	64	-25...+60	p. 277 / J5)
<b>R3G 310</b>	M3G 074-CF	Ⓑ	48	36-57	2380	1620	123	2.60	64	-25...+60	p. 277 / J5)

Subject to change

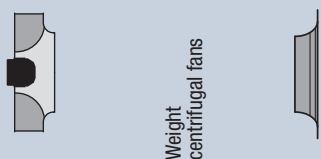
## Curves:



	n rpm <sup>-1</sup>	P <sub>ed</sub> W	I A	L <sub>wA</sub> dB(A)
Ⓐ 1	1580	108	4.50	70
Ⓐ 2	1540	145	6.03	67
Ⓐ 3	1520	152	6.34	63
Ⓐ 4	1550	143	5.95	65
Ⓑ 1	1620	123	2.60	70
Ⓑ 2	1570	147	3.07	66
Ⓑ 3	1545	156	3.26	63
Ⓑ 4	1580	144	3.01	66

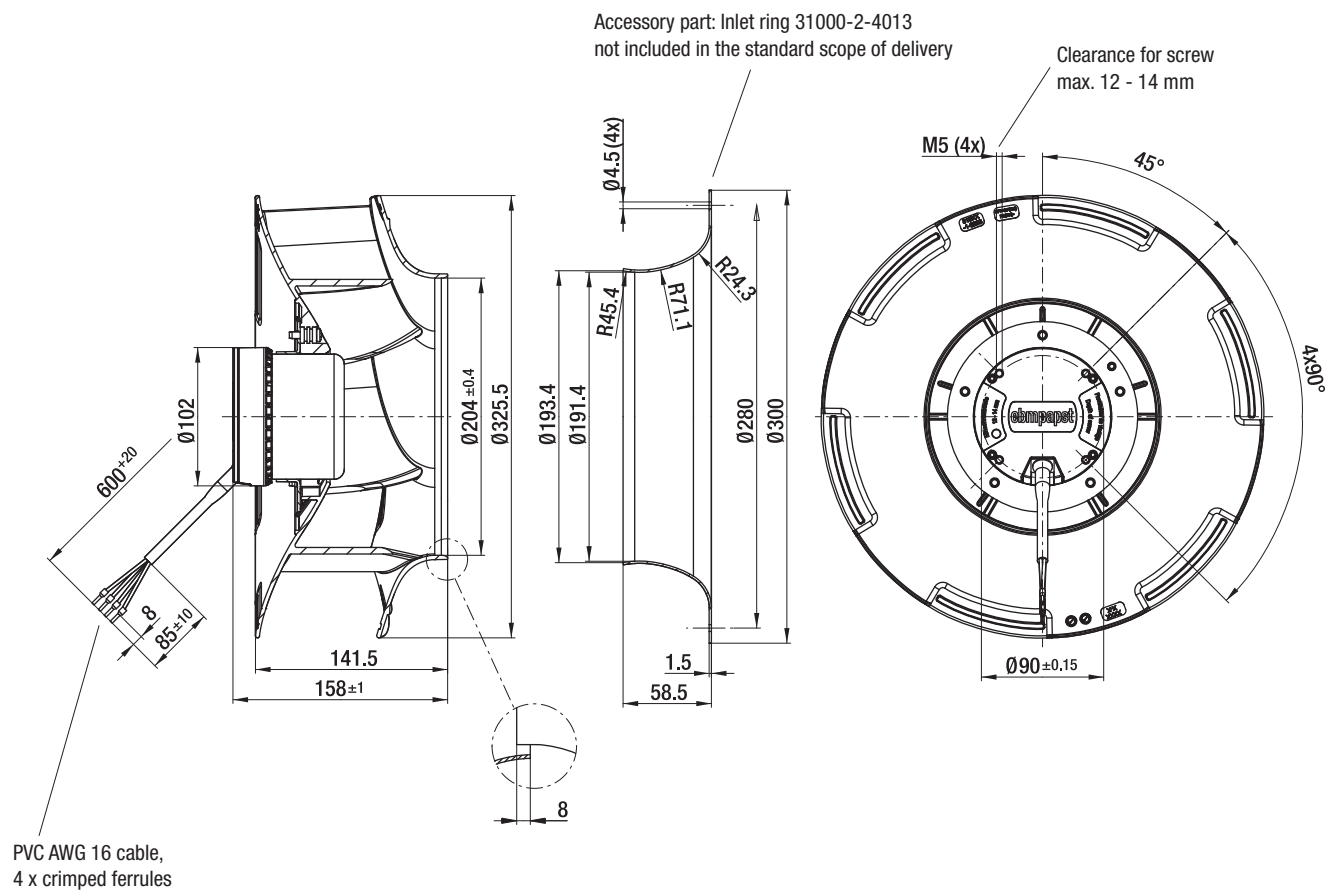
Air performance measured according to: ISO 5801, Installation category A, with ebm-papst inlet ring without contact protection. Suction-side noise levels: L<sub>wA</sub> according to ISO 13347, L<sub>vA</sub> measured at 1 m distance from fan axis. The values given are applicable only under the specified measuring conditions and may differ depending on the installation conditions. In the event of deviation from the standard configuration, the parameters must be checked after installation! For detailed information see <http://www.ebmpapst.com/general-conditions>

- **Technical features:** See connection diagram p. 277
- **Cable exit:** Variable
- **Conformity with standard(s):** EN 60950-1
- **Approvals:** EAC



Weight centrifugal fans

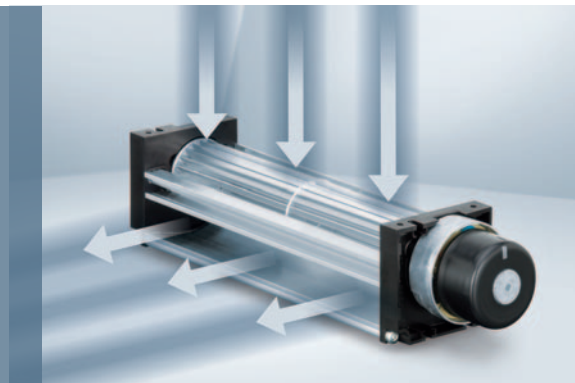
Centrifugal fans	kg	Inlet ring
R3G 310-RN99 -01	2.8	31000-2-4013
R3G 310-RN98 -02	2.8	31000-2-4013



Max. 155 m<sup>3</sup>/h

# DC tangential fans

201...413 x 50 x 48 mm



- **Material:** Housing: Aluminum  
Housing side parts: Plastic  
Impeller: Aluminum
- **Direction of air flow:** See photo
- **Connection:** via single wires AWG 24, TR 64
- **Highlights:** Motor with ball bearing system  
Impeller retaining plate with sleeve bearing
- **Weight:** 235 / 290 / 380 / 415 g
- **Possible special versions:**  
(See chapter DC fans - specials)
  - Speed signal
  - Moisture protection

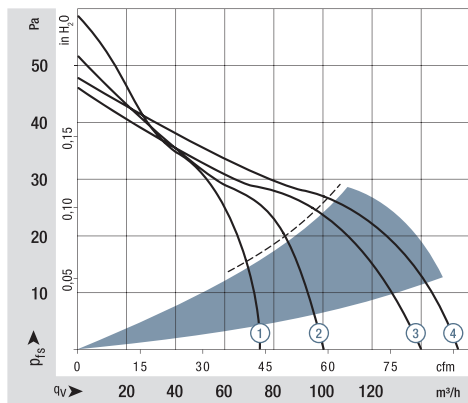
Nominal data	Air flow		Nominal voltage	Voltage range		Sound pressure level		Sound power level		Sinter sleeve bearings		Power consumption	Temperature range		Service life L <sub>10</sub> (40 °C)		Life expectancy L <sub>10</sub> IPC (40 °C) see page 15	Curve
	m <sup>3</sup> /h	cfm		VDC	VDC	db(A)	Bel(A)	□/■	Watts	°C	Hours		Hours					
Series QG 030 VTS0030XUFBS VTS0030XUFCS																		
QG 030-148/12	75	44	12	8...14	49	5.7	□/■	6.2	-20...+60	30 000 / 20 000	50 000	①						
QG 030-198/12	100	59	12	8...14	51	5.8	□/■	8,0	-20...+60	30 000 / 20 000	50 000	②						
QG 030-303/12	140	82	12	8...14	51	5.8	□/■	8.7	-20...+60	30 000 / 20 000	50 000	③						
QG 030-353/12	155	91	12	8...14	51	5.9	□/■	9.6	-20...+60	30 000 / 20 000	50 000	④						
QG 030-148/14	75	44	24	16...28	49	5.7	□/■	6.2	-20...+60	30 000 / 20 000	50 000	①						
QG 030-198/14	100	59	24	16...28	51	5.8	□/■	8.0	-20...+60	30 000 / 20 000	50 000	②						
QG 030-303/14	140	82	24	16...28	51	5.8	□/■	8.7	-20...+60	30 000 / 20 000	50 000	③						
QG 030-353/14	155	91	24	16...28	51	5.9	□/■	9.6	-20...+60	30 000 / 20 000	50 000	④						

Subject to change

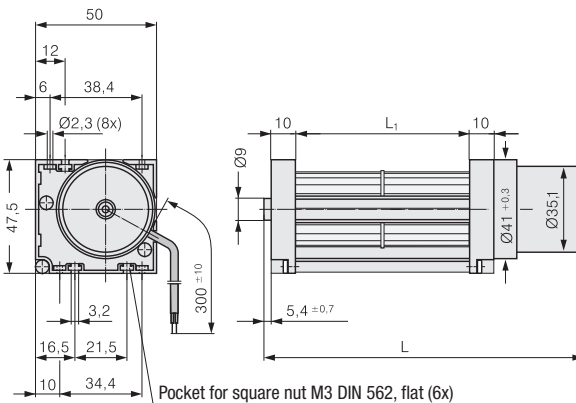
The values for service life were recorded with the fan installed horizontally.

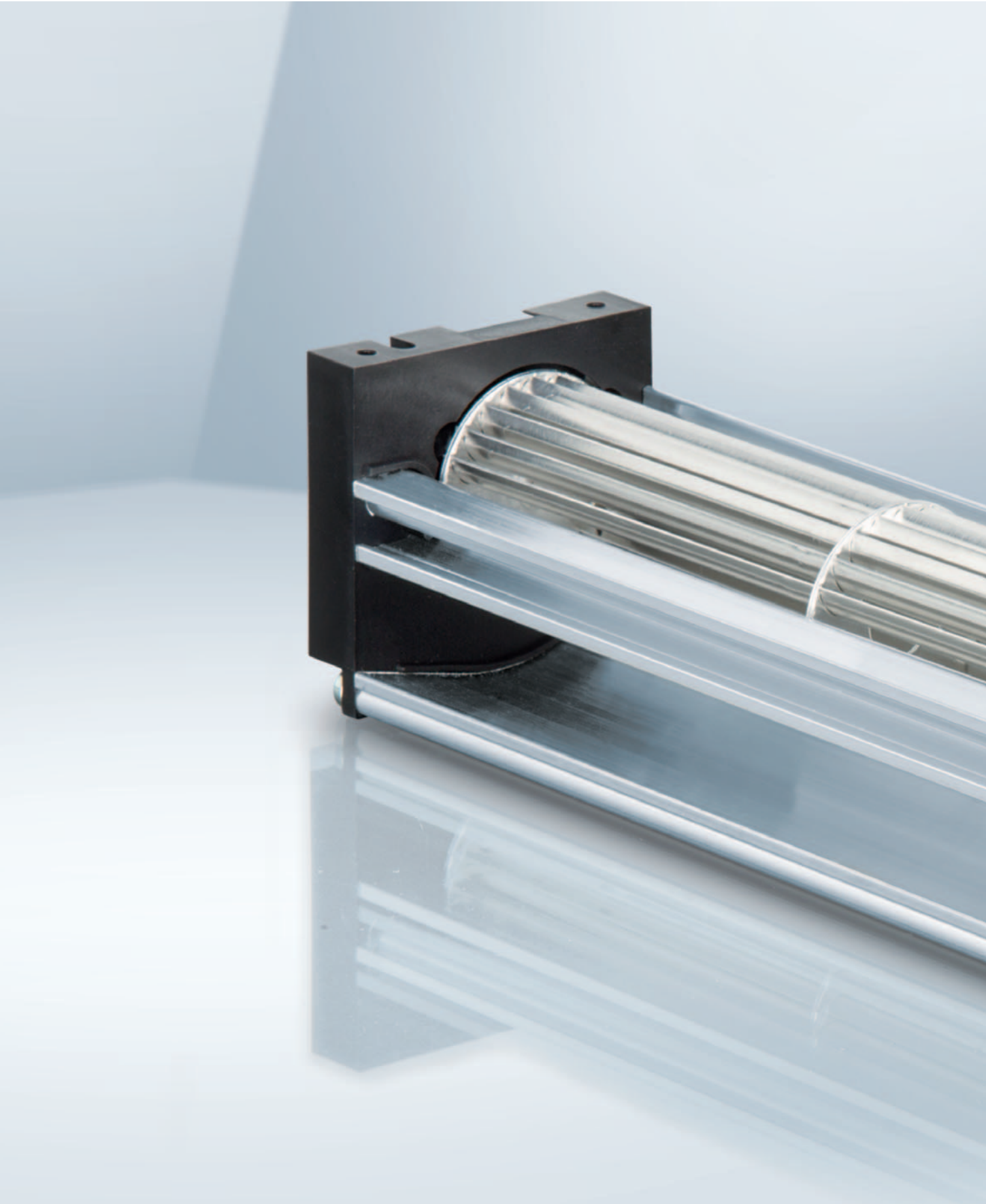
Type	Dimension:	L	L <sub>1</sub>	Mass
QG 030-148/ ..		203.4 <sup>+1.5</sup>	148	235 g
QG 030-198/ ..		260.4 <sup>+1.5</sup>	198	290 g
QG 030-303/ ..		365.4 <sup>+1.5</sup>	303	380 g
QG 030-353/ ..		415.4 <sup>+1.5</sup>	353	415 g

----- Tangential fans are suitable only for operation with high air flow and low back-pressure.



Air performance measured according to: ISO 5801.  
Installation category A, without contact protection.  
Noise: Total sound power level LWA ISO 10302 measured on a hemisphere with a radius of 2 m.  
Sound pressure level LpA measured at 1 m distance to fan axis.  
The values given are applicable only under the specified measuring conditions and may differ depending on the installation conditions. In the event of deviation from the standard configuration, the parameters must be checked after installation!  
For detailed information see <http://www.ebmpapst.com/general conditions>

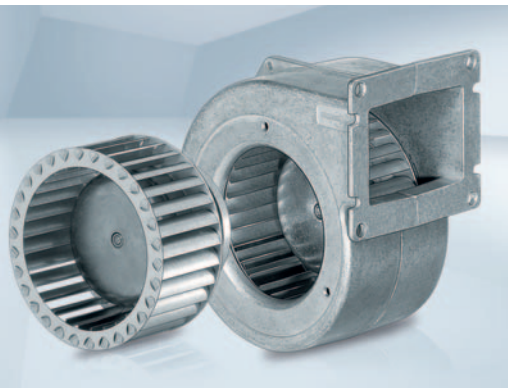




Max. 95 m<sup>3</sup>/h

# DC centrifugal fans and blowers

Ø 85 mm



- **Material:** Housing: Die-cast aluminum  
Impeller: Hot-dip galvanized sheet steel  
Rotor: Galvanized
- **Direction of rotation:** Clockwise, looking towards rotor
- **Degree of protection:** IP 22
- **Insulation class:** "B"
- **Installation position:** Any
- **Condensation drainage holes:** None
- **Mode of operation:** Continuous operation (S1)
- **Bearings:** Maintenance-free ball bearings

VHS0085XUJCS

## Nominal data

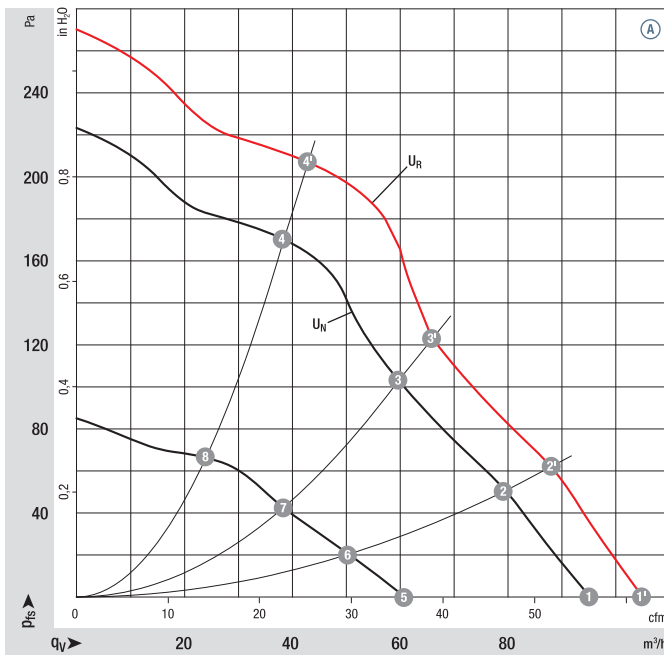
Type	Motor	Curve	Nominal voltage VDC	Nominal voltage range VDC	Air flow m <sup>3</sup> /h	Nominal speed rpm <sup>-1</sup>	Power consumption W	Input current A	Sound pressure level dB(A)	Min. back-pressure Pa	Admissible amb. temp. °C	Technical features and connection diagram
*1G 085	M1G 045-BE	Ⓐ	24	16-28	95	2850	14	0.64	57	0	-25...+60	p. 274 / G)

Subject to change

### Curves:

U<sub>N</sub> = nominal voltage (24 V / 48 V)

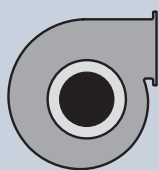
U<sub>R</sub> = over-voltage (28 V / 57 V)



	n rpm <sup>-1</sup>	P <sub>ed</sub> W	L <sub>pA</sub> dB(A)	η <sub>IL</sub> %
Ⓐ 1'	3180	19	59	—
Ⓐ 2'	3300	16	57	28
Ⓐ 3'	3500	15	57	32
Ⓐ 4'	3800	12	57	37
Ⓐ 1	2850	14	57	—
Ⓐ 2	3000	12	55	28
Ⓐ 3	3180	11	55	32
Ⓐ 4	3400	9	54	37
Ⓐ 5	1890	5	46	—
Ⓐ 6	1970	4	44	25
Ⓐ 7	2070	4	44	30
Ⓐ 8	2170	3	42	33

Air performance measured according to: ISO 5801, Installation category A, with ebm-papst scroll housing without contact protection. Suction-side noise levels: L<sub>WA</sub> according to ISO 13347, L<sub>pA</sub> measured at 1 m distance from fan axis. The values given are applicable only under the specified measuring conditions and may differ depending on the installation conditions. In the event of deviation from the standard configuration, the parameters must be checked after installation! For detailed information see <http://www.ebmpapst.com/general-conditions>

- **Technical features:** See connection diagram p. 274
- **Cable exit:** Axial
- **Conformity with standard(s):** EN 60950-1
- **Approvals:** EAC



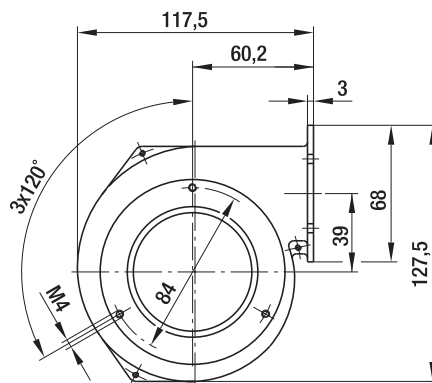
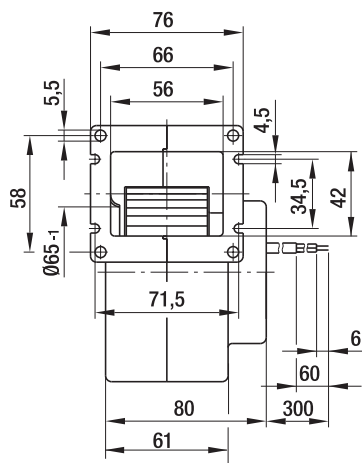
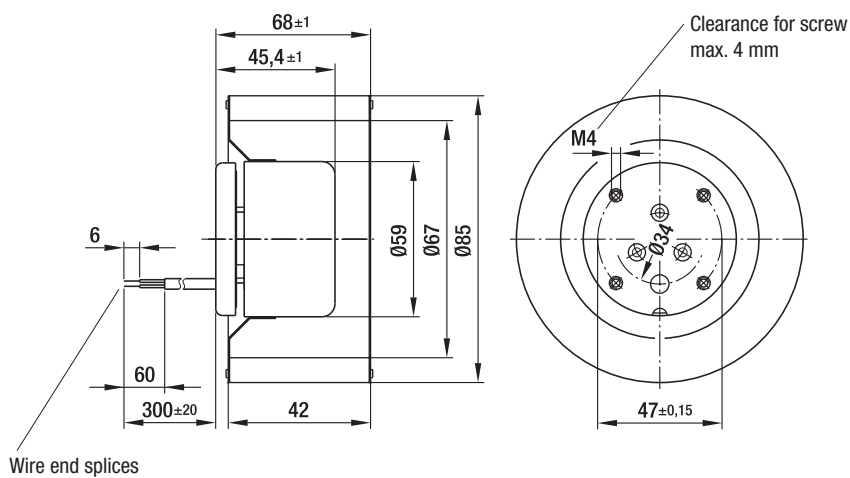
Weight centrifugal fans

Centrifugal blowers with flange

kg

G1G 085-AB05 -01

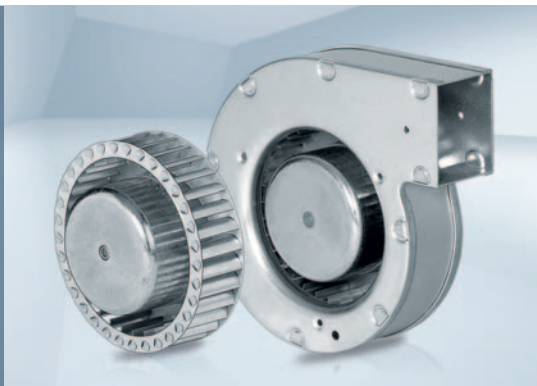
0.8



Max. 95 m<sup>3</sup>/h

# DC centrifugal fans and blowers

Ø 97 mm



- **Material:** Housing: Hot-dip galvanized sheet steel  
Impeller: Hot-dip galvanized sheet steel  
Rotor: Galvanized
- **Direction of rotation:** Clockwise, looking towards rotor
- **Degree of protection:** IP 22
- **Insulation class:** "B"
- **Installation position:** Any
- **Condensation drainage holes:** None
- **Mode of operation:** Continuous operation (S1)
- **Bearings:** Maintenance-free ball bearings

VFS0097XUJCS  
VHS0097XUJCS

## Nominal data

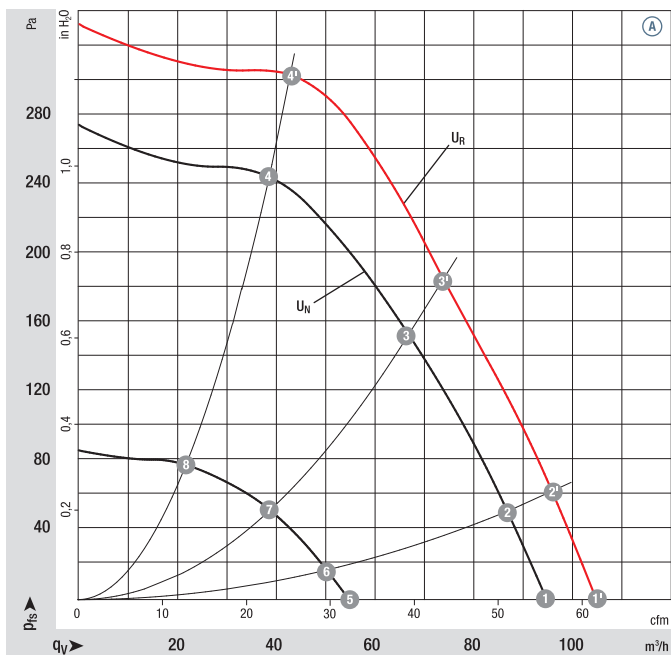
Type	Motor	Curve	Nominal voltage VDC	Nominal voltage range VDC	Air flow m <sup>3</sup> /h	Nominal speed rpm <sup>-1</sup>	Power consumption W	Input current A	Sound pressure level dB(A)	Min. back-pressure Pa	Admissible amb. temp. °C	Technical features and connection diagram
*1G 097	M1G 045-BE	Ⓐ	24	16-28	95	2650	16	0.75	59	0	-25...+60	p. 274 / G)
*1G 097	M1G 045-BE	Ⓐ	48	36-57	95	2650	16	0.38	59	0	-25...+60	p. 274 / G)

Subject to change

### Curves:

U<sub>N</sub> = nominal voltage  
(24 V / 48 V)

U<sub>R</sub> = over-voltage  
(28 V / 57 V)



	n rpm <sup>-1</sup>	P <sub>ed</sub> W	L <sub>pA</sub> dB(A)	η <sub>IL</sub> %
Ⓐ 1'	2920	22	62	—
Ⓐ 2'	3030	21	61	41
Ⓐ 3'	3300	17	59	48
Ⓐ 4'	3700	13	58	48
Ⓐ 1	2650	16	59	—
Ⓐ 2	2730	15	58	41
Ⓐ 3	2960	13	56	48
Ⓐ 4	3290	10	55	48
Ⓐ 5	1615	4	45	—
Ⓐ 6	1650	4	45	38
Ⓐ 7	1745	4	43	46
Ⓐ 8	1880	3	42	47

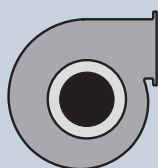
Air performance measured according to: ISO 5801, Installation category A, with ebm-papst scroll housing without contact protection. Suction-side noise levels: L<sub>WA</sub> according to ISO 13347, L<sub>pA</sub> measured at 1 m distance from fan axis. The values given are applicable only under the specified measuring conditions and may differ depending on the installation conditions. In the event of deviation from the standard configuration, the parameters must be checked after installation! For detailed information see <http://www.ebmpapst.com/general-conditions>



- **Technical features:** See connection diagram p. 274
- **Cable exit:** Axial
- **Conformity with standard(s):** EN 60950-1
- **Approvals:** EAC



Weight centrifugal fans



Weight centrifugal blowers

**Centrifugal fans**

**kg**

**Centrifugal blowers with flange**

**kg**

**R1G 097-AA05 -01**

0.5

**G1G 097-AA05 -01**

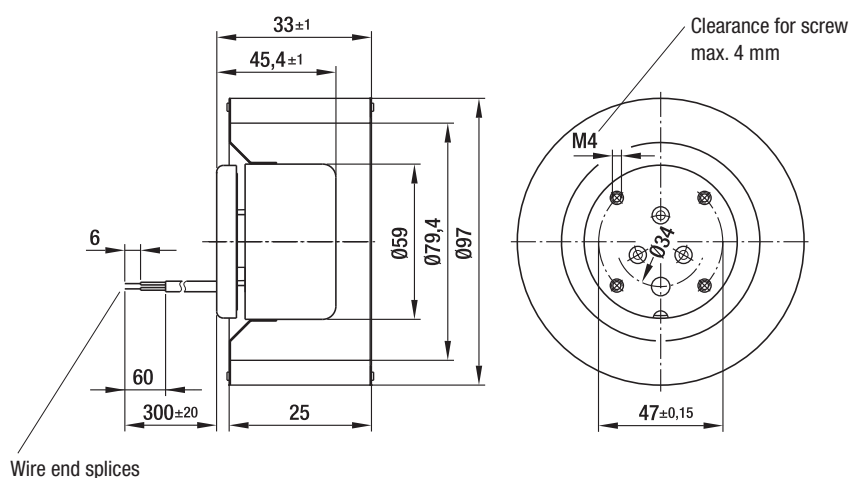
0.8

**R1G 097-AA07 -07**

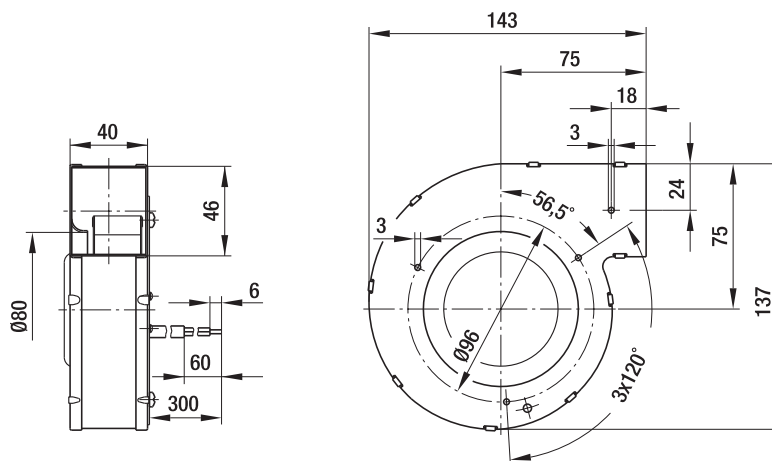
0.5

**G1G 097-AA07 -01**

0.8



Wire end splices



Max. 200 m<sup>3</sup>/h

# DC centrifugal fans and blowers

Ø 108 mm



- **Material:** Housing: Die-cast aluminum  
Impeller: Hot-dip galvanized sheet steel  
Rotor: Painted black
- **Direction of rotation:** Clockwise, looking towards rotor
- **Degree of protection:** IP 22
- **Insulation class:** "B"
- **Installation position:** Any
- **Condensation drainage holes:** None
- **Mode of operation:** Continuous operation (S1)
- **Bearings:** Maintenance-free ball bearings

VFS0108XULCS  
VHS0108XULCS

## Nominal data

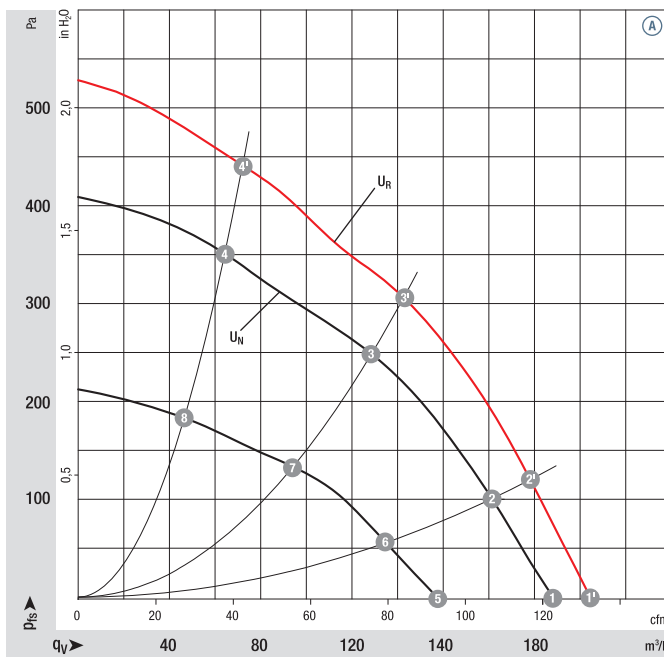
Type	Motor	Curve	Nominal voltage VDC	Nominal voltage range VDC	Air flow m <sup>3</sup> /h	Nominal speed rpm <sup>-1</sup>	Power consumption W	Input current A	Sound pressure level dB(A)	Min. back-pressure Pa	Admissible amb. temp. °C	Technical features and connection diagram
*1G 108	M1G 055-BD	Ⓐ	24	16-28	200	3000	42	2.00	65	0	-25...+60	p. 274 / G)
*1G 108	M1G 055-BD	Ⓐ	48	36-57	200	3000	42	1.00	65	0	-25...+60	p. 274 / G)

Subject to change

### Curves:

U<sub>N</sub> = nominal voltage  
(24 V / 48 V)

U<sub>R</sub> = over-voltage  
(28 V / 57 V)



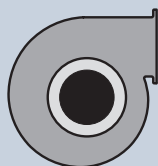
	n rpm <sup>-1</sup>	P <sub>ed</sub> W	L <sub>pA</sub> dB(A)	η <sub>IL</sub> %
Ⓐ 1'	3230	55	67	—
Ⓐ 2'	3410	52	66	33
Ⓐ 3'	3800	43	65	41
Ⓐ 4'	4100	35	64	33
Ⓐ 1	3000	42	65	—
Ⓐ 2	3140	40	64	33
Ⓐ 3	3420	32	63	41
Ⓐ 4	3690	26	63	33
Ⓐ 5	2300	20	61	—
Ⓐ 6	2380	17	58	33
Ⓐ 7	2550	14	55	41
Ⓐ 8	2720	11	55	33

Air performance measured according to: ISO 5801, Installation category A, with ebm-papst scroll housing without contact protection. Suction-side noise levels: L<sub>WA</sub> according to ISO 13347, L<sub>pA</sub> measured at 1 m distance from fan axis. The values given are applicable only under the specified measuring conditions and may differ depending on the installation conditions. In the event of deviation from the standard configuration, the parameters must be checked after installation! For detailed information see <http://www.ebmpapst.com/general-conditions>

- **Technical features:** See connection diagram p. 274
- **Cable exit:** Axial
- **Protection class:** I
- **Conformity with standard(s):** EN 60950-1
- **Approvals:** Ⓐ (24 VDC) UL, CSA, Ⓐ (48 VDC) CCC

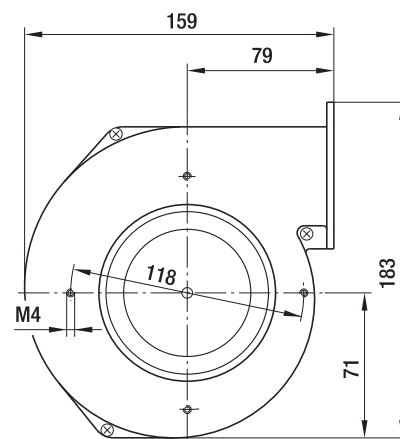
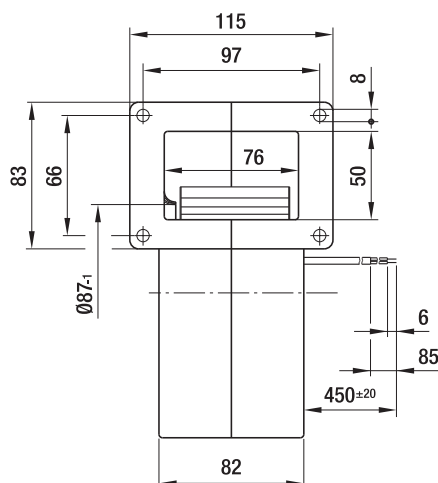
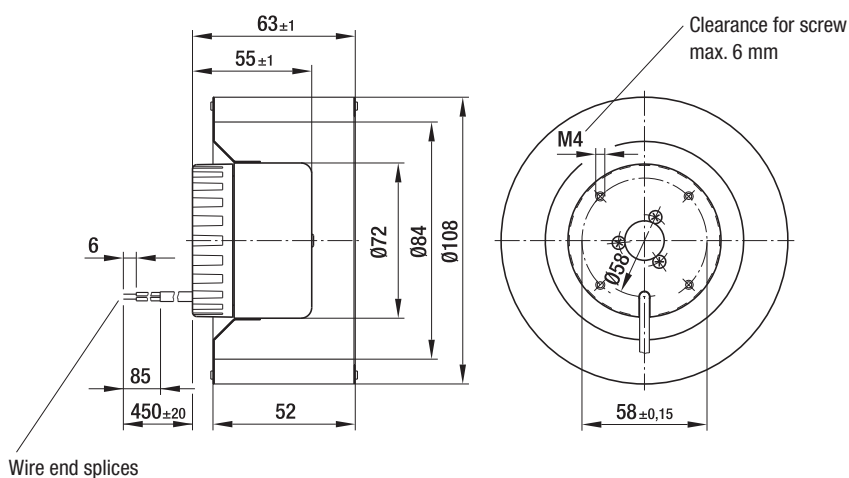


Weight centrifugal fans



Weight centrifugal blowers

Centrifugal fans	kg	Centrifugal blowers with flange	kg
R1G 108-AB17 -02	0.7	G1G 108-AB17 -02	1.4
R1G 108-AB41 -02	0.7	G1G 108-AB41 -02	1.4



Max. 255 m<sup>3</sup>/h

# DC centrifugal fans and blowers

Ø 120 mm



- **Material:** Housing: Die-cast aluminum  
Impeller: Hot-dip galvanized sheet steel  
Rotor: Galvanized
- **Direction of rotation:** Clockwise, looking towards rotor
- **Degree of protection:** IP 22
- **Insulation class:** "B"
- **Installation position:** Any
- **Condensation drainage holes:** None
- **Mode of operation:** Continuous operation (S1)
- **Bearings:** Maintenance-free ball bearings

VFS0120XULCS  
VHS0120XULCS

### Nominal data

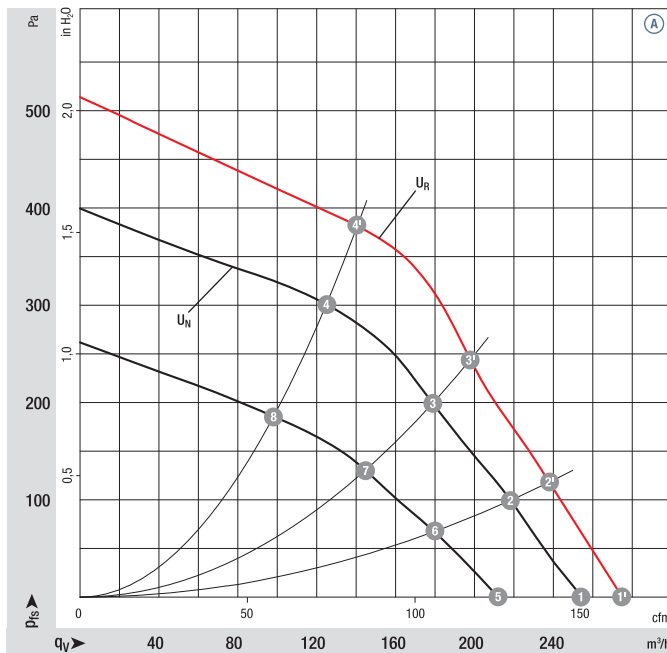
Type	Motor	Curve	Nominal voltage		Air flow m <sup>3</sup> /h	Nominal speed rpm <sup>-1</sup>	Power consumption W	Input current A	Sound pressure level dB(A)	Min. back-pressure Pa	Admissible amb. temp. °C	Technical features and connection diagram
			VDC	VDC								
*1G 120	M1G 055-BD	Ⓐ	24	16-28	255	2200	40	1.90	62	0	-25...+60	p. 274 / G)
*1G 120	M1G 055-BD	Ⓐ	48	36-57	255	2200	40	0.95	62	0	-25...+60	p. 274 / G)

Subject to change

### Curves:

U<sub>N</sub> = nominal  
voltage  
(24 V / 48 V)

U<sub>R</sub> = over-  
voltage  
(28 V / 57 V)

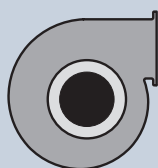


Air performance measured according to: ISO 5801, Installation category A, with ebm-papst scroll housing without contact protection. Suction-side noise levels: L<sub>WA</sub> according to ISO 13347, L<sub>PA</sub> measured at 1 m distance from fan axis. The values given are applicable only under the specified measuring conditions and may differ depending on the installation conditions. In the event of deviation from the standard configuration, the parameters must be checked after installation! For detailed information see <http://www.ebmpapst.com/general-conditions>

- **Technical features:** See connection diagram p. 274
- **Cable exit:** Axial
- **Protection class:** I
- **Conformity with standard(s):** EN 60950-1
- **Approvals:** Ⓐ (24 VDC) UL, CSA, Ⓐ (48 VDC) CCC

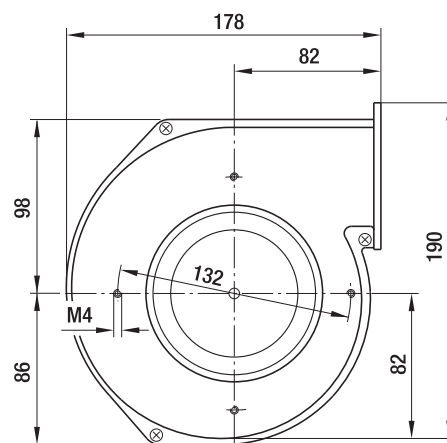
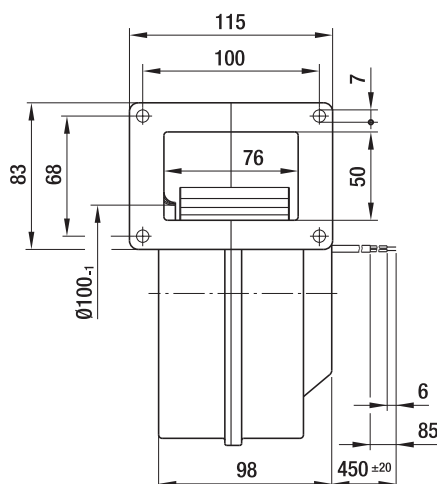
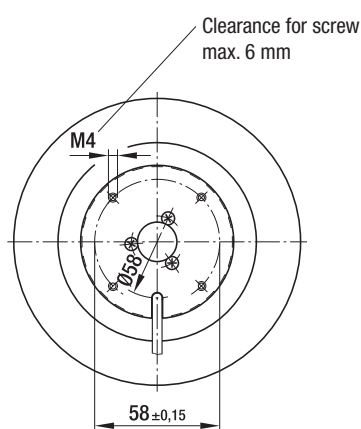
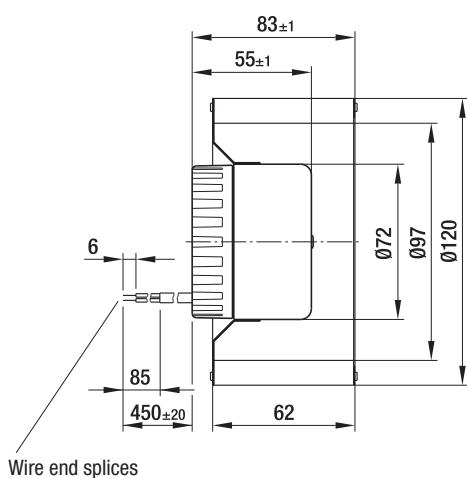


Weight centrifugal fans



Weight centrifugal blowers

Centrifugal fans	kg	Centrifugal blowers with flange	kg
R1G 120-AB67 -02	0.8	G1G 120-AB67 -02	1.6
R1G 120-AB71 -02	0.8	G1G 120-AB71 -02	1.6



Max. 225 m<sup>3</sup>/h

# DC centrifugal fans and blowers

Ø 133 mm



- **Material:** Housing: Hot-dip galvanized sheet steel  
Impeller: Hot-dip galvanized sheet steel  
Rotor: Galvanized
- **Direction of rotation:** Clockwise, looking towards rotor
- **Degree of protection:** IP 22
- **Insulation class:** "B"
- **Installation position:** Any
- **Condensation drainage holes:** None
- **Mode of operation:** Continuous operation (S1)
- **Bearings:** Maintenance-free ball bearings

VFS0133XULCS  
VHS0133XULCS

## Nominal data

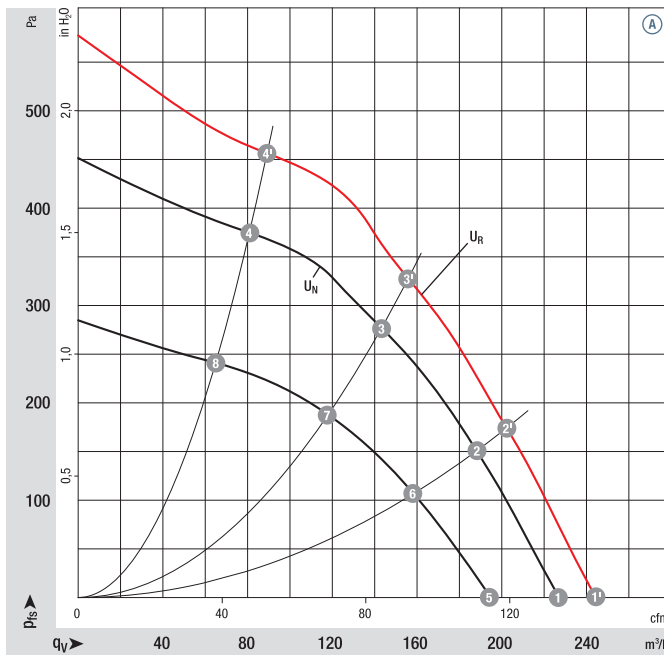
Type	Motor	Curve	Nominal voltage VDC	Nominal voltage range VDC	Air flow m <sup>3</sup> /h	Nominal speed rpm <sup>-1</sup>	Power consumption W	Input current A	Sound pressure level dB(A)	Min. back-pressure Pa	Admissible amb. temp. °C	Technical features and connection diagram
*1G 133	M1G 055-BD	Ⓐ	24	16-28	225	2000	40	2.20	64	0	-25...+60	p. 274 / G)
*1G 133	M1G 055-BD	Ⓐ	48	36-57	225	2000	40	1.10	64	0	-25...+60	p. 274 / G)

Subject to change

### Curves:

U<sub>N</sub> = nominal voltage  
(24 V / 48 V)

U<sub>R</sub> = over-voltage  
(28 V / 57 V)



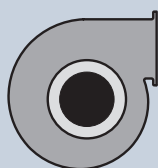
	n rpm <sup>-1</sup>	P <sub>ed</sub> W	L <sub>pA</sub> dB(A)	η <sub>IL</sub> %
Ⓐ 1'	2170	57	66	—
Ⓐ 2'	2410	51	66	47
Ⓐ 3'	2750	44	64	49
Ⓐ 4'	3200	36	66	32
Ⓐ 1	2000	45	64	—
Ⓐ 2	2230	40	64	49
Ⓐ 3	2540	35	62	51
Ⓐ 4	2920	27	63	33
Ⓐ 5	1750	28	60	—
Ⓐ 6	1910	24	59	50
Ⓐ 7	2120	20	58	53
Ⓐ 8	2370	15	59	35

Air performance measured according to: ISO 5801, Installation category A, with ebm-papst scroll housing without contact protection. Suction-side noise levels: L<sub>WA</sub> according to ISO 13347, L<sub>pA</sub> measured at 1 m distance from fan axis. The values given are applicable only under the specified measuring conditions and may differ depending on the installation conditions. In the event of deviation from the standard configuration, the parameters must be checked after installation! For detailed information see <http://www.ebmpapst.com/general-conditions>

- **Technical features:** See connection diagram p. 274
- **Cable exit:** Lateral
- **Protection class:** I
- **Conformity with standard(s):** EN 60950-1
- **Approvals:** Ⓐ (24 VDC) UL, CSA, Ⓐ (48 VDC) CCC

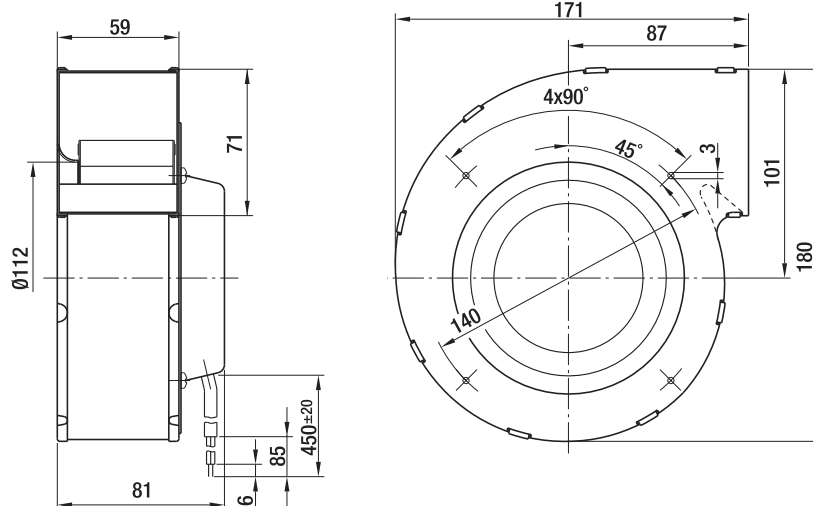
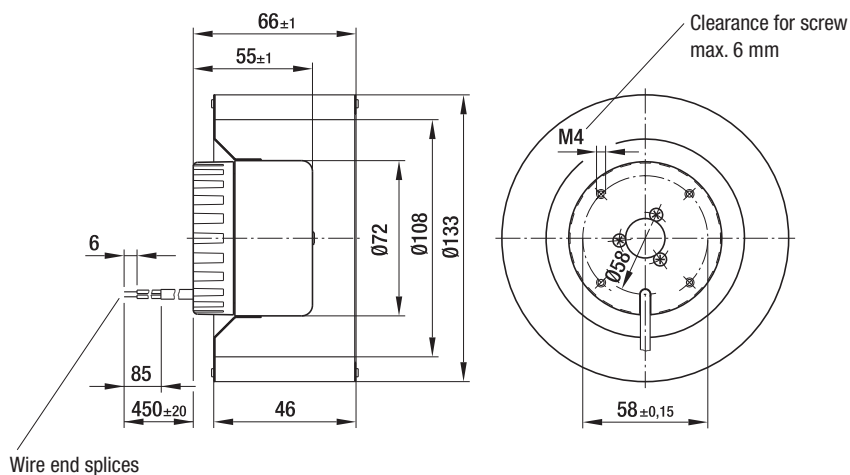


Weight centrifugal fans



Weight centrifugal blowers

Centrifugal fans	kg	Centrifugal blowers with flange	kg
R1G 133-AE19 -02	0.7	G1G 133-DE19 -02	1.3
R1G 133-AE03 -02	0.7	G1G 133-DE03 -02	1.3



Max. 410 m<sup>3</sup>/h

# DC centrifugal fans and blowers

Ø 140 mm



- **Material:** Housing: Die-cast aluminum  
Impeller: Hot-dip galvanized sheet steel  
Rotor: Painted black
- **Direction of rotation:** Clockwise, looking towards rotor
- **Degree of protection:** IP 22
- **Insulation class:** "B"
- **Installation position:** Any
- **Condensation drainage holes:** None
- **Mode of operation:** Continuous operation (S1)
- **Bearings:** Maintenance-free ball bearings

VFS0140XULES  
VHS0140XULES

## Nominal data

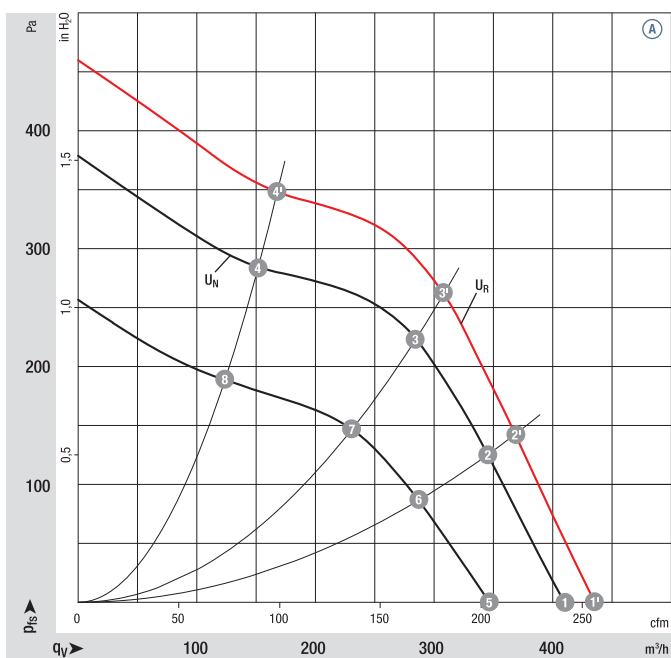
Type	Motor	Curve	Nominal voltage		Air flow m <sup>3</sup> /h	Nominal speed rpm <sup>-1</sup>	Power consumption W	Input current A	Sound pressure level dB(A)	Min. back-pressure Pa	Admissible amb. temp. °C	Technical features and connection diagram
			VDC	VDC								
*1G 140	M1G055-BD	Ⓐ	24	16-28	400	1750	54	2.50	63	0	-25...+60	p. 274 / G)
*1G 140	M1G055-BD	Ⓐ	48	36-57	410	1750	54	1.30	63	0	-25...+60	p. 274 / G)

Subject to change

### Curves:

U<sub>N</sub> = nominal  
voltage  
(24 V / 48 V)

U<sub>R</sub> = over-  
voltage  
(28 V / 57 V)



	n rpm <sup>-1</sup>	P <sub>ed</sub> W	L <sub>pA</sub> dB(A)	η <sub>IL</sub> %
Ⓐ 1'	1850	65	64	—
Ⓐ 2'	2020	61	61	50
Ⓐ 3'	2200	57	59	54
Ⓐ 4'	2550	43	60	40
Ⓐ 1	1750	54	63	—
Ⓐ 2	1900	50	59	51
Ⓐ 3	2030	45	58	54
Ⓐ 4	2310	32	58	40
Ⓐ 5	1500	34	60	—
Ⓐ 6	1580	29	56	50
Ⓐ 7	1670	25	54	53
Ⓐ 8	1880	19	53	41

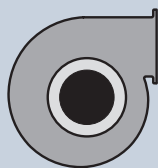
Air performance measured according to: ISO 5801, Installation category A, with ebm-papst scroll housing without contact protection. Suction-side noise levels: L<sub>WA</sub> according to ISO 13347, L<sub>PA</sub> measured at 1 m distance from fan axis. The values given are applicable only under the specified measuring conditions and may differ depending on the installation conditions. In the event of deviation from the standard configuration, the parameters must be checked after installation! For detailed information see <http://www.ebmpapst.com/general-conditions>



- **Technical features:** See connection diagram p. 274
- **Cable exit:** Axial
- **Protection class:** I
- **Conformity with standard(s):** EN 60950-1
- **Approvals:** Ⓐ (48 VDC) CCC

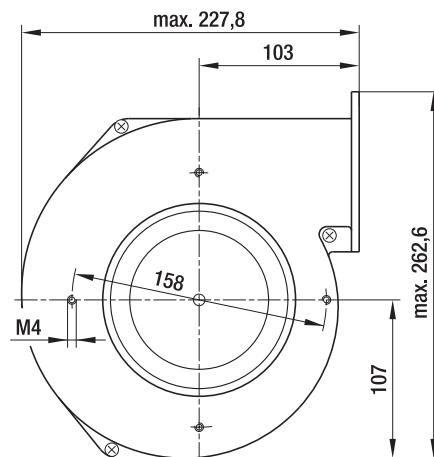
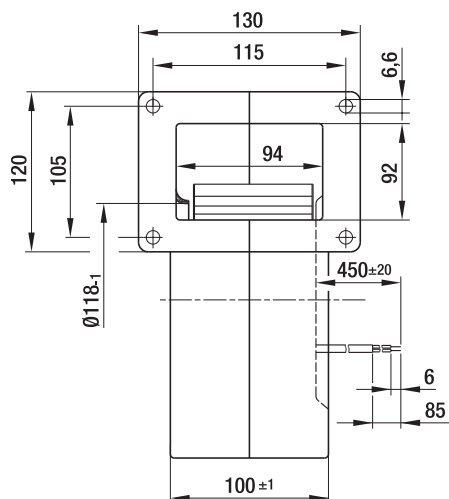
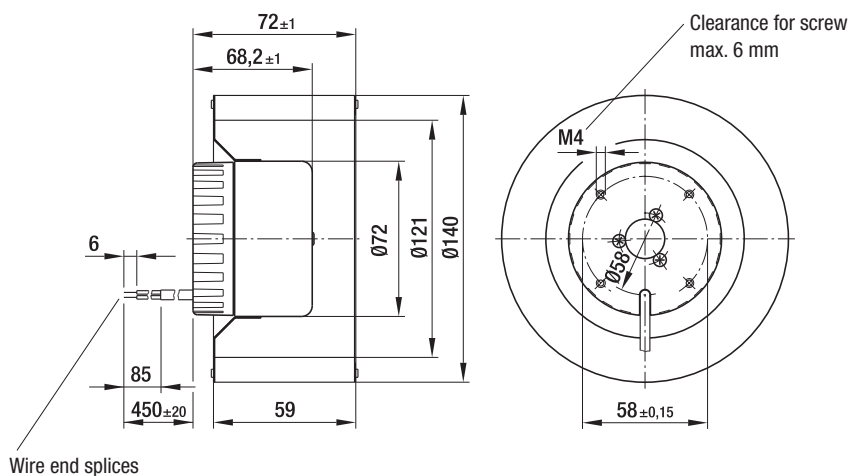


Weight centrifugal fans



Weight centrifugal blowers

Centrifugal fans	kg	Centrifugal blowers with flange	kg
R1G 140-AV17 -02	1.0	G1G 140-AV17 -02	2.3
R1G 140-AV21 -02	1.0	G1G 140-AV21 -02	2.3



Max. 470 m<sup>3</sup>/h

# DC centrifugal fans and blowers

Ø 146 mm



- **Material:** Housing: Die-cast aluminum  
Impeller: Hot-dip galvanized sheet steel  
Rotor: Painted black
- **Direction of rotation:** Clockwise, looking towards rotor
- **Degree of protection:** IP 42
- **Insulation class:** "B"
- **Installation position:** Any
- **Condensation drainage holes:** None
- **Mode of operation:** Continuous operation (S1)
- **Bearings:** Maintenance-free ball bearings

VFS0146XUNCS  
VHS0146XUNCS

## Nominal data

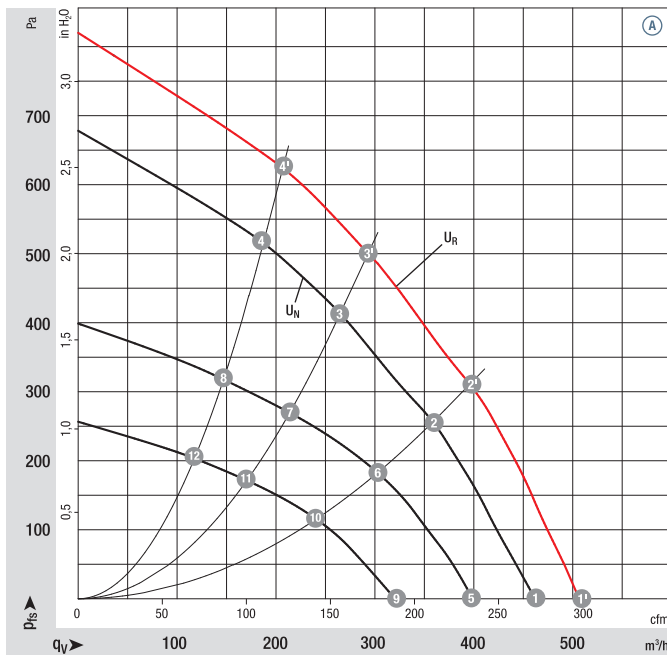
Type	Motor	Curve	Nominal voltage VDC	Nominal voltage range VDC	Air flow m <sup>3</sup> /h	Nominal speed rpm <sup>-1</sup>	Power consumption W	Input current A	Sound pressure level dB(A)	Min. back-pressure Pa	Admissible amb. temp. °C	Technical features and connection diagram
*1G 146	M1G 074-BF	Ⓐ	24	16-28	470	2200	100	5.00	68	0	-25...+60	p. 274 / G)
*1G 146	M1G 074-BF	Ⓐ	48	36-57	465	2150	100	2.60	67	0	-25...+60	p. 274 / G)

Subject to change

### Curves:

U<sub>N</sub> = nominal voltage  
(24 V / 48 V)

U<sub>R</sub> = over-voltage  
(28 V / 57 V)



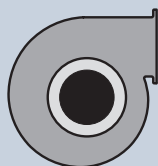
	n rpm <sup>-1</sup>	P <sub>ed</sub> W	L <sub>pA</sub> dB(A)	η <sub>IL</sub> %
Ⓐ 1'	2400	140	70	—
Ⓐ 2'	2650	130	67	45
Ⓐ 3'	3000	110	66	49
Ⓐ 4'	3300	100	67	45
Ⓐ 1	2200	100	68	—
Ⓐ 2	2445	90	65	46
Ⓐ 3	2750	84	64	49
Ⓐ 4	3025	77	65	45
Ⓐ 5	1890	68	63	—
Ⓐ 6	2075	57	60	46
Ⓐ 7	2250	48	61	49
Ⓐ 8	2335	41	61	45
Ⓐ 9	1520	37	59	—
Ⓐ 10	1670	32	55	46
Ⓐ 11	1815	27	55	49
Ⓐ 12	1920	23	55	45

Air performance measured according to: ISO 5801, Installation category A, with ebm-papst scroll housing without contact protection. Suction-side noise levels: L<sub>WA</sub> according to ISO 13347, L<sub>pA</sub> measured at 1 m distance from fan axis. The values given are applicable only under the specified measuring conditions and may differ depending on the installation conditions. In the event of deviation from the standard configuration, the parameters must be checked after installation! For detailed information see <http://www.ebmpapst.com/general-conditions>

- **Technical features:** See connection diagram p. 274
- **Cable exit:** Axial
- **Protection class:** I
- **Conformity with standard(s):** EN 60950-1
- **Approvals:** UL, CSA, CCC (only centrifugal blowers)

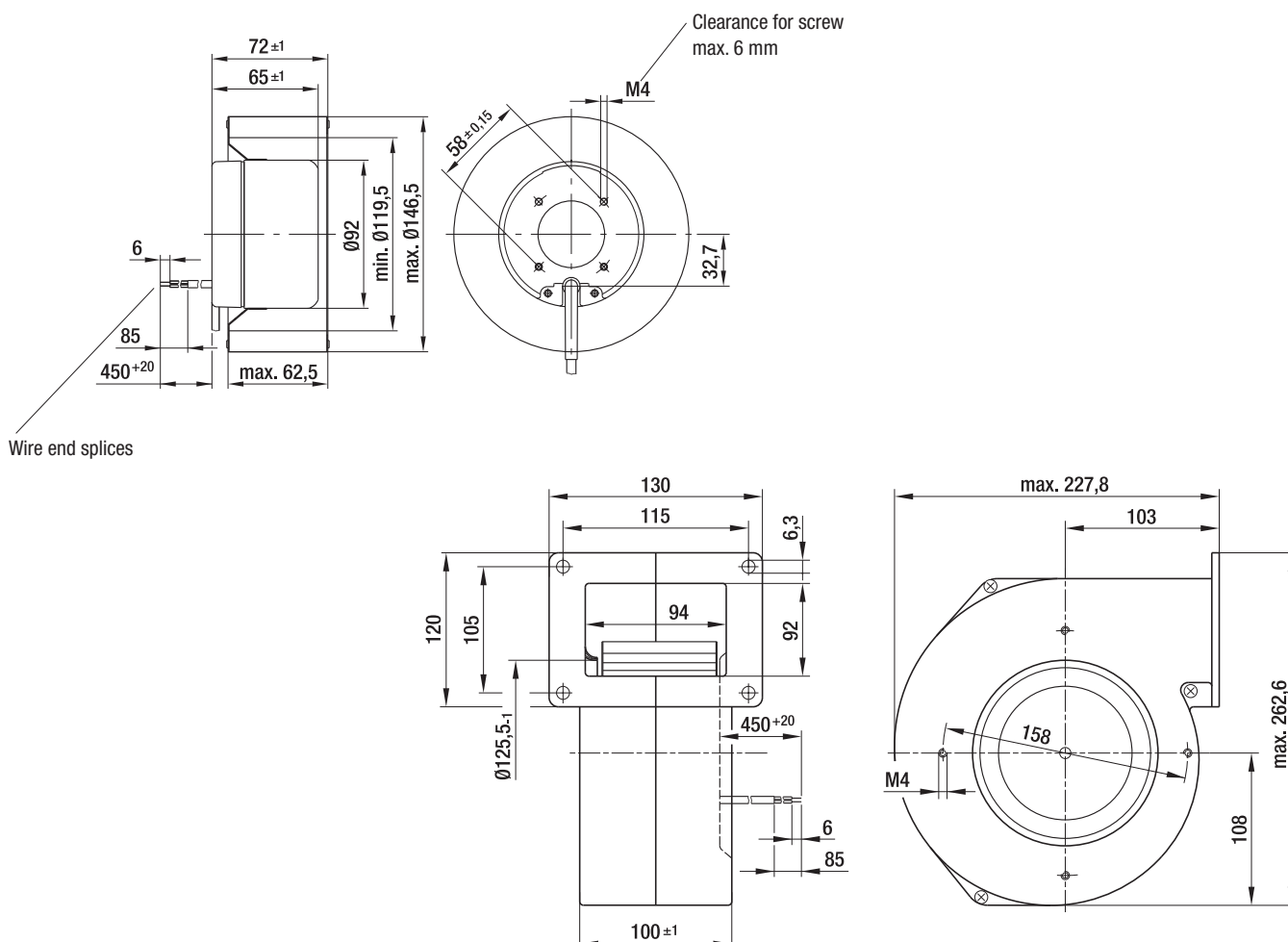


Weight centrifugal fans



Weight centrifugal blowers

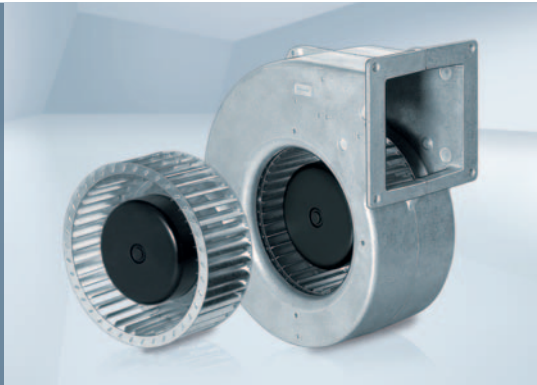
Centrifugal fans	kg	Centrifugal blowers with flange	kg
R1G 146-AA07 -52	1.4	G1G 146-BA07 -52	2.8
R1G 146-AA11 -52	1.4	G1G 146-BA11 -52	2.8



Max. 505 m<sup>3</sup>/h

# DC centrifugal fans and blowers

Ø 160 mm



- **Material:** Housing: Die-cast aluminum  
Impeller: Hot-dip galvanized sheet steel  
Rotor: Painted black
- **Direction of rotation:** Clockwise, looking towards rotor
- **Degree of protection:** IP 42
- **Insulation class:** "B"
- **Installation position:** Any
- **Condensation drainage holes:** None
- **Mode of operation:** Continuous operation (S1)
- **Bearings:** Maintenance-free ball bearings

VFS0160XUNCS  
VHS0160XUNCS

## Nominal data

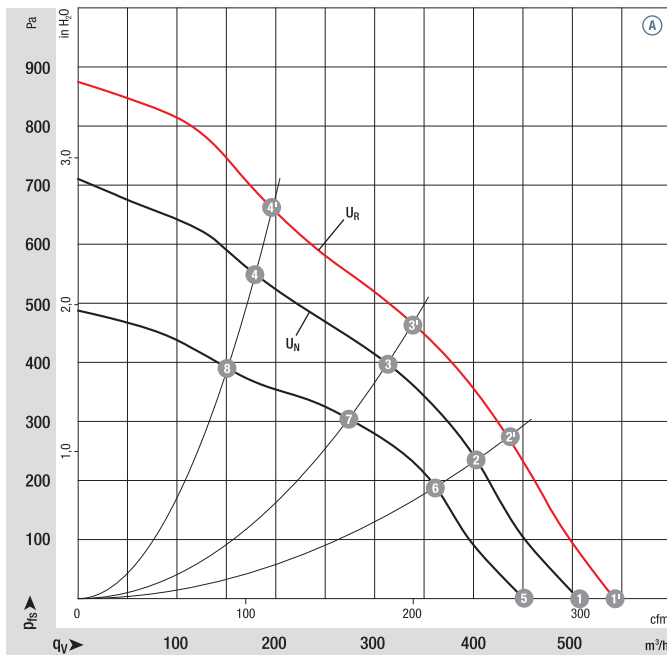
Type	Motor	Curve	Nominal voltage		Air flow	Nominal speed	Power consumption	Input current	Sound pressure level	Min. back-pressure	Admissible amb. temp.	Technical features and connection diagram
			VDC	VDC								
*1G 160	M1G 074-BF	Ⓐ	24	16-28	505	1750	105	5.80	67	0	-25...+60	p. 274 / G)
*1G 160	M1G 074-BF	Ⓐ	48	36-57	505	1750	105	2.90	67	0	-25...+60	p. 274 / G)

Subject to change

### Curves:

$U_N$  = nominal voltage  
(24 V / 48 V)

$U_R$  = over-voltage  
(28 V / 57 V)



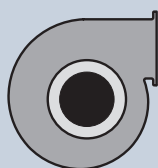
	n	P <sub>ed</sub>	L <sub>pA</sub>	η <sub>IL</sub>
	rpm <sup>-1</sup>	W	dB(A)	%
Ⓐ 1'	1890	134	68	—
Ⓐ 2'	2200	118	67	52
Ⓐ 3'	2500	110	67	57
Ⓐ 4'	2900	102	69	52
Ⓐ 1	1750	105	67	—
Ⓐ 2	2030	95	66	52
Ⓐ 3	2270	90	65	57
Ⓐ 4	2550	81	67	44
Ⓐ 5	1580	72	62	—
Ⓐ 6	1810	66	62	52
Ⓐ 7	2000	58	62	57
Ⓐ 8	2200	48	63	54

Air performance measured according to: ISO 5801, Installation category A, with ebm-papst scroll housing without contact protection. Suction-side noise levels: L<sub>WA</sub> according to ISO 13347, L<sub>pA</sub> measured at 1 m distance from fan axis. The values given are applicable only under the specified measuring conditions and may differ depending on the installation conditions. In the event of deviation from the standard configuration, the parameters must be checked after installation! For detailed information see <http://www.ebmpapst.com/general-conditions>

- **Technical features:** See connection diagram p. 274
- **Cable exit:** Axial
- **Protection class:** I
- **Conformity with standard(s):** EN 60950-1
- **Approvals:** UL, CSA

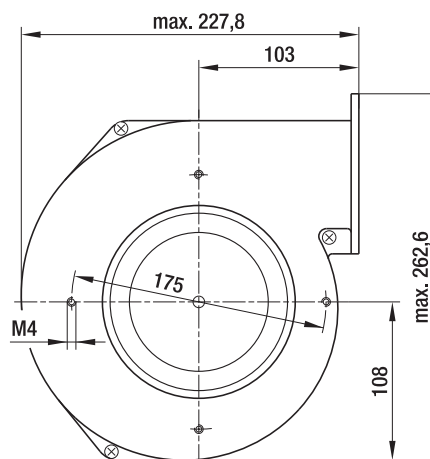
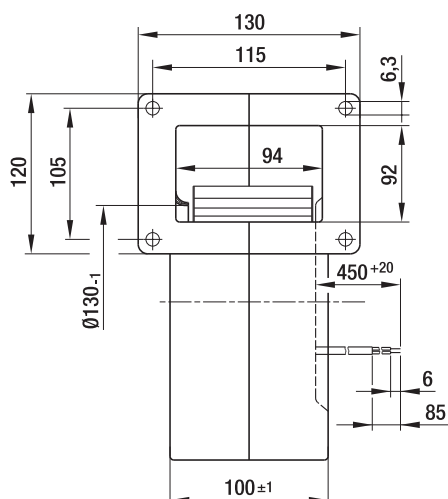
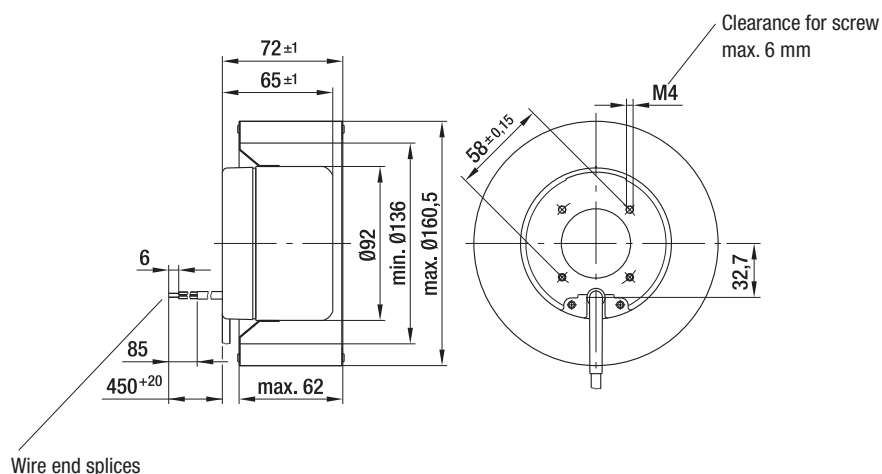


Weight centrifugal fans



Weight centrifugal blowers

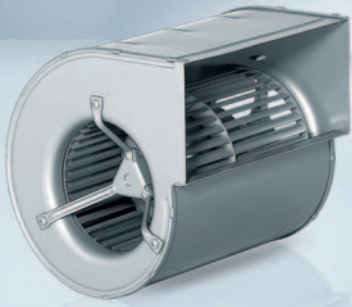
Centrifugal fans	kg	Centrifugal blowers with flange	kg
R1G 160-AH29 -52	1.4	G1G 160-BH29 -52	2.8
R1G 160-AH39 -52	1.4	G1G 160-BH39 -52	2.8



Max. 700 m<sup>3</sup>/h

# DC centrifugal blowers

Ø 133 mm



- **Material:** Housing: Galvanized sheet steel  
Impeller: Galvanized sheet steel  
Rotor: Painted black
- **Direction of rotation:** Clockwise, looking towards rotor
- **Degree of protection:** IP 42
- **Insulation class:** "B"
- **Installation position:** Any
- **Condensation drainage holes:** None
- **Mode of operation:** Continuous operation (S1)
- **Design:** SAL motor mounted with vibration damping on both sides
- **Bearings:** Maintenance-free ball bearings

VHD0133CUNC3

## Nominal data

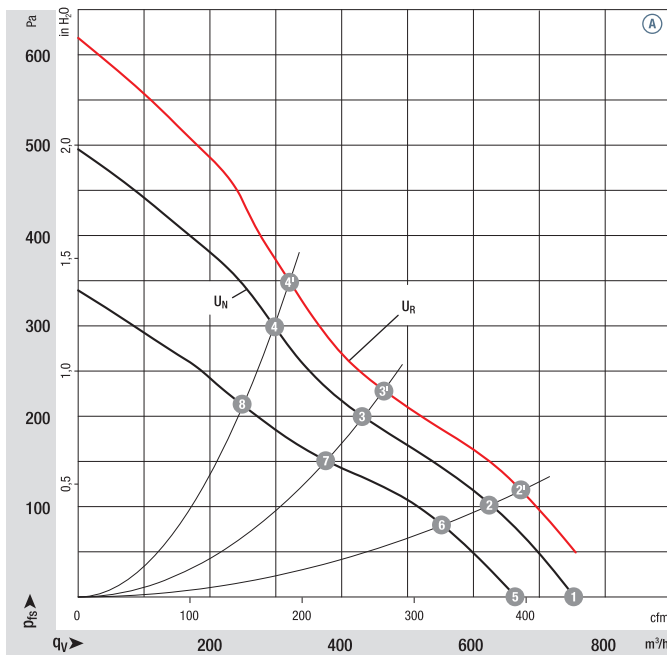
Type	Motor	Curve	Nominal voltage VDC	Nominal voltage range VDC	Air flow m <sup>3</sup> /h	Nominal speed rpm <sup>-1</sup>	Power consumption W	Input current A	Sound pressure level dB(A)	Min. back-pressure Pa	Admissible amb. temp. °C	Technical features and connection diagram
<b>D1G 133</b>	M1G074-BF	Ⓐ	24	16-28	700	1780	105	5.60	62	50	-25...+60	p. 274 / G)
<b>D1G 133</b>	M1G074-BF	Ⓐ	48	36-57	700	1780	105	2.80	62	50	-25...+60	p. 274 / G)

Subject to change

### Curves:

U<sub>N</sub> = nominal voltage  
(24 V / 48 V)

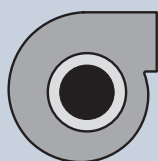
U<sub>R</sub> = over-voltage  
(28 V / 57 V)



	n rpm <sup>-1</sup>	P <sub>ed</sub> W	L <sub>pA</sub> dB(A)	η <sub>IL</sub> %
Ⓐ 1'	—	—	—	—
Ⓐ 2'	2050	121	63	49
Ⓐ 3'	2490	106	62	41
Ⓐ 4'	2820	100	62	37
Ⓐ 1	1780	105	62	—
Ⓐ 2	1900	97	61	49
Ⓐ 3	2310	86	59	41
Ⓐ 4	2630	80	60	37
Ⓐ 5	1500	73	59	—
Ⓐ 6	1720	67	57	49
Ⓐ 7	2020	58	56	41
Ⓐ 8	2230	49	56	37

Air performance measured according to: ISO 5801, Installation category A, with ebm-papst scroll housing without contact protection. Suction-side noise levels: L<sub>wA</sub> according to ISO 13347, L<sub>pA</sub> measured at 1 m distance from fan axis. The values given are applicable only under the specified measuring conditions and may differ depending on the installation conditions. In the event of deviation from the standard configuration, the parameters must be checked after installation! For detailed information see <http://www.ebmpapst.com/general-conditions>

- **Technical features:** See connection diagram p. 274
- **Cable exit:** Variable
- **Protection class:** I
- **Conformity with standard(s):** EN 60950-1
- **Approvals:** UL, CSA; Ⓢ (48 VDC) also CCC



Weight  
centrifugal blowers

Centrifugal blowers  
without flange

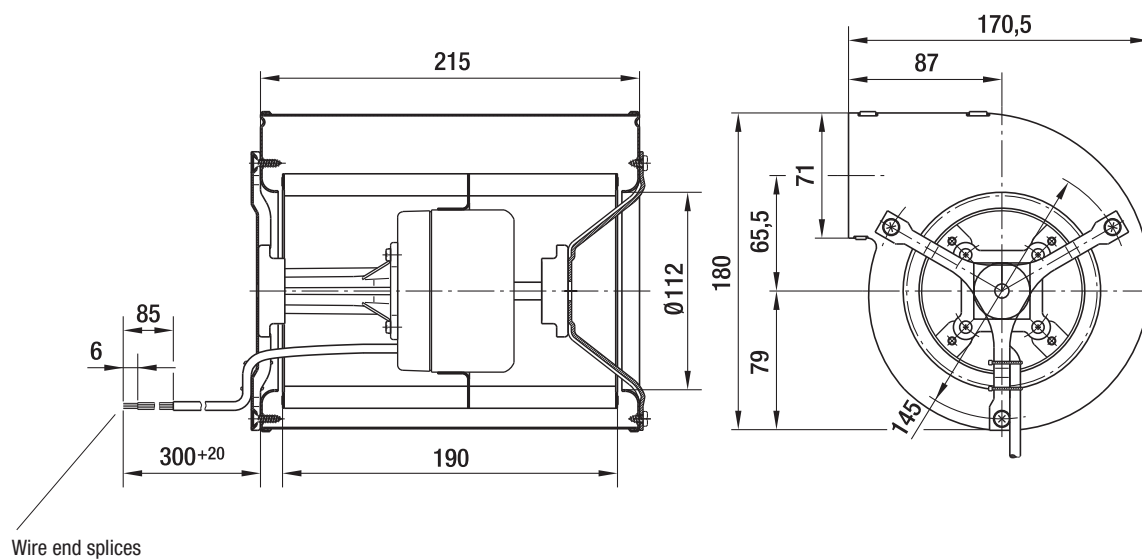
kg

D1G 133-AB29 -52

3.3

D1G 133-AB39 -52

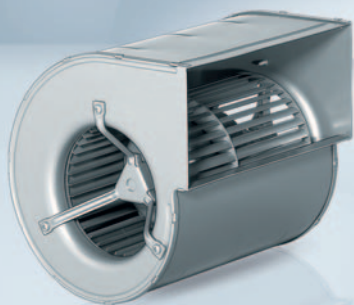
3.3



Max. 1020 m<sup>3</sup>/h

# DC centrifugal blowers

Ø 133 mm



- **Material:** Housing: Galvanized sheet steel  
Impeller: Galvanized sheet steel  
Rotor: Painted black
- **Direction of rotation:** Clockwise, looking towards rotor
- **Degree of protection:** IP 42
- **Insulation class:** "B"
- **Installation position:** Any
- **Condensation drainage holes:** None
- **Mode of operation:** Continuous operation (S1)
- **Design:** SAL motor mounted with vibration damping on both sides
- **Bearings:** Maintenance-free ball bearings

VHD0133XUNES

## Nominal data

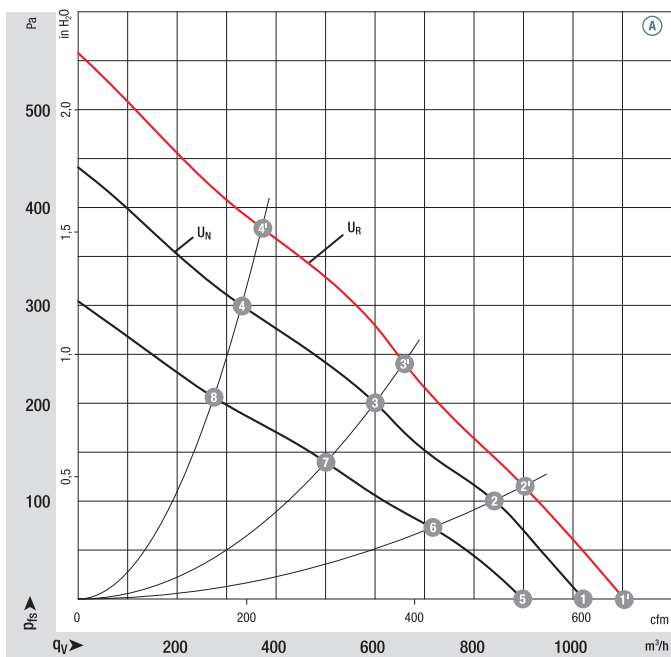
Type	Motor	Curve	Nominal voltage VDC	Nominal voltage range VDC	Air flow m <sup>3</sup> /h	Nominal speed rpm <sup>-1</sup>	Power consumption W	Input current A	Sound pressure level dB(A)	Min. back-pressure Pa	Admissible amb. temp. °C	Technical features and connection diagram
<b>D1G 133</b>	M1G 074-BF	Ⓐ	24	16-28	1020	1580	118	6.00	64	0	-25...+60	p. 274 / G)
<b>D1G 133</b>	M1G 074-BF	Ⓐ	48	36-57	1020	1580	118	3.00	64	0	-25...+60	p. 274 / G)

Subject to change

### Curves:

$U_N$  = nominal voltage  
(24 V / 48 V)

$U_R$  = over-voltage  
(28 V / 57 V)

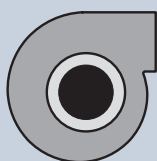


	n rpm <sup>-1</sup>	P <sub>ed</sub> W	L <sub>pA</sub> dB(A)	η <sub>IL</sub> %
Ⓐ 1'	1700	145	65	—
Ⓐ 2'	1930	133	62	38
Ⓐ 3'	2290	122	59	41
Ⓐ 4'	2700	99	61	32
Ⓐ 1	1580	118	64	—
Ⓐ 2	1790	107	61	38
Ⓐ 3	2100	95	57	41
Ⓐ 4	2410	73	58	32
Ⓐ 5	1400	78	60	—
Ⓐ 6	1580	70	56	38
Ⓐ 7	1760	56	53	41
Ⓐ 8	2000	44	53	32

Air performance measured according to: ISO 5801, Installation category A, with ebm-papst scroll housing without contact protection. Suction-side noise levels: L<sub>wA</sub> according to ISO 13347, L<sub>pA</sub> measured at 1 m distance from fan axis. The values given are applicable only under the specified measuring conditions and may differ depending on the installation conditions. In the event of deviation from the standard configuration, the parameters must be checked after installation! For detailed information see <http://www.ebmpapst.com/general-conditions>



- **Technical features:** See connection diagram p. 274
- **EMC (24 VDC):** Interference emission acc. to EN 55022, class B  
Immunity to interference acc. to EN 61000-6-2
- **Cable exit:** Variable
- **Protection class:** I
- **Conformity with standard(s):** EN 60950-1
- **Approvals:** UL, CSA

Weight  
centrifugal blowersCentrifugal blowers  
without flange

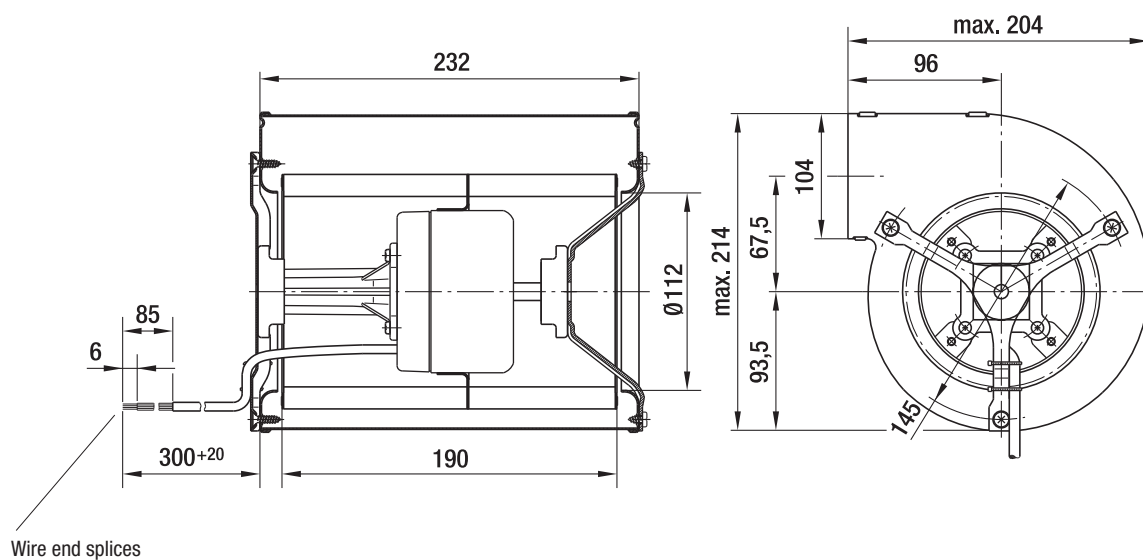
kg

D1G 133-DC13 -52

3.4

D1G 133-DC17 -52

3.4



Max. 1000 m<sup>3</sup>/h

# DC centrifugal blowers

Ø 146 mm



- **Material:** Housing: Galvanized sheet steel  
Impeller: Galvanized sheet steel  
Rotor: Painted black
- **Direction of rotation:** Clockwise, looking towards rotor
- **Degree of protection:** IP 42
- **Insulation class:** "B"
- **Installation position:** Any
- **Condensation drainage holes:** None
- **Mode of operation:** Continuous operation (S1)
- **Design:** SAL motor mounted with vibration damping on both sides
- **Bearings:** Maintenance-free ball bearings

VHD0146XUNES

## Nominal data

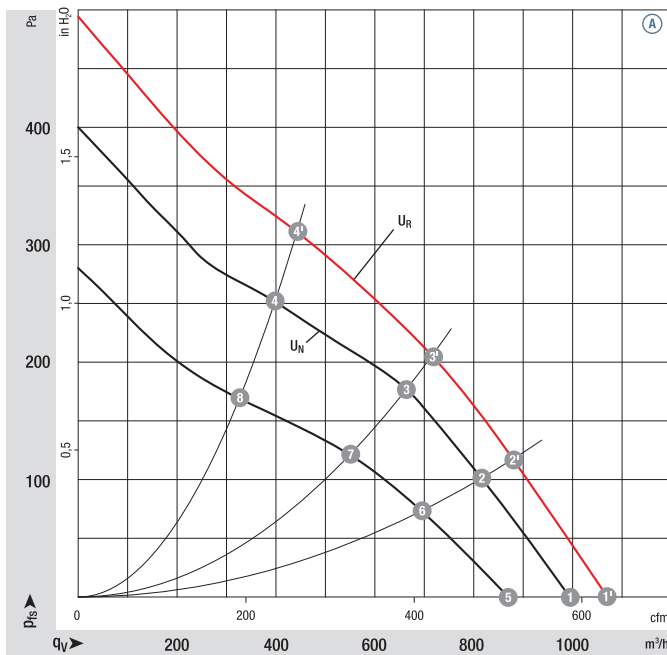
Type	Motor	Curve	Nominal voltage		Air flow m <sup>3</sup> /h	Nominal speed rpm <sup>-1</sup>	Power consumption W	Input current A	Sound pressure level dB(A)	Min. back-pressure Pa	Admissible amb. temp. °C	Technical features and connection diagram
			VDC	VDC								
<b>D1G 146</b>	M1G 074-CF	Ⓐ	24	16-28	1000	1350	105	5.10	61	0	-25...+60	p. 274 / G)
<b>D1G 146</b>	M1G 074-CF	Ⓐ	48	36-57	1000	1350	105	2.60	61	0	-25...+60	p. 274 / G)

Subject to change

### Curves:

U<sub>N</sub> = nominal  
voltage  
(24 V / 48 V)

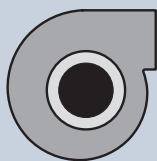
U<sub>R</sub> = over-  
voltage  
(28 V / 57 V)



	n rpm <sup>-1</sup>	P <sub>ed</sub> W	L <sub>pA</sub> dB(A)	η <sub>IL</sub> %
Ⓐ 1'	1460	129	63	—
Ⓐ 2'	1680	119	60	53
Ⓐ 3'	1890	111	58	61
Ⓐ 4'	2240	95	59	55
Ⓐ 1	1350	105	61	—
Ⓐ 2	1570	95	58	53
Ⓐ 3	1750	88	56	61
Ⓐ 4	2010	70	57	55
Ⓐ 5	1210	70	56	—
Ⓐ 6	1360	60	54	53
Ⓐ 7	1460	53	52	61
Ⓐ 8	1670	42	51	55

Air performance measured according to: ISO 5801, Installation category A, with ebm-papst scroll housing without contact protection. Suction-side noise levels: L<sub>WA</sub> according to ISO 13347, L<sub>pA</sub> measured at 1 m distance from fan axis. The values given are applicable only under the specified measuring conditions and may differ depending on the installation conditions. In the event of deviation from the standard configuration, the parameters must be checked after installation! For detailed information see <http://www.ebmpapst.com/general-conditions>

- **Technical features:** See connection diagram p. 274
- **EMC (24 VDC):** Interference emission acc. to EN 55022, class B  
Immunity to interference acc. to EN 61000-6-2
- **Cable exit:** Variable
- **Protection class:** I
- **Conformity with standard(s):** EN 60950-1
- **Approvals:** UL, CSA



Weight centrifugal blowers

Centrifugal blowers without flange

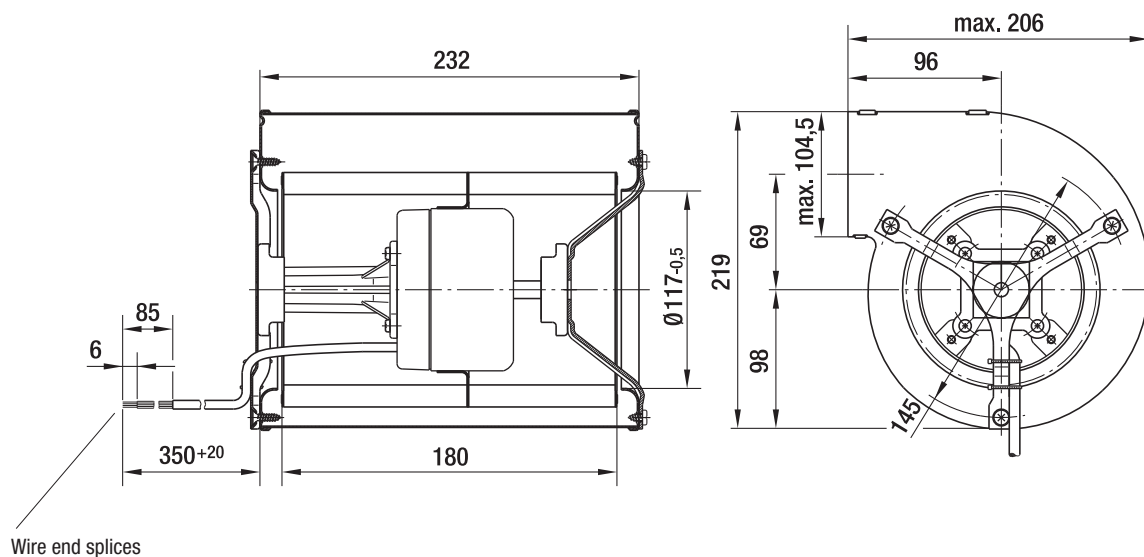
kg

D1G 146-AA19 -52

3.5

D1G 146-AA33 -52

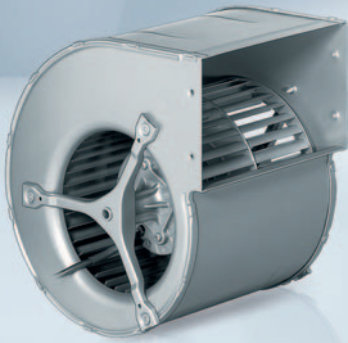
3.5



Max. 980 m<sup>3</sup>/h

# DC centrifugal blowers

Ø 160 mm



- **Material:** Housing: Galvanized sheet steel  
Impeller: Galvanized sheet steel  
Rotor: Painted black
- **Direction of rotation:** Counterclockwise, looking towards rotor
- **Degree of protection:** IP 42
- **Insulation class:** "B"
- **Installation position:** Any
- **Condensation drainage holes:** None
- **Mode of operation:** Continuous operation (S1)
- **Design:** SAL motor mounted with vibration damping on both sides
- **Bearings:** Maintenance-free ball bearings

VHD0160XUNES

## Nominal data

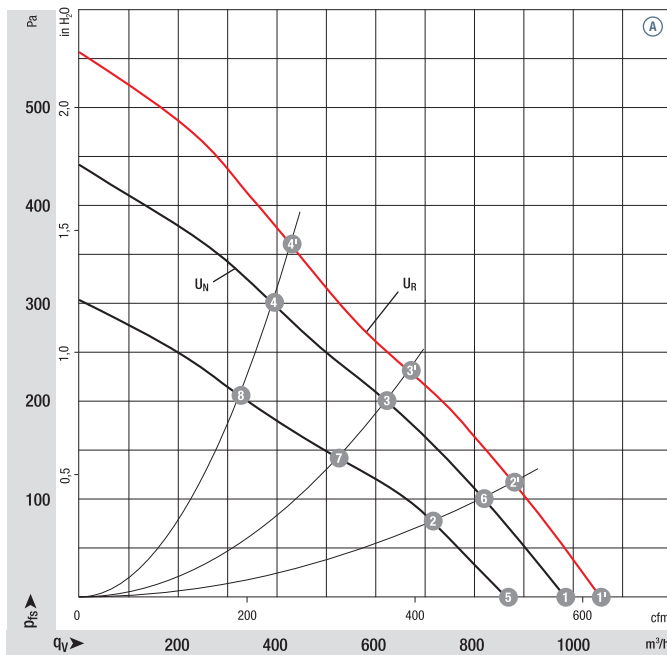
Type	Motor	Curve	Nominal voltage VDC	Nominal voltage range VDC	Air flow m <sup>3</sup> /h	Nominal speed rpm <sup>-1</sup>	Power consumption W	Input current A	Sound pressure level dB(A)	Min. back-pressure Pa	Admissible amb. temp. °C	Technical features and connection diagram
<b>D1G 160</b>	M1G 074-CF	Ⓐ	24	16-28	980	1250	112	5.60	60	0	-25...+60	p. 274 / G)
<b>D1G 160</b>	M1G 074-CF	Ⓐ	48	36-57	980	1250	112	2.90	60	0	-25...+60	p. 274 / G)

Subject to change

### Curves:

$U_N$  = nominal voltage  
(24 V / 48 V)

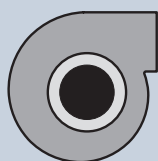
$U_R$  = over-voltage  
(28 V / 57 V)



	n rpm <sup>-1</sup>	P <sub>ed</sub> W	L <sub>pA</sub> dB(A)	η <sub>IL</sub> %
Ⓐ 1'	1330	142	63	—
Ⓐ 2'	1520	128	61	64
Ⓐ 3'	1790	115	59	66
Ⓐ 4'	2090	105	60	60
Ⓐ 1	1250	112	60	—
Ⓐ 2	1420	102	59	64
Ⓐ 3	1660	92	58	66
Ⓐ 4	1900	80	58	60
Ⓐ 5	1100	75	58	—
Ⓐ 6	1250	69	56	64
Ⓐ 7	1420	58	54	66
Ⓐ 8	1580	47	53	60

Air performance measured according to: ISO 5801, installation category A, with ebm-papst scroll housing without contact protection. Suction-side noise levels: L<sub>WA</sub> according to ISO 13347, L<sub>pA</sub> measured at 1 m distance from fan axis. The values given are applicable only under the specified measuring conditions and may differ depending on the installation conditions. In the event of deviation from the standard configuration, the parameters must be checked after installation! For detailed information see <http://www.ebmpapst.com/general-conditions>

- **Technical features:** See connection diagram p. 274
- **Cable exit:** Variable
- **Protection class:** I
- **Conformity with standard(s):** EN 60950-1
- **Approvals:** UL, CSA

Weight  
centrifugal blowersCentrifugal blowers  
without flange

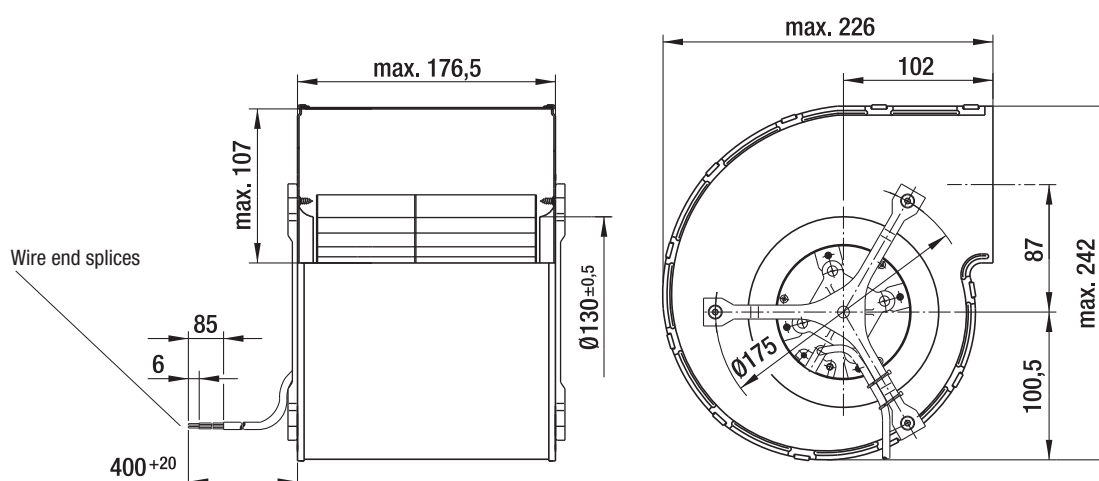
kg

D1G 160-DA19 -52

3.6

D1G 160-DA33 -52

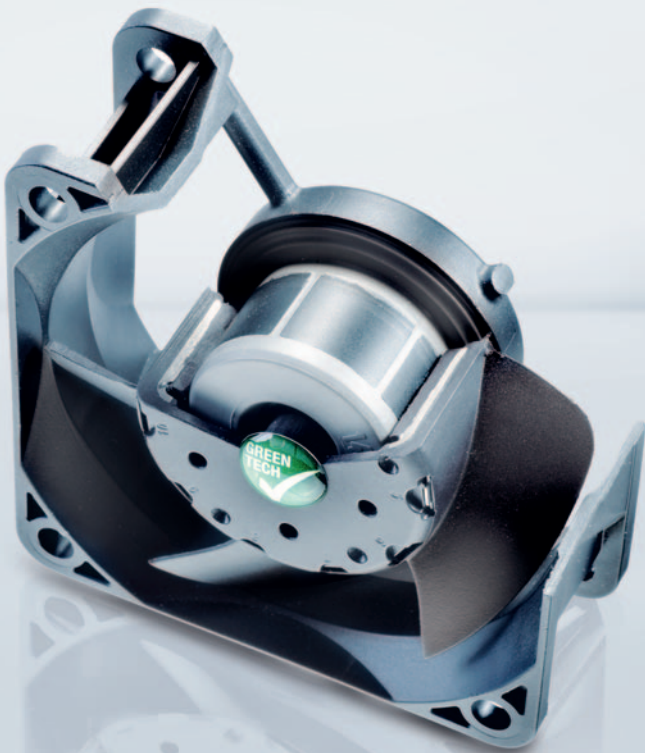
3.6



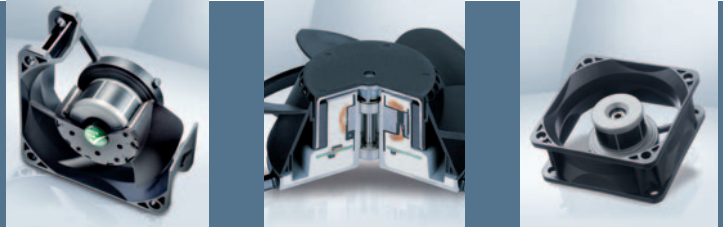


# DC fans - specials

Speed signal	178
Alarm signal	180
Speed setting / Control input	184
FanCheck	187
Protected fans, degree of protection: IP 54 / IP 68	188



## Technical information



### Cooling capacity and efficiency

Greater power density, increasing miniaturization and extreme electronic component density are placing increased demands on the cooling capacity and efficiency of fans. Therefore, intelligent and space-saving integration of the fan in the device configuration is very important:

- Tailor-made cooling adapted to the situation as and when required.
- Programmable cooling by defining speed profiles.
- Transparency of function thanks to complete, interactive monitoring in all operating conditions.

Standard fans in electronics cooling have proven themselves a million times over.

With a constant speed and an appropriate sound level, they continuously provide the air flow required for extreme cases. But these extreme situations occur seldom – if at all – during operation. What is needed is an intelligent fan that adapts automatically to the level of cooling required at the time.

ebm-papst provides intelligent cooling concepts that are optimally adapted to practical requirements. For example:

### 1. Speed adjustment via temperature sensor

ebm-papst answers with a complete range of DC fans with temperature-controlled speed adjustment via a temperature sensor, available in a variety of standard dimensions.

Installation is very simple. Either an external temperature sensor in the form of an exposed wire that can be placed anywhere, or an internal sensor located directly in the fan hub in the air flow provides continuous and undissipated thermal information to the control electronics for speed adjustment. A range of temperature sensors can be found on page 184.

### 2. DC fans with separate control input

Open or closed-loop speed control is also possible with DC fans that have a separate control input. So a control voltage or a pulse-width modulated signal can be used to vary the speed. These options are used primarily in devices that have the appropriate standard interfaces and require varied fans depending on the load.



### 3. Speed signal

DC fans with speed signal.

The integrated "electronic tachometer" continuously provides an actual speed signal for external evaluation. A very simple signal evaluation on the customer side informs the user of the current fan speed at all times. The speed signal is provided by a separate wire.

### 4. Alarm signal

For applications that require monitored fan operation with an alarm signal, ebm-papst offers a number of alarm signals variants. Depending on the type of fan in question, the signal will either be static, already evaluated, or a continuous, interface-compatible, high or low signal. The alarm signal is provided by a separate wire.

### 5. Turbo drives

Fans with three-phase EC drives and microprocessor-controlled motor electronics. The torque of these three-phase motors, which is virtually independent of the rotor position, allows the fan to run very smoothly. The speed of these fans can be controlled over a very wide speed range by means of PWM, analog voltage, or temperature. Optionally, the fans can be supplied with reversible direction of rotation and active brake operation.

### 6. Protection against environmental conditions

Some applications place particular demands on the fans' resistance to environmental conditions, such as dust, moisture, water, and salt. ebm-papst offers solutions for adapting fans to these conditions.

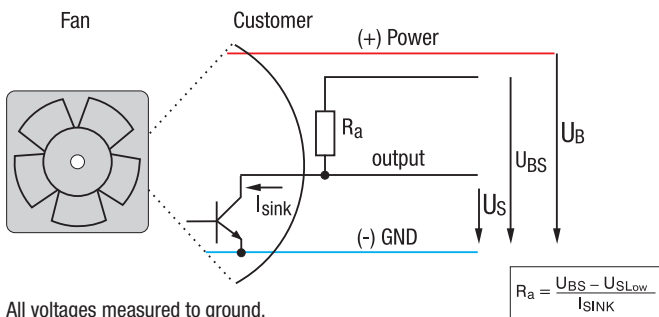
## Speed signal /2

- Speed-proportional, square-wave signal for external monitoring of the fan motor speed
- 2, 3, or 6 pulses per revolution
- Open-collector signal output
- Extremely wide operating voltage range
- Easy adaptation to user interface
- Connection via separate cable
- The sensor signal also serves as a major comparison variable for setting and maintaining the setpoint speed for interactive or controlled cooling with one or more interconnected fans.

### Available on request:

- Electrically isolated speed signal circuit
- Varying voltage potentials for power and logic circuit

### Electrical hookup



All voltages measured to ground.  
External load resistor  $R_a$  /  $U_S$  /  $U_{BS}$  required.

Signal data	Speed signal $U_{S\ Low}$	Condition: $I_{sink}$	Speed signal $U_{S\ High}$	Condition: $I_{source}$	Admissible sink current $I_{sink\ max.}$	Pulses per revolution*
Type	VDC	mA	VDC	VDC	mA	
12 / 24 V	≤ 0.4	2	≤ 30	30	4	2
48 V	≤ 0.4	2	≤ 60	60	4	2

Subject to change

Standard value, can vary depending on fan series.  
\* Depending on the fan electronics other values are feasible e. g. 3 or 6.

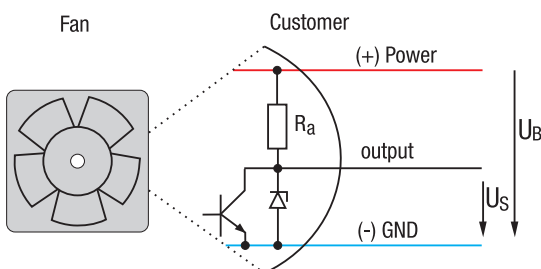
## Speed signal /12

- Speed-proportional, square-wave signal for external monitoring of the fan motor speed
- 2, 3, or 6 pulses per revolution
- TTL-compatible
- Integrated pull-up resistor
- Connection via separate cable
- The sensor signal also serves as a major comparison variable for setting and maintaining the setpoint speed for interactive or controlled cooling with one or more interconnected fans.

### Available on request:

- Electrically isolated speed signal circuit
- Varying voltage potentials for power and logic circuit

### Electrical hookup



All voltages measured to ground.

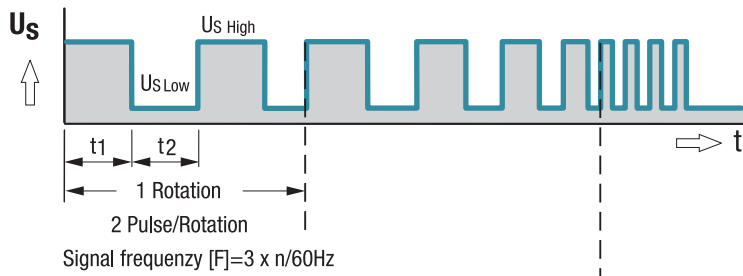
Signal data	Speed signal $U_{S\ Low}$	Condition: $I_{sink}$	Speed signal $U_{S\ High}$	Condition: $I_{source}$	Admissible sink current $I_{sink\ max.}$	Pulses per revolution*
Type	VDC	mA	VDC	mA	mA	
12 / 24 / 48 V	≤ 0.4	1	2.5–5.5	1	1	2

Subject to change

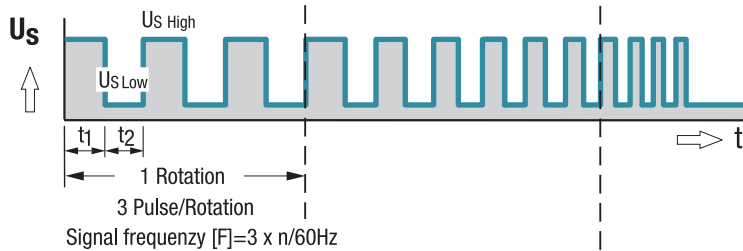
Standard value, can vary depending on fan series.  
\* Depending on the fan electronics other values are feasible e. g. 3 or 6.

### Signal output voltage

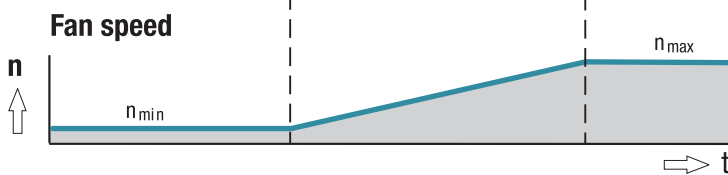
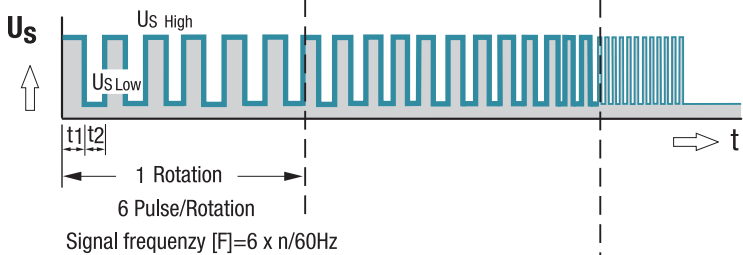
Standard signal for all models (exceptions see below)



For multi option control input and 4100 NH7 and NH8



All TD Fans e.g. 6300 TD



#### Note:

Fans that come with these fan specials could have variations with respect to the temperature range, voltage range, and power consumption compared to standard fans without specials.

# Alarm signal /17

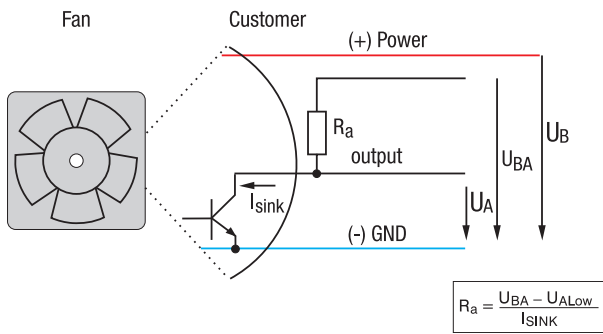
## Speed limit

- Alarm signal for speed monitoring
- Signal output via open collector
- The fan emits a continuous high signal during trouble-free operation within the permissible voltage range.
- Low signal when speed limit is not reached
- After elimination of the fault, the fan returns to its setpoint speed; the alarm signal reverts to high.

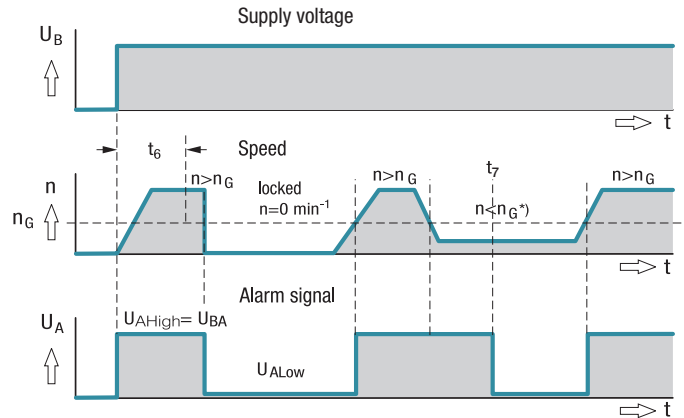
### Available on request:

- Integrated signal storage for subsequent recognition of short-term faults (latch).
- Alarm circuit open collector or TTL.
- Electrically isolated for maximum device safety; Defects in the power circuit do not affect the alarm circuit.

### Electrical hookup



All voltages measured to ground.  
External load resistor  $R_a$  from  $U_A$  to  $U_{BA}$  required.



$t_6$  = Alarm signal suppression during startup  
 $t_7$  = Alarm delay time during run-up  
\*  $n < n_G$  by braking or locking

# Alarm signal /19

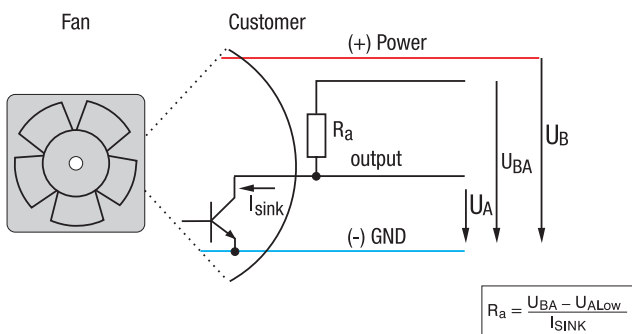
## Speed limit

- Alarm signal for speed monitoring
- Signal output via open collector
- The fan emits a continuous low signal during trouble-free operation within the permissible voltage range.
- High signal when speed limit is not reached
- After elimination of the fault, the fan returns to its setpoint speed; the alarm signal reverts to low.

### Available on request:

- Integrated signal storage for subsequent recognition of short-term faults (latch).
- Alarm circuit open collector or TTL.
- Electrically isolated for maximum device safety; Defects in the power circuit do not affect the alarm circuit.

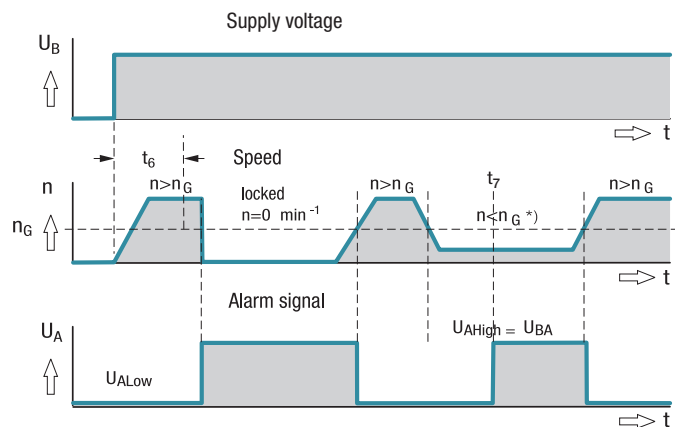
### Electrical hookup



All voltages measured to ground.  
External load resistor  $R_a$  from  $U_A$  to  $U_{BA}$  required.

### Note:

Fans that come with these fan specials could have variations with respect to the temperature range, voltage range, and power consumption compared to standard fans without specials.



$t_6$  = Alarm signal suppression during startup  
 $t_7$  = Alarm delay time during run-up  
\*  $n < n_G$  by braking or locking

Alarm signal data	Alarm output voltage U <sub>A</sub> Low	Condition:	Condition: I <sub>sink</sub> =	Alarm output voltage U <sub>A</sub> High	Condition:	Condition: I <sub>source</sub>	Alarm operating voltage U <sub>BA</sub> max.	Max. permissible sink current
	VDC		mA	VDC		mA	VDC	mA
12 / 24 V	≤ 0.4	n > n <sub>G</sub>	2	≤ 30	n < n <sub>G</sub>	0	30	10
48 V	≤ 0.4	n > n <sub>G</sub>	2	≤ 60	n < n <sub>G</sub>	0	60	10
Subject to change	Standard value, can vary depending on fan series.							

**Selectable parameters:**

- Speed limit
- t<sub>6</sub> Alarm signal suppression during start-up
- t<sub>7</sub> Alarm delay time during run-up

For existing products, information about alarm signals is included in the product data sheet.

# Alarm signal /37

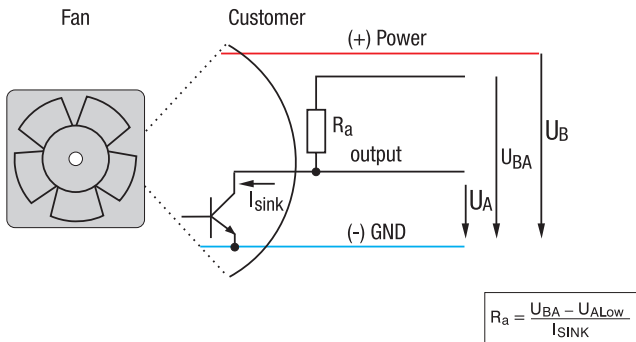
Go / NoGo alarm

- Alarm signal for speed monitoring
- Signal output via open collector
- The fan emits a continuous high signal during trouble-free operation within the permissible voltage range.
- Low signal when speed limit is not reached
- After elimination of the fault, the fan returns to its setpoint speed; the alarm signal reverts to high.

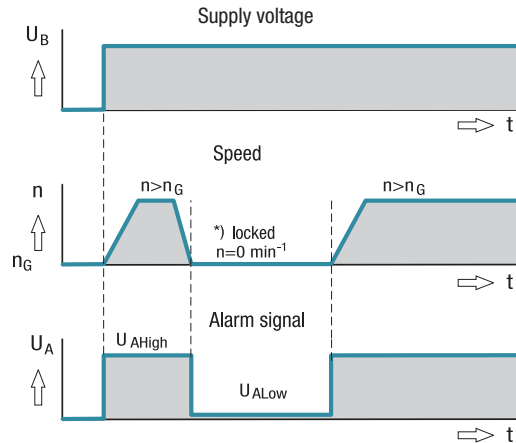
**Available on request:**

- Alarm circuit TTL compatible.

## Electrical hookup



All voltages measured to ground  
External load resistor  $R_a$  from  $U_A$  to  $U_{BA}$  required.



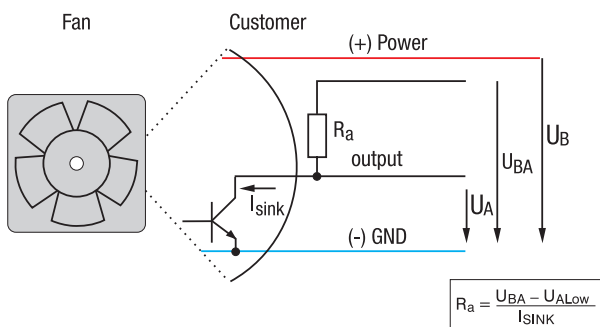
\* Speed limit  $n_G = 0$  rpm

# Alarm signal /39

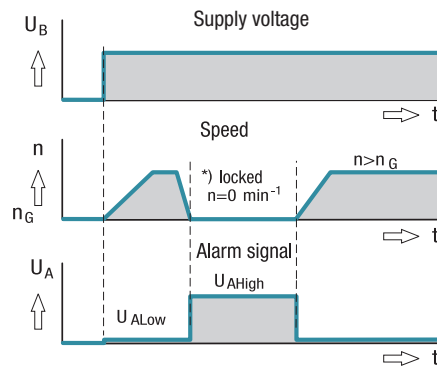
Go / NoGo alarm

- Alarm signal for speed monitoring
- Signal output via open collector
- The fan emits a continuous low signal during trouble-free operation within the permissible voltage range.
- High signal when speed limit is not reached
- After elimination of the fault, the fan returns to its setpoint speed; the alarm signal reverts to low.

## Electrical hookup



All voltages measured to ground  
External load resistor  $R_a$  from  $U_A$  to  $U_{BA}$  required.



\* Speed limit  $n_G = 0$  rpm

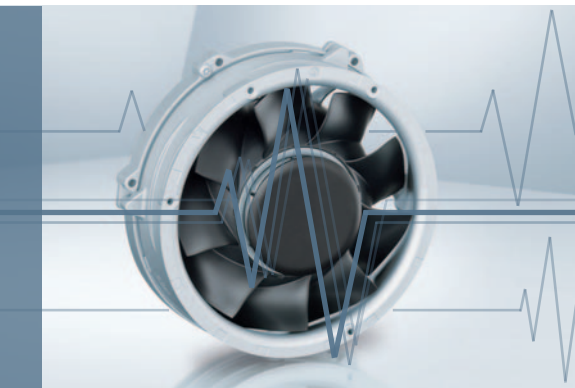
### Note:

Fans that come with these fan specials could have variations with respect to the temperature range, voltage range, and power consumption compared to standard fans without specials.

Alarm signal data	Alarm output voltage U <sub>A</sub> Low		Alarm output voltage U <sub>A</sub> High		Alarm operating voltage U <sub>BA</sub> max.		Max. permissible sink current	
	Condition:	Condition: I <sub>sink</sub> =	Condition:	Condition: I <sub>source</sub>				
Type	VDC	mA	VDC	mA	VDC	mA		
12 / 24 V	≤ 0.4	n > n <sub>G</sub>	2	≤ 30	n < n <sub>G</sub>	0	30	10
48 V	≤ 0.4	n > n <sub>G</sub>	2	≤ 60	n < n <sub>G</sub>	0	60	10
Subject to change	Standard value, can vary depending on fan series.							

For existing products, information about alarm signals is included in the product data sheet.

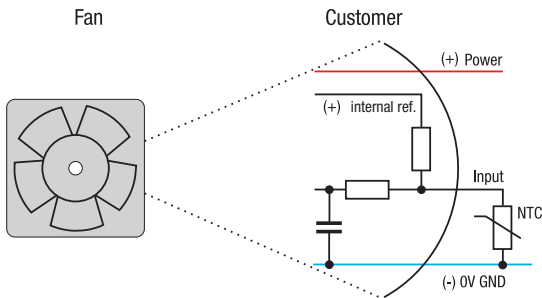
# Speed setting via temperature sensor



- The control variable is a temperature sensor that is either integrated in the fan or connected to an additional control cable.

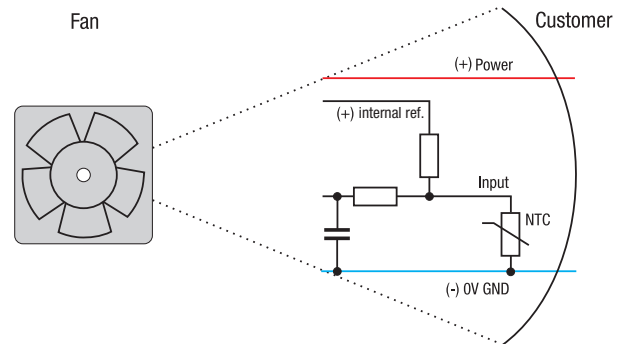
## External temperature sensor type T

- Ext. NTC resistor type LZ370 (p. 272) is required (not included in the standard scope of delivery)

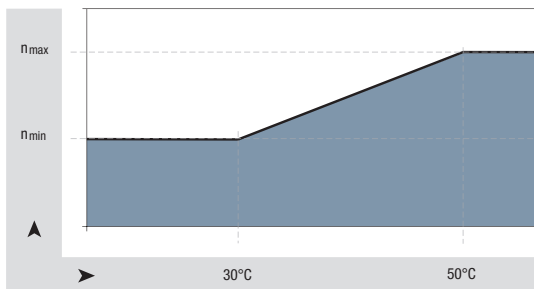


## Internal temperature sensor type I

- NTC integrated in the fan hub



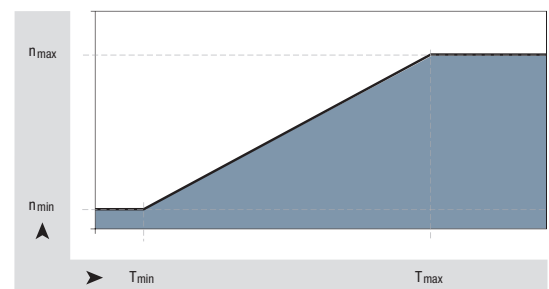
## Standard speed/temperature curve for type T and type I



$$n_{\min} \approx \frac{1}{2} n_{\max}$$

$$T_{\min} \approx 30 \text{ }^{\circ}\text{C}; T_{\max} = 50 \text{ }^{\circ}\text{C}$$

## Optionally available with selectable temperature/speed curve



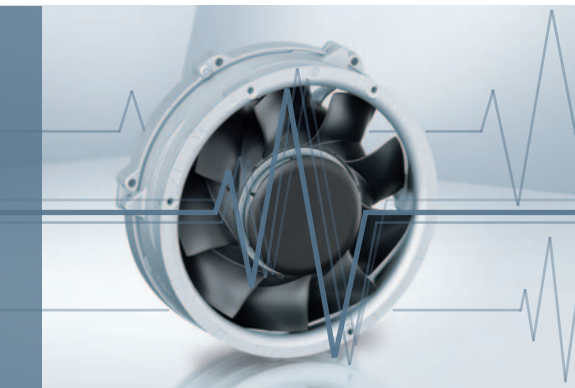
$$n_{\min} \approx 800 \text{ }^1/\text{min} \quad n_{\max} \text{ based on model}$$

$$T_{\min} \approx 5 \text{ }^{\circ}\text{C} \quad T_{\max} \leq 85 \text{ }^{\circ}\text{C, based on model}$$



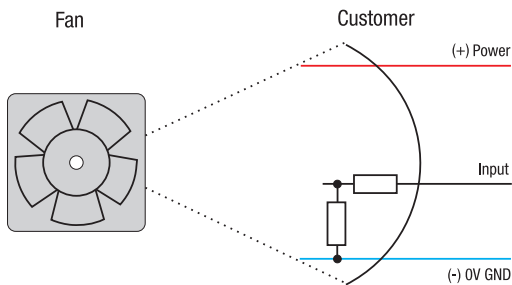
# Speed setting via control voltage or PWM signal

– The control variable is a PWM signal or analog control voltage.



## Speed setting via analog control voltage type A

– Standard control range 0...10 V

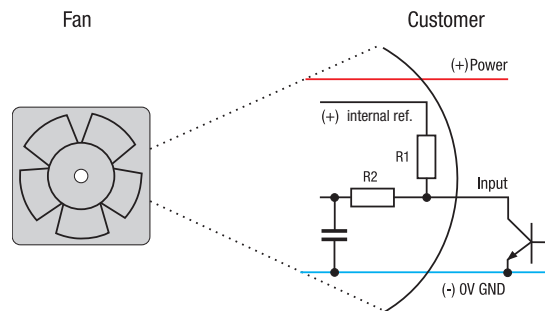


Typical input resistance > 10 k

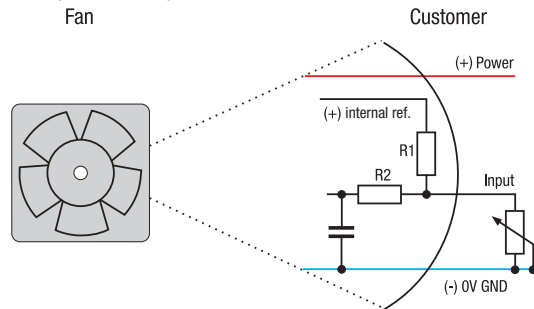
## Speed setting via PWM type P

– Standard PWM signal in two versions

- a) PWM frequency, mainly 1...10 kHz (0-100%), Open-collector input
- b) Four-wire interface according to Intel specifications for 12 VDC fans, PWM frequency 25 kHz, incl. speed signal /2



– Optional with potentiometer

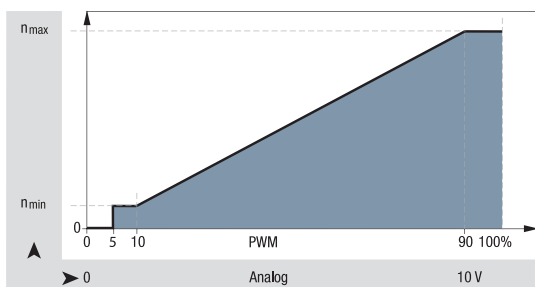


Internal reference = + 5 V

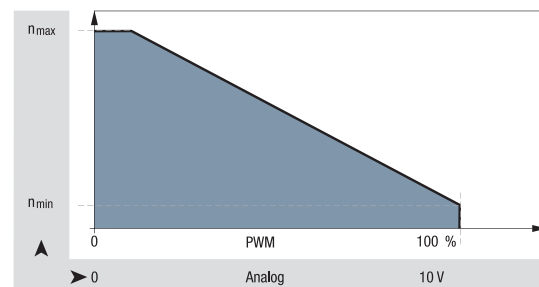
R1 typical 4.7...10 k $\Omega$

R2 typical 100 k $\Omega$

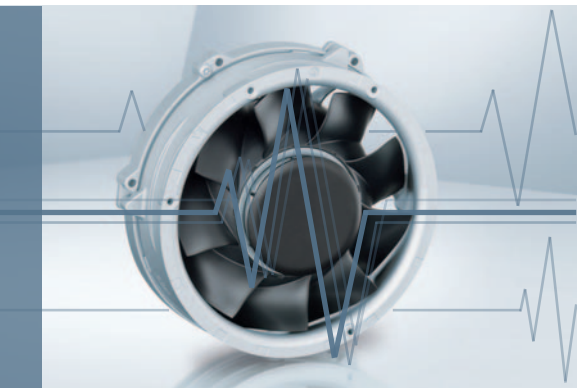
## Standard P / A curve



## Optionally available with selectable P / A speed curve

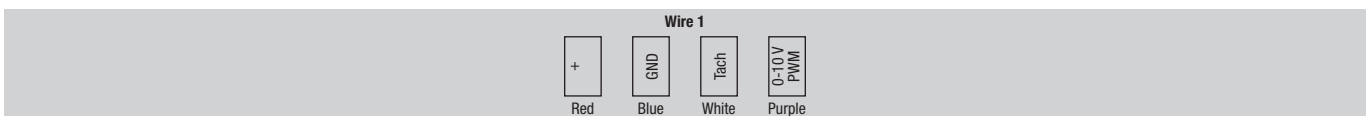
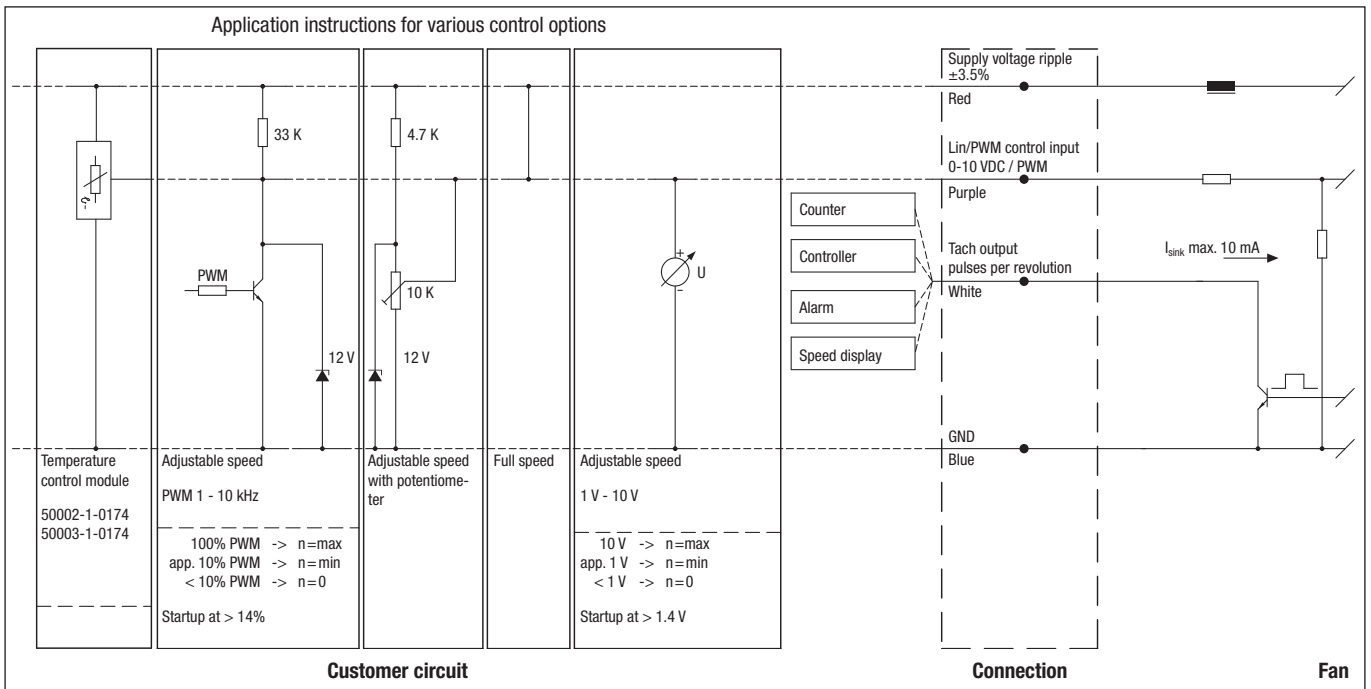


# Speed setting via multi-option control input



- Customer can operate input either with PWM signal, analog voltage, external temperature control module, or resistor.
- The control signal speed characteristics of the fan differ from the standard curve of the A and P inputs (see p. 185).
- To reach the maximum speed, the control cable must be connected to the  $U_B$ .
- The control input is usually combined with an open collector tachometer (type /2, see page 178).

## Speed setting via multi-option control input type 0



Wire	Connection	Color	Assignment/function
1	+	Red	Supply voltage ripple ±3.5%
	GND	Blue	GND

Wire	Connection	Color	Assignment/function
1	Tach	White	Tach output: 3 Impulse/revolution
	0-10 V / PWM	Purple	Control input (impedance 100 kV)

# FanCheck



- **Material:** Housing: Die-cast aluminum  
Impeller: GRP<sup>1)</sup> (PA)
- **Direction of air flow:** Exhaust over struts
- **Direction of rotation:** Counterclockwise, looking towards rotor
- **Connection:** (+) and GND: AWG 22,  
Speed signal and control input:  
AWG 24  
all wires: UL 1007, TR 64
- **Highlights:** FanCheck  
PWM control input
- **Weight:** 755 g

1) Fiberglass-reinforced plastic

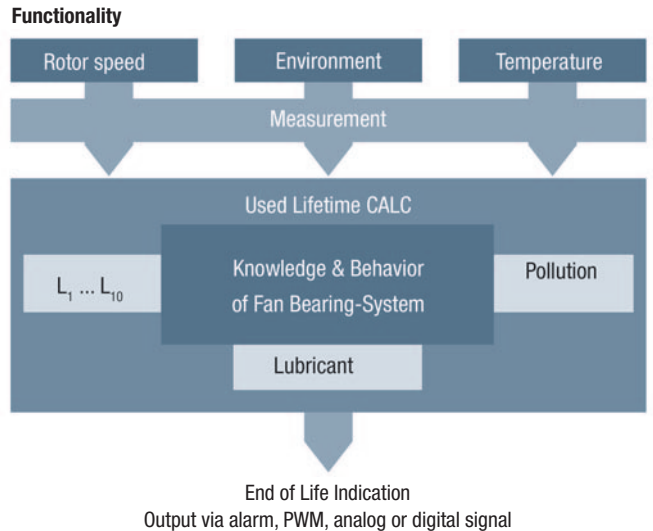
Series 6300 N  
FanCheck

### Nominal data

Type	Air flow		Nominal voltage	Voltage range	Sound pressure level	Sound power level	Sinter sleeve bearings Ball bearings	Power consumption	Nominal speed	Temperature range	Service life L10 (40 °C) ebm-papst standard	Service life L10 (Tmax) ebm-papst standard	Life expectancy L10IPC (40 °C) s. P. 15
	m <sup>3</sup> /h	cfm											
6318 N/2 H3P-305	675	397	48	36...60	-	7.5	■	58	5 000	-20...+70	77 500 / 40 000	130 000	

Subject to change

**FanCheck** is a diagnostic tool integrated into the fan electronics for determining the remaining service life of the fan, dependant, upon temperature, speed, and preset environmental parameters. The FanCheck system emits a pulse width modulated signal, which reflects the remaining service life of the fan. The pulse width is proportional to the remaining service life of the fan. The FanCheck signal has a pulse width of 10 % at the end of the service life and a pulse width of 90 % with full service life. Basic data, such as the ball bearing system, bearing lubrication or lubricant used, are programmed in advance as parameters into the software. The customer defines the environmental conditions, such as the use of fans in moist, dusty, or dirty environments; other parameters such as ambient temperature and speed are determined continuously. Based on all the influencing parameters, the software can, by means of a complex algorithm, calculate the remaining service life for each individual fan. To be able to better demonstrate function, the FanCheck system possesses a demo function for samples, in which the service life expires much more quickly than in real time. Using the alarm signal, tacho signal or an additional lead, the remaining service life can be retrieved and analyzed. Depending on the selected feature, the remaining service life can be emitted in the form of a PWM or an analog signal. In this way, optimum benefit is gained from the individual service life of each fan; thus, a fan exchange that is too early or too late can be avoided.



# Protected fans

## against environmental conditions

- Capable of satisfying special requirements for a broad range of applications
- Resistance of fans to environmental conditions such as dust, splashing water, humidity, spray water, and salt spray.
- Competent solutions to adapt fans to environmental conditions.



### Moisture protection

A coat of paint over the motor and circuit board protect the fans against spray water and condensation.

### Degree of protection IP 54 / IP 68\*

In the degree of protection IP 54, the motor and circuit boards are coated and therefore protected against spray water and moisture.

The degree of protection IP 68 is important for ebm-papst products, as it ensures a high degree of protection for the encapsulated motor and electronics against foreign bodies and water, while protecting the user against potential hazards upon contact. Degrees of protection higher than IP 68 are possible on request.

Solutions that are available and are used may differ depending on the fan size. We would be glad to develop solutions tailored to the demands of your application.

### Salt spray protection

Salt spray represents one of the most difficult requirements for product durability. ebm-papst has the technology to protect fans and blowers from salt spray reliably and for the long term.

### Stainless steel bearings

Special bearings made of stainless steel provide additional protection.

### Degree of protection – IP code\*

Protection against foreign bodies and accidental contact (first digit)		Water protection (second digit)	
X	No protection	X	No protection
1	Protection against foreign objects > 50 mm (back of the hand)	1	Protection against dripping water or condensation
2	Protection against foreign objects > 12 mm (finger)	2	Protection against dripping water, fans tilted 15° from vertical
3	Protection against foreign objects > 2.5 mm (tool)	3	Protection against sprayed water up to 60° from vertical
4	Protection against foreign objects > 1 mm (wire)	4	Protection against sprayed water from all sides
5	Protection against dust in harmful quantities	5	Protection against low-pressure water jets
6	Dust-proof	6	Protection against high-pressure water jets
		7	Protection against temporary submersion (15 cm - 1 m)
		8	Protection against continuous submersion

\* IP = International degree of protection marking

For AC- and EC-fans max. IP 65 available





# ACmaxx / EC axial fans



Technical information about ACmaxx	192
Overview	195
ACmaxx axial fans	196
GreenTech EC tubeaxial fans	200
Energy-saving axial fans	204
EC axial fans	206
ACmaxx in-line duct fans	210

# ACmaxx / EC axial fans

## Technical information about ACmaxx / GreenTech EC tubeaxial fans



### Progress made by ebm-papst

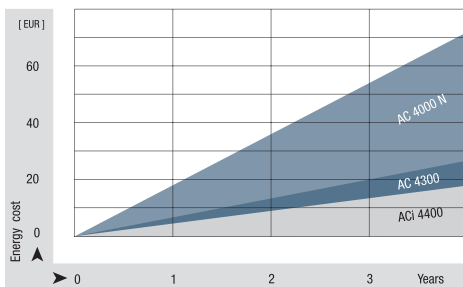
The best example: The ACmaxx fans from ebm-papst that offer substantial benefits thanks to an ingenious yet simple improvement over conventional AC fans.

The aim in developing the ACmaxx series was to raise the technical standard of the conventional AC fan significantly and in the process facilitate a transition to new technology by maintaining the same fan sizes. In short, to make sure that the fans can be replaced 1:1 without any changes to the peripherals or voltage situation.

ebm-papst offers two generations of ACmaxx products that meet different needs.

### What the ACmaxx and GreenTech EC compact fans have in common: Energy efficiency

A drive concept based on state-of-the-art GreenTech EC technology with outstanding motor efficiency. Compared to AC fans of the same size, ACmaxx energy consumption is up to 77 % lower – for greater cooling capacity! The energy savings alone means that the products pay for themselves after only a few months. The savings over the entire service life, especially in systems with multiple fans, is considerable.

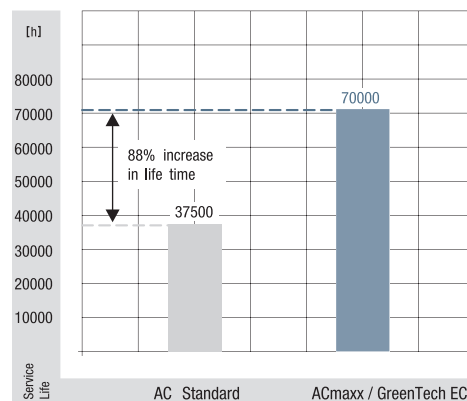


### Independent of the power frequency and line voltage

The ACmaxx and GreenTech EC tubeaxial fans are prepared for direct connection to a wide range of AC voltages and frequencies. The speed, and thus important properties of the fan such as air flow and noise, are independent of the power frequency and do not change, even within the defined voltage range. Voltage fluctuations in the power system are automatically compensated for.

### Long service life

The efficiency of ACmaxx and GreenTech EC tubeaxial fan motors is up to 75 % greater than that of conventional AC fan variants. This not only saves energy, it also means less self-heating of the motor. Especially the bearing system responds positively to the low self-heating. The reason why the fans have a service life that is up to 85 % longer! This also extends the service and maintenance intervals significantly. Investments in replacement fans and every more expensive downtime are manageably small.





# ACmaxx / EC axial fans

## Technical information about ACmaxx / GreenTech EC tubeaxial fans



### Safety

- Safety certifications: UL, CSA and VDE 0805 / EN60950. VDE 0700 / EN60335 on request.
- Our fans have the CE mark of conformity.
- EMC protection:
  - > EN61000-4-4 Level 1 (1 kV or 2 kV) B
  - > EN61000-4-2 Level 8 kV/15 kV or 4 kV/8 kV
  - > EN61000-4-3
  - > EN61000-4-6
  - > EN61000-4-8
  - > EN55022 Class B

### The environment

AC fans are extremely common and are used in a wide variety of applications. In control cabinet cooling, beer coolers, cooling cabinets, wood-burning stoves, medical devices – all have different requirements for resistance to environmental conditions. ACmaxx and GreenTech EC tubeaxial fans offer the same features for moisture protection, splash water, and tougher environmental conditions.

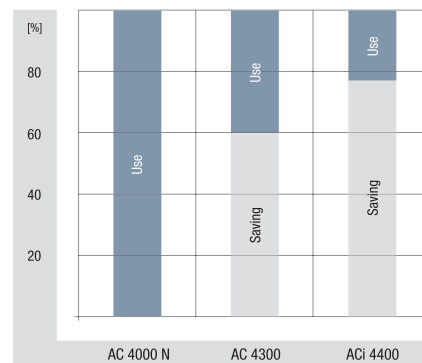
### Particular design features of the GreenTech EC tubeaxial fan (ACi 4400): GreenTech EC compact fan is more compact!

As large as existing AC fans – and not a bit larger. This is the greatest feature of the ACi 4400 GreenTech EC tubeaxial fans. Even in the hub area, the fan does not differ from typical 119 x 119 x 38 mm AC fans. Out with the AC, in with the ACi 4400 GreenTech EC tubeaxial fans – it's that simple.



### The GreenTech EC tubeaxial fan is more efficient!

ACmaxx saves energy, and the GreenTech EC tubeaxial fan generation saves even more. While an AC fan at 50 Hz can barely reach an overall efficiency of 5-6 %, the ACmaxx makes it to about 20-25 %. With the new ACi 4400 GreenTech EC tubeaxial fans, a remarkable level of up to 30 % is reached. This is the result of the optimization of the entire package made up of the drive, electronics, AC/DC conversion, and aerodynamics. Thus the new GreenTech EC tubeaxial fan series boasts energy savings of almost 75 % compared to the corresponding AC fan, thus providing significantly greater savings than the 40 % level of the old AC 4300 generation.



### The GreenTech EC tubeaxial fan is quieter!

The ACi 4400 GreenTech EC tubeaxial fan is quieter! Quieter than AC fans and quieter than the existing ACmaxx generation. The reason for this is the optimized aerodynamics and the drive, which is optimized for minimum structure-borne noise. Thus the fan is only half as loud at a comparable air performance, and is up to 6 dB(A) quieter at some operating points.

### Speed independent of voltage and frequency

For the ACi 4400 GreenTech EC tubeaxial fans, the speed, and thus the flow quantity and operating noise, are independent of the power supply and power frequency.

Versions are available for 115 VAC with a voltage range from 85 to 132 VAC and 230 VAC with a voltage range of 195 to 265 VAC. Operation with DC voltage is also possible. Voltage fluctuations and frequency differences in the power system are compensated for automatically.

# ACmaxx / EC axial fans

Technical information  
about ACmaxx / GreenTech EC tubeaxial fans



## Particular design features of the ACmaxx:

### Prepared for all common AC voltages

These models have a very wide voltage range from 85 to 265 VAC – the global voltage range, so to speak. This allows the fan to be used around the world, opening up large savings potentials. In addition to reduced logistics effort and stock keeping, worldwide availability is key. ACmaxx is compatible with every power supply and no switching is needed. From 85 to 265 volts and power frequencies of 50 and 60 Hz. Voltage fluctuations in the power system are automatically compensated for.

### Higher performance

Unlike conventional AC technology, the state-of-the-art drive concept of this fan series is not linked to a fixed power frequency. This allows the motor speed to be increased over a wide range. Thus ACmaxx provides significantly greater air flow and significantly increased pressure.

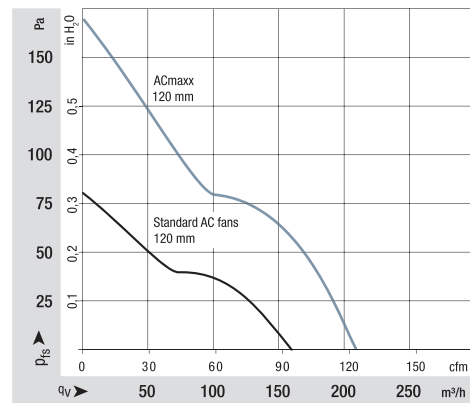
### Greater flexibility

The flexibility of ACmaxx is unique. With its intelligent features, ACmaxx can be adapted individually to the specific application: standby mode, overload mode at peak times, or night reduction all the way to temperature-controlled quiet operation are all possible. From speed monitoring to long-term function checks using an alarm or speed signal

outputs, ACmaxx offers optional interfaces that allow you to monitor an operation easily and quickly.

You can find further information about these fan options in the "Fans specials" chapter, starting on page 175.

Or you can simply contact our application engineers to discuss your ideal ACmaxx or GreenTech EC tubeaxial fan.



# Fans for AC operation

## Overview of air performance

Dimensions mm	Series	Air flow m <sup>3</sup> /h	Air flow scale (10 to 2500 m <sup>3</sup> /h)																Page	
			10	20	30	40	50	60	70	80	90	100	200	300	400	500	600	700		800
□ 80 x 32	AC 8300	80	[Performance bar]																196	
□ 92 x 38	AC 3200 J	144	[Performance bar]																197	
□ 119 x 25	AC 4400 FN	205	[Performance bar]																198	
□ 119 x 32	AC 4300	204	[Performance bar]																199	
□ 119 x 38	ACi 4400 N	78...175	[Performance bar]																200	
□ 119 x 38	ACi 4400	100...175	[Performance bar]																201	
∅ 172 x 51	AC 6200 N	350	[Performance bar]																202	
∅ 130	W1G 130	220...370	[Performance bar]																204	
∅ 200	W3G 200	560...1065	[Performance bar]																206	
∅ 250	W3G 250	900...1910	[Performance bar]																208	
∅ 98,5 x 130	AC 100	40...135	[Performance bar]																210	

Subject to change

## Overview of technically feasible designs

Dimensions mm	Series	VDE, UL, CSA	SIMTEC sleeve bearings / ball bearings	Speed signal	Go / NoGo alarm	Alarm with speed limit	External temperature sensor	Internal temperature sensor	PWM control input	Analog control input	Multi-options control input	Moisture protection	IP 65	Salt spray protection	Page
<b>ACmaxx / ACi axial fans</b>															
□ 80 x 32	AC 8300	yes	■	•	•	•	•	•	•	•	•	•	•	•	196
□ 92 x 38	AC 3200 J	no	■	•	•	•	•	•	•	•	•	•	•	•	197
□ 119 x 25	AC 4400 FN	yes	■	•	•	•	•	•	•	•	•	•	•	•	198
□ 119 x 32	AC 4300	yes	■	•	•	•	•	•	•	•	•	•	•	•	199
□ 119 x 38	ACi 4400 N	yes	■	-	-	-	-	-	-	-	-	•	•	•	200
□ 119 x 38	ACi 4400	yes	■	•	•	•	-	•	•	•	-	•	•	•	201
∅ 172 x 51	AC 6200 N	yes	■	•	•	•	•	•	•	•	-	•	•	•	202
∅ 98.5 x 130	AC 100	*	■	-	-	-	-	-	-	-	-	•	-	-	210

Subject to change

- Not yet available
  - Available
  - Sleeve bearings
  - Ball bearings
- \* Partially granted, partially in registration stage.

Please note that these special versions are not possible for all voltages and speeds, and not in all combinations. The special versions are designed for specific customers and projects. As a rule they are not available off the shelf and are tied to minimum volumes. Please consult your customer support representative about the feasibility of your special variant.

Max. 80 m<sup>3</sup>/h

# ACmaxx axial fans

□ 80 x 32 mm



- **Material:** Housing: GRP<sup>1)</sup> (PBTP)  
Impeller: GRP<sup>1)</sup> (PA)
  - **Direction of air flow:** Exhaust over struts
  - **Direction of rotation:** Clockwise, looking towards rotor
  - **Connection:** Via single wires AWG 22, TR 64
  - **Highlights:** Universally usable for all power voltages between 85 and 265 VAC
  - **Weight:** 325 g
- **Possible special versions:** (See chapter DC fans - specials)
    - Speed signal
    - Go / NoGo alarm
    - Alarm with speed limit
    - External temperature sensor
    - Internal temperature sensor
    - PWM control input
    - Analog control input
    - Moisture protection
    - Salt spray protection
    - Degree of protection: IP 65

1) Fiberglass-reinforced plastic

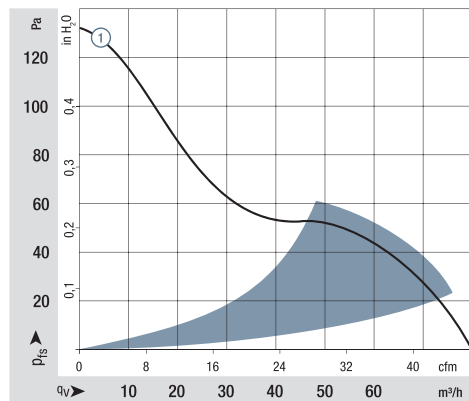
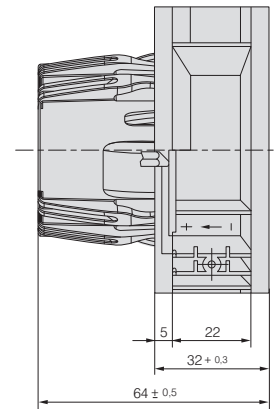
Series AC 8300  
WVC0080ASJAS

**Nominal data**

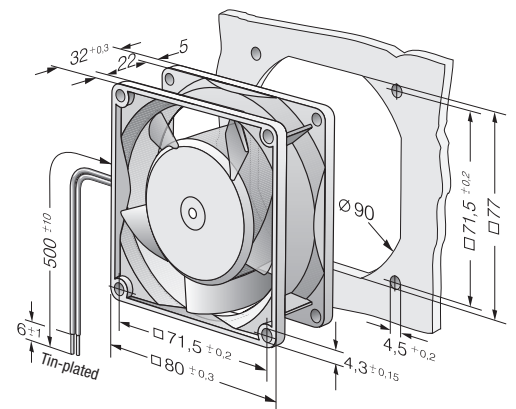
Type	Air flow		Nominal voltage	Frequency	Voltage range	Sound pressure level	Sound power level	Sinter sleeve bearings Ball bearings	Power consumption	Nominal speed	Temperature range	Service life L <sub>10</sub> (40 °C) ebm-papst standard	Service life L <sub>10</sub> (T <sub>max</sub> ) ebm-papst standard	Life expectancy L <sub>10</sub> DFC (40 °C) see page 15	Curve
	m <sup>3</sup> /h	cfm													
AC 8300 H	80	47	100...240	50 / 60	85...265	48	6.2	■	8.3	5 000	-20...+75	55 000 / 20 000	92 500	①	

Subject to change

Speed variants available on request.



Air performance measured according to: ISO 5801.  
Installation category A, without contact protection.  
Noise: Total sound power level L<sub>WA</sub> ISO 10302 measured on a hemisphere with a radius of 2 m.  
Sound pressure level L<sub>PA</sub> measured at 1 m distance from fan axis.  
The values given are applicable only under the specified measuring conditions and may differ depending on the installation conditions.  
In the event of deviation from the standard configuration, the parameters must be checked after installation!  
For detailed information see <http://www.ebmpapst.com/general conditions>



Max. 144 m<sup>3</sup>/h

# ACmaxx axial fans

□ 92 x 38 mm



- **Material:** Housing: GRP<sup>1)</sup> (PBTP)  
Impeller: GRP<sup>1)</sup> (PA)
  - **Direction of air flow:** Exhaust over struts
  - **Direction of rotation:** Clockwise, looking towards rotor
  - **Connection:** Via single wires AWG 22, TR 64
  - **Highlights:** Universally usable for all power voltages between 85 and 265 VAC
  - **Weight:** 325 g
- **Possible special versions:** (See chapter DC fans - specials)
    - Speed signal
    - Go / NoGo alarm
    - Alarm with speed limit
    - External temperature sensor
    - Internal temperature sensor
    - PWM control input
    - Analog control input
    - Moisture protection
    - Salt spray protection
    - Degree of protection: IP 65

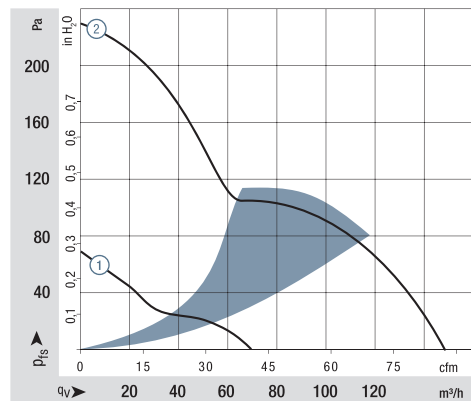
1) Fiberglass-reinforced plastic

Series AC 3200 J  
WVC0092JSGBS

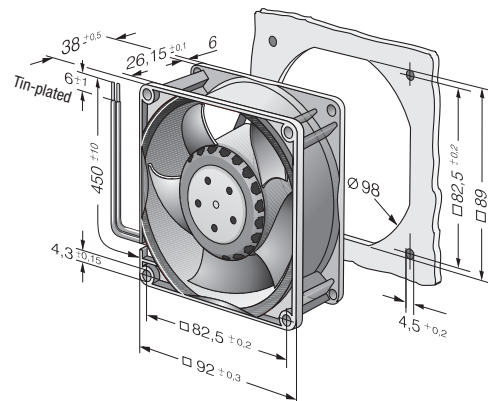
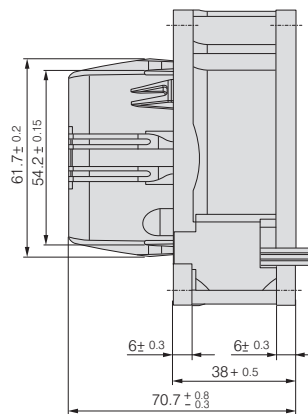
Nominal data	Air flow		Nominal voltage	Frequency	Voltage range	Sound pressure level	Sound power level	Sinter sleeve bearings Ball bearings	Power consumption	Nominal speed	Temperature range	Service life L <sub>10</sub> (40 °C) ebm-papst standard	Service life L <sub>10</sub> (T <sub>max</sub> ) ebm-papst standard	Life expectancy L <sub>10</sub> DFC (40 °C) see page 15	Curve
	m <sup>3</sup> /h	cfm													
AC 3200 JLU	70	41	100...240	50 / 60	85...265	36	4.6	■	2.6	3 360	-20...+70	70 000 / 35 000	117 500	①	
AC 3200 JH	144	85	100...240	50 / 60	85...265	55	6.4	■	12	6 800	-20...+70	70 000 / 35 000	117 500	②	

Subject to change

Speed variants available on request.



Air performance measured according to: ISO 5801.  
Installation category A, without contact protection.  
Noise: Total sound power level L<sub>w</sub> ISO 10302 measured on a hemisphere with a radius of 2 m.  
Sound pressure level L<sub>pA</sub> measured at 1 m distance from fan axis.  
The values given are applicable only under the specified measuring conditions and may differ depending on the installation conditions.  
In the event of deviation from the standard configuration, the parameters must be checked after installation!  
For detailed information see [http://www.ebmpapst.com/general\\_conditions](http://www.ebmpapst.com/general_conditions)



Max. 205 m<sup>3</sup>/h

# ACmaxx axial fans

□ 119 x 25 mm



- **Material:** Housing: GRP<sup>1)</sup> (PBTP)  
Impeller: GRP<sup>1)</sup> (PA)
  - **Direction of air flow:** Exhaust over struts
  - **Direction of rotation:** Counterclockwise, looking towards rotor
  - **Connection:** Via single wires AWG 22, TR 64
  - **Highlights:** Universally usable for all power voltages between 85 and 265 VAC
  - **Weight:** 370 g
- **Possible special versions:** (See chapter DC fans - specials)
    - Speed signal
    - Go / NoGo alarm
    - Alarm with speed limit
    - External temperature sensor
    - Internal temperature sensor
    - PWM control input
    - Analog control input
    - Moisture protection

1) Fiberglass-reinforced plastic

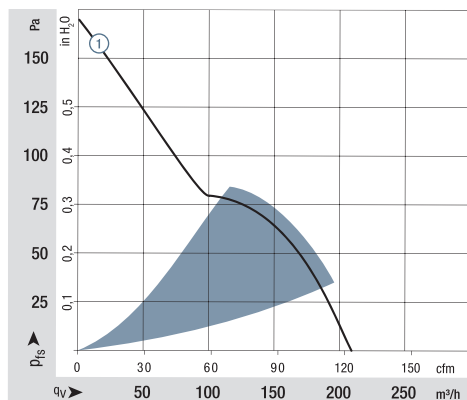
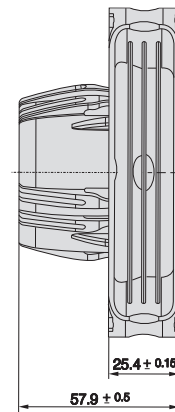
Series AC 4400 FN  
WVC0119FSJBS

**Nominal data**

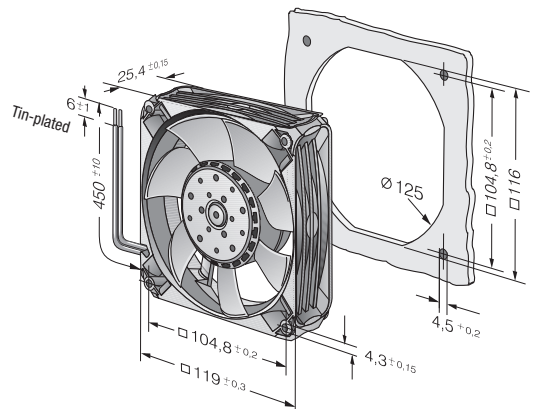
Type	Air flow		Nominal voltage	Frequency	Voltage range	Sound pressure level	Sound power level	Sinter sleeve bearings Ball bearings	Power consumption	Nominal speed	Temperature range	Service life L <sub>10</sub> (40 °C) ebm-papst standard	Service life L <sub>10</sub> (T <sub>max</sub> ) ebm-papst standard	Life expectancy L <sub>10</sub> DFC (40 °C) see page 15	Curve
	m <sup>3</sup> /h	cfm													
AC 4400 FNN	205	121	100...240	50 / 60	85...265	53	6.2	■ / ■	12	4 850	-20...+70	60 000 / 30 000	102 500	①	

Subject to change

Speed variants available on request.



Air performance measured according to: ISO 5801.  
Installation category A, without contact protection.  
Noise: Total sound power level L<sub>WA</sub> ISO 10302 measured on a hemisphere with a radius of 2 m.  
Sound pressure level L<sub>PA</sub> measured at 1 m distance from fan axis.  
The values given are applicable only under the specified measuring conditions and may differ depending on the installation conditions.  
In the event of deviation from the standard configuration, the parameters must be checked after installation!  
For detailed information see <http://www.ebmpapst.com/general conditions>



Max. 204 m<sup>3</sup>/h

# ACmaxx axial fans

□ 119 x 32 mm



- **Material:** Housing: GRP<sup>1)</sup> (PBTP)  
Impeller: GRP<sup>1)</sup> (PA)
  - **Direction of air flow:** Exhaust over struts
  - **Direction of rotation:** Clockwise, looking towards rotor
  - **Connection:** Via single wires AWG 22, TR 64
  - **Highlights:** Universally usable for all power voltages between 85 and 265 VAC
  - **Weight:** 325 g
- **Possible special versions:** (See chapter DC fans - specials)
    - Speed signal
    - Go / NoGo alarm
    - Alarm with speed limit
    - External temperature sensor
    - Internal temperature sensor
    - PWM control input
    - Analog control input
    - Moisture protection
    - Salt spray protection
    - Degree of protection: IP 65

1) Fiberglass-reinforced plastic

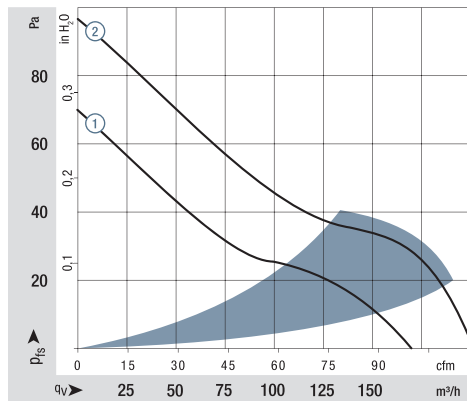
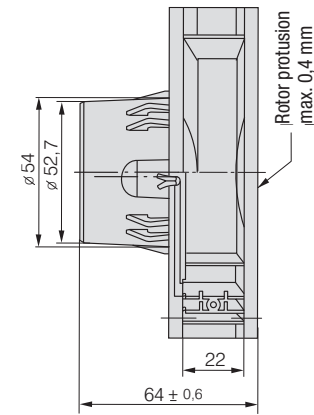
Series AC 4300  
WVC0119ASJAZ

**Nominal data**

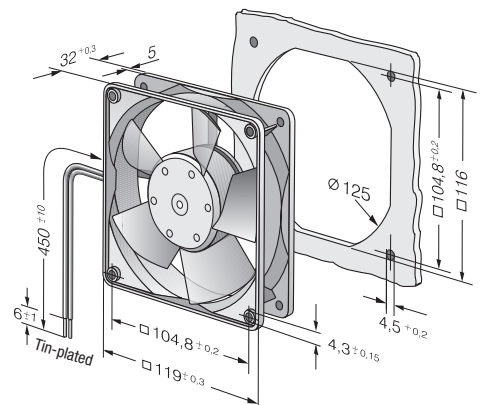
Type	Air flow		Nominal voltage	Frequency	Voltage range	Sound pressure level	Sound power level	Sinter sleeve bearings Ball bearings	Power consumption	Nominal speed	Temperature range	Service life L <sub>10</sub> (40 °C) ebm-papst standard	Service life L <sub>10</sub> (T <sub>max</sub> ) ebm-papst standard	Life expectancy L <sub>10</sub> DFC (40 °C) see page 15	Curve
	m <sup>3</sup> /h	cfm													
AC 4300	170	100	100...240	50 / 60	85...265	45	5.8	■	6.7	2 800	-20...+50	70 000 / 25 000	117 500		①
AC 4300 H	204	120	100...240	50 / 60	85...265	51	6.4	■	12	3 400	-20...+70	45 000 / 22 500	75 500		②

Subject to change

Speed variants available on request.



Air performance measured according to: ISO 5801.  
Installation category A, without contact protection.  
Noise: Total sound power level L<sub>WA</sub> ISO 10302 measured on a hemisphere with a radius of 2 m.  
Sound pressure level L<sub>PA</sub> measured at 1 m distance from fan axis.  
The values given are applicable only under the specified measuring conditions and may differ depending on the installation conditions.  
In the event of deviation from the standard configuration, the parameters must be checked after installation!  
For detailed information see <http://www.ebmpapst.com/general-conditions>



Max. 175 m<sup>3</sup>/h

# GreenTech EC tubeaxial fans

□ 119 x 38 mm



- **Material:** Housing: GRP<sup>1)</sup> (PBT)  
Impeller: GRP<sup>1)</sup> (PA)
- **Direction of air flow:** Exhaust over struts
- **Direction of rotation:** Clockwise, looking towards rotor
- **Connection:** Via single wires AWG 24
- **Highlights:** Power supply and drive electronics completely integrated. Universally usable for all power voltages between 90 and 264 VAC. Compact design.
- **Weight:** 250 g

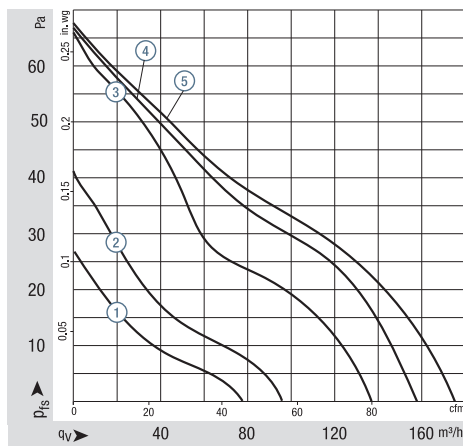
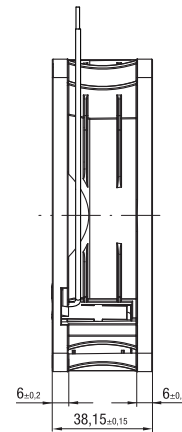
- **Possible special versions:**  
(See chapter DC fans - specials)
  - Moisture protection
  - Salt spray protection
  - Degree of protection: IP 65

1) Fiberglass-reinforced plastic

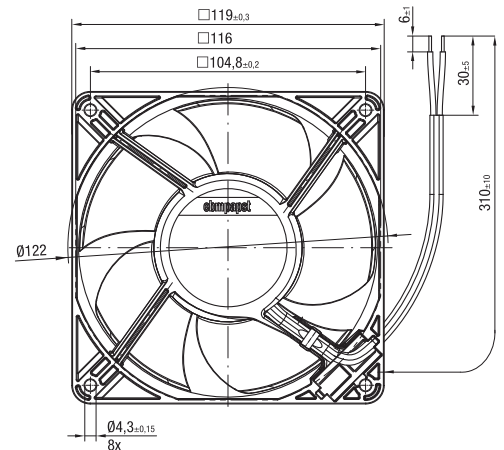
Series ACi 4400 N  
VWC0120YSGBS

Nominal data	Air flow	Air flow	Nominal voltage	Frequency	Voltage range	Sound pressure level	Sound power level	Sintec sleeve bearings	Ball bearings	Power consumption	Nominal speed	Temperature range	Service life L <sub>10</sub> (40 °C) ebm-papst standard	Service life L <sub>10</sub> (T <sub>max</sub> ) ebm-papst standard	Life expectancy L <sub>10</sub> DFC (40 °C) see page 15	Curve
Type	m <sup>3</sup> /h	cfm	VAC	Hz	VAC	dB(A)	Bel(A)	□/■	Watts	rpm <sup>-1</sup>	°C	Hours	Hours	Hours		
ACi 4400 NLU	78	46	100...240	50 / 60	90...264	23	3.7	■	1.1	1 500	-40...+75	65 000 / 25 000	110 000	①		
ACi 4400 NMLU	100	59	100...240	50 / 60	90...264	25	4.1	■	1.7	1 850	-40...+75	65 000 / 25 000	110 000	②		
ACi 4400 NNU	140	82	100...240	50 / 60	90...264	36	4.8	■	2.8	2 700	-40...+75	65 000 / 25 000	110 000	③		
ACi 4400 NHU	160	94	100...240	50 / 60	90...264	39	5.2	■	3.8	3 000	-40...+70	65 000 / 25 000	110 000	④		
ACi 4400 NHHU	175	103	100...240	50 / 60	90...264	43	5.5	■	4.6	3 300	-40...+70	65 000 / 25 000	110 000	⑤		

Subject to change



Air performance measured according to: ISO 5801.  
Installation category A, without contact protection.  
Noise: Total sound power level L<sub>WA</sub> ISO 10302 measured on a hemisphere with a radius of 2 m.  
Sound pressure level L<sub>PA</sub> measured at 1 m distance from fan axis.  
The values given are applicable only under the specified measuring conditions and may differ depending on the installation conditions.  
In the event of deviation from the standard configuration, the parameters must be checked after installation!  
For detailed information see <http://www.ebmpapst.com/general-conditions>





Max. 175 m<sup>3</sup>/h

# GreenTech EC tubeaxial fans

□ 119 x 38 mm



- **Material:** Housing: GRP<sup>1)</sup> (PBT)  
Impeller: GRP<sup>1)</sup> (PA)
- **Direction of air flow:** Exhaust over struts
- **Direction of rotation:** Clockwise, looking towards rotor
- **Connection:** Via single wires AWG 24
- **Highlights:** Power supply and drive electronics completely integrated. Universally usable for all power voltages between 90 and 264 VAC. Compact design.
- **Weight:** 250 g

- **Possible special versions:** (See chapter DC fans - specials)
  - Speed signal
  - PWM control input
  - Analog control input
  - Moisture protection
  - Salt spray protection
  - Degree of protection: IP 65
  - Approval for refrigeration products acc. to EN60335-24 / EN60335-89 and ATEX acc. to EN60079-15

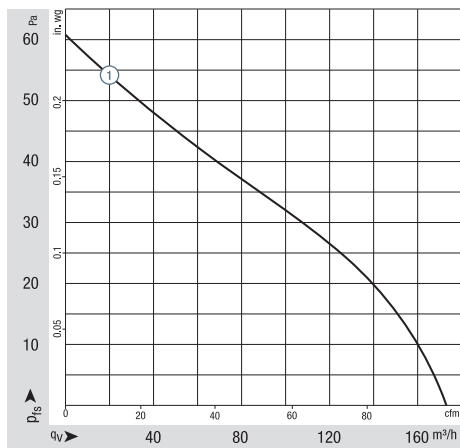
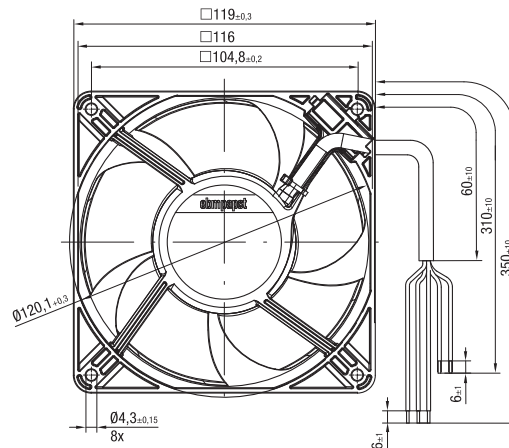
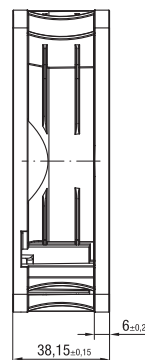
1) Fiberglass-reinforced plastic

Series ACi 4400  
VWC0120YSGBS

**Nominal data**

Type	Air flow		Nominal voltage	Frequency	Voltage range	Sound pressure level	Sound power level	Sinter sleeve bearings Ball bearings	Power consumption	Nominal speed	Temperature range	Service life L <sub>10</sub> (40 °C) ebm-papst standard	Service life L <sub>10</sub> (T <sub>max</sub> ) ebm-papst standard	Life expectancy L <sub>10</sub> IPPC (40 °C) see page 15	Curve
	m <sup>3</sup> /h	cfm													
ACi 4400 HHAU	175	103	100...240	50 / 60	90...264	43	5.5	■	4.6	3 300	-40...+75	65 000 / 25 000	110 000	①	
ACi 4400/2 HHPU	175	103	100...240	50 / 60	90...264	43	5.5	■	4.6	3 300	-40...+75	65 000 / 25 000	110 000	①	

Subject to change



Air performance measured according to: ISO 5801.  
Installation category A, without contact protection.  
Noise: Total sound power level L<sub>WA</sub> ISO 10302 measured on a hemisphere with a radius of 2 m.  
Sound pressure level L<sub>pA</sub> measured at 1 m distance from fan axis.  
The values given are applicable only under the specified measuring conditions and may differ depending on the installation conditions.  
In the event of deviation from the standard configuration, the parameters must be checked after installation!  
For detailed information see <http://www.ebmpapst.com/general conditions>

Max. 350 m<sup>3</sup>/h

# ACmaxx axial fans

Ø 172 x 51 mm



- **Material:** Housing: Die-cast aluminum  
Impeller: GRP<sup>1)</sup> (PA)
  - **Direction of air flow:** Exhaust over struts
  - **Direction of rotation:** Counterclockwise, looking towards rotor
  - **Connection:** Via single wires AWG 22, TR 64
  - **Highlights:** Universally usable for all power voltages between 85 and 265 VAC, 50-60 Hz  
Housing with grounding lug for screw M4 x 8 (Torx)
  - **Weight:** 900 g
- **Possible special versions:** (See chapter DC fans - specials)
    - Speed signal
    - Go / NoGo alarm
    - Alarm with speed limit
    - External temperature sensor
    - Internal temperature sensor
    - PWM control input
    - Analog control input
    - Moisture protection
    - Salt spray protection
    - Degree of protection: IP 65

1) Fiberglass-reinforced plastic

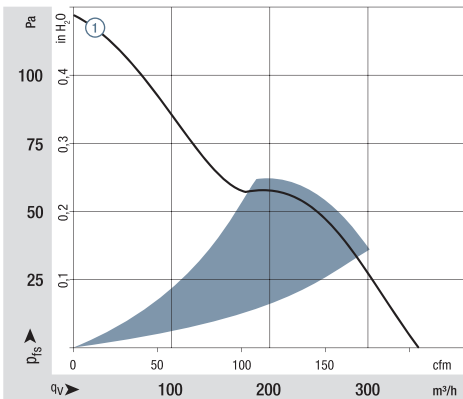
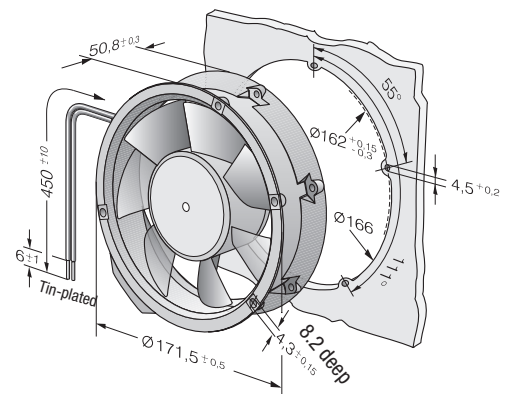
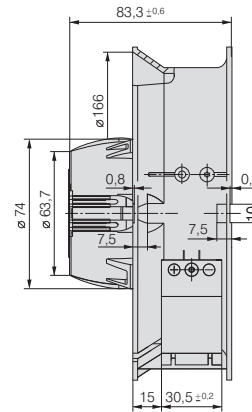
Series AC 6200 N  
VWS0143XSLCS

**Nominal data**

Type	Air flow		Nominal voltage	Frequency	Voltage range	Sound pressure level	Sound power level	Sinter sleeve bearings Ball bearings	Power consumption	Nominal speed	Temperature range	Service life L <sub>10</sub> (40 °C) ebm-papst standard	Service life L <sub>10</sub> (T <sub>max</sub> ) ebm-papst standard	Life expectancy L <sub>10</sub> (IPPC (40 °C) see page 15	Curve
	m <sup>3</sup> /h	cfm													
AC 6200 NM	350	206	100...240	50 / 60	85...265	50	5.7	■	14	2 850	-20...+70	80 000 / 40 000	135 000	①	

Subject to change

Speed variants available on request.



Air performance measured according to: ISO 5801.  
Installation category A, without contact protection.  
Noise: Total sound power level L<sub>WA</sub> ISO 10302 measured on a hemisphere with a radius of 2 m.  
Sound pressure level L<sub>pA</sub> measured at 1 m distance from fan axis.  
The values given are applicable only under the specified measuring conditions and may differ depending on the installation conditions.  
In the event of deviation from the standard configuration, the parameters must be checked after installation!  
For detailed information see <http://www.ebmpapst.com/general-conditions>



Max. 370 m<sup>3</sup>/h

# Energy-saving axial fans

Ø 130 mm



- **Material:** Housing: PP plastic, fiberglass-reinforced; Blades: PA plastic, fiberglass-reinforced
- **Number of blades:** 7
- **Direction of air flow:** "V", exhaust over struts
- **Direction of rotation:** Counterclockwise, looking towards rotor
- **Degree of protection:** IP 54
- **Insulation class:** "B"
- **Installation position:** Any
- **Condensation drainage holes:** None
- **Mode of operation:** Continuous operation (S1)
- **Bearings:** Maintenance-free ball bearings

WWS0130XSLBS

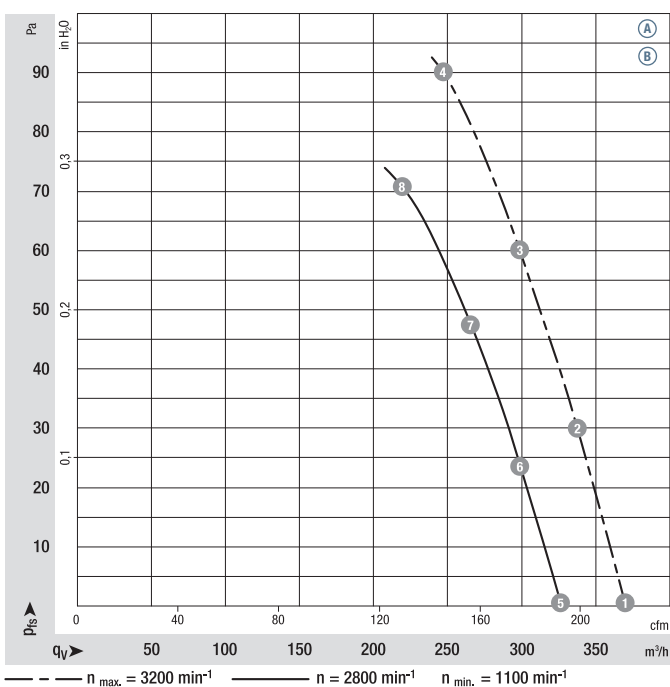
## Nominal data

Type	Motor	Curve	Nominal voltage	Frequency	Nominal speed	Max. power consumption <sup>(1)</sup>	Max. input current <sup>(1)</sup>	Max. back-pressure	Admissible amb. temp.	Weight	Connection diagram
Type	Motor	VAC	Hz	rpm <sup>-1</sup>	W	A	Pa	°C	kg		
<b>W1G130-AA49 -01</b>	M1G055-AI	Ⓐ	1~115	50/60	3200	24	0.38	90	-30..+60	0.75	p. 281 / J7)
<b>W1G130-AA25 -01</b>	M1G055-AI	Ⓑ	1~230	50/60	3200	24	0.19	90	-30..+70	0.75	p. 281 / J7)

Subject to change

<sup>(1)</sup> Nominal data in operating point with maximum load and 115 or 230 VAC

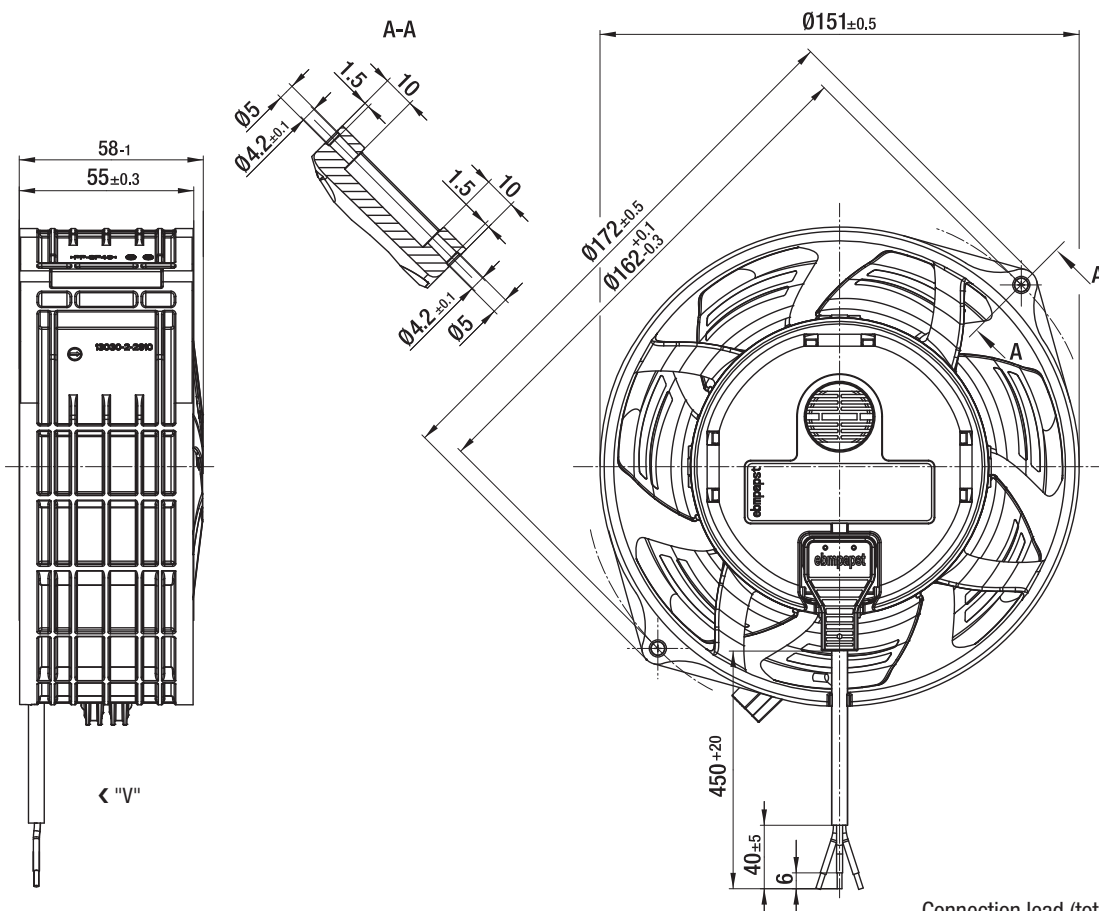
## Curves:



	n	P <sub>ed</sub>	I	L <sub>WA</sub>
	rpm <sup>-1</sup>	W	A	dB(A)
Ⓐ ①	3200	23	0.38	63
Ⓐ ②	3200	24	0.38	61
Ⓐ ③	3200	24	0.38	60
Ⓐ ④	3200	24	0.38	63
Ⓐ ⑤	2800	16	0.26	60
Ⓐ ⑥	2800	16	0.26	58
Ⓐ ⑦	2800	16	0.26	57
Ⓐ ⑧	2800	16	0.26	60
Ⓑ ①	3200	23	0.19	63
Ⓑ ②	3200	24	0.19	61
Ⓑ ③	3200	24	0.19	60
Ⓑ ④	3200	24	0.19	63
Ⓑ ⑤	2800	16	0.13	60
Ⓑ ⑥	2800	16	0.13	58
Ⓑ ⑦	2800	16	0.13	57
Ⓑ ⑧	2800	16	0.13	60

Air performance measured according to: ISO 5801, installation category A, in ebm-papst full nozzle without contact protection. Suction-side noise levels: L<sub>WA</sub> according to ISO 13347, L<sub>pA</sub> measured at 1 m distance from fan axis. The values given are applicable only under the specified measuring conditions and may differ depending on the installation conditions. In the event of deviation from the standard configuration, the parameters must be checked after installation! For detailed information see <http://www.ebmpapst.com/general-conditions>

- **Motor protection:** Via electronics and thermal overload protector
- **Electrical hookup:** Plug-in connection on motor side
- **Protection class:** II
- **Conformity with standard(s):** CE; EN 60335-1
- **Approvals:** VDE, GOST (are available); UL, CSA (are applied for)
- **Speed:** Using the programming unit 2 speeds between  $n_{min}$  and  $n_{max}$  can be programmed



Connection lead (total length 450 mm) is fitted ex works and can be detached.

Max. 1065 m<sup>3</sup>/h

# EC axial fans

Ø 200 mm



- **Material:** Housing: Die-cast aluminum  
Blades: PP plastic  
Rotor: Thick-film passivated
- **Number of blades:** 7
- **Direction of air flow:** "V"
- **Direction of rotation:** Counterclockwise, looking towards rotor
- **Degree of protection:** Depending on installation and position<sup>(2)</sup>
- **Insulation class:** "B"
- **Installation position:** Any
- **Condensate discharges:** None, open rotor
- **Mode of operation:** Continuous operation (S1)
- **Bearings:** Maintenance-free ball bearings

VWT0200XSLCS

### Nominal data

Type	Motor	Curve	Nominal voltage	Frequency	Nominal speed	Max. power consumption <sup>(1)</sup>	Max. input current <sup>(1)</sup>	Max. back-pressure	Admissible amb. temp.	Weight	Technical features and connection diagram
		VAC	Hz	rpm <sup>-1</sup>	W	A	Pa	°C	kg		
<b>W3G200-HD01 -01</b>	M3G 055-BD	Ⓐ	1~ 200-240	50/60	2 900	54	0.55	96	-25..+60	1.6	P. 275 / H3)
<b>W3G200-HD01 -03</b>	M3G 055-BD	Ⓑ	1~ 200-240	50/60	2 900	54	0.55	96	-25..+60	1.6	P. 276 / H4)
<b>W3G200-HD23 -10</b>	M3G 055-BD	Ⓒ	1~ 115	50/60	2 900	65	1.00	94	-25..+60	1.6	P. 276 / H4)

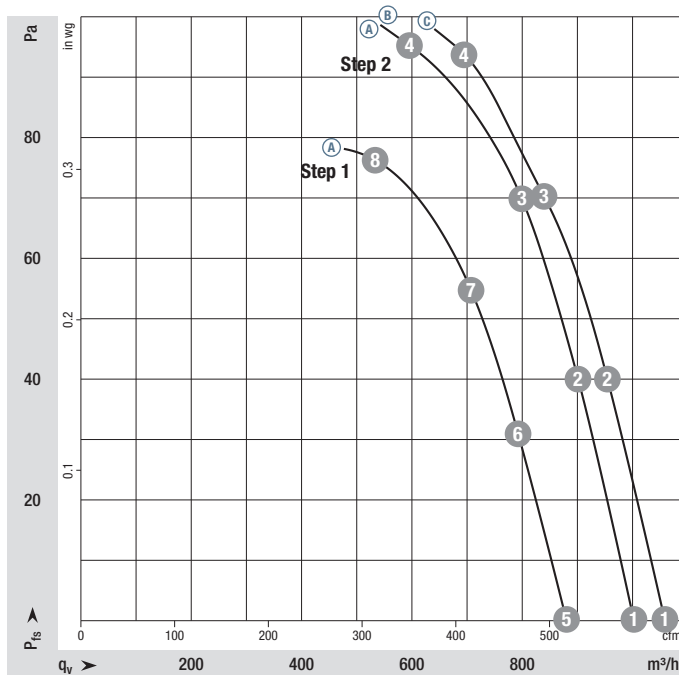
Subject to change

<sup>(1)</sup> Nominal data in operating point with maximum load and 230 VAC

<sup>(2)</sup> Not suitable for permanent outdoor use. Special version available on request.

### Curves:

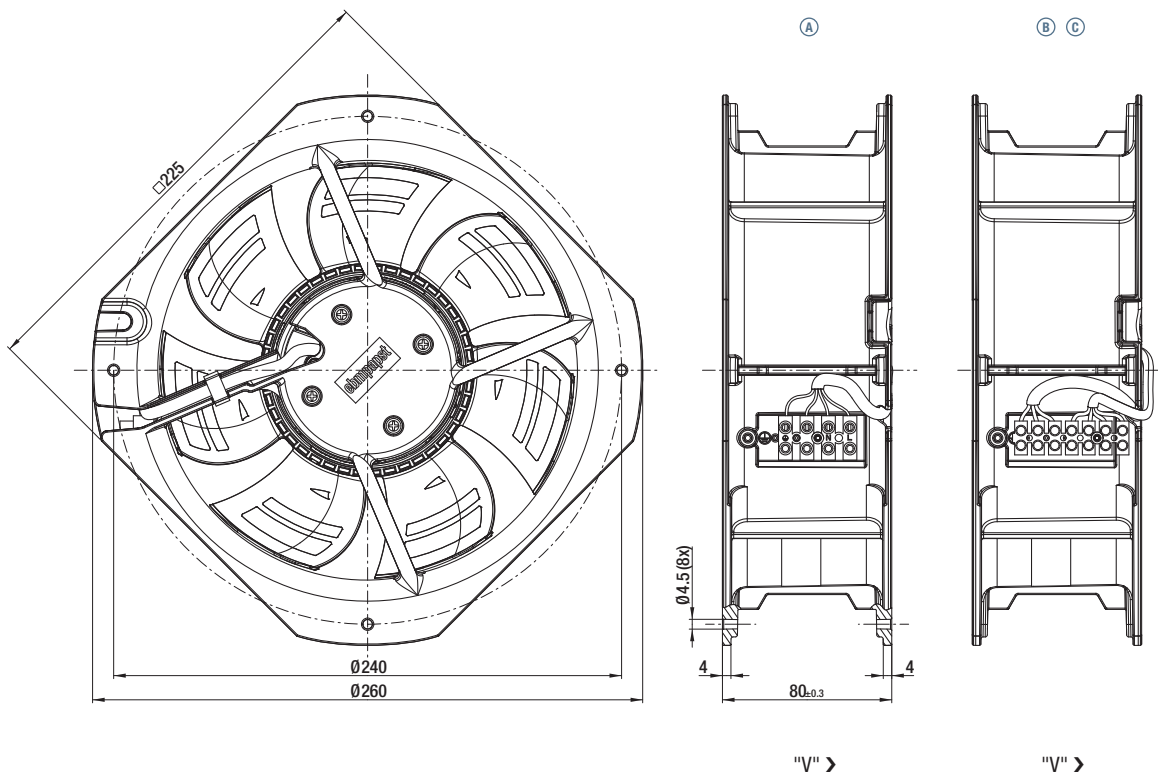
- Ⓐ 2 Speed stages
- Ⓑ Ⓒ Speed-controlled



	n rpm <sup>-1</sup>	P <sub>ed</sub> W	I A	L <sub>w</sub> A dB(A)
Ⓐ 1	2970	50	0.49	65
Ⓐ 2	2890	54	0.53	64
Ⓐ 3	2830	58	0.56	65
Ⓐ 4	2900	54	0.55	70
Ⓐ 5	2645	36	0.37	62
Ⓐ 6	2575	39	0.40	61
Ⓐ 7	2530	42	0.42	62
Ⓐ 8	2500	43	0.43	67
Ⓑ 1	2970	50	0.49	65
Ⓑ 2	2890	54	0.53	64
Ⓑ 3	2830	58	0.56	65
Ⓑ 4	2900	54	0.55	70
Ⓒ 1	3150	62	1.00	66
Ⓒ 2	3050	65	1.00	66
Ⓒ 3	2930	65	1.00	72
Ⓒ 4	2900	65	1.00	74

Air performance measured according to: ISO 5801, Installation category A, without contact protection. Suction-side noise levels: L<sub>w</sub>A according to ISO 13347, L<sub>p</sub>A measured at 1 m distance from fan axis. The values given are applicable only under the specified measuring conditions and may differ depending on the installation conditions. In the event of deviation from the standard configuration, the parameters must be checked after installation! For detailed information see <http://www.ebmpapst.com/general-conditions>

- **Technical features:** See connection diagram p. 275/276
- **Touch current:**  $\leq 3.5$  mA acc. to IEC 60990 (test circuit, illustration 4)
- **Electrical hookup:** Via terminal strip
- **Protection class:** I (with customer connection to grounding conductor)
- **Conformity with standard(s):** EN 60335-1, CE
- **Approvals:** VDE, cUR<sub>us</sub>



Max. 1910 m<sup>3</sup>/h

# EC axial fans

Ø 250 mm



- **Material:** Housing: Die-cast aluminum  
Blades: PP plastic  
Rotor: Thick-film passivated
- **Number of blades:** 7
- **Direction of air flow:** "V"
- **Direction of rotation:** Counterclockwise, looking towards rotor
- **Degree of protection:** Depending on installation and position<sup>(2)</sup>
- **Insulation class:** "B"
- **Installation position:** Any
- **Condensate discharges:** None, open rotor
- **Mode of operation:** Continuous operation (S1)
- **Bearings:** Maintenance-free ball bearings

VWT0250XSLES

## Nominal data

Type	Motor	Curve	Nominal voltage	Frequency	Nominal speed	Max. power consumption <sup>(1)</sup>	Max. input current <sup>(1)</sup>	Max. back-pressure	Admissible amb. temp.	Weight	Technical features and connection diagram
		VAC	Hz	rpm <sup>-1</sup>	W	A	Pa	°C	kg		
<b>W3G250-HH07 -01</b>	M3G 055-CF	Ⓐ	1~ 200-240	50/60	2 330	83	0.72	100	-25...+60	2.1	P. 275 / H3)
<b>W3G250-HH07 -03</b>	M3G 055-CF	Ⓑ	1~ 200-240	50/60	2 330	83	0.72	100	-25...+60	2.1	P. 276 / H4)
<b>W3G250-HH53 -03</b>	M3G 055-CF	Ⓒ	1~ 115	50/60	2 040	56	0.90	80	-25...+50	2.1	P. 276 / H4)
<b>W3G250-HK35 -11</b>	M3G 055-CF	Ⓓ	1~ 115	50/60	2 700	125	1.90	130	-25...+60	2.1	P. 276 / H4)

Subject to change

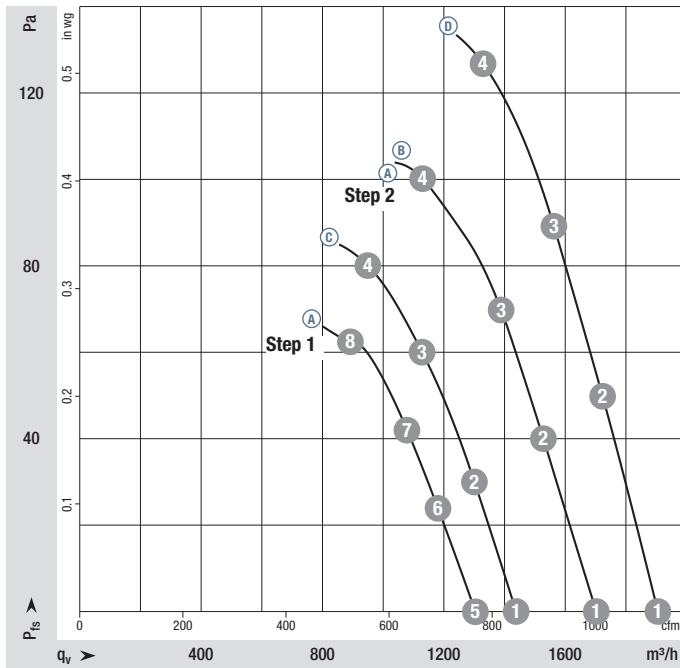
<sup>(1)</sup> Nominal data in operating point with maximum load and 230 VAC

<sup>(2)</sup> Not suitable for permanent outdoor use. Special version available on request.

### Curves:

Ⓐ 2 Speed stages

Ⓑ Ⓒ Ⓓ Speed-controlled

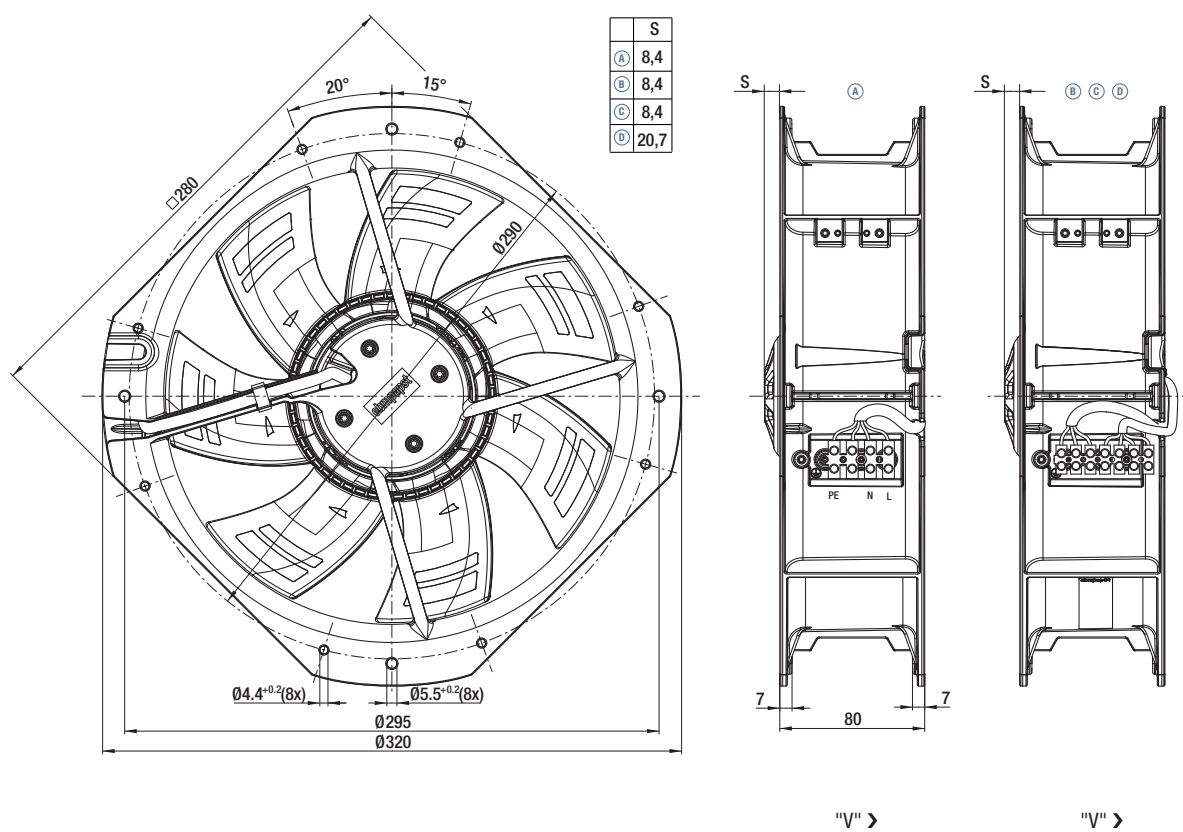


Air performance measured according to: ISO 5801, Installation category A, without contact protection. Suction-side noise levels: L<sub>WA</sub> according to ISO 13347, L<sub>WA</sub> measured at 1 m distance from fan axis. The values given are applicable only under the specified measuring conditions and may differ depending on the installation conditions. In the event of deviation from the standard configuration, the parameters must be checked after installation! For detailed information see <http://www.ebmpapst.com/general-conditions>

	n rpm <sup>-1</sup>	P <sub>ed</sub> W	I A	L <sub>WA</sub> dB(A)
Ⓐ 1	2465	67	0.59	69
Ⓐ 2	2410	75	0.65	69
Ⓐ 3	2375	80	0.68	68
Ⓐ 4	2330	83	0.72	69
Ⓐ 5	1900	33	0.33	63
Ⓐ 6	1880	37	0.37	63
Ⓐ 7	1860	40	0.38	62
Ⓐ 8	1850	42	0.40	63
Ⓑ 1	2465	67	0.59	69
Ⓑ 2	2410	75	0.65	69
Ⓑ 3	2375	80	0.68	68
Ⓑ 4	2330	83	0.72	69
Ⓒ 1	2140	43	0.72	63
Ⓒ 2	2100	49	0.80	63
Ⓒ 3	2070	53	0.86	64
Ⓒ 4	2040	56	0.90	65
Ⓓ 1	2820	93	1.43	70
Ⓓ 2	2760	106	1.61	71
Ⓓ 3	2725	114	1.72	71
Ⓓ 4	2700	125	1.90	71



- **Technical features:** See connection diagram p. 275/276
- **Touch current:**  $\leq 3.5$  mA acc. to IEC 60990 (test circuit, illustration 4)
- **Electrical hookup:** Via terminal strip
- **Protection class:** I (with customer connection to grounding conductor)
- **Conformity with standard(s):** EN 60335-1, CE
- **Approvals:** VDE, cUR<sub>us</sub>



Max. 135 m<sup>3</sup>/h

# ACmaxx in-line duct fan

Ø 98.5 x 130 mm



- **Material:** Housing: GRP<sup>1)</sup> (PBT)  
Impeller: GRP<sup>1)</sup> (PA)
- **Direction of air flow:** Intake over struts
- **Direction of rotation:** Clockwise, looking towards rotor
- **Connection:** Via 3-pin Europa terminal strip max. 1.5 mm<sup>2</sup>
- **Highlights:** Universally usable for all main voltages between 85 and 265 VAC, 50-60 Hz, Boost function  
Vibration-isolated motor  
Optional: new impeller for high pressure. Two speeds over jumper adjustable
- **Weight:** 400 g

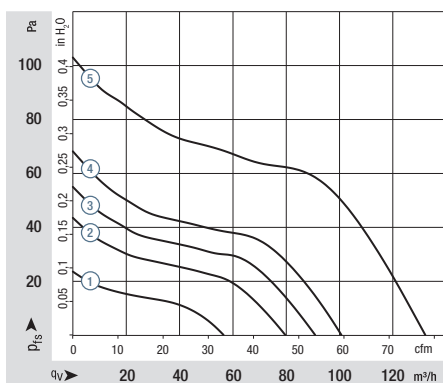
1) Fiberglass-reinforced plastic

Series AC 100 VUS0092XSGBS		Air flow		Nominal voltage	Frequency	Voltage range	Sound pressure level	Sound power level	Sinter sleeve bearings Ball bearings	Power consumption	Nominal speed	Temperature range	Service life L <sub>10</sub> (40 °C) ebm-papst standard	Service life L <sub>10</sub> (T <sub>max</sub> ) ebm-papst standard	Life expectancy L <sub>10</sub> DFC (40 °C) see page 15	Curve
Nominal data		m <sup>3</sup> /h	cfm	VAC	Hz	VAC	dB(A)	Bel(A)	□/■	Watts	rpm <sup>-1</sup>	°C	Hours	Hours		
Type	high air flow	m <sup>3</sup> /h	cfm	VAC	Hz	VAC	dB(A)	Bel(A)	□/■	Watts	rpm <sup>-1</sup>	°C	Hours	Hours		
Nominal boost	AC 100 MR	55 90	32 53	100...240	50-60	85...265	33 40	4.5 5.0	■	1.8 3.8	2 050 3 150	-10...+55	70 000 / 50 000	117 500		① ③
Nominal Boost	AC 100 NR	80 105	47 62	100...240	50-60	85...265	35 42	4.7 5.3	■	2.5 4.5	2 750 3 500	-10...+55	70 000 / 50 000	117 500		② ④
Max.	AC 100 HR*	135	79	100...240	50-60	85...265	tbd	tbd	■	7.0	4 500	-10...+55	tbd	tbd		⑤

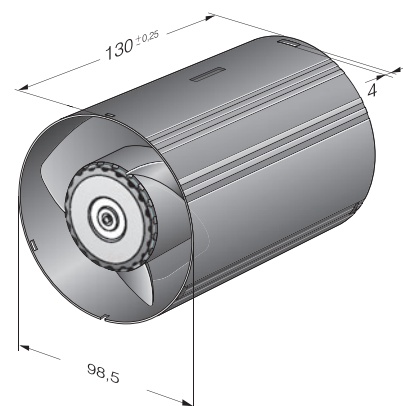
Subject to change

\* On request

Impeller	Type	Boost off, Jumper low	Boost off, Jumper high	Boost on
High air flow	AC 100 MR	1 250	2 050	3 150
High air flow	AC 100 NR	2 200*	2 750	3 500
High pressure	AC 100 MR*	1 250*	2 050*	3 150*
High pressure	AC 100 NR-017	2 180	2 680	3 300



Air performance measured according to: ISO 5801.  
Installation category A, without contact protection.  
Noise: Total sound power level L<sub>WA</sub> ISO 10302 measured on a hemisphere with a radius of 2 m.  
Sound pressure level L<sub>pA</sub> measured at 1 m distance from fan axis.  
The values given are applicable only under the specified measuring conditions and may differ depending on the installation conditions.  
In the event of deviation from the standard configuration, the parameters must be checked after installation!  
For detailed information see <http://www.ebmpapst.com/general-conditions>



Max. 135 m<sup>3</sup>/h

# ACmaxx in-line duct fan

Ø 98.5 x 130 mm



- **Material:** Housing: GRP<sup>1)</sup> (PBT)  
Impeller: GRP<sup>1)</sup> (PA)
- **Direction of air flow:** Intake over struts
- **Direction of rotation:** Clockwise, looking towards rotor
- **Connection:** Via 3-pin Europa terminal strip max. 1.5 mm<sup>2</sup>
- **Highlights:** Universally usable for all main voltages between 85 and 265 VAC, 50-60 Hz, Boost function  
Vibration-isolated motor  
Optional: new impeller for high pressure. Two speeds over jumper adjustable
- **Weight:** 400 g

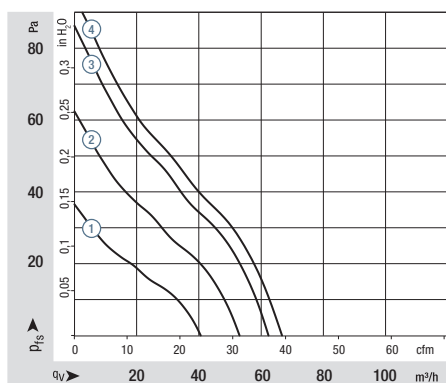
1) Fiberglass-reinforced plastic

Series AC 100 VUS0092XSGBS		Air flow		Nominal voltage	Frequency	Voltage range	Sound pressure level	Sound power level	Sintec sleeve bearings Ball bearings	Power consumption	Nominal speed	Temperature range	Service life L <sub>10</sub> (40 °C) ebm-papst standard	Service life L <sub>10</sub> (T <sub>max</sub> ) ebm-papst standard	Life expectancy L <sub>10</sub> DFC (40 °C) see page 15	Curve
Type high pressure		m <sup>3</sup> /h	cfm	VAC	Hz	VAC	dB(A)	Bel(A)	□/■	Watts	rpm <sup>-1</sup>	°C	Hours	Hours		
Nominal Boost	AC 100 MR*	40 62	23 36	100...240	50-60	85...265	31 38	4.2 4.7	□ ■	tbd tbd	2 050* 3 150*	-10...+55	70 000 / 50 000	117 500		⑥ ⑧
Nominal Boost	AC 100 NR-017	53 66	31 39	100...240	50-60	85...265	33 40	4.4 5.0	□ ■	2.8 3.5	2 680 3 300	-10...+55	70 000 / 50 000	117 500		⑦ ⑧

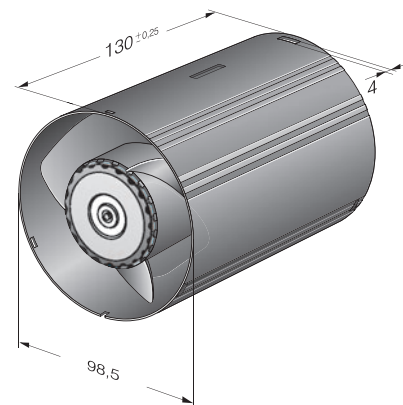
Subject to change

\* on request

Impeller	Type	Boost off, Jumper low	Boost off, Jumper high	Boost on
High air flow	AC 100 MR	1 250	2 050	3 150
High air flow	AC 100 NR	2 200*	2 750	3 500
High pressure	AC 100 MR*	1 250*	2 050*	3 150*
High pressure	AC 100 NR-017	2 180	2 680	3 300

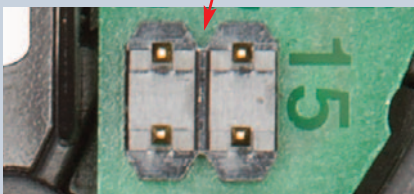
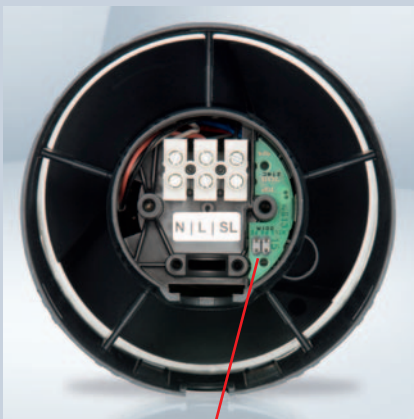


Air performance measured according to: ISO 5801.  
Installation category A, without contact protection.  
Noise: Total sound power level L<sub>w</sub>A ISO 10302 measured on a hemisphere with a radius of 2 m.  
Sound pressure level L<sub>p</sub>A measured at 1 m distance from fan axis.  
The values given are applicable only under the specified measuring conditions and may differ depending on the installation conditions.  
In the event of deviation from the standard configuration, the parameters must be checked after installation!  
For detailed information see <http://www.ebmpapst.com/general-conditions>



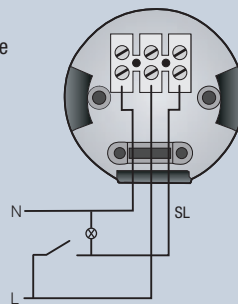
**Highest energy efficiency:** 0.03 - 0.045 W/m<sup>3</sup>/h free air (specific fan power).  
**Boost speed:** 2 speed settings possible via boost function.  
**Vibration isolation:** Reduced transmission of vibrations from motor to housing.  
**Intelligence:** Can be expanded to include set value requirement and signal outputs as an option.

### Examples of connections

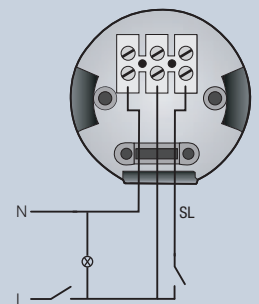


Jumper Low  
Jumper High

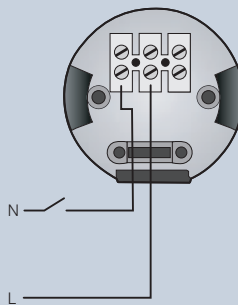
**Example 1:**  
Nom speed endurance  
Boost via light switch



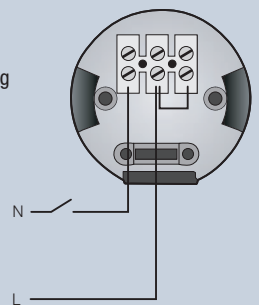
**Example 2:**  
Nom speed via light switch  
Separate boost switch



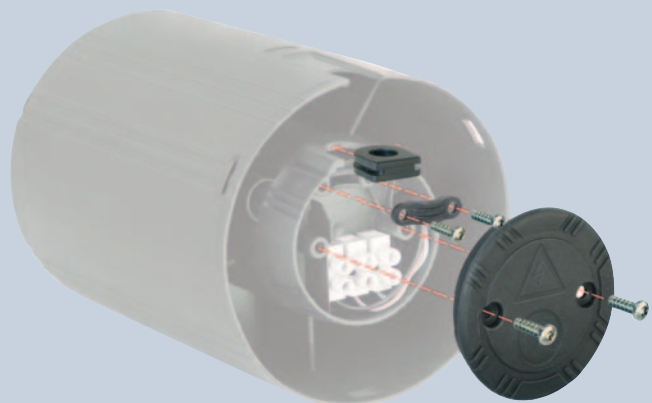
**Example 3:**  
Simple connection  
Nom speed without switching



**Example 4:**  
Simple connection  
Boost without switching



### Scope of delivery







# AC axial fans



AC axial fan overview  
AC axial fans

217  
218

# AC axial fans

## Technical information



### Product line

The renowned ebm-papst AC fans are used when DC voltage is not available. The AC range of fans is based on experience gained from decades of development know-how, millions of units in series production, and the innovation competence of a world-wide technology pioneer.

In this catalog, we offer you the broad spectrum of our AC fans. In addition to complete systems, you will also find fans without external housing. They offer economic benefits whenever the air duct design can be integrated in the respective device.

### Variety of sizes

AC fans are available in a variety of sizes with either air exhaust or air intake over struts. Silent running models with sleeve bearings. Electrical connection with plug connection or external exposed connection wires are available.

### Shaded-pole or capacitor motors

Fan drives by shaded-pole or capacitor motors, most of which incorporate the world-famous ebm-papst external rotor principle. The fan blades are directly attached to the external rotor of the external rotor motor. This construction combining high performance with profitability.

### Flat built AC fans

ebm-papst also has AC fans with a particularly flat construction and an internal rotor motor. Their advantage: quick start to full speed. A plastic impeller and the smaller and lighter internal rotor motor result in lower rotational inertia.

### Bearings

AC fans with sleeve bearings are powered by Class E insulated motors. Fans with ball bearings are equipped with Class B, E, or F insulated motors.

### Degree of protection

All ebm-papst fans conform to the requirements of IP 20. IP 54 / IP 65 and special degrees of protection are available on request.

### AC voltage

The line of AC fans for Euro voltage according to IEC 60038 (230 V  $\pm$  10 %) is also available in 115 V.

### Frequencies

AC fans can be operated at frequencies of 50 or 60 Hz. In this case, their technical data changes accordingly.

### Capacitor

Fans driven by capacitor external motors provide particularly high operating efficiency. Generally, the required motor run capacitor is already integrated in the fan housing.

### Overloading

Almost all AC fans are protected against overloading (e. g. due to locked rotor) – either impedance protected (marked "Impedance protected" or "Z. P.") or equipped with a thermal switch (marked "Thermally protected" or "Th. P."). The model designation of these fans ends with "S".



# Axial fans for AC operation

## Overview of air performance

Dimensions	Series	Air flow	Air flow (m³/h)											Page						
			10	20	30	40	50	60	70	80	90	100	200		300	400	500	600	700	800
□ 80 x 38	8000 N	30...61	[Performance chart data]											218						
∅ 76 x 37	8000 TV	24...47	[Performance chart data]											219						
□ 92 x 25	3900	31...70	[Performance chart data]											220						
□ 92 x 38	3000	49...89	[Performance chart data]											221						
□ 119 x 25	9900	84...135	[Performance chart data]											222						
□ 119 x 38	4000 N	80...180	[Performance chart data]											223						
□ 119 x 38	4000 Z	100...180	[Performance chart data]											224						
∅ 108 x 37	4600 TZ	125...140	[Performance chart data]											225						
□ 127 x 38	5900	150...206	[Performance chart data]											226						
□ 135 x 38	5600	235...270	[Performance chart data]											227						
150 x 172 x 38	W2E 142	320...380	[Performance chart data]											228						
∅ 150 x 55	W2S 130-AA	325...380	[Performance chart data]											229						
∅ 150 x 55	W2S 130-BM	380...425	[Performance chart data]											230						
∅ 172 x 51	W2E 143	375...500	[Performance chart data]											231						
□ 225 x 80	W2E 200	880...1030	[Performance chart data]											232						
□ 280 x 80	W2E 250	1865	[Performance chart data]											234						
∅ 200	K2E 200	765...830	[Performance chart data]											236						
∅ 200	K2E 200	765...845	[Performance chart data]											238						
∅ 200	K2D 200	780...880	[Performance chart data]											240						

Subject to change

## Overview of technically feasible designs

Dimensions	Series	VDE, UL, CSA	SMTEC sleeve bearings/ Ball bearings	Speed signal	Moisture protection	IP >= 54	IP 65	Salt spray protection	Page
<b>Axial fans</b>									
mm	Series								
□ 80 x 38	8000 N	yes	□/■	-	•	•	•	•	218
∅ 76 x 37	8000 TV	yes	□/■	-	•	•	•	•	219
□ 92 x 25	3900	yes	□/■	-	•	-	-	-	220
□ 92 x 38	3000	yes	□/■	-	•	•	•	•	221
□ 119 x 25	9900	yes	□/■	-	•	-	-	-	222
□ 119 x 38	4000 N	yes	□/■	•	•	•	•	•	223
□ 119 x 38	4000 Z	yes	□/■	•	•	•	•	•	224
∅ 108 x 37	4600 TZ	yes	□/■	-	•	•	•	•	225
□ 127 x 38	5900	yes	□/■	-	•	-	-	-	226
□ 135 x 38	5600	yes	■	-	•	•	-	•	227

Subject to change

• available – not yet available □ Sleeve bearings ■ Ball bearings

Max. 61 m<sup>3</sup>/h

# AC axial fans

□ 80 x 38 mm



- **Material:** Housing: Die-cast aluminum  
Impeller: painted sheet steel
- **Direction of air flow:** Exhaust over struts
- **Direction of rotation:** Clockwise, looking towards rotor
- **Connection:** Via 2 single wires  
grounding lug for M4 x 8
- **Weight:** 490 g
- **Note:** Please note our ACmaxx series.  
With identical mounting dimensions and voltages,  
this series achieves greater energy efficiency.  
See page 196.
- **Possible special versions:**  
(See page 10)
  - Moisture protection
  - Salt spray protection
  - Degree of protection: IP 54 / IP 65

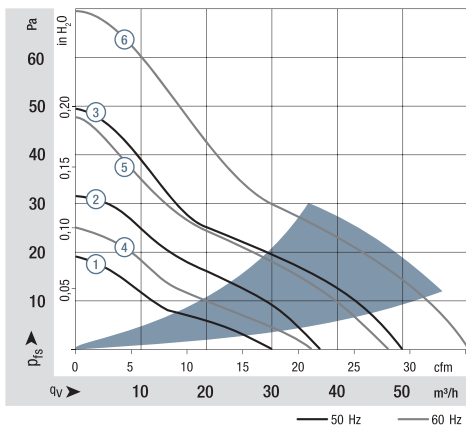
Series 8000 N  
WVC0080AQHCS

**Nominal data**

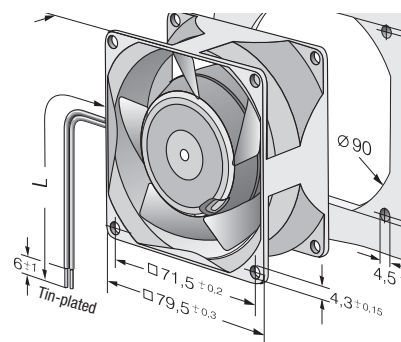
Type	Air flow		Nominal voltage	Frequency	Sound pressure level	Sound power level	Sinter sleeve bearings Ball bearings	Power consumption	Nominal speed	Temperature range	Service life L <sub>10</sub> (40 °C) ebm-papst standard	Service life L <sub>10</sub> (T <sub>max</sub> ) ebm-papst standard	Life expectancy L <sub>10</sub> IPC (40 °C) see page 15	Curve
	m <sup>3</sup> /h	cfm												
8880 N	30	17.7	230	50	18	3.3	□	9.0	1 750	-10...+80	60 000 / 20 000	102 500	102 500	①
8850 N	37	21.8	230	50	24	3.9	□	12.5	2 150	-10...+70	52 500 / 27 500	87 500	87 500	②
8550 N	50	29.4	230	50	30	4.4	□	12.0	2 700	-10...+70	52 500 / 27 500	87 500	87 500	③
8556 N	50	29.4	230	50	31	4.5	■	12.0	2 800	-40...+90	52 500 / 10 000	87 500	87 500	③
8830 N	36	21.2	115	60	21	3.7	□	8.0	1 950	-10...+80	62 500 / 20 000	105 000	105 000	④
8800 N	47	27.7	115	60	28	4.3	□	11.0	2 500	-10...+70	55 000 / 27 500	92 500	92 500	⑤
8500 N	61	35.9	115	60	34	4.8	□	11.0	3 200	-10...+75	55 000 / 22 500	92 500	92 500	⑥
8506 N	61	35.9	115	60	35	5.0	■	11.0	3 300	-40...+95	55 000 / 9 000	92 500	92 500	⑥

Subject to change

Fan type					Length "L"	Connection wires
8880 N	8830 N	8800 N	8550 N	8500 N	310 mm long	AWG 18, TR 64
8556 N	8506 N				310 mm long	AWG 22
8850 N					440 mm long	AWG 18, TR 64



Air performance measured according to: ISO 5801.  
Installation category A, without contact protection.  
Noise: Total sound power level L<sub>WA</sub> ISO 10302 measured on a hemisphere with a radius of 2 m.  
Sound pressure level L<sub>pA</sub> measured at 1 m distance from fan axis.  
The values given are applicable only under the specified measuring conditions and may differ depending on the installation conditions.  
In the event of deviation from the standard configuration, the parameters must be checked after installation!  
For detailed information see  
[http://www.ebmpapst.com/general\\_conditions](http://www.ebmpapst.com/general_conditions)



Max. 47 m<sup>3</sup>/h

# AC axial fans

Ø 76 x 37 mm



- **Material:** Impeller: Die-cast aluminum  
Mounting bracket: Metal
- **Direction of air flow:** Exhaust over mounting bracket
- **Direction of rotation:** Clockwise, looking towards rotor
- **Connection:** Via 2 single wires
- **Weight:** 370 g
- **Possible special versions:** (See page 10)
  - Moisture protection
  - Salt spray protection
  - Degree of protection: IP 54 / IP 65

Series 8000 TV  
VWY0076XQHCS

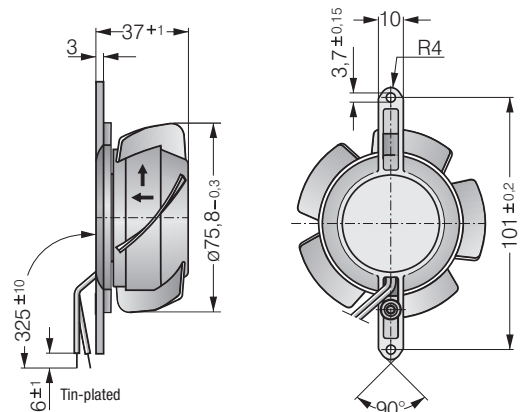
**Nominal data**

Type	Air flow		Nominal voltage	Frequency	Sound pressure level	Sinter sleeve bearings Ball bearings	Power consumption	Nominal speed	Temperature range	Service life L <sub>10</sub> (40 °C) ebm-papst standard	Service life L <sub>10</sub> (T <sub>max</sub> ) ebm-papst standard	Life expectancy L <sub>10</sub> IPPC (40 °C) see page 15
	m <sup>3</sup> /h	cfm										
8880 TV	24	14.1	230	50	15	□	9.0	1 650	-10...+80	60 000 / 20 000		102 500
8850 TV	31	18.2	230	50	20	□	12.0	2 100	-10...+70	52 500 / 25 000		87 500
8550 TV	40	23.5	230	50	27	□	12.0	2 650	-10...+70	52 500 / 25 000		87 500
8556 TV	40	23.5	230	50	28	■	12.0	2 750	-40...+90	52 500 / 15 000		87 500
8830 TV	27	15.9	115	60	18	□	8.0	1 850	-10...+80	62 500 / 20 000		105 000
8800 TV	36	21.2	115	60	24	□	11.0	2 450	-10...+70	55 000 / 27 500		92 500
8500 TV	47	27.7	115	60	32	□	11.0	3 150	-10...+75	55 000 / 22 500		92 500
8506 TV	47	27.7	115	60	33	■	11.0	3 250	-40...+95	55 000 / 9 000		92 500

Subject to change

The air flow and sound level of fans without external housing depend on the installation conditions. The stated air flow and noise have been measured with an orifice 76.5 mm Ø at a distance of approx. 17 mm from the mounting bracket. The air flow capacity of fan series 8000 N is achievable because of the exceptionally favorable installation conditions. The noise in the optimal operating range can be measured for these fans only in a specific application.

Fan type				Length "L"	Connection wires
8880 TV	8850 TV	8830 TV	8800 TV	325 mm long	AWG 18, TR 64
8550 TV	8500 TV			325 mm long	AWG 18, TR 64
8556 TV	8506 TV			325 mm long	AWG 18



Max. 70 m<sup>3</sup>/h

# AC axial fans

□ 92 x 25 mm



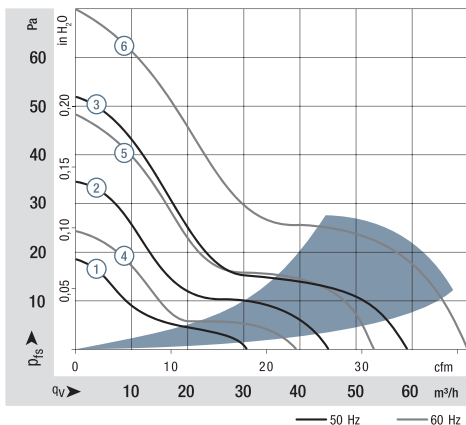
- **Material:** Housing: Die-cast aluminum  
Impeller: Mineral-reinforced PA plastic
- **Direction of air flow:** Exhaust over struts
- **Direction of rotation:** Counterclockwise, looking towards rotor
- **Connection:** Via 2 flat plugs 2.8 x 0.5 mm grounding lug for M4
- **Weight:** 280 g
- **Note:** Please note our ACmaxx series.  
With identical mounting dimensions and voltages, this series achieves greater energy efficiency. See page 197.
- **Possible special versions:** (See page 10)  
- Moisture protection

Series 3900  
WVC0092AQFBS

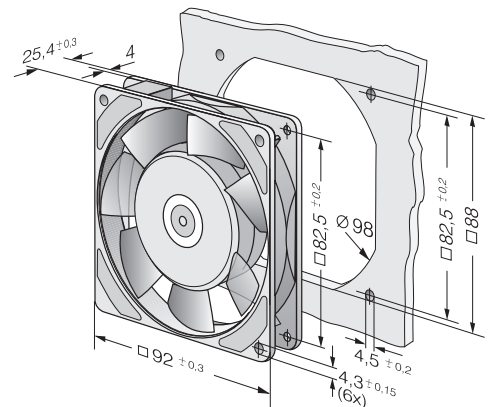
**Nominal data**

Type	Air flow		Nominal voltage	Frequency	Sound pressure level	Sound power level	Sinter sleeve bearings Ball bearings	Power consumption	Nominal speed	Temperature range	Service life L <sub>10</sub> (40 °C) ebm-papst standard	Service life L <sub>10</sub> (T <sub>max</sub> ) ebm-papst standard	Life expectancy L <sub>10</sub> IPC (40 °C) see page 15	Curve
	m <sup>3</sup> /h	cfm												
3950 L	31	18.2	230	50	24	3.8	■	6.0	1 550	-10...+80	70 000 / 22 500	117 500	①	
3956 L	31	18.2	230	50	24	3.8	■	6.0	1 550	-40...+80	70 000 / 22 500	117 500	①	
3950 M	45	26.5	230	50	29	4.2	■	6.0	2 150	-10...+80	70 000 / 22 500	117 500	②	
3956 M	45	26.5	230	50	29	4.2	■	6.0	2 150	-40...+80	70 000 / 22 500	117 500	②	
3950	59	34.7	230	50	35	4.7	■	11.0	2 650	-20...+80	55 000 / 17 500	92 500	③	
3956	59	34.7	230	50	35	4.7	■	11.0	2 650	-40...+80	55 000 / 17 500	92 500	③	
3900 L	39	23.0	115	60	27	4.0	■	5.0	1 850	-10...+80	70 000 / 22 500	117 500	④	
3906 L	39	23.0	115	60	27	4.0	■	5.0	1 850	-40...+80	70 000 / 22 500	117 500	④	
3900 M	53	31.2	115	60	34	4.6	■	5.0	2 600	-10...+80	70 000 / 22 500	117 500	⑤	
3906 M	53	31.2	115	60	34	4.6	■	5.0	2 600	-40...+80	70 000 / 22 500	117 500	⑤	
3900	70	41.2	115	60	40	5.1	■	9.0	3 150	-20...+80	60 000 / 20 000	102 500	⑥	
3906	70	41.2	115	60	40	5.1	■	9.0	3 150	-40...+80	60 000 / 20 000	102 500	⑥	

Subject to change



Air performance measured according to: ISO 5801.  
Installation category A, without contact protection.  
Noise: Total sound power level L<sub>WA</sub> ISO 10302 measured on a hemisphere with a radius of 2 m.  
Sound pressure level L<sub>pA</sub> measured at 1 m distance from fan axis.  
The values given are applicable only under the specified measuring conditions and may differ depending on the installation conditions.  
In the event of deviation from the standard configuration, the parameters must be checked after installation!  
For detailed information see <http://www.ebmpapst.com/general-conditions>



Max. 89 m<sup>3</sup>/h

# AC axial fans

□ 92 x 38 mm



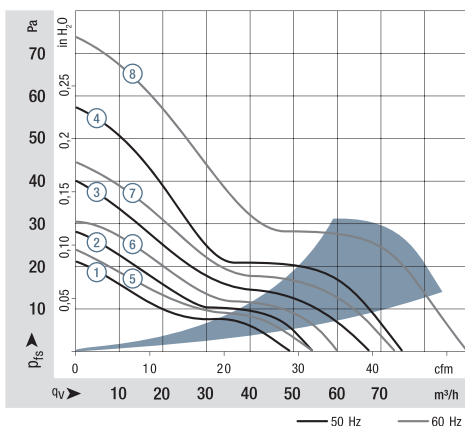
- **Material:** Housing: Die-cast aluminum  
Impeller: painted sheet steel
- **Direction of air flow:** Exhaust over struts
- **Direction of rotation:** Clockwise, looking towards rotor
- **Connection:** Via 2 single wires  
grounding lug for M4 x 8
- **Weight:** 420 g
- **Note:** Please note our ACmaxx series.  
With identical mounting dimensions and voltages, this series achieves greater energy efficiency. See page 197.
- **Possible special versions:** (See page 10)
  - Moisture protection
  - Salt spray protection
  - Degree of protection: IP 54 / IP 65

Series 3000  
WVC0092AQHCS

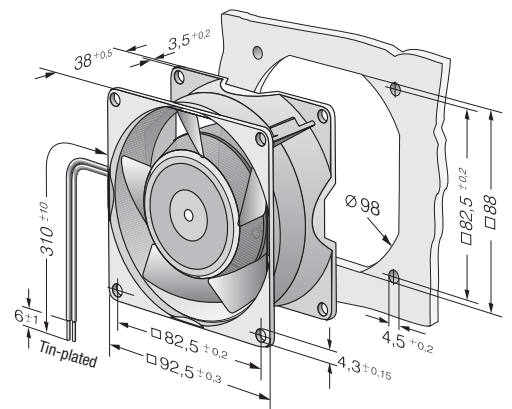
Nominal data	Air flow		Nominal voltage	Frequency	Sound pressure level	Sound power level	Sinter sleeve bearings Ball bearings	Power consumption	Nominal speed	Temperature range	Service life L <sub>10</sub> (40 °C) ebm-papst standard	Service life L <sub>10</sub> (T <sub>max</sub> ) ebm-papst standard	Life expectancy L <sub>10</sub> IPC (40 °C) see page 15	Curve
	m <sup>3</sup> /h	cfm												
3850	49	28.8	230	50	24	3.7	□	9.0	1 750	-10...+75	60 000 / 25 000	102 500	102 500	①
3856	54	31.8	230	50	26	3.9	■	9.0	1 950	-40...+90	60 000 / 12 500	102 500	102 500	②
3550	67	39.4	230	50	32	4.4	□	8.5	2 300	-10...+80	60 000 / 20 000	102 500	102 500	③
3556	67	39.4	230	50	33	4.5	■	8.5	2 400	-40...+90	60 000 / 12 500	102 500	102 500	③
3650	75	44.1	230	50	36	4.8	□	12.0	2 650	-10...+55	52 500 / 37 500	87 500	87 500	④
3656	75	44.1	230	50	37	4.9	■	12.0	2 700	-40...+75	52 500 / 20 000	87 500	87 500	④
3800	54	31.8	115	60	26	3.9	□	8.0	1 900	-10...+80	62 500 / 20 000	105 000	105 000	⑤
3806	60	35.3	115	60	29	4.2	■	8.0	2 150	-40...+95	62 500 / 10 000	105 000	105 000	⑥
3500	73	43.0	115	60	35	4.6	□	8.0	2 500	-10...+80	62 500 / 20 000	105 000	105 000	⑦
3506	73	43.0	115	60	36	4.7	■	8.0	2 600	-40...+95	62 500 / 10 000	105 000	105 000	⑦
3600	89	52.4	115	60	41	5.1	□	11.0	3 100	-10...+65	55 000 / 30 000	92 500	92 500	⑧
3606	89	52.4	115	60	42	5.2	■	11.0	3 200	-40...+75	55 000 / 22 500	92 500	92 500	⑧

Subject to change

Fan type	Length "L"	Connection wires
With sleeve bearings	310 mm long	AWG 18, TR 64
With ball bearings	310 mm long	AWG 18



Air performance measured according to: ISO 5801.  
Installation category A, without contact protection.  
Noise: Total sound power level L<sub>WA</sub> ISO 10302 measured on a hemisphere with a radius of 2 m.  
Sound pressure level L<sub>pA</sub> measured at 1 m distance from fan axis.  
The values given are applicable only under the specified measuring conditions and may differ depending on the installation conditions.  
In the event of deviation from the standard configuration, the parameters must be checked after installation!  
For detailed information see <http://www.ebmpapst.com/general-conditions>



Max. 135 m<sup>3</sup>/h

# AC axial fans

□ 119 x 25 mm



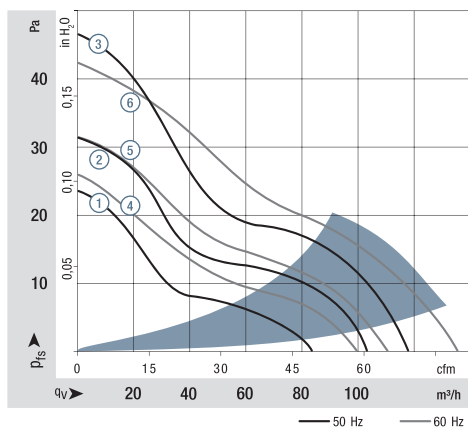
- **Material:** Housing: Die-cast aluminum  
Impeller: Mineral-reinforced PA plastic
- **Direction of air flow:** Exhaust over struts
- **Direction of rotation:** Counterclockwise, looking towards rotor
- **Connection:** Via 2 flat plugs 2.8 x 0.5 mm grounding lug for M4
- **Weight:** 320 g
- **Note:** Please note our ACmaxx series.  
With identical mounting dimensions and voltages, this series achieves greater energy efficiency. See page 198.
- **Possible special versions:** (See page 10)  
- Moisture protection

Series 9900  
WVC0119AQFBS

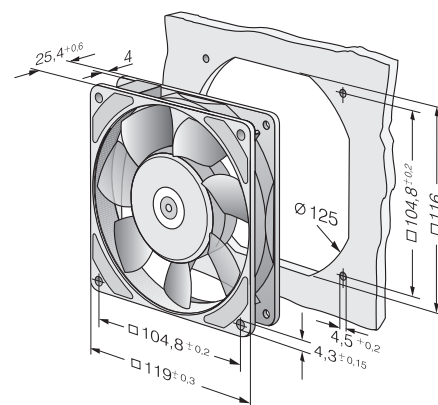
**Nominal data**

Type	Air flow		Nominal voltage	Frequency	Sound pressure level	Sound power level	Sinter sleeve bearings Ball bearings	Power consumption	Nominal speed	Temperature range	Service life L <sub>10</sub> (40 °C) ebm-papst standard	Service life L <sub>10</sub> (T <sub>max</sub> ) ebm-papst standard	Life expectancy L <sub>10</sub> IPC (40 °C) see page 15	Curve
	m <sup>3</sup> /h	cfm												
9956 L	84	49.4	230	50	29	4.4	■	9.5	1850	-40...+80	57 500 / 17 500	97 500	97 500	①
9956 M	104	61.2	230	50	35	4.7	■	10.0	2250	-40...+80	57 500 / 17 500	97 500	97 500	②
9950	117	68.9	230	50	37	5.0	□	14.0	2450	-20...+70	47 500 / 25 000	80 000	80 000	③
9956	117	68.9	230	50	37	5.0	■	14.0	2450	-40...+70	47 500 / 25 000	80 000	80 000	③
9906 L	100	58.9	115	60	34	4.6	■	8.0	2100	-40...+80	62 500 / 20 000	105 000	105 000	④
9906 M	111	65.3	115	60	37	5.0	■	8.0	2450	-40...+80	62 500 / 20 000	105 000	105 000	⑤
9900	135	79.5	115	60	42	5.4	□	12.0	2850	-20...+70	52 500 / 27 500	87 500	87 500	⑥
9906	135	79.5	115	60	42	5.4	■	12.0	2850	-40...+70	52 500 / 27 500	87 500	87 500	⑥

Subject to change



Air performance measured according to: ISO 5801.  
Installation category A, without contact protection.  
Noise: Total sound power level L<sub>w</sub>A ISO 10302 measured on a hemisphere with a radius of 2 m.  
Sound pressure level L<sub>p</sub>A measured at 1 m distance from fan axis.  
The values given are applicable only under the specified measuring conditions and may differ depending on the installation conditions.  
In the event of deviation from the standard configuration, the parameters must be checked after installation!  
For detailed information see <http://www.ebmpapst.com/general-conditions>



Max. 180 m<sup>3</sup>/h

# AC axial fans

□ 119 x 38 mm

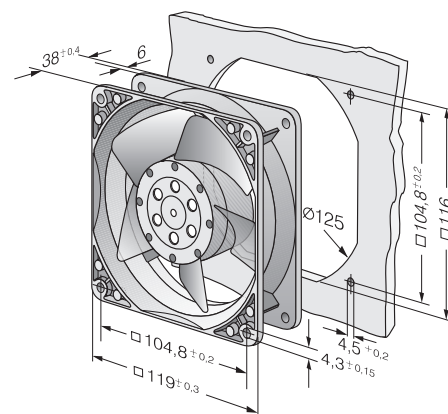
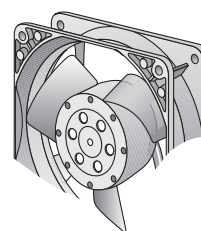
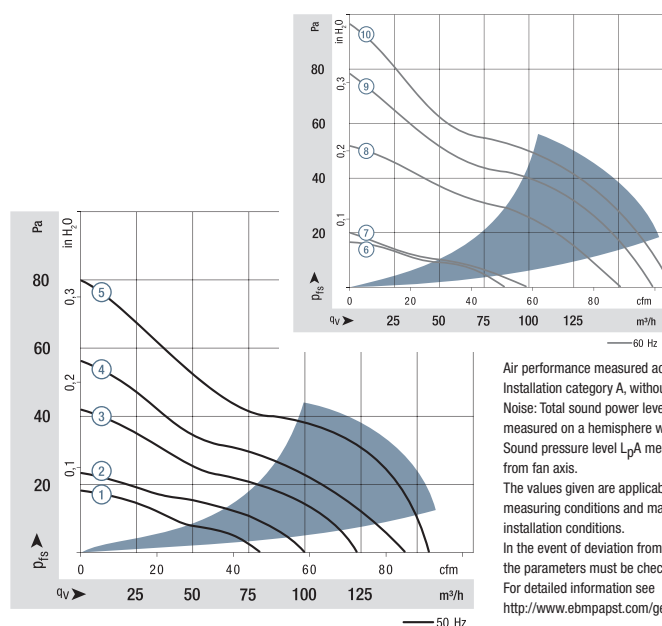


- **Material:** Housing: Die-cast aluminum  
Impeller: painted sheet steel
  - **Direction of air flow:** Intake over struts  
Types 4890 N and 4840 N  
Exhaust over struts
  - **Direction of rotation:** Clockwise, looking towards rotor
  - **Connection:** Via 2 flat plugs 2.8 x 0.5 mm grounding lug for M4
  - **Weight:** 550 g
  - **Note:** Please note our ACmaxx series. With identical mounting dimensions and voltages, this series achieves greater energy efficiency. See from page 200.
- **Available as an option:** Versions with reinforced mounting flanges and exposed external single wires.
  - **Possible special versions:** (See page 10)
    - Speed signal
    - Moisture protection
    - Salt spray protection
    - Degree of protection: IP 54 / IP 65

Series 4000 N  
VUC0119XQHCS

Nominal data	Air flow		Nominal voltage	Frequency	Sound pressure level	Sound power level	Sinter sleeve bearings Ball bearings	Power consumption	Nominal speed	Temperature range	Service life L <sub>10</sub> (40 °C) ebm-papst standard	Service life L <sub>10</sub> (T <sub>max</sub> ) ebm-papst standard	Life expectancy L <sub>10</sub> (IPC (40 °C) see page 15	Curve
	m <sup>3</sup> /h	cfm												
4890 N	80	47.0	230	50	25	4.0	■	11.0	1 550	-10...+70	55 000 / 27 500	92 500	①	
4850 N*	100	58.8	230	50	32	4.4	■	10.0	1 800	-10...+70	57 500 / 30 000	97 500	②	
4580 N*	123	72.3	230	50	41	5.2	■	18.0	2 350	-10...+55	40 000 / 27 500	67 500	③	
4550 N*	145	85.2	230	50	44	5.4	■	16.5	2 550	-10...+55	42 500 / 30 000	72 500	④	
4650 N	160	94.1	230	50	46	5.4	■	19.0	2 650	-10...+55	37 500 / 27 500	62 500	⑤	
4656 N	160	94.1	230	50	47	5.5	■	19.0	2 650	-40...+85	37 500 / 10 000	62 500	⑤	
4840 N	85	50.0	115	60	26	4.1	■	10.0	1 650	-10...+75	57 500 / 22 500	97 500	⑥	
4800 N*	97	57.0	115	60	32	4.3	■	9.0	1 750	-10...+75	60 000 / 25 000	102 500	⑦	
4530 N*	151	88.8	115	60	45	5.4	■	16.0	2 700	-10...+65	42 500 / 25 000	72 500	⑧	
4500 N*	169	100	115	60	48	5.7	■	15.0	3 000	-10...+65	47 500 / 27 500	80 000	⑨	
4600 N	180	106	115	60	50	5.7	■	18.0	3 100	-10...+60	40 000 / 25 000	67 500	⑩	
4606 N	180	106	115	60	51	5.8	■	18.0	3 100	-40...+90	40 000 / 8 000	67 500	⑩	

Subject to change



Max. 180 m<sup>3</sup>/h

# AC axial fans

□ 119 x 38 mm

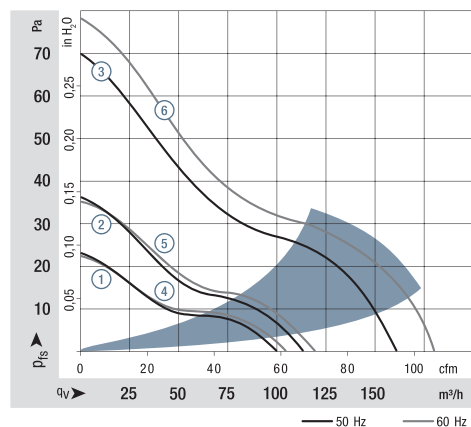


- **Material:** Housing: Die-cast aluminum  
Impeller: painted sheet steel
- **Direction of air flow:** Exhaust over struts
- **Direction of rotation:** Clockwise, looking towards rotor
- **Connection:** Via 2 flat plugs 2.8 x 0.5 mm grounding lug for M4 x 8
- **Weight:** 540 g
- **Note:** Please note our ACmaxx series. With identical mounting dimensions and voltages, this series achieves greater energy efficiency. See from page 200.
- **Possible special versions:** (See page 10)
  - Speed signal
  - Moisture protection
  - Salt spray protection
  - Degree of protection: IP 54 / IP 65

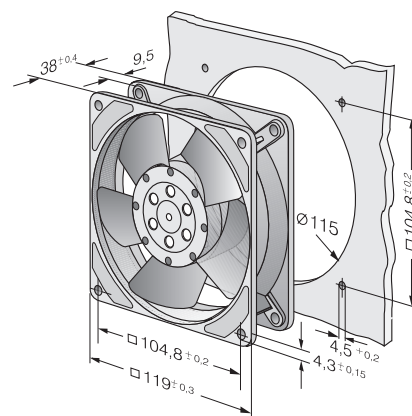
Series 4000 Z  
WVC0119XQHCS

Nominal data	Air flow		Nominal voltage	Frequency	Sound pressure level	Sound power level	Sinter sleeve bearings Ball bearings	Power consumption	Nominal speed	Temperature range	Service life L <sub>10</sub> (40 °C) ebm-papst standard	Service life L <sub>10</sub> (T <sub>max</sub> ) ebm-papst standard	Life expectancy L <sub>10</sub> IPC (40 °C) see page 15	Curve
	m <sup>3</sup> /h	cfm												
4850 Z	100	58.8	230	50	26	4.0	□	13.0	1 700	-10...+65	50 000 / 27 500	85 000	85 000	①
4856 Z	100	58.8	230	50	26	4.0	■	13.0	1 700	-40...+75	50 000 / 20 000	85 000	85 000	①
4580 Z	115	67.6	230	50	30	4.3	□	13.0	1 900	-10...+65	50 000 / 27 500	85 000	85 000	②
4586 Z	115	67.6	230	50	30	4.3	■	13.0	1 900	-40...+75	50 000 / 20 000	85 000	85 000	②
4650 Z	160	94.1	230	50	40	5.3	□	19.0	2 650	-10...+50	37 500 / 30 000	62 500	62 500	③
4656 Z	160	94.1	230	50	40	5.3	■	19.0	2 650	-40...+75	37 500 / 15 000	62 500	62 500	③
4800 Z	105	61.7	115	60	28	4.1	□	12.0	1 800	-10...+70	52 500 / 27 500	87 500	87 500	④
4806 Z	105	61.7	115	60	28	4.1	■	12.0	1 800	-40...+75	52 500 / 20 000	87 500	87 500	④
4536 Z	120	70.5	115	60	32	4.4	■	12.0	2 000	-40...+75	52 500 / 20 000	87 500	87 500	⑤
4600 Z	180	106	115	60	45	5.6	□	18.0	3 100	-10...+60	40 000 / 25 000	67 500	67 500	⑥
4606 Z	180	106	115	60	45	5.6	■	18.0	3 100	-40...+85	40 000 / 10 000	67 500	67 500	⑥

Subject to change



Air performance measured according to: ISO 5801.  
Installation category A, without contact protection.  
Noise: Total sound power level L<sub>WA</sub> ISO 10302 measured on a hemisphere with a radius of 2 m.  
Sound pressure level L<sub>pA</sub> measured at 1 m distance from fan axis.  
The values given are applicable only under the specified measuring conditions and may differ depending on the installation conditions.  
In the event of deviation from the standard configuration, the parameters must be checked after installation!  
For detailed information see [http://www.ebmpapst.com/general\\_conditions](http://www.ebmpapst.com/general_conditions)





Max. 140 m<sup>3</sup>/h

# AC axial fans

Ø 108 x 37 mm



- **Material:** Impeller: Die-cast aluminum  
Mounting bracket: Metal
  - **Direction of air flow:** Exhaust over mounting bracket
  - **Direction of rotation:** Clockwise, looking towards rotor
  - **Connection:** Via 2 single wires
  - **Weight:** 430 g
- **Possible special versions:** (See page 10)
    - Moisture protection
    - Salt spray protection
    - Degree of protection: IP 54 / IP 65

Series 4600 TZ  
VWY0108XQHCS

**Nominal data**

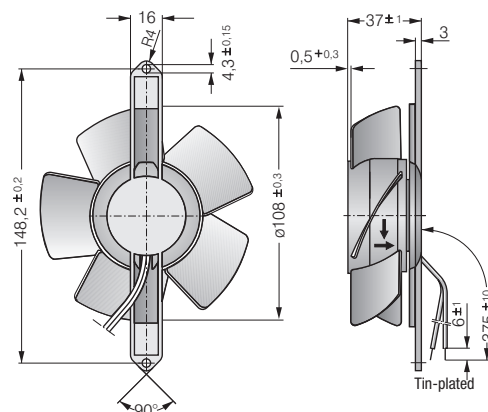
Type	Air flow		Nominal voltage	Frequency	Sound pressure level	Sintec sleeve bearings Ball bearings	Power consumption	Nominal speed	Temperature range	Service life L <sub>10</sub> (40 °C) ebm-papst standard	Service life L <sub>10</sub> (T <sub>max</sub> ) ebm-papst standard	Life expectancy L <sub>10</sub> IPC (40 °C) see page 15
	m <sup>3</sup> /h	cfm										
4650 TZ	125	73.6	230	50	42	□	19.0	2 600	-10...+50	37 500 / 30 000	62 500	62 500
4656 TZ	125	73.6	230	50	42	■	19.0	2 600	-40...+65	37 500 / 20 000	62 500	62 500
4600 TZ	140	82.4	115	60	45	□	18.0	2 950	-10...+50	40 000 / 32 500	67 500	67 500
4606 TZ	140	82.4	115	60	45	■	18.0	2 950	-40...+75	40 000 / 15 000	67 500	67 500

Subject to change

The air flow and sound level of fans without external housing depends on the installation conditions. The stated air flow and noise have been measured with an orifice 109 mm Ø at a distance of approx. 17 mm from the mounting bracket.

The air flow capacity of fan series 4000 Z is achievable because of the exceptionally favorable installation conditions. The noise in the optimal operating range can be measured for these fans only in a specific application.

Fan type	Connection wires
4650 TZ	4600 TZ
4656 TZ	4606 TZ



Max. 206 m<sup>3</sup>/h

# AC axial fans

□ 127 x 38 mm



- **Material:** Housing: Die-cast aluminum  
Impeller: GRP<sup>1)</sup> (PA)
  - **Direction of air flow:** Exhaust over struts
  - **Direction of rotation:** Counterclockwise, looking towards rotor
  - **Connection:** Via 2 flat plugs 2.8 x 0.8 mm grounding lug for M4 x 6
  - **Weight:** 570 g
- **Possible special versions:**  
(See page 10)  
- Moisture protection

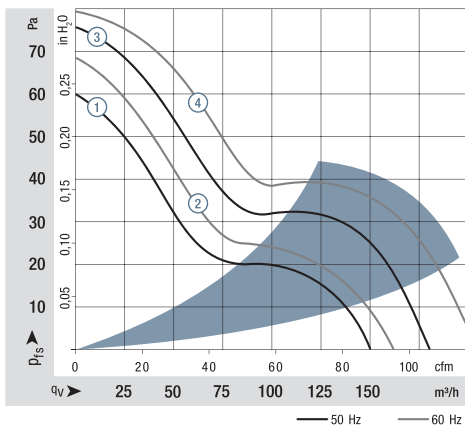
1) Fiberglass-reinforced plastic

Series 5900  
WVC0127AQGDS

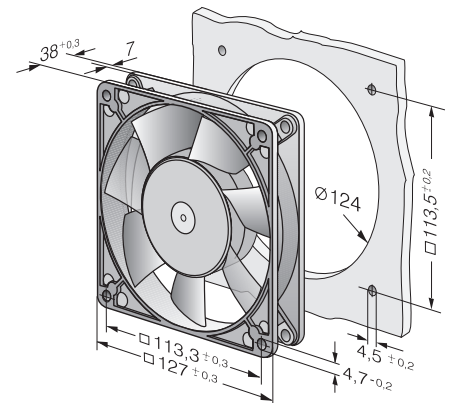
**Nominal data**

Type	Air flow		Nominal voltage	Frequency	Sound pressure level	Sound power level	Sinter sleeve bearings Ball bearings	Power consumption	Nominal speed	Temperature range	Service life L <sub>10</sub> (40 °C) ebm-papst standard	Service life L <sub>10</sub> (T <sub>max</sub> ) ebm-papst standard	Life expectancy L <sub>10</sub> IPC (40 °C) see page 15	Curve
	m <sup>3</sup> /h	cfm												
5988	150	88.2	230	50	37	4.9	■	13.0	2 250	-30...+55	35 000 / 25 000	60 000	60 000	①
5950	180	106	230	50	43	5.4	□	18.0	2 700	-20...+50	40 000 / 32 500	67 500	67 500	③
5958	180	106	230	50	44	5.5	■	18.0	2 750	-30...+60	40 000 / 25 000	67 500	67 500	③
5938	162	95.2	115	60	40	4.9	■	12.0	2 500	-30...+55	35 000 / 25 000	60 000	60 000	②
5900	206	121	115	60	46	5.7	□	17.0	3 050	-20...+55	42 500 / 30 000	72 500	72 500	④
5908	206	121	115	60	47	5.8	■	17.0	3 100	-30...+75	42 500 / 17 500	72 500	72 500	④

Subject to change



Air performance measured according to: ISO 5801.  
Installation category A, without contact protection.  
Noise: Total sound power level L<sub>WA</sub> ISO 10302 measured on a hemisphere with a radius of 2 m.  
Sound pressure level L<sub>pA</sub> measured at 1 m distance from fan axis.  
The values given are applicable only under the specified measuring conditions and may differ depending on the installation conditions.  
In the event of deviation from the standard configuration, the parameters must be checked after installation!  
For detailed information see <http://www.ebmpapst.com/general-conditions>



Max. 270 m<sup>3</sup>/h

# AC axial fans

□ 135 x 38 mm



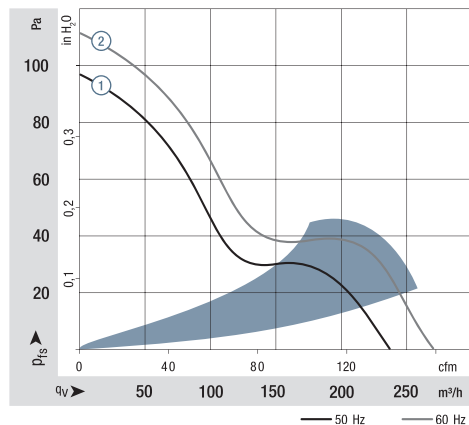
- **Material:** Housing: Die-cast aluminum  
Impeller: painted sheet steel
  - **Direction of air flow:** Exhaust over struts
  - **Direction of rotation:** Counterclockwise, looking towards rotor
  - **Connection:** Via 2 flat plugs 2.8 x 0.5 mm grounding lug for M4 x 8
  - **Weight:** 800 g
- **Possible special versions:** (See page 10)
    - Moisture protection
    - Salt spray protection
    - Degree of protection: IP 54

Series 5600  
VWC0135AQKCS

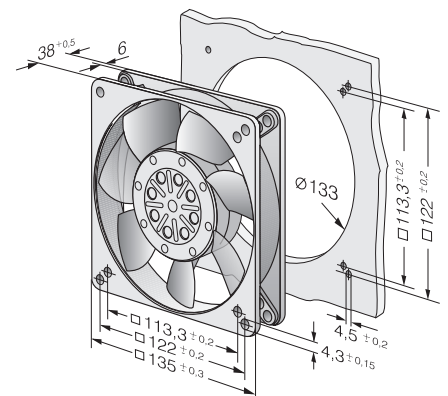
**Nominal data**

Type	Air flow		Nominal voltage	Frequency	Sound pressure level	Sound power level	Sintec sleeve bearings Ball bearings	Power consumption	Nominal speed	Temperature range	Service life L <sub>10</sub> (40 °C) ebm-papst standard	Service life L <sub>10</sub> (T <sub>max</sub> ) ebm-papst standard	Life expectancy L <sub>10</sub> IPC (40 °C) see page 15	Curve
	m <sup>3</sup> /h	cfm												
5656 S	235	138	230	50	46	5.9	■	30.0	2 700	-35...+70	45 000 / 22 500	75 000	①	
5606 S	270	159	115	60	50	6.2	■	26.0	3 100	-35...+80	47 500 / 15 000	80 000	②	

Subject to change



Air performance measured according to: ISO 5801.  
Installation category A, without contact protection.  
Noise: Total sound power level L<sub>w</sub>A ISO 10302 measured on a hemisphere with a radius of 2 m.  
Sound pressure level L<sub>p</sub>A measured at 1 m distance from fan axis.  
The values given are applicable only under the specified measuring conditions and may differ depending on the installation conditions.  
In the event of deviation from the standard configuration, the parameters must be checked after installation!  
For detailed information see [http://www.ebmpapst.com/general\\_conditions](http://www.ebmpapst.com/general_conditions)



Max. 380 m<sup>3</sup>/h

## AC axial fans

150 x 172 x 38 mm



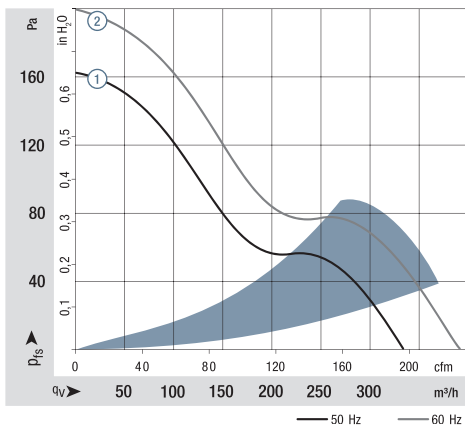
- **Material:** Housing: Die-cast aluminum  
Impeller: painted sheet steel
- **Direction of air flow:** Exhaust over struts
- **Direction of rotation:** Counterclockwise, looking towards rotor
- **Connection:** Via 2 flat plugs 2.8 x 0.5 mm grounding lug for M4 x 8
- **Weight:** 900 g
- **Note:** Please note our ACmaxx series.  
With identical mounting dimensions and voltages, this series achieves greater energy efficiency. See page 202.

VWT0142X2LBS

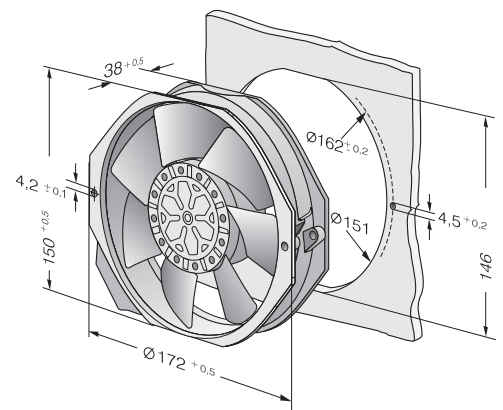
### Nominal data

Type	Air flow		Nominal voltage	Frequency	Sound pressure level	Sound power level	Sinter sleeve bearings Ball bearings	Power consumption	Nominal speed	Temperature range	Service life L <sub>10</sub> (40 °C) ebm-papst standard	Service life L <sub>10</sub> (T <sub>max</sub> ) ebm-papst standard	Life expectancy L <sub>10</sub> IPC (40 °C) see page 15	Curve
	m <sup>3</sup> /h	cfm												
W2E 142-BB01-01	320	188	<b>230</b>	<b>50</b>	51	6.4	■	27.0	2 800	-25...+55	60 000 / 42 500	102 500	102 500	①
W2E 142-BB05-01	380	224	<b>115</b>	<b>60</b>	56	6.8	■	28.0	3 350	-25...+65	55 000 / 30 000	92 500	92 500	②

Subject to change



Air performance measured according to: ISO 5801.  
Installation category A, without contact protection.  
Noise: Total sound power level L<sub>WA</sub> ISO 10302 measured on a hemisphere with a radius of 2 m.  
Sound pressure level L<sub>pA</sub> measured at 1 m distance from fan axis.  
The values given are applicable only under the specified measuring conditions and may differ depending on the installation conditions.  
In the event of deviation from the standard configuration, the parameters must be checked after installation!  
For detailed information see <http://www.ebmpapst.com/general conditions>



Max. 380 m<sup>3</sup>/h

## AC axial fans

Ø 150 x 55 mm



- **Material:** Housing: Die-cast aluminum  
Impeller: painted sheet steel
- **Direction of air flow:** Exhaust over struts
- **Direction of rotation:** Counterclockwise, looking towards rotor
- **Connection:** Via 2 single wires  
wire ends with wire end splices  
grounding lug for M4 x 8
- **Weight:** 1.1 kg

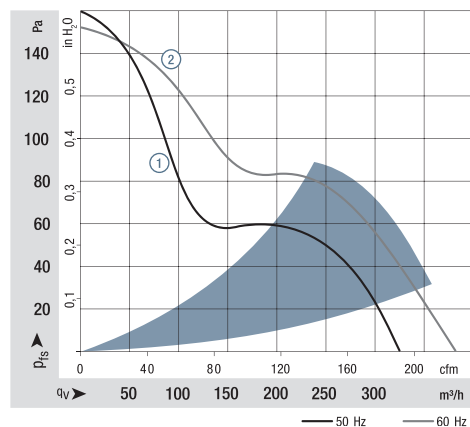
- **Note:**  
Please note our ACmaxx series. With identical mounting dimensions and voltages, this series achieves greater energy efficiency. See page 202 and 204.

VWS0130XQLDS

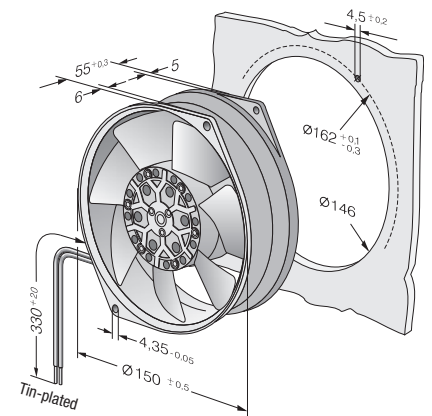
### Nominal data

Type	Air flow		Nominal voltage	Frequency	Sound pressure level	Sound power level	Sintec sleeve bearings Ball bearings	Power consumption	Nominal speed	Temperature range	Service life L <sub>10</sub> (40 °C) ebm-papst standard	Service life L <sub>10</sub> (T <sub>max</sub> ) ebm-papst standard	Life expectancy L <sub>10</sub> IPC (40 °C) see page 15	Curve
	m <sup>3</sup> /h	cfm												
W2S 130-AA03-01	325	191	230	50	49	6.0	■	45.0	2 800	-25...+50	60 000 / 47 500	102 500	102 500	①
W2S 130-AA03-97	325	191	230	50	49	6.0	■	45.0	2 800	-25...+70	60 000 / 30 000	102 500	102 500	①
W2S 130-AA25-01	380	224	115	60	53	6.4	■	38.0	3 250	-25...+70	60 000 / 30 000	102 500	102 500	②
W2S 130-AA25-97	380	224	115	60	53	6.4	■	38.0	3 250	-25...+90	60 000 / 12 500	102 500	102 500	②

Subject to change



Air performance measured according to: ISO 5801.  
Installation category A, without contact protection.  
Noise: Total sound power level L<sub>WA</sub> ISO 10302 measured on a hemisphere with a radius of 2 m.  
Sound pressure level L<sub>pA</sub> measured at 1 m distance from fan axis.  
The values given are applicable only under the specified measuring conditions and may differ depending on the installation conditions.  
In the event of deviation from the standard configuration, the parameters must be checked after installation!  
For detailed information see  
<http://www.ebmpapst.com/general-conditions>



Max. 425 m<sup>3</sup>/h

# AC axial fans

Ø 150 x 55 mm

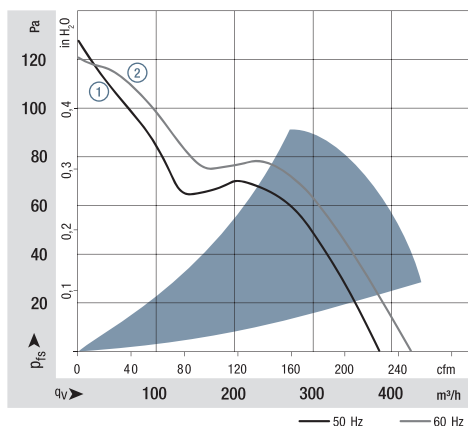


- **Material:** Housing: Die-cast aluminum  
Impeller: painted sheet steel
- **Direction of air flow:** Intake over struts
- **Direction of rotation:** Counterclockwise, looking towards rotor
- **Connection:** Via 2 single wires  
wire ends with wire end splices  
grounding lug for M4 x 8
- **Weight:** 1.1 kg
- **Note:** Please note our ACmaxx series.  
With identical mounting dimensions and voltages,  
this series achieves greater energy efficiency.  
See page 202 and 204.

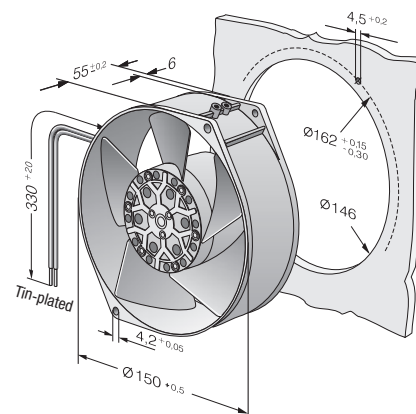
VUS0130XQLDS

Nominal data	Air flow		Nominal voltage	Frequency	Sound pressure level	Sound power level	Sinter sleeve bearings Ball bearings	Power consumption	Nominal speed	Temperature range	Service life L <sub>10</sub> (40 °C) ebm-papst standard	Service life L <sub>10</sub> (T <sub>max</sub> ) ebm-papst standard	Life expectancy L <sub>10</sub> IPC (40 °C) see page 15	Curve
	m <sup>3</sup> /h	cfm												
W2S 130-BM03-01	380	224	230	50	60	6.8	■	47.0	2 700	-25...+50	65 000 / 52 500	110 000	①	
W2S 130-BM15-01	425	250	115	60	62	6.9	■	46.0	3 050	-25...+70	50 000 / 25 000	85 000	②	

Subject to change



Air performance measured according to: ISO 5801.  
Installation category A, without contact protection.  
Noise: Total sound power level L<sub>WA</sub> ISO 10302 measured on a hemisphere with a radius of 2 m.  
Sound pressure level L<sub>PA</sub> measured at 1 m distance from fan axis.  
The values given are applicable only under the specified measuring conditions and may differ depending on the installation conditions.  
In the event of deviation from the standard configuration, the parameters must be checked after installation!  
For detailed information see <http://www.ebmpapst.com/general conditions>



Max. 500 m<sup>3</sup>/h

# AC axial fans

Ø 172 x 51 mm



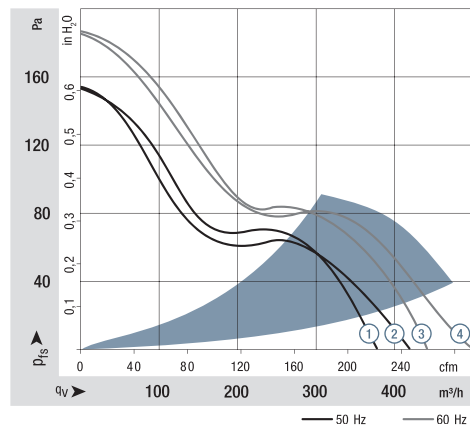
- **Material:** Housing: Die-cast aluminum  
Impeller: painted sheet steel
- **Direction of air flow:** Exhaust over struts
- **Direction of rotation:** Counterclockwise, looking towards rotor
- **Connection:** Via 2 flat plugs 2.8 x 0.5 mm grounding lug for M4 x 6
- **Weight:** 1.0 kg
- **Note:** Please note our ACmaxx series.  
With identical mounting dimensions and voltages, this series achieves greater energy efficiency. See pages 202.

VWS0143X2LCS

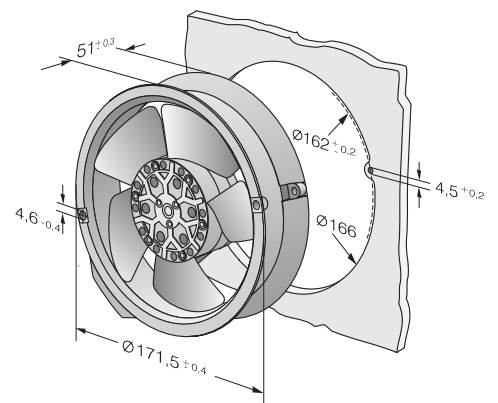
## Nominal data

Type	Air flow		Nominal voltage	Frequency	Sound pressure level	Sound power level	Sintec sleeve bearings Ball bearings	Power consumption	Nominal speed	Temperature range	Service life L <sub>10</sub> (40 °C) ebm-papst standard	Service life L <sub>10</sub> (T <sub>max</sub> ) ebm-papst standard	Life expectancy L <sub>10</sub> (IPC) (40 °C) see page 15	Curve
	m <sup>3</sup> /h	cfm												
W2E 143-AA09-01	375	221	230	50	55	5.9	■	24.0	2 800	-25...+70	62 500 / 32 500	105 000	105 000	①
W2E 143-AB09-01	420	247	230	50	54	6.3	■	26.0	2 800	-25...+60	62 500 / 40 000	105 000	105 000	②
W2E 143-AA15-01	440	259	115	60	60	6.4	■	26.0	3 300	-25...+70	57 000 / 30 000	97 500	97 500	③
W2E 143-AB15-01	500	284	115	60	58	6.7	■	29.0	3 300	-25...+75	57 000 / 22 500	97 500	97 500	④

Subject to change



Air performance measured according to: ISO 5801.  
Installation category A, without contact protection.  
Noise: Total sound power level L<sub>WA</sub> ISO 10302 measured on a hemisphere with a radius of 2 m.  
Sound pressure level L<sub>pA</sub> measured at 1 m distance from fan axis.  
The values given are applicable only under the specified measuring conditions and may differ depending on the installation conditions.  
In the event of deviation from the standard configuration, the parameters must be checked after installation!  
For detailed information see <http://www.ebmpapst.com/general-conditions>



Max. 1000 m<sup>3</sup>/h

# AC axial fans

□ 225 x 80 mm



- **Material:** Housing: Die-cast-aluminum  
Impeller: Sheet steel, painted black  
Rotor: Painted black
- **Number of blades:** 7
- **Direction of air flow:** "V"
- **Direction of rotation:** Counterclockwise, looking towards rotor
- **Degree of protection:** IP 44, depending on installation and position
- **Insulation class:** "B"
- **Installation position:** Any
- **Condensation drainage holes:** None
- **Mode of operation:** Continuous operation (S1)
- **Bearings:** Maintenance-free ball bearings

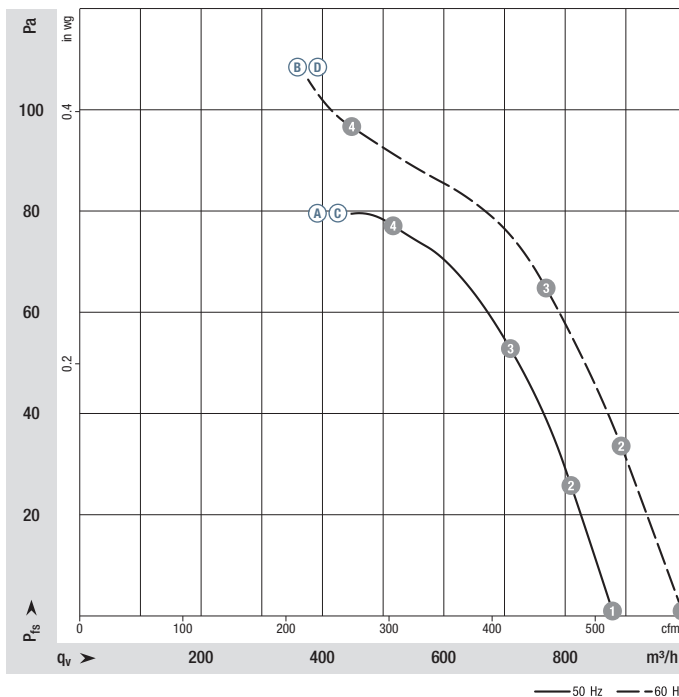
VWT0200X2MCS

## Nominal data

Type	Motor	Curve	Nominal voltage VAC	Frequency Hz	Air flow m <sup>3</sup> /h	Nominal speed rpm <sup>-1</sup>	Power consumption W	Input current A	Capacitor F/VDB	Sound power level dB(A)	Max. back-pressure Pa	Admissible amb. temp. °C	Weight kg	Connection diagram
W2E 200-HK86-01	M2E 068-BF	A	1~115	50	880	2550	64	0.58	5.0/220	—	80	-25...+60	2.0	P. 280 / A1)
		B	1~115	60	1000	2800	80	0.70	5.0/220	—	95	-25...+65	2.0	
W2E 200-HK38-01	M2E 068-BF	C	1~230	50	880	2550	64	0.29	1.5/450	—	80	-25...+60	2.1	P. 280 / A1)
		D	1~230	60	1000	2800	80	0.35	1.5/450	—	95	-25...+65	2.1	

Subject to change

## Curves:

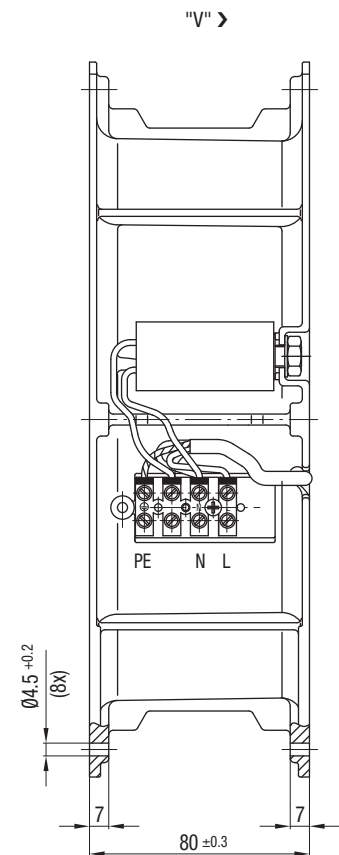
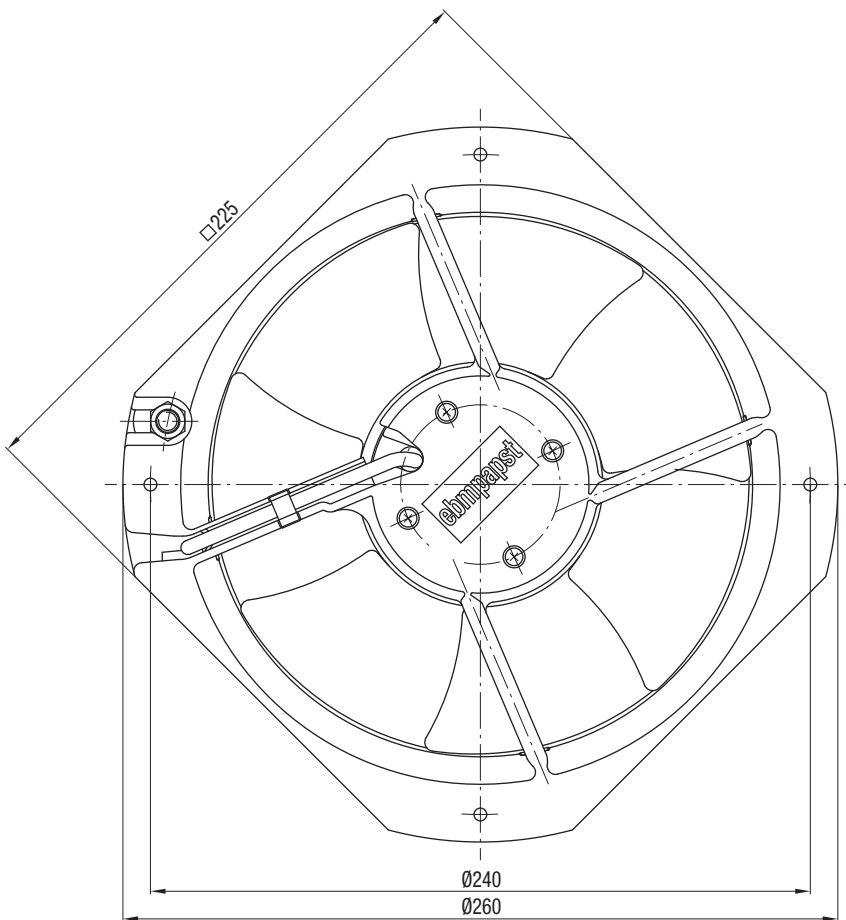


	n rpm <sup>-1</sup>	P <sub>ed</sub> W	I A	L <sub>WA</sub> dB(A)
A 1	2640	56	0.56	—
A 2	2595	58	0.57	—
A 3	2550	61	0.58	—
A 4	2480	64	0.60	—
B 1	2980	67	0.58	—
B 2	2880	71	0.62	—
B 3	2790	75	0.65	—
B 4	2660	80	0.69	—
C 1	2630	60	0.30	—
C 2	2585	64	0.31	—
C 3	2530	66	0.31	—
C 4	2480	69	0.32	—
D 1	3000	70	0.31	—
D 2	2935	73	0.32	—
D 3	2850	77	0.34	—
D 4	2705	83	0.36	—

Air performance measured according to: ISO 5801, Installation category A. For detailed information on the measurement setup, contact ebmpapst. Suction-side noise levels: L<sub>WA</sub> according to ISO 13347, L<sub>pA</sub> measured at 1 m distance from fan axis. The values given are applicable only under the specified measuring conditions and may differ depending on the installation conditions. In the event of deviation from the standard configuration, the parameters must be checked after installation! For detailed information see <http://www.ebmpapst.com/general-conditions>



- **Motor protection:** Thermal overload protector (TOP) connected internally
- **Touch current:** < 0.75 mA acc. to IEC 60990 (test circuit, illustration 4)
- **Cable exit:** Variable
- **Electrical hookup:** Via terminal strips, capacitor connected
- **Protection class:** I (with customer connection to grounding conductor)
- **Conformity with standard(s):** EN 60335-1, CE
- **Approvals:**
  - Ⓐ Ⓑ EAC, UL 507, VDE, CSA C22.2 no. 113, CCC
  - Ⓒ Ⓓ EAC, UL 2111, VDE, CSA C22.2 no. 113, CCC



Max. 1880 m<sup>3</sup>/h

# AC axial fans

□ 225 x 80 mm



- **Material:** Housing: Die-cast-aluminum  
Impeller: PP plastic  
Rotor: Painted black
- **Number of blades:** 7
- **Direction of air flow:** "V"
- **Direction of rotation:** Counterclockwise, looking towards rotor
- **Degree of protection:** IP 44, depending on installation and position
- **Insulation class:** "F"
- **Installation position:** Any
- **Condensation drainage holes:** None
- **Mode of operation:** Continuous operation (S1)
- **Bearings:** Maintenance-free ball bearings

VWT0250X2MES

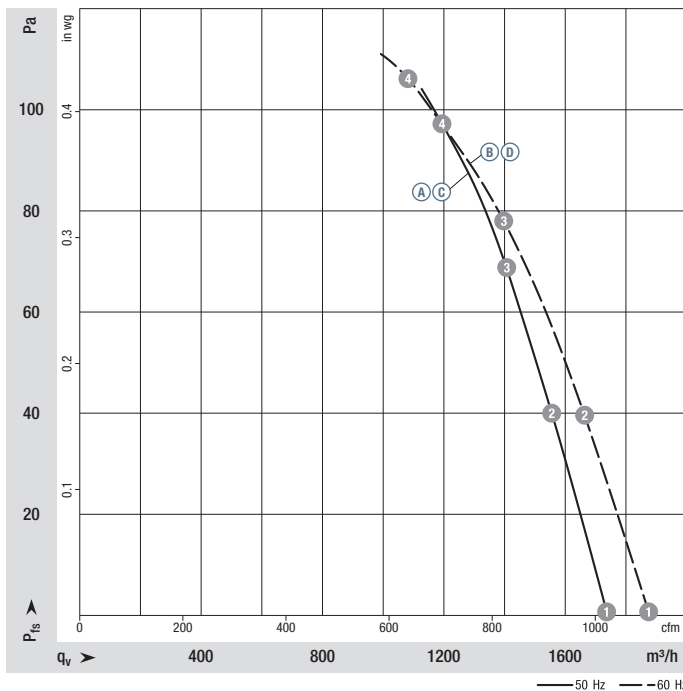
## Nominal data

Type	Motor	Curve	Nominal voltage VAC	Frequency Hz	Air flow m <sup>3</sup> /h	Nominal speed rpm <sup>-1</sup>	Max. power consumption <sup>(1)</sup> W	Max. input current <sup>(1)</sup> A	Capacitor µF/VDB	Sound power level dB(A)	Max. back-pressure Pa	Admissible amb. temp. °C	Weight kg	Connection diagram
W2E 250-HP08-01	M2E 068-CF	A	1~115	50	1740	2375	125	1.10	12/320	70	100	-25...+50	2.7	P. 280 / A3)
		B	1~115	60	1880	2350	165	1.45	12/320	72	110	-25...+45	2.7	
W2E 250-HP06-01	M2E 068-CF	C	1~230	50	1695	2320	125	0.55	3.0/400	70	100	-25...+60	2.7	P. 280 / A3)
		D	1~230	60	1840	2300	160	0.71	3.0/400	71	110	-25...+50	2.7	

Subject to change

(1) Nominal data in operating point with maximum load and 115/230 VAC

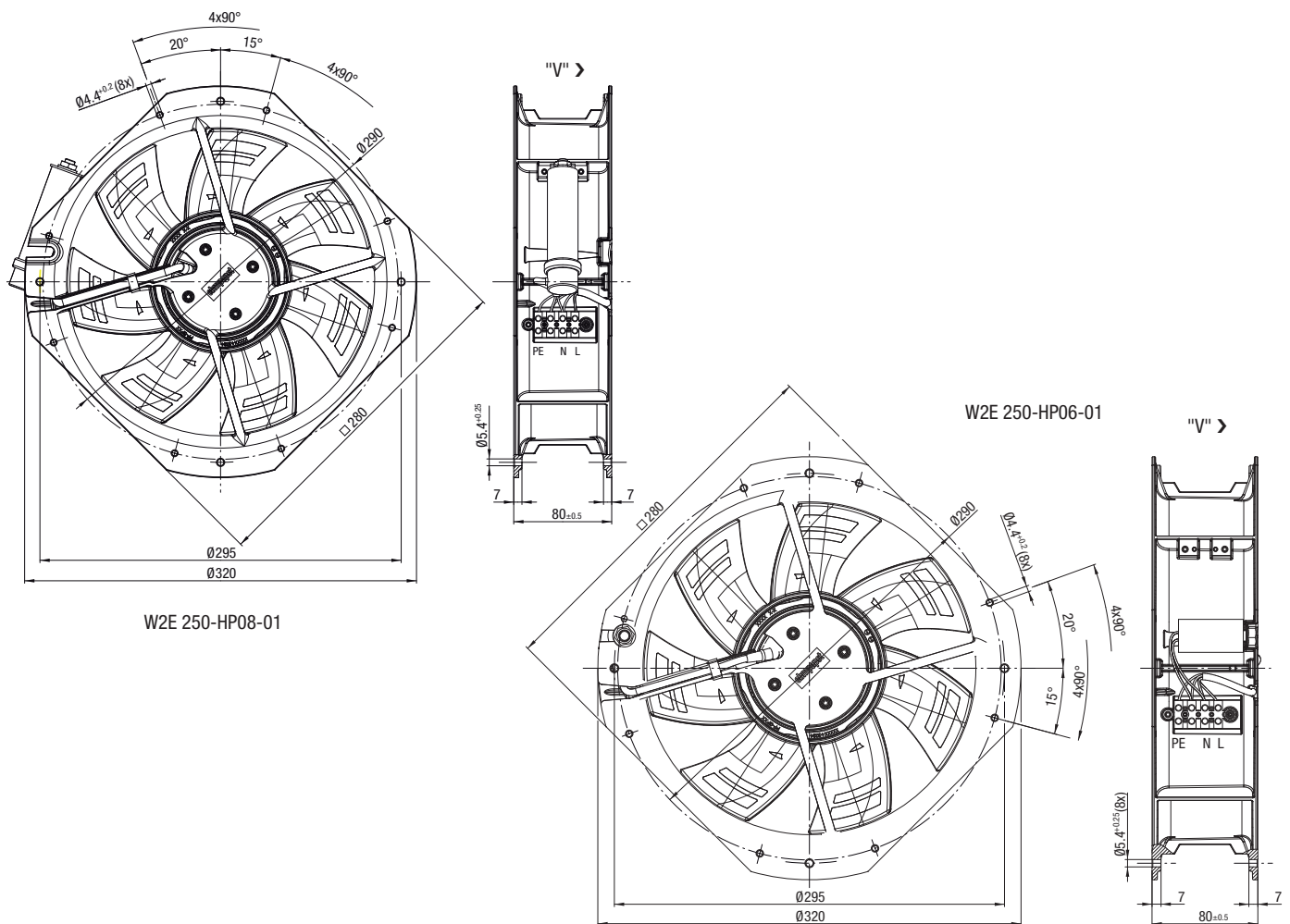
## Curves:



	n rpm <sup>-1</sup>	P <sub>ed</sub> W	I A	L <sub>WA</sub> dB(A)
A 1	2580	108	0.96	70
A 2	2510	115	1.02	69
A 3	2455	121	1.06	68
A 4	2375	125	1.10	68
B 1	2785	149	1.30	72
B 2	2655	154	1.35	70
B 3	2490	162	1.41	70
B 4	2350	165	1.45	70
C 1	2550	101	0.44	70
C 2	2480	109	0.47	69
C 3	2410	115	0.50	68
C 4	2320	125	0.55	68
D 1	2750	134	0.59	71
D 2	2600	145	0.63	70
D 3	2420	152	0.66	69
D 4	2300	160	0.71	70

Air performance measured according to: ISO 5801, Installation category A. For detailed information on the measurement setup, contact ebmpapst. Suction-side noise levels: L<sub>WA</sub> according to ISO 13347, L<sub>pA</sub> measured at 1 m distance from fan axis. The values given are applicable only under the specified measuring conditions and may differ depending on the installation conditions. In the event of deviation from the standard configuration, the parameters must be checked after installation! For detailed information see <http://www.ebmpapst.com/general-conditions>

- **Motor protection:** Thermal overload protector (TOP) connected internally
- **Touch current:** < 0.75 mA acc. to IEC 60990 (test circuit, illustration 4)
- **Cable exit:** Variable
- **Electrical hookup:** Via terminal strips, capacitor connected
- **Protection class:** I (with customer connection to grounding conductor)
- **Conformity with standard(s):** EN 60335-1, CE
- **Approvals:**
  - Ⓐ Ⓑ UL 2111, CSA C22.2 no. 77
  - Ⓒ Ⓓ EAC, UL 2111, CSA C22.2 no. 77



Max. 830 m<sup>3</sup>/h

# AC diagonal module

Ø 200 mm



- **Material:** Housing: PA plastic  
Support bracket: PA plastic  
Impeller: PA plastic  
Rotor: Painted black
- **Number of blades:** 7
- **Direction of air flow:** "V", single inlet
- **Direction of rotation:** Clockwise, looking towards rotor
- **Degree of protection:** IP 44, depending on installation and position
- **Insulation class:** "F"
- **Installation position:** Any
- **Condensation drainage holes:** None
- **Mode of operation:** Continuous operation (S1)
- **Bearings:** Maintenance-free ball bearings

VJH0200X2MES

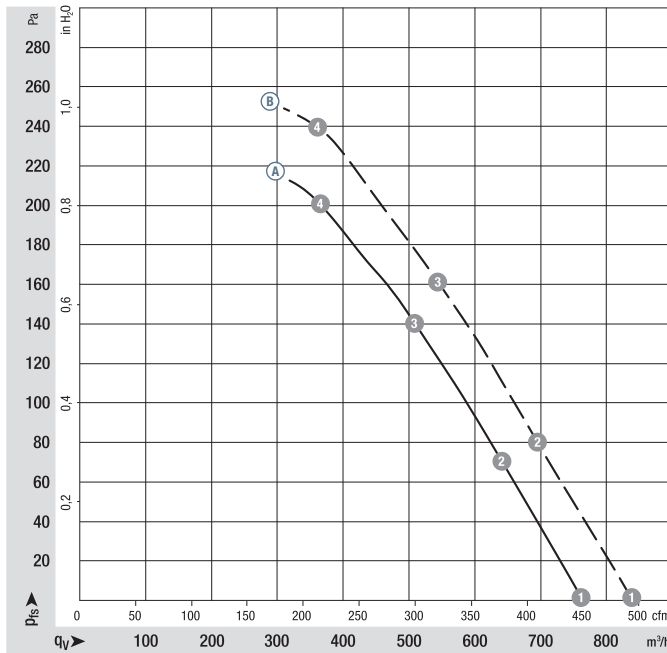
## Nominal data

Type	Motor	Curve	Nominal voltage	Frequency	Air flow	Nominal speed	Power consumption	Input current	Capacitor	Sound power level	Max. back-pressure	Admissible amb. temp.	Weight	Connection diagram
			VAC	Hz	m <sup>3</sup> /h	rpm <sup>-1</sup>	W	A	µF/VDB	dB(A)	Pa	°C	kg	
K2E 200-AA12 -01	M2E 068-CF	Ⓐ 1	~ 115	50	760	2650	64	0.56	6.0/250	70	200	-25..+65	2.1	P. 280 / A1)
		Ⓑ 1	~ 115	60	830	2910	88	0.77	6.0/250	72	240	-25..+65		

Subject to change

### Curves:

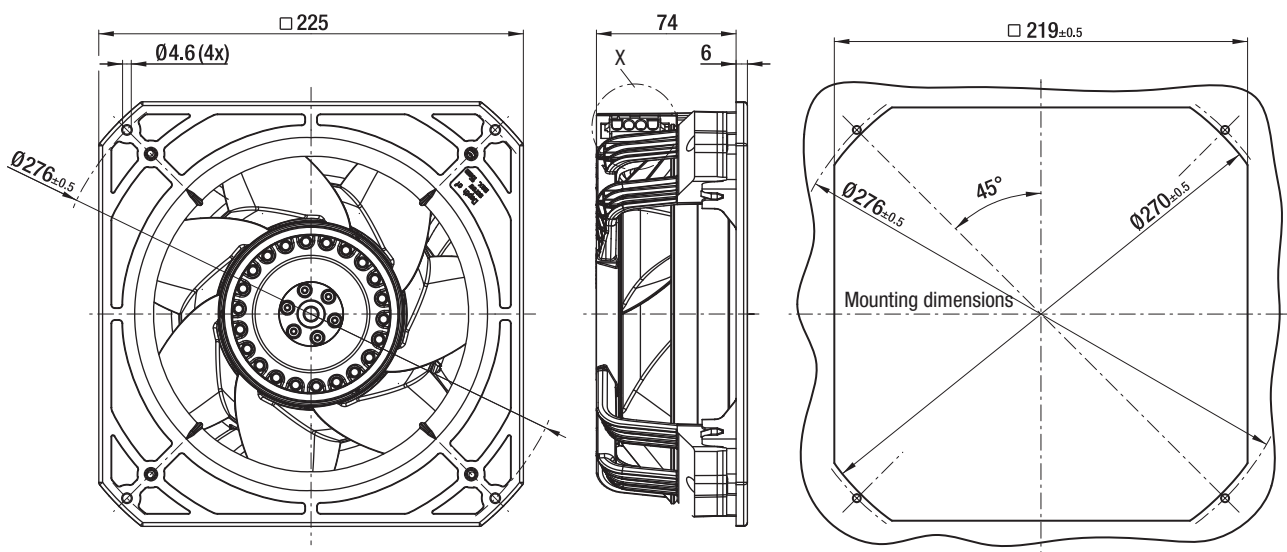
- 50 Hz
- - - 60 Hz



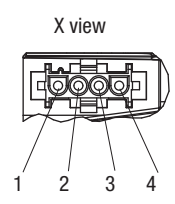
	n	P <sub>ed</sub>	I	L <sub>wA</sub>
	rpm <sup>-1</sup>	W	A	dB(A)
Ⓐ 1	2650	64	0.56	70
Ⓐ 2	2610	67	0.59	68
Ⓐ 3	2580	70	0.61	67
Ⓐ 4	2590	69	0.61	69
Ⓑ 1	2910	88	0.77	72
Ⓑ 2	2815	93	0.81	69
Ⓑ 3	2755	96	0.84	69
Ⓑ 4	2780	95	0.83	71

Air performance measured according to: ISO 5801. Installation category A, without contact protection. Suction-side noise levels: L<sub>wA</sub> according to ISO 13347, L<sub>pA</sub> measured at 1 m distance from fan axis. The values given are applicable only under the specified measuring conditions and may differ depending on the installation conditions. In the event of deviation from the standard configuration, the parameters must be checked after installation! For detailed information see <http://www.ebmpapst.com/general-conditions>

- **Motor protection:** Thermal overload protector (TOP) connected internally
- **Touch current:** < 0.75 mA acc. to IEC 60990 (test circuit, illustration 4)
- **Cable exit:** Lateral
- **Electrical hookup:** Via connector
- **Protection class:** I (with customer connection to grounding conductor)
- **Conformity with standard(s):** EN 60335-1, CE
- **Approvals:** UL 2111, CSA C22.2 no. 77



Coded plug system  
 Universal Mate-N-Lok  
 Connector shell: AMP 350 780-1  
 3x plug pins: AMP 926 885-1  
 Mating connector (not included in scope of delivery):  
 Connector shell: AMP 350 779-4  
 3x sockets: AMP 926 884-1



- 1 = not used
- 2 = N + capacitor
- 3 = L
- 4 = PE

Max. 845 m<sup>3</sup>/h

# AC diagonal module

Ø 200 mm



- **Material:** Housing: PA plastic  
Support bracket: PA plastic  
Impeller: PA plastic  
Rotor: Painted black
- **Number of blades:** 7
- **Direction of air flow:** "V", single inlet
- **Direction of rotation:** Clockwise, looking towards rotor
- **Degree of protection:** IP 44, depending on installation and position
- **Insulation class:** "F"
- **Installation position:** Any
- **Condensation drainage holes:** None
- **Mode of operation:** Continuous operation (S1)
- **Bearings:** Maintenance-free ball bearings

VJH0200X2MES

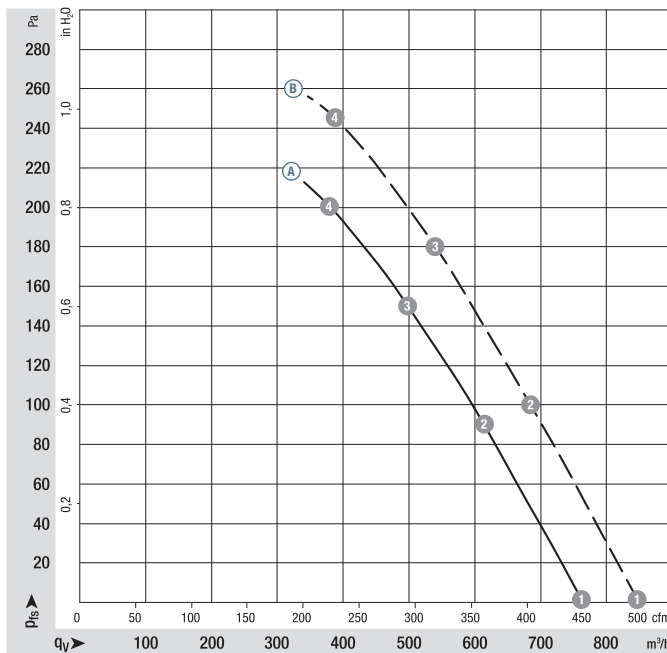
## Nominal data

Type	Motor	Curve	Nominal voltage	Frequency	Air flow	Nominal speed	Power consumption	Input current	Capacitor	Sound power level	Max. back-pressure	Admissible amb. temp.	Weight	Connection diagram
			VAC	Hz	m <sup>3</sup> /h	rpm <sup>-1</sup>	W	A	µF/VDB	dB(A)	Pa	°C	kg	
K2E 200-AA52 -02	M2E 068-CF	Ⓐ 1	~ 230	50	765	2650	65	0.30	2.0/400	70	200	-25..+80	2.1	P. 280 / A1)
		Ⓑ 1	~ 230	60	845	2950	90	0.40	2.0/400	73	245	-25..+80	2.1	

Subject to change

### Curves:

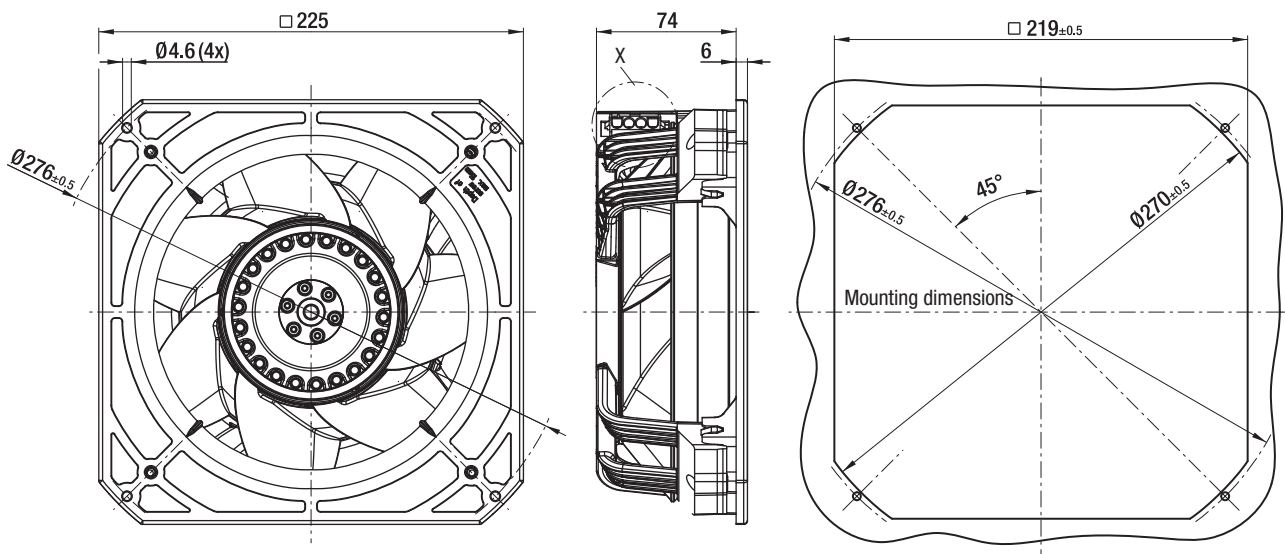
- 50 Hz
- - - 60 Hz



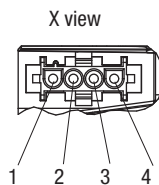
	n	P <sub>ed</sub>	I	L <sub>wA</sub>
	rpm <sup>-1</sup>	W	A	dB(A)
Ⓐ 1	2650	65	0.30	70
Ⓐ 2	2620	67	0.30	68
Ⓐ 3	2605	68	0.30	67
Ⓐ 4	2610	68	0.30	69
Ⓑ 1	2950	90	0.40	73
Ⓑ 2	2865	93	0.41	70
Ⓑ 3	2820	96	0.42	69
Ⓑ 4	2840	94	0.41	71

Air performance measured according to: ISO 5801. Installation category A, without contact protection. Suction-side noise levels: L<sub>wA</sub> according to ISO 13347, L<sub>pA</sub> measured at 1 m distance from fan axis. The values given are applicable only under the specified measuring conditions and may differ depending on the installation conditions. In the event of deviation from the standard configuration, the parameters must be checked after installation! For detailed information see <http://www.ebmpapst.com/general-conditions>

- **Motor protection:** Thermal overload protector (TOP) connected internally
- **Touch current:** < 0.75 mA acc. to IEC 60990 (test circuit, illustration 4)
- **Cable exit:** Lateral
- **Electrical hookup:** Via connector
- **Protection class:** I (with customer connection to grounding conductor)
- **Conformity with standard(s):** EN 60335-1, CE
- **Approvals:** UL 2111, CSA C22.2 no. 77



Coded plug system  
 Universal Mate-N-Lok  
 Connector shell: AMP 350 780-1  
 3x plug pins: AMP 926 885-1  
 Mating connector (not included in scope of delivery):  
 Connector shell: AMP 350 779-4  
 3x sockets: AMP 926 884-1



- 1 = not used
- 2 = N + capacitor
- 3 = L
- 4 = PE

Max. 880 m<sup>3</sup>/h

# AC diagonal module

Ø 200 mm



- **Material:** Housing: PA plastic  
Support bracket: PA plastic  
Impeller: PA plastic  
Rotor: Painted black
- **Number of blades:** 7
- **Direction of air flow:** "V", single inlet
- **Direction of rotation:** Clockwise, looking towards rotor
- **Degree of protection:** IP 44, depending on installation and position
- **Insulation class:** "F"
- **Installation position:** Any
- **Condensation drainage holes:** None
- **Mode of operation:** Continuous operation (S1)
- **Bearings:** Maintenance-free ball bearings

VJH0200X3MES

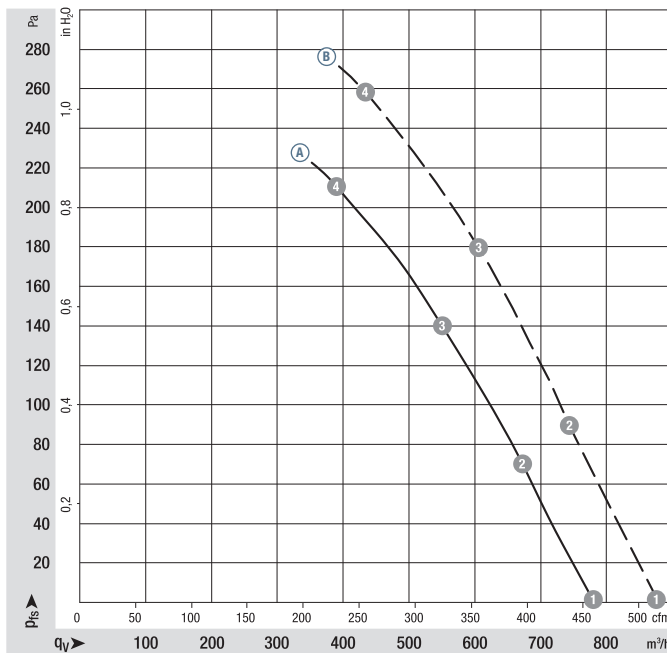
## Nominal data

Type	Motor	Curve	Nominal voltage	Frequency	Air flow	Nominal speed	Power consumption	Input current	Capacitor	Sound power level	Max. back-pressure	Admissible amb. temp.	Weight	Connection diagram
		VAC	Hz	m <sup>3</sup> /h	rpm <sup>-1</sup>	W	A	µF/VDB	dB(A)	Pa	°C	kg		
<b>K2D 200-AA02 -02</b>	M2D 068-CF	Ⓐ 3~400 Y	50	780	2700	65	0.15	---	71	210	-25..+75	2.0	P. 280 / C2)	
		Ⓑ 3~400 Y	60	880	3050	90	0.16	---	73	260	-25..+75	2.0		

Subject to change

### Curves:

- 50 Hz
- - - 60 Hz

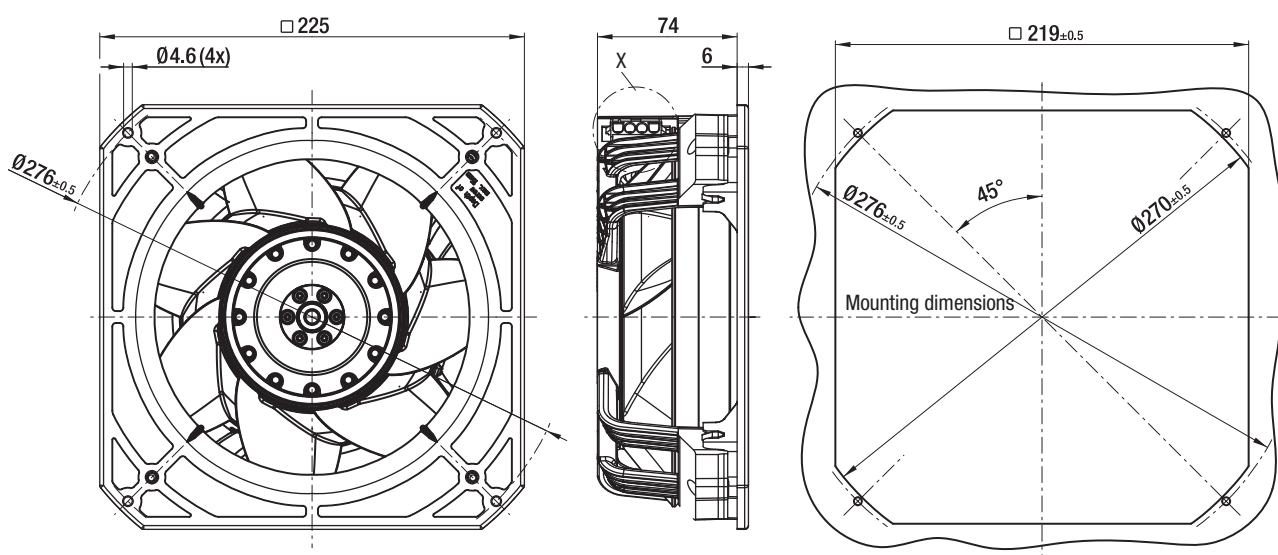


	n	P <sub>ed</sub>	I	L <sub>wA</sub>
	rpm <sup>-1</sup>	W	A	dB(A)
Ⓐ ①	2700	65	0.15	71
Ⓐ ②	2695	69	0.16	69
Ⓐ ③	2675	71	0.16	68
Ⓐ ④	2680	70	0.16	69
Ⓑ ①	3050	90	0.16	73
Ⓑ ②	3010	94	0.16	71
Ⓑ ③	2970	98	0.17	70
Ⓑ ④	2975	96	0.17	72

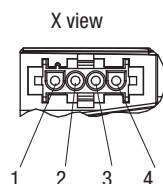
Air performance measured according to: ISO 5801. Installation category A, without contact protection. Suction-side noise levels: L<sub>wA</sub> according to ISO 13347, L<sub>pA</sub> measured at 1 m distance from fan axis. The values given are applicable only under the specified measuring conditions and may differ depending on the installation conditions. In the event of deviation from the standard configuration, the parameters must be checked after installation! For detailed information see <http://www.ebmpapst.com/general-conditions>



- **Motor protection:** thermal overload protector wired internally
- **Touch current:** < 0.75 mA acc. to IEC 60990 (test circuit, illustration 4)
- **Cable exit:** Lateral
- **Electrical hookup:** Via connector
- **Protection class:** I (with customer connection to grounding conductor)
- **Conformity with standard(s):** EN 60335-1, CE



Coded plug system  
 Universal Mate-N-Lok  
 Connector shell: AMP 350 780-1  
 4 x plug pins: AMP 926 885-1  
 Mating connector (not included in scope of delivery):  
 Connector shell: AMP 350 779-4  
 4x sockets: AMP 926 884-1



1 = L3  
 2 = L1  
 3 = L2  
 4 = PE



# AC centrifugal fans



AC centrifugal fan overview

245

AC centrifugal fans

246

# AC centrifugal fans

## Technical information



### Product line

The renowned ebm-papst AC fans are used when DC voltage is not available. The AC range of fans is based on experience gained from decades of development know-how, millions of units in series production, and the innovation competence of a world-wide technology pioneer.

In this catalog, we offer you the broad spectrum of our AC fans. In addition to complete systems, you will also find fans without external housing. They offer economic benefits whenever the air duct design can be integrated in the respective device.

### Variety of sizes

AC fans are available in a variety of sizes with either air exhaust or air intake over struts. Silent running models with sleeve bearings. Electrical connection with plug connection or external exposed connection wires are available.

### Shaded-pole or capacitor motors

Fan drives by shaded-pole or capacitor motors, most of which incorporate the world-famous ebm-papst external rotor principle. The fan blades are directly attached to the external rotor of the external rotor motor. This construction combining high performance with profitability.

### Flat built AC fans

ebm-papst also has AC fans with a particularly flat construction and an internal rotor motor. Their advantage: quick start to full speed. A plastic impeller and the smaller and lighter internal rotor motor result in lower rotational inertia.

### Bearings

AC fans with sleeve bearings are powered by Class E insulated motors. Fans with ball bearings are equipped with Class B, E, or F insulated motors.

### Degree of protection

All ebm-papst fans conform to the requirements of IP 20. Fans conforming to IP 54 / IP 65 and special degrees of protection are also available on request.

### AC voltage

The line of AC fans for Euro voltage according to IEC 60038 (230 V  $\pm$  10 %) is also available in 115 V.

### Frequencies

AC fans can be operated at frequencies of 50 or 60 Hz. In this case, their technical data changes accordingly.

### Capacitor

Fans driven by capacitor external motors provide particularly high operating efficiency. Generally, the required motor run capacitor is already integrated in the fan housing.

### Overloading

Almost all AC fans are protected against overloading (e. g. due to locked rotor) – either impedance protected (marked "Impedance protected" or "Z. P.") or equipped with a thermal switch (marked "Thermally protected" or "Th. P."). The model designation of these fans ends with "S".

# Centrifugal fans for AC operation

## Overview of air performance

Dimensions	Series	Air flow	Page
mm		m <sup>3</sup> /h	
<input type="checkbox"/> 121 x 37	RL 90	40...42	246
<input type="checkbox"/> 135 x 38	RG 90	47...54	247
<input type="checkbox"/> 180 x 40	RG 125	86...94	248
<input type="checkbox"/> 220 x 56	RG 160	202...223	249
∅ 138 x 40	RER 125	104...115	250
∅ 176 x 54	RER 160	234...274	251

Subject to change

## Overview of technically feasible designs

Dimensions	VDE, UL, CSA	SMTEC sleeve bearings/ Ball bearings	Speed signal	Moisture protection IP >= 54	IP 65	Salt spray protection	Page	
mm	Series	OPTIONAL					P.	
<input type="checkbox"/> 121 x 37	RL 90	yes <input type="checkbox"/> / <input type="checkbox"/>	-	•	•	-	•	246
<input type="checkbox"/> 135 x 38	RG 90	yes <input type="checkbox"/> / <input type="checkbox"/>	-	•	•	-	•	247
<input type="checkbox"/> 180 x 40	RG 125	yes <input type="checkbox"/>	-	•	•	-	•	248
<input type="checkbox"/> 220 x 56	RG 160	yes <input type="checkbox"/>	-	•	•	-	•	249
∅ 138 x 40	RER 125	yes <input type="checkbox"/>	-	•	•	-	•	250
∅ 176 x 54	RER 160	yes <input type="checkbox"/>	-	•	•	-	•	251

Subject to change

• available    - not yet available     Sleeve bearings     Ball bearings

Max. 42 m<sup>3</sup>/h

# AC centrifugal fans

□ 121 x 37 mm



- **Material:** Scroll housing: GRP<sup>1)</sup> (PBT)  
Impeller: GRP<sup>1)</sup> (PA)  
Housing base: Sheet steel
  - **Direction of air flow:** Centrifugal: discharge through window in housing
  - **Direction of rotation:** Clockwise, looking towards rotor
  - **Connection:** Via 2 single wires; housing base with flat plugs 6.3 x 0.8 mm for ground conductor
  - **Highlights:** Forward-curved impeller
  - **Weight:** 680 g
- **Possible special versions:** (See page 10)
    - Moisture protection
    - Salt spray protection
    - Degree of protection: IP 54

1) Fiberglass-reinforced plastic

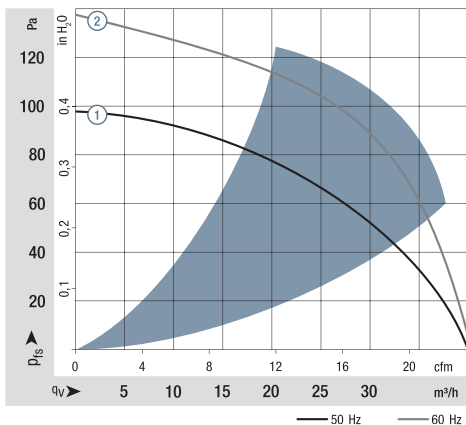
Series RL 90  
VHS0090XQHCS

**Nominal data**

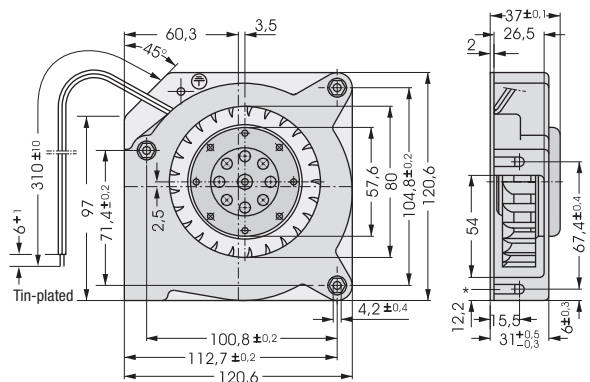
Type	Air flow		Nominal voltage	Frequency	Sound power level	Sinter sleeve bearings Ball bearings		Power consumption	Nominal speed	Temperature range	Service life L <sub>10</sub>		Curve
	m <sup>3</sup> /h	cfm				VAC	Hz				Bel(A)	□ / ■	
RL 90-18/50	40	23.5	230	50	5.6	□	20.0	2 450	-10...+50	37 500 / 30 000		①	
RL 90-18/56	40	23.5	230	50	5.6	■	20.0	2 450	-30...+70	37 500 / 20 000		①	
RL 90-18/00	42	24.7	115	60	6.0	□	19.5	2 550	-10...+60	37 500 / 25 000		②	
RL 90-18/06	42	24.7	115	60	6.0	■	19.5	2 550	-30...+85	37 500 / 15 000		②	

Subject to change

Fan type		Connection wires
RL 90-18/50	RL 90-18/00	AWG 18, TR 32
RL 90-18/56	RL 90-18/06	AWG 22



Air performance measured according to: ISO 5801.  
Installation category A, without contact protection.  
Noise: Total sound power level L<sub>wp</sub>A ISO 10302 measured on a hemisphere with a radius of 2 m;  
Sound pressure level L<sub>p</sub>A measured at 1 m distance from fan axis.  
The values given are applicable only under the specified measuring conditions and may differ depending on the installation conditions, described measurement set-up and may vary depending on the installation situation.  
For detailed information see <http://www.ebmpapst.com/general-conditions>

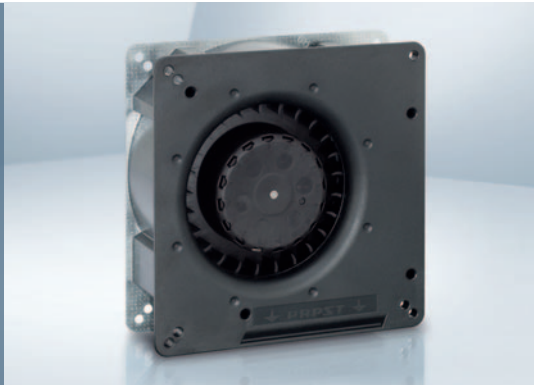


\*Speed nut M4 or 8-32UNC. Screw- in depth max.12.5 min 9.0

Max. 54 m<sup>3</sup>/h

# AC centrifugal fans

□ 135 x 38 mm



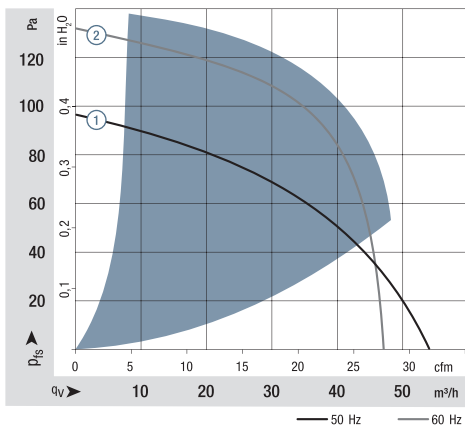
- **Material:** Scroll housing: GRP<sup>1)</sup> (PBT)  
Impeller: GRP<sup>1)</sup> (PA)  
Housing base: Sheet steel
  - **Direction of air flow:** Centrifugal: discharge through window in housing
  - **Direction of rotation:** Clockwise, looking towards rotor
  - **Connection:** To 2 single wires AWG 22.
  - **Highlights:** Forward-curved impeller
  - **Weight:** 560 g
- **Possible special versions:** (See page 10)
    - Moisture protection
    - Salt spray protection
    - Degree of protection: IP 54

1) Fiberglass-reinforced plastic

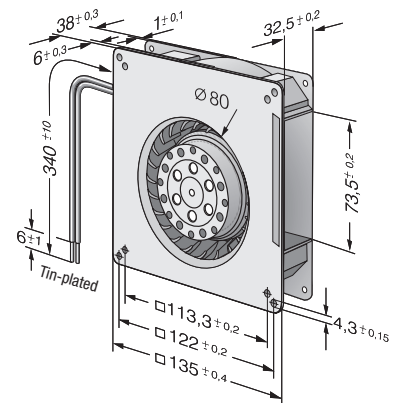
Series RG 90  
VHS0090XQHCS

Nominal data	Air flow		Nominal voltage	Frequency	Sound power level	Sinter sleeve bearings Ball bearings		Power consumption	Nominal speed	Temperature range	Service life L <sub>10</sub>		Curve
	m <sup>3</sup> /h	cfm				VAC	Hz				Bel(A)	□ / ■	
RG 90-18/50	54	32	230	50	5.8	□	■	22.0	2 200	-30...+60	35 000 / 22 500	①	
RG 90-18/56	54	32	230	50	5.8	■	■	22.0	2 200	-30...+60	35 000 / 22 500	①	
RG 90-18/00	47	28	115	60	6.2	□	■	22.0	1 900	-30...+65	35 000 / 20 000	②	
RG 90-18/06	47	28	115	60	6.2	■	■	22.0	1 900	-30...+65	35 000 / 20 000	②	

Subject to change



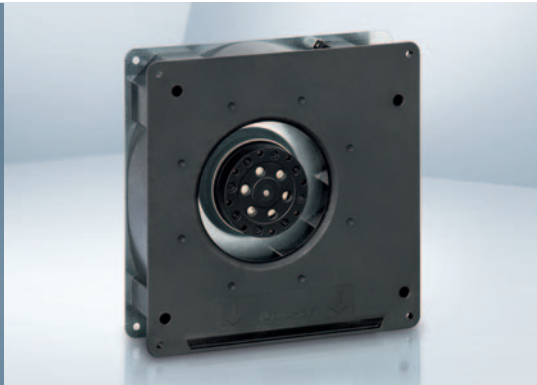
Air performance measured according to: ISO 5801.  
Installation category A, without contact protection.  
Noise: Total sound power level L<sub>WA</sub> ISO 10302 measured on a hemisphere with a radius of 2 m.  
Sound pressure level L<sub>pA</sub> measured at 1 m distance from fan axis.  
The values given are applicable only under the specified measuring conditions and may differ depending on the installation conditions.  
In the event of deviation from the standard configuration, the parameters must be checked after installation!  
For detailed information see <http://www.ebmpapst.com/general-conditions>



Max. 94 m<sup>3</sup>/h

# AC centrifugal fans

□ 180 x 40 mm



- **Material:** Scroll housing: GRP<sup>1)</sup> (PBT)  
Impeller: GRP<sup>1)</sup> (PA)  
Housing base: Sheet steel
  - **Direction of air flow:** Centrifugal: discharge through window in housing
  - **Direction of rotation:** Clockwise, looking towards rotor
  - **Connection:** To 2 single wires AWG 22.
  - **Highlights:** Backward-curved impeller
  - **Weight:** 850 g
- **Possible special versions:** (See page 10)
    - Moisture protection
    - Salt spray protection
    - Degree of protection: IP 54

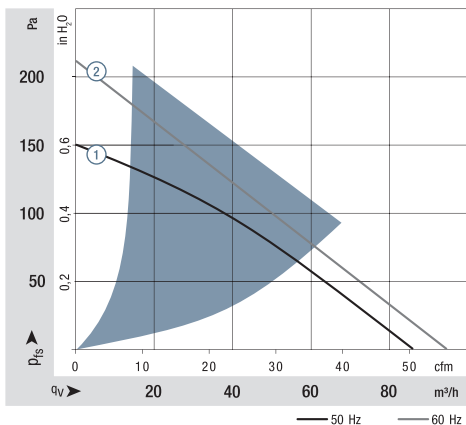
1) Fiberglass-reinforced plastic

Series RG 125  
VCS0125XQHCS

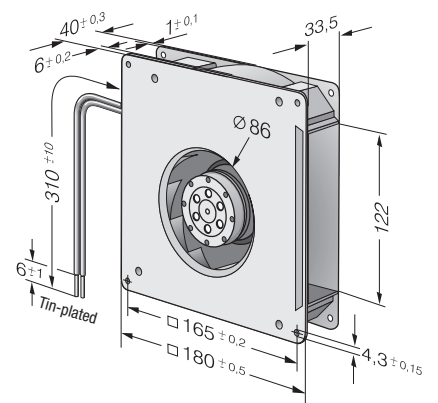
**Nominal data**

Type	Air flow		Nominal voltage	Frequency	Sound power level	Sinter sleeve bearings Ball bearings		Power consumption	Nominal speed	Temperature range	Service life L <sub>10</sub>		Curve
	m <sup>3</sup> /h	cfm				VAC	Hz				Bel(A)	□ / ■	
RG 125-19/56	86	51	230	50	5.8	■	20.0	2 550	-30...+70	37 500 / 20 000		①	
RG 125-19/06	94	55	115	60	6.0	■	19.0	2 750	-30...+80	40 000 / 15 000		②	

Subject to change



Air performance measured according to: ISO 5801.  
Installation category A, without contact protection.  
Noise: Total sound power level L<sub>WA</sub> ISO 10302 measured on a hemisphere with a radius of 2 m.  
Sound pressure level L<sub>pA</sub> measured at 1 m distance from fan axis.  
The values given are applicable only under the specified measuring conditions and may differ depending on the installation conditions.  
In the event of deviation from the standard configuration, the parameters must be checked after installation!  
For detailed information see <http://www.ebmpapst.com/general conditions>





Max. 223 m<sup>3</sup>/h

# AC centrifugal fans

□ 220 x 56 mm



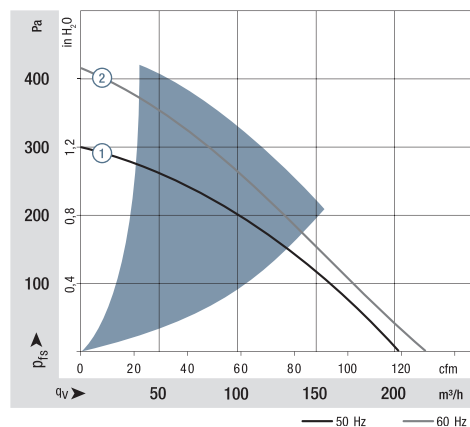
- **Material:** Scroll housing: GRP<sup>1)</sup> (PBT)  
Impeller: GRP<sup>1)</sup> (PA)  
Housing base: Sheet steel
  - **Direction of air flow:** Centrifugal: discharge through window in housing
  - **Direction of rotation:** Counterclockwise, looking towards rotor
  - **Connection:** To 2 single wires AWG 18.
  - **Highlights:** Backward-curved impeller
  - **Weight:** 1.7 kg
- **Possible special versions:**  
(See page 10)  
- Moisture protection

1) Fiberglass-reinforced plastic

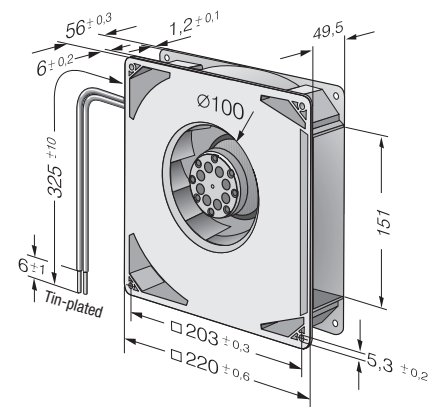
Series RG 160  
VCS0160XQKDS

Nominal data	Air flow		Nominal voltage	Frequency	Sound power level	Sinter sleeve bearings Ball bearings		Power consumption	Nominal speed	Temperature range	Service life L <sub>10</sub>		Curve
	m <sup>3</sup> /h	cfm				VAC	Hz				Bel(A)	□ / ■	
RG 160-28/56S	202	119	230	50	6.6	■	47.0	2 750	-30...+70	30 000 / 15 000	①		
RG 160-28/06S	223	131	115	60	6.9	■	50.0	3 050	-30...+80	27 500 / 12 500	②		

Subject to change



Air performance measured according to: ISO 5801.  
Installation category A, without contact protection.  
Noise: Total sound power level L<sub>WA</sub> ISO 10302 measured on a hemisphere with a radius of 2 m.  
Sound pressure level L<sub>pA</sub> measured at 1 m distance from fan axis.  
The values given are applicable only under the specified measuring conditions and may differ depending on the installation conditions.  
In the event of deviation from the standard configuration, the parameters must be checked after installation!  
For detailed information see <http://www.ebmpapst.com/general conditions>



Max. 115 m<sup>3</sup>/h

# AC centrifugal fans

Ø 138 x 40 mm



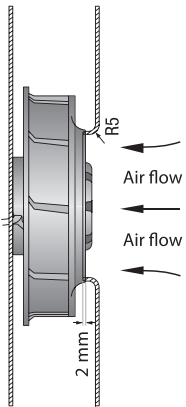
- **Material:** Scroll housing: GRP<sup>1)</sup> (PBT)  
Impeller: GRP<sup>1)</sup> (PA)  
with sheet steel reinforced
  - **Direction of air flow:** centrifugal
  - **Direction of rotation:** Clockwise,  
looking towards rotor
  - **Connection:** To 2 single wires AWG 22.
  - **Highlights:** Backward-curved impeller
  - **Weight:** 500 g
- **Possible special versions:**  
(See page 10)
    - Moisture protection
    - Salt spray protection
    - Degree of protection: IP 54

1) Fiberglass-reinforced plastic

Series RER 125  
VBS0125XQHCS

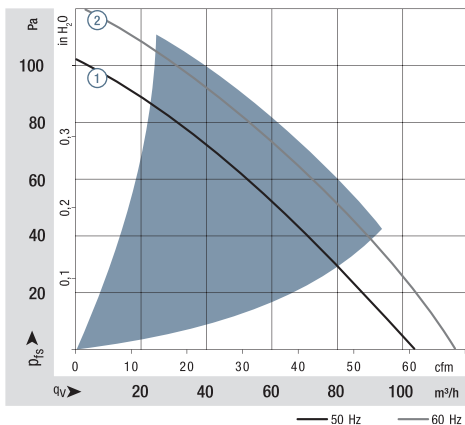
Nominal data	Air flow		Nominal voltage	Frequency	Sound power level	Sinter sleeve bearings Ball bearings		Power consumption	Nominal speed	Temperature range	Service life L <sub>10</sub>		Curve
	m <sup>3</sup> /h	cfm				VAC	Hz				Bel(A)	■ / □	
RER 125-19/56	104	61	230	50	6.2	■	19.0	2 600	-30...+60	37 500 / 22 500		①	
RER 125-19/06	115	68	115	60	6.5	■	18.0	2 850	-30...+70	40 000 / 20 000		②	

Subject to change



The air flow and sound level of the centrifugal fans without external housing depend on their individual installation conditions. The stated air flow and noise levels have been measured under the following conditions:

Centrifugal fan mounted on a base plate 220 x 220 mm.  
Cover plate 220 x 220 mm with an air inlet of Ø 86 mm, concentric to the impeller.



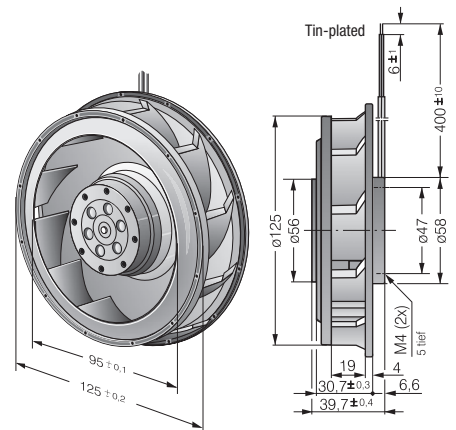
Air performance measured according to: ISO 5801.  
Installation category A, with ebm-papst inlet ring without contact protection.

Noise: Total sound power level L<sub>WA</sub> ISO 10302 measured on a hemisphere with a distance of 2 m.  
Sound pressure level L<sub>PA</sub> measured at 1 m distance from fan axis.

The values given are applicable only under the specified measuring conditions and may differ depending on the installation conditions.

In the event of deviation from the standard configuration, the parameters must be checked after installation!

For detailed information see [http://www.ebmpapst.com/general\\_conditions](http://www.ebmpapst.com/general_conditions)



Max. 274 m<sup>3</sup>/h

# AC centrifugal fans

Ø 176 x 54 mm



- **Material:** Scroll housing: GRP<sup>1)</sup> (PBT)  
Impeller: GRP<sup>1)</sup> (PA)  
with sheet steel reinforced
  - **Direction of air flow:** centrifugal
  - **Direction of rotation:** Counterclockwise,  
looking towards rotor
  - **Connection:** To 2 single wires AWG 18
  - **Highlights:** Backward-curved impeller
  - **Weight:** 1.0 kg
- **Possible special versions:**  
(See page 10)  
- Moisture protection

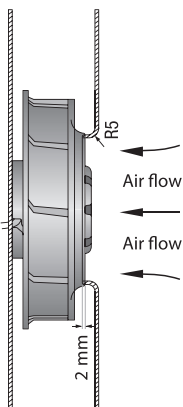
1) Fiberglass-reinforced plastic

Series RER 160  
VBS0160XQKDS

**Nominal data**

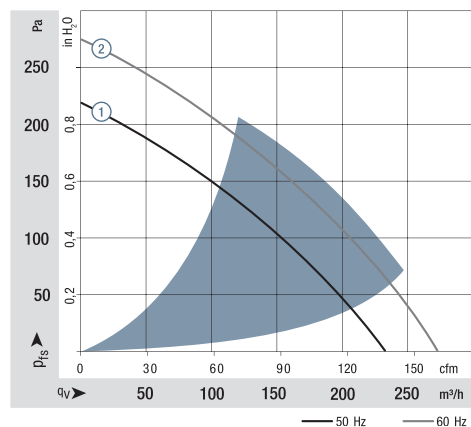
Type	Air flow		Nominal voltage	Frequency	Sound power level	Sinter sleeve bearings Ball bearings	Power consumption	Nominal speed	Temperature range	Service life L <sub>10</sub>		Curve
	m <sup>3</sup> /h	cfm								VAC	Hz	
RER 160-28/56S	234	138	<b>230</b>	<b>50</b>	6.6	■	45.0	2 800	-30...+60	30 000 / 20 000		①
RER 160-28/06S	274	161	<b>115</b>	<b>60</b>	6.8	■	46.0	3 250	-30...+70	30 000 / 15 000		②

Subject to change

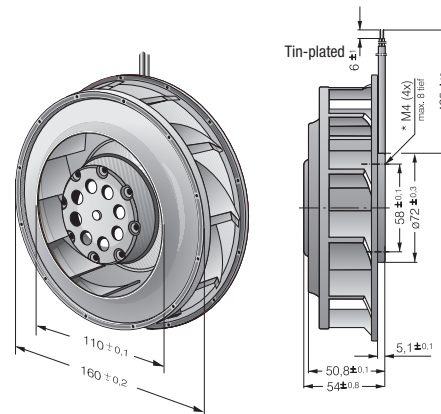


The air flow and sound level of the centrifugal fans without external housing depend on their individual installation conditions. The stated air flow and noise levels have been measured under the following conditions:

- Centrifugal fan mounted on a base plate 260 x 260 mm.
- Cover plate 260 x 260 mm with an air inlet of Ø 100 mm, concentric to the impeller.

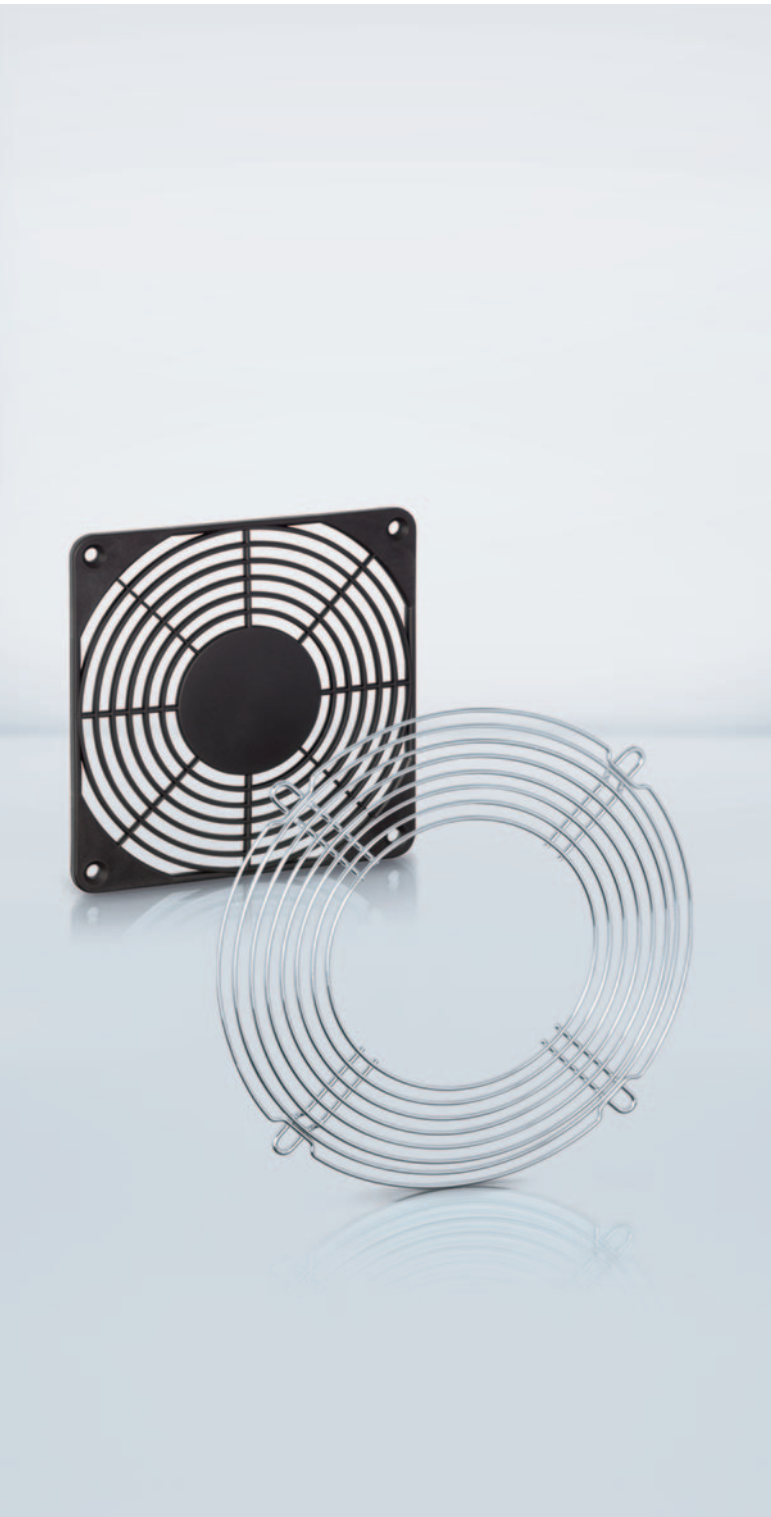


Air performance measured according to: ISO 5801.  
Installation category A, with ebm-papst inlet ring without contact protection.  
Noise: Total sound power level L<sub>WA</sub> ISO 10302 measured on a hemisphere with a distance of 2 m.  
Sound pressure level L<sub>PA</sub> measured at 1 m distance from fan axis.  
The values given are applicable only under the specified measuring conditions and may differ depending on the installation conditions.  
In the event of deviation from the standard configuration, the parameters must be checked after installation!  
For detailed information see <http://www.ebmpapst.com/general-conditions>





# Accessories



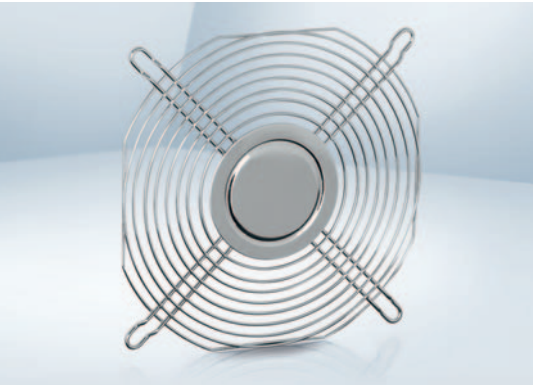
Finger guards	254
Filter fan guards	264
Air inlet grill	267
Inlet rings	268
Connection cables	270
Handheld Programmer	271
Accessories	272
Connection diagrams	273

ebm-papst offers a comprehensive selection of accessories for optimum fan operation, from temperature sensors for speed-controlled fans, to finger guards for all variants, to cables, filters, and screens, to spacers and installation parts. Even in the case of very special parts, you can be sure: We will assist you every way possible. The sales experts at ebm-papst will be happy to assist you with your question concerning fan installation and use.

From selection to accessories:

Insist on the efficient and reliable service provided by ebm-papst.

# Finger guards



- **Material:** Galvanized or nickel-plated steel wire
- **Note:** Finger guard according to DIN EN ISO 13857 (previously EN 294). Additional finger guards that do not satisfy DIN EN ISO 13857 available on request.  
Our finger guards are designed specifically to be used with ebm-papst fans. They combine the highest degree of safety with minimum effect on the operating noise. Please note that the safety-related clearances cannot be guaranteed when finger guards made by other manufacturers are used.

Fan size	Fan series	Type	Order number	Side	Drawing see page
40 x 40	400 F, 400, 420 J	<b>LZ29-1</b>	9920029001	Intake/Outlet	255
50 x 50	500 F	<b>LZ31</b>	9920031000	Intake/Outlet	255
60 x 60	600 F, 620, 630, 600 N, 600 J	<b>LZ28</b>	9920028000	Intake/Outlet	255
		<b>LZ28-1</b>	9920028001		
80 x 80	8450, 8400 N, 8300 N, 8200 J, 8000 N, CoR 8200 J	<b>LZ22-2</b>	9920022002	Intake/Outlet	255
		<b>LZ32-4</b>	9920032004		
		<b>LZ22-N</b>	9920022001		
		<b>LZ32-14</b>	9920145006		
92 x 92	3400 N, 3300 N, 3200 J, 3250 J, 3900, 3000	<b>LZ23</b>	9920023000	Intake/Outlet	255
		<b>LZ23-1</b>	9920023001		
119 x 119	4400 F, 4400 FN, 4300 N, 4400, 4100 N, 4000 N, 4000 Z, 9900	<b>LZ20</b>	9920020000	Intake/Outlet	255
		<b>LZ30</b>	9920030000		256
		<b>LZ30-3</b>	9920030003		
		<b>LZ30-4</b>	9920030004		
127 x 127	DV 4100	<b>LZ30-4</b>	9920030004	Intake/Outlet	256
	DV 5200	<b>LZ35</b>	9920035000	Intake/Outlet	256
	5200 N, 5900	<b>LZ35</b> <b>LZ35-2</b>	9920035000 9920035002	Intake/Outlet	256
135 x 135	5100 N, 5600	<b>LZ25</b>	9920025000	Intake/Outlet	256
140 x 140	5300, 5300 TD	<b>LZ53</b>	9920053000	Intake/Outlet	256
Ø 150	7100 N, 7200 N	<b>LZ24</b>	9920024000	Intake/Outlet	256
		<b>LZ27</b>	9920027000	Intake/Outlet	257
		<b>LZ36</b>	9920036000		
Ø 172	6300 N, 6300 NTD, 6300, 6300 TD	<b>LZ26</b>	9920026000	Intake/Outlet	257
		<b>LZ37</b>	9920037000		
		<b>LZ37-10</b>	9920145004		
		<b>LZ38</b>	9920038000		
	DV 6300	<b>LZ39</b> <b>LZ52</b>	9920039000 9920052000	Outlet side Intake side	257
172 x 150	6400, 6400 TD	<b>LZ38</b>	9920038000	Intake/Outlet	257
172 x 160	DV 6400, DV 6400 TD	<b>LZ38</b>	9920038000	Intake side	257
220 x 200	2200 FTD	<b>LZ22</b>	9920022000	Intake/Outlet	257
Fan unit		<b>LZ38-1</b>	9920038001		257

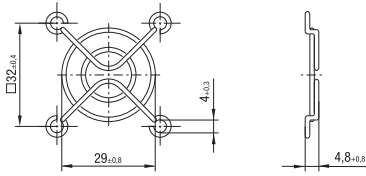
Subject to change

All measurements are given in mm.

# Finger guards

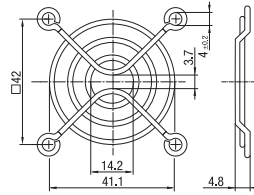
LZ29-1

Fan size 40 x 40



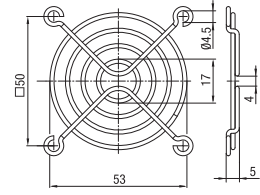
LZ31

Fan size 50 x 50



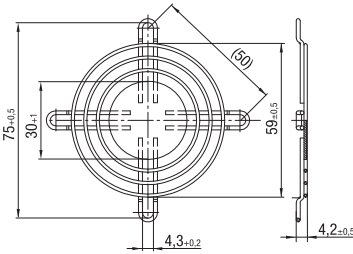
LZ28

Fan size 60 x 60



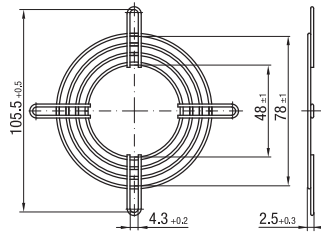
LZ28-1

Fan size 60 x 60



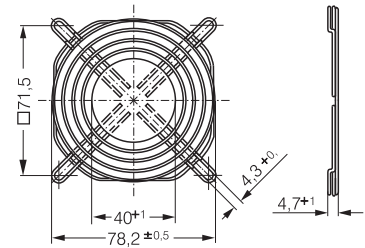
LZ22-2

Fan size 80 x 80



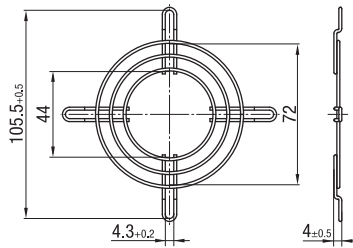
LZ32-4

Fan size 80 x 80



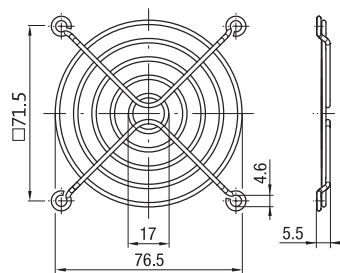
LZ22-N

Fan size 80 x 80



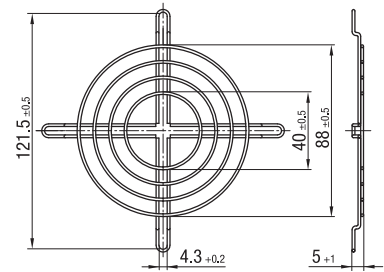
LZ32-14

Fan size 80 x 80



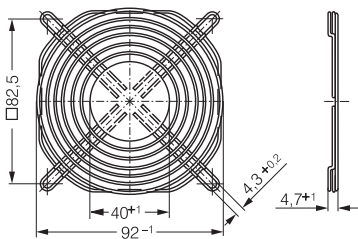
LZ23

Fan size 92 x 92



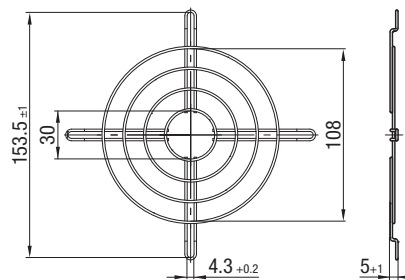
LZ23-1

Fan size 92 x 92



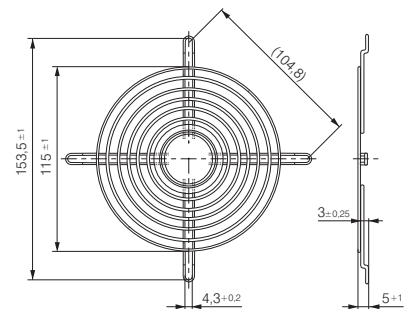
LZ20

Fan size 119 x 119



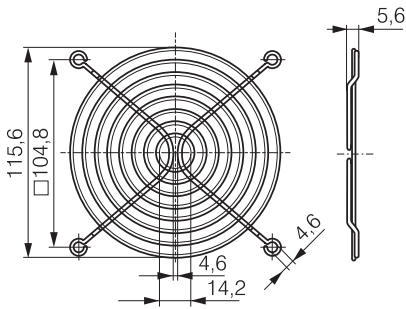
LZ30

Fan size 119 x 119

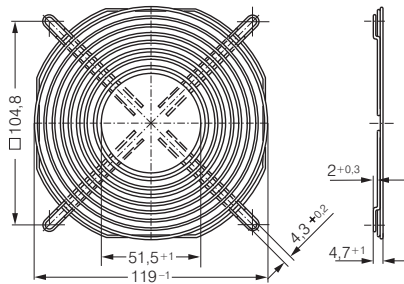


# Finger guards

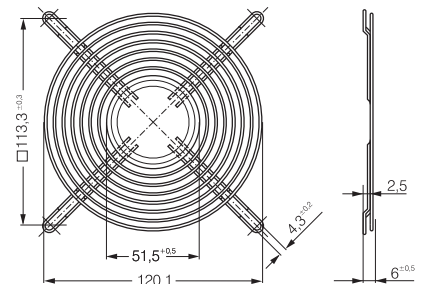
LZ30-3 Fan size 119 x 119



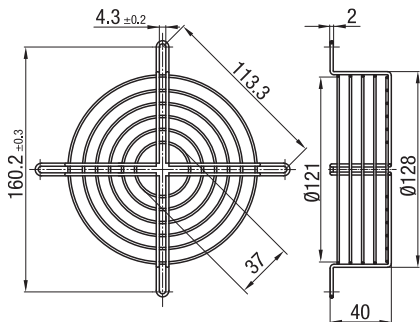
LZ30-4 Fan size 119 x 119



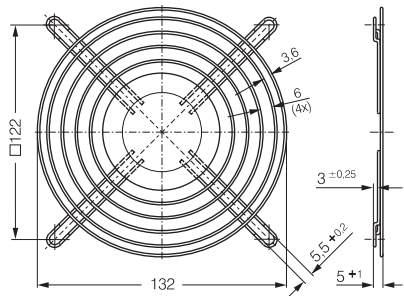
LZ35 Fan size 127 x 127



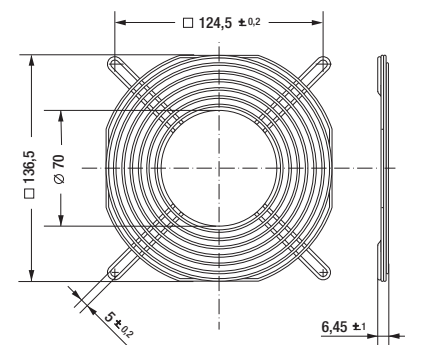
LZ35-2 Fan size 127 x 127



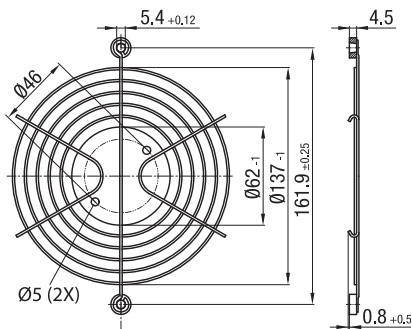
LZ25 Fan size 135 x 135



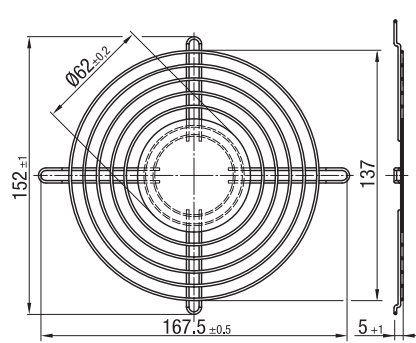
LZ53 Fan size 140 x 140



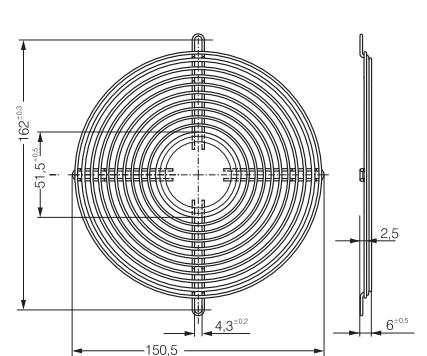
LZ24 Fan size Ø 150



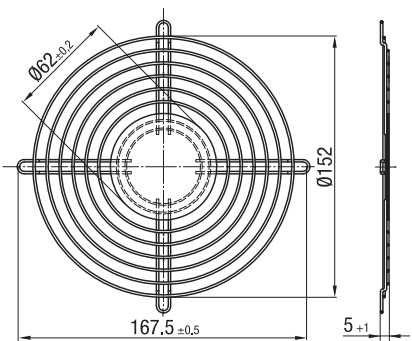
LZ27 Fan size Ø 150



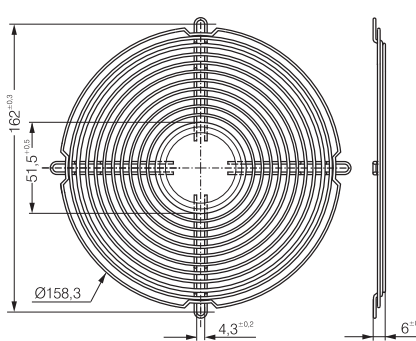
LZ36 Fan size Ø 150



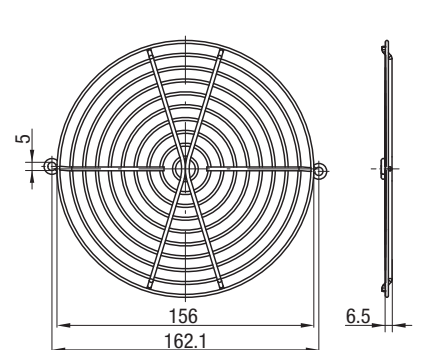
LZ26 Fan size Ø 172



LZ37 Fan size Ø 172



LZ37-10 Fan size Ø 172

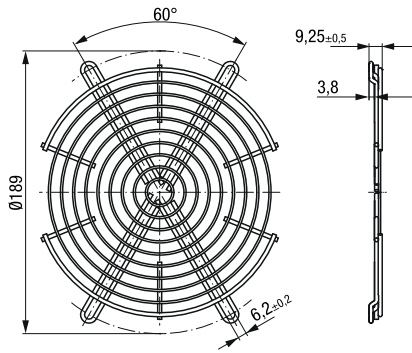




# Finger guards

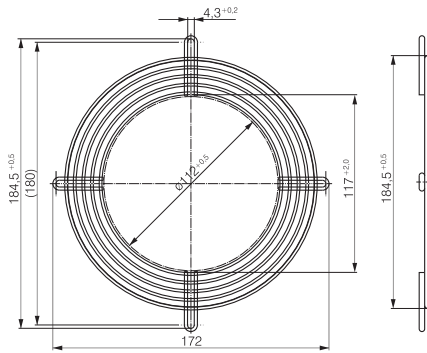
LZ38-1

Fan unit



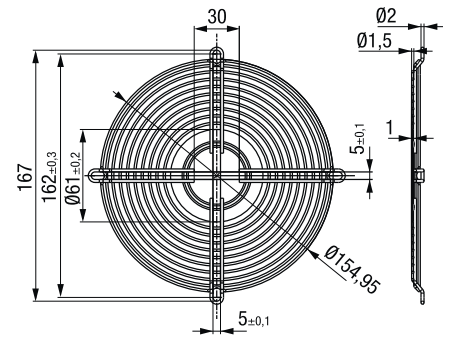
LZ39

Fan size Ø 172



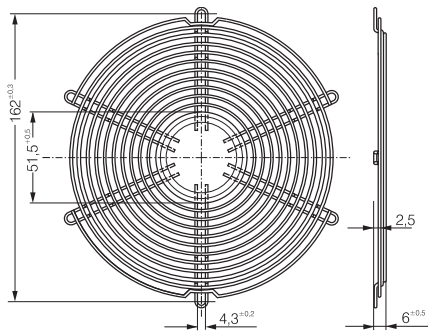
LZ52

Fan size Ø 172



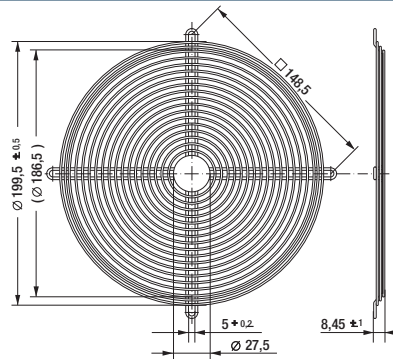
LZ38

Fan size 172 x 150  
172 x 160  
Ø 172



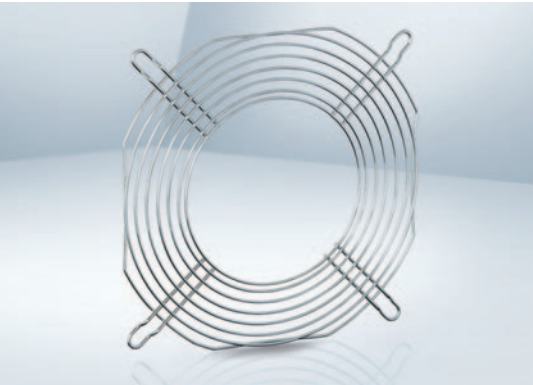
LZ22

Fan size 220 x 200



# Finger guards

ACmaxx / ACi



- **Material:** Galvanized or nickel-plated steel wire
- **Note:** Finger guard according to DIN EN ISO 13857 (previously EN 294).  
Finger guards for air outlet described on this page are specifically for fan series ACmaxx.  
For air intake side the standard finger guards with a corresponding dimension can be used.

## Finger guards made of metal

Fan size	Fan series	Type	Order number	Side	Drawing see page
80 x 80	AC 8300 H	<b>LZ32-7</b>	9920032007	Outlet side	259
	AC 8300 H	<b>LZ22-N</b>	9920022001	Intake side	255
		<b>LZ22-2</b>	9920022002		
		<b>LZ32-14</b>	9920145006		
		<b>LZ32-4</b>	9920032004		
92 x 92	AC 3200 J	<b>LZ23-6</b>	9920023006	Outlet side	259
	AC 3200 J	<b>LZ23</b>	9920023000	Intake side	255
		<b>LZ23-1</b>	9920023001		
119 x 119	ACi 4400, ACi 4400 N	<b>LZ20</b>	9920020000	Intake side	255
		<b>LZ30</b>	9920030000		
	AC 4400 FN	<b>LZ30-3</b>	9920030003		256
		<b>LZ30-4</b>	9920030004		
	AC 4400 FN AC 4300	<b>LZ30-9</b>	9920030009	Outlet side	259
Ø 172	AC 6200 N	<b>LZ26</b>	9920026000	Intake side	256
		<b>LZ37</b>	9920037000		
		<b>LZ37-10</b>	9920145004		257
		<b>LZ52</b>	9920052000		
	AC 6200 N	<b>LZ37-2</b>	9920037002	Outlet side	259

Subject to change

All measurements are given in mm.

## Finger guards made of plastic

Fan size	Fan series	Type	Order number	Side	Drawing see page
119 x 119	AC 4400 FN, AC 4300	<b>LZ30-5</b>	9920030005	Intake side	263
	ACi 4400, ACi 4400 N	<b>LZ30-6</b>	9920030006		
119 x 119	ACi 4400, ACi 4400 N	<b>LZ30-P</b>	9920030001	Intake/Outlet	263

Subject to change

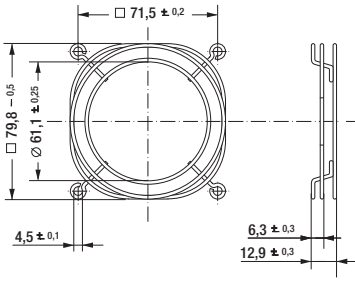
All measurements are given in mm.

# Finger guards

ACmaxx / ACi

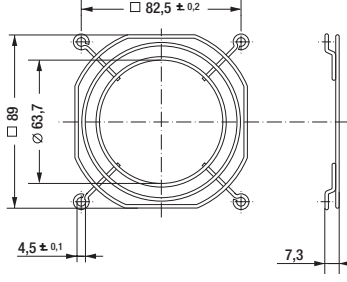
LZ32-7

Fan size 80 x 80



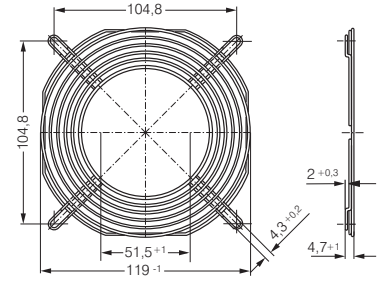
LZ23-6

Fan size 92 x 92



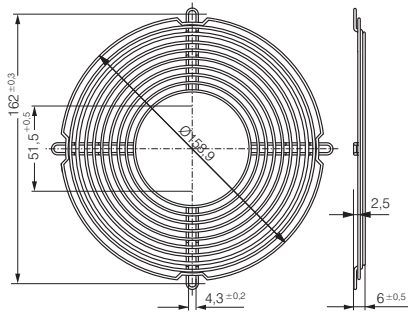
LZ30-9

Fan size 119 X 119

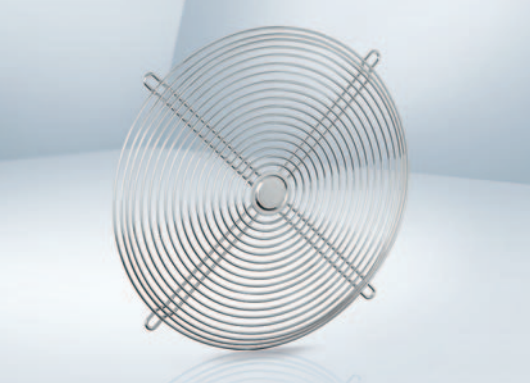


LZ37-2

Fan size  $\emptyset 172$



# Finger guards



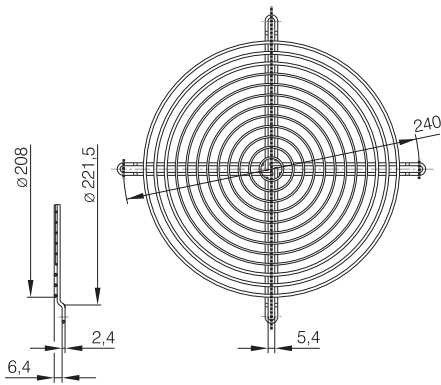
- **Material:** Steel wire, plastic-coated, with silver-metallic gloss

Fan size	Fan series	Order number	Side	Drawing see page
Ø 200	W3G 200	78128-2-4039	Intake/Outlet	260
Ø 250	W1G 250 W3G 250	09418-2-4039	Intake/Outlet	260

Subject to change All measurements are given in mm.

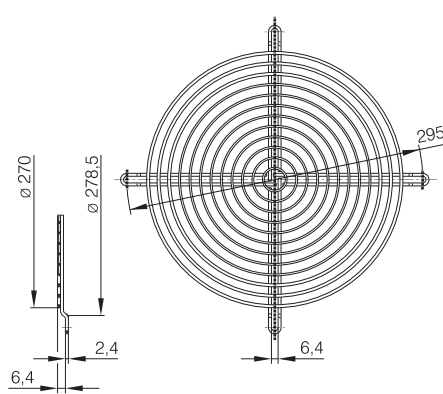
78128-2-4039

Fan size 200

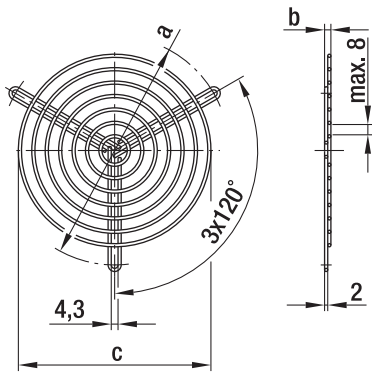


09418-2-4039

Fan size 250



# Finger guards



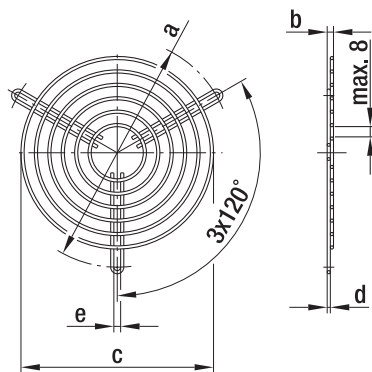
– **Material:** Steel wire

## Finger guards for centrifugal blowers with dual inlet

Fan size	Order no.	a	b	c	Coating	Highlights
097	83319-2-4039	96.0	3.5	71.0	Phosphated, plastic-coated in RAL no. 9005	for D2E097-CH
097	09485-2-4039	114.0	3.5	88.0	Phosphated, plastic-coated in RAL no. 9005	for D2E097-B
133 / 146	09500-2-4039	145.0	4.0	122.0	Phosphated, plastic-coated in RAL no. 9005	

Subject to change

All measurements are given in mm.



– **Material:** Phosphated steel wire, plastic-coated, silver-metallic gloss

## Finger guards for centrifugal blowers with dual inlet (versions with EW motor)

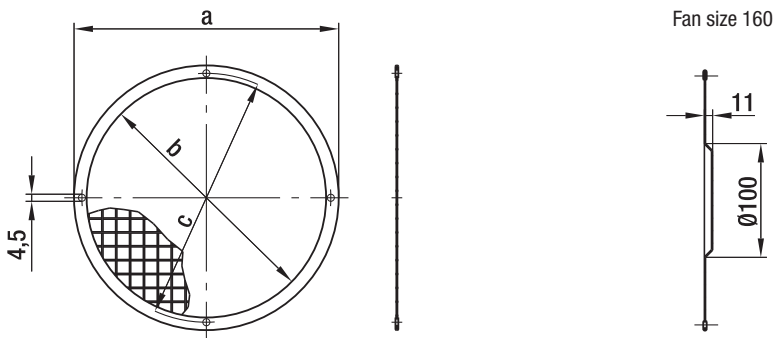
Fan size	Order no.	a	b	c	d	e
160	35000-2-4039	182.0	12.0	144.0	2.4	4.5

Subject to change

All measurements are given in mm.

# Finger guards

- **Material:** Welded screens made of hot-dip galvanized steel, border made of tin (0.4 mm thick)

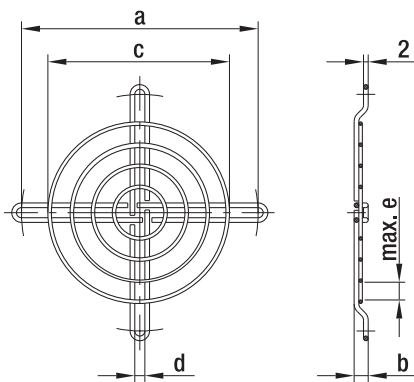


## Finger guards for centrifugal blowers with single inlet

Fan size	Order no.	a	b	c	Highligts
085	09489-2-4039	90.0	74.0	84.0	3 drilled holes staggered by 120°
108	09490-2-4039	126.0	110.0	118.0	
120	09494-2-4039	140.0	124.0	132.0	
140 / 146	09492-2-4039	168.0	152.0	158.0	
160	09503-2-4039	183.0	170.0	175.0	see picture fan size 160

Subject to change

All measurements are given in mm.



- **Material:** Steel wire

## Finger guards for centrifugal blowers with single inlet

Fan size	Order no.	a	b	c	d	e	Coating
076 / 085	98214-2-4039	101.0	6.0	79.0	4.3	8.0	Plastic coated, silver-metallic gloss
108	98214-2-4039	120.0	3.5	88.0	4.3	8.0	Plastic coated, silver-metallic gloss
140 / 146	25028-2-4039	162.0	8.5	139.0	4.3	8.0	Galvanized, chromitized in blue
160	17729-2-4039	175.0	3.5	139.0	4.6	7.0	Galvanized, chromitized in blue

Subject to change

All measurements are given in mm.

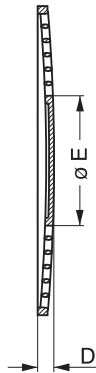
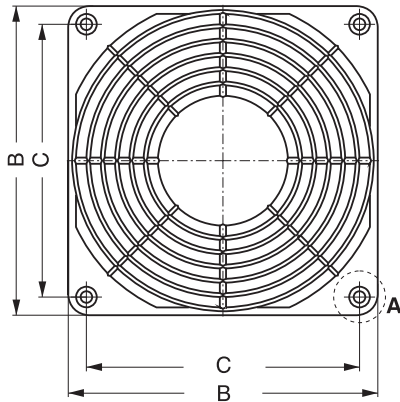
# Finger guards



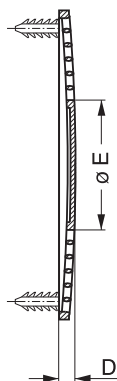
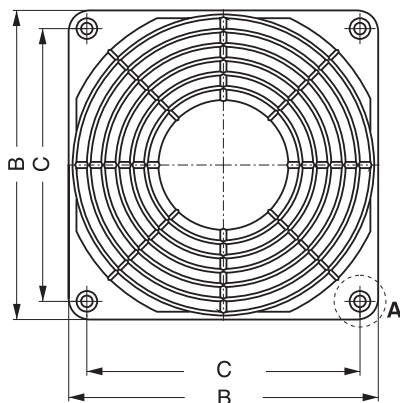
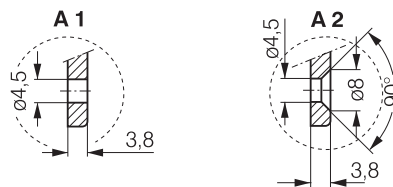
- **Material:** Fiberglass-reinforced plastic
- **Note:** Finger guard according to DIN EN ISO 13857 (previously EN 294). Plastic guards may not be used for the following models:  
8200 JH3 / JH4  
3200 JH3 / JH4  
4100 NH5 - NH8

Fan size	Fan series	Type	Order number	B	C	D	E	Mounting
60 x 60	600 F, 620, 630, 600 N, 600 J	<b>LZ28-3</b>	9920028003	60 <sup>-0.5</sup>	50.0 <sup>+0.2</sup>	3.0	24	A3
80 x 80	8450, 8400 N, 8300 N, 8200 J, 8000 N, CoR 8200 J	<b>LZ32-2</b>	9920032002	80 <sup>-0.5</sup>	71.5 <sup>+0.2</sup>	7.0	34	A1
		<b>LZ32-P</b>	9920032001					A2
		<b>LZ32-3</b>	9920032003					A3
92 x 92	3400 N, 3300 N, 3200 J, 3250 J, 3900, 3000	<b>LZ23-2</b>	9920023002	92 <sup>-0.5</sup>	82.5 <sup>+0.2</sup>	6.5	46	A1
		<b>LZ23-3</b>	9920023003					A3
119 x 119	4400 F, 4400 FN, 4300 N, 4400, 4100 N, 4000 N, 4000 Z, 9900, DV 4100	<b>LZ30-5</b>	9920030005	119 <sup>-0.5</sup>	105 <sup>+0.2</sup>	6.5	50	A2
		<b>LZ30-6</b>	9920030006					A4
		<b>LZ30-P</b>	9920030001					A2
127 x 127	5200 N, DV 5200, 5900	<b>LZ33-1</b>	9920033001	127 <sup>-0.5</sup>	113 <sup>+0.2</sup>	6.5	50	A2
		<b>LZ33-2</b>	9920033002					A4

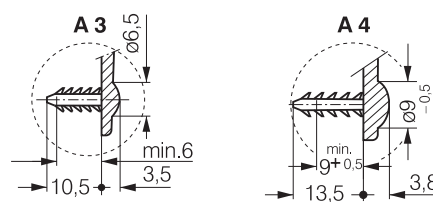
Subject to change All measurements are given in mm.



## Screw connection



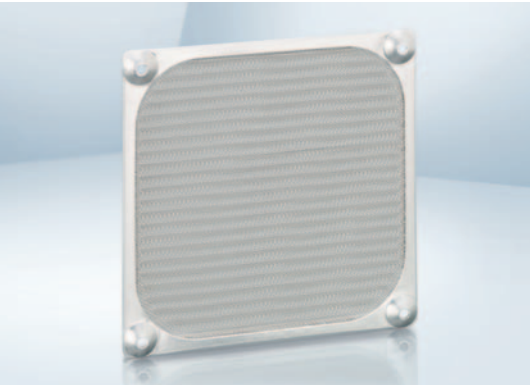
## Barbed inserts



Only suitable for bore hole diameter 4.3 - 4.7.

# Filter fan guards

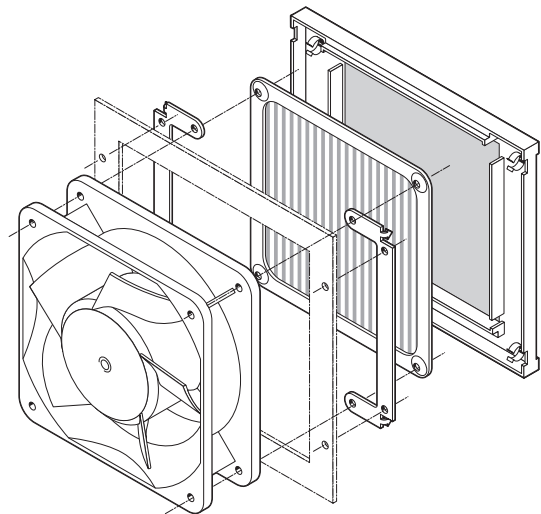
119 x 119



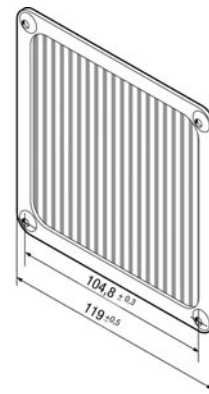
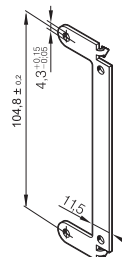
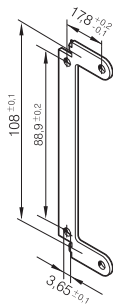
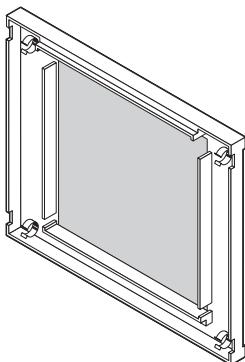
- **Material:** Filter guard LZ40 N: black, fiberglass-reinforced plastic with inserted wire mesh LZ60.  
Coarse filter LZ60: stainless steel wire mesh  
Mounting lug LZ40-1 for mounting

DC fan series	AC fan series	ACi fan series
4400 F	AC 4300	ACi 4400
4400 FN	9900	ACi 4400 N
4300 N	4000 N	
4400	4000 Z	
4100 N	AC 4400 FN	
DV 4100		

Subject to change All measurements are given in mm.



**LZ40N** Filter guard      **LZ40-1** Mounting lug      **LZ60** Coarse filter





# Filter fan guards



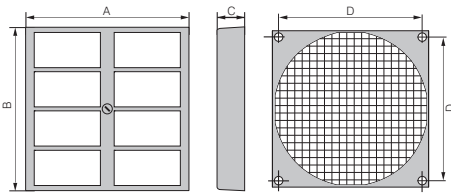
- **Material:** Guard cover: Injection-molded polycarbonate (PC) with mat surface.  
Mounting plate: wire mesh with black powder coating  
Filter pad: white, synthetically bonded fibers
- **Note:**  
Filter fan guards suitable for fitting on axial fan series in sizes: 60 mm, 80 mm, 92 mm, 119 mm,  $\varnothing$  172 mm. All filter units fit directly on the existing mounting holes of the fans.  
Filter fan guards consisting of 3 parts: external guard cover, internal mounting plate, and replaceable filter pad.  
The filter pad can be replaced quickly and easily via a quick release on the guard cover.  
The filter pads can be replaced even while the fan is running, as protection is provided by the welded wire mesh.

Fan size	Fan series	Type	Order number	A	B	C	D	Replacement filter*
60 x 60	600 F, 620, 630, 600 N, 600 J	<b>FF60</b>	9920034001	65	65	13.5	50.0	<b>RF 60</b>
80 x 80	8450, 8400 N, 8300 N, 8200 J, 8000 N, CoR 8200 J	<b>FF80</b>	9920034002	85	85	14.0	71.5	<b>RF 80</b>
92 x 92	3400 N, 3300 N, 3200 J, 3250 J, 3900, 3000	<b>FF92</b>	9920034003	125	105	17.5	82.5	<b>RF 92</b>
119 x 119	4400 F, 4400 FN, 4300 N, 4400, 4100 N, 4000 N, 4000 Z, 9900, DV 4100	<b>FF119</b>	9920034004	162	136	18.5	104.5	<b>RF 119</b>
$\varnothing$ 172 172 x 150 172 x 160	DV 6300, 6300, 6300 N, 6300 TD, 6300 NTD, DV 6300 TD, DV 6400, 6400, 6400 TD, DV 6400 TD	<b>FF172</b>	9920034005	226	190	19.5	162.0	<b>RF 172</b>

Subject to change \* Replacement filter available only in packages of 5.  
All measurements are given in mm.

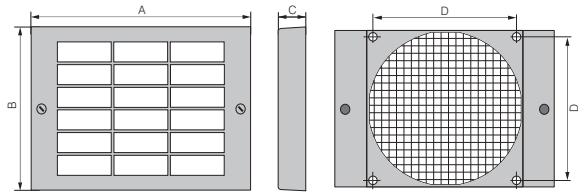
## FF60 / FF80

Fan size: 60 x 60 mm / 80 x 80 mm



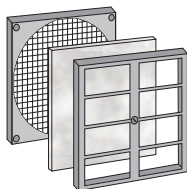
## FF92 / FF 119

Fan size: 92 x 92 mm / 119 x 119 mm



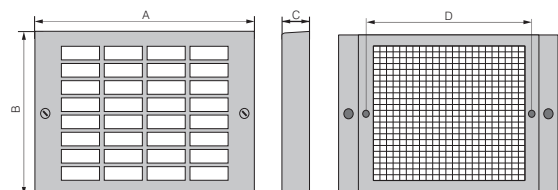
## Filter performance

The filter fan guard filters 75 % of dust particles with a size of 5-10 microns and can withstand temperatures of up to 100 °C. Filter class G3 according to DIN EN 779. Flame-retardant according to DIN 53438, class F1. When a clean filter is installed, a reduction of air flow of 20-30 % is possible.



## FF 172

Fan size:  $\varnothing$  172 mm



# Finger guards

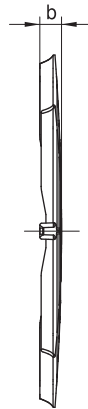
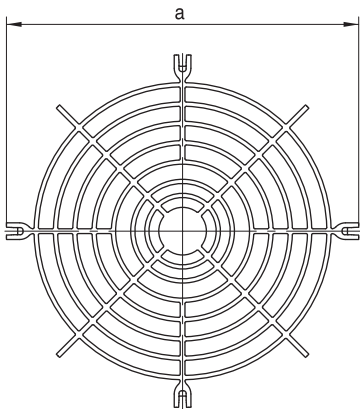
For compact centrifugal modules

- **Material:** PA plastic, fiberglass-reinforced
- **Highlights:** Flame protection class in line with UL 94V-0

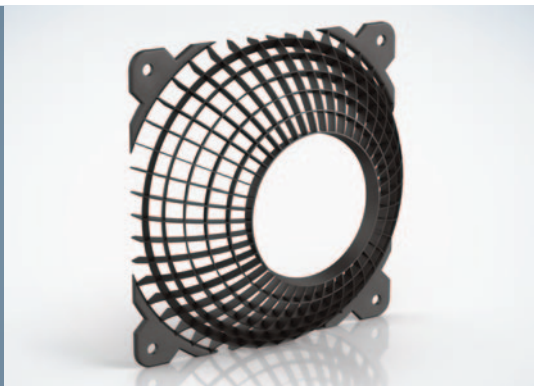


Fan size	Fan series	Type	Order number	a	b
Ø 190	RG 190 TD	<b>LZ46-1</b>	9920046001	133	9.0
Ø 220	RG 220 TD	<b>LZ47-1</b>	9920047001	166	8.7
Ø 225	RG 225 TD	<b>LZ48-1</b>	9920048001	158	8.7

Subject to change All measurements are given in mm.



# Air inlet grill

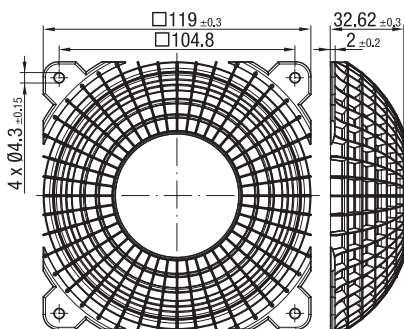


- **Material:** PA plastic, fiberglass-reinforced
- **Note:** For axial and diagonal fans  
Assembled on the air intake, the fan grid reduces the noise emission dramatically and minimizes disturbing low frequency sound.

Fan size	Fan series	Type	Order number	Side	Drawing see page
119 x 119	ACi 4400, ACi 4400 N, 4400, 4400 F, 4400 FN, AC 4400 FN, AC 4300, 4300 N, 4100 N, 4000 N, 4000 Z, 9900, DV 4100	<b>FG 119</b>	9920070000	Intake side	265
Subject to change					
All measurements are given in mm.					

FG 119

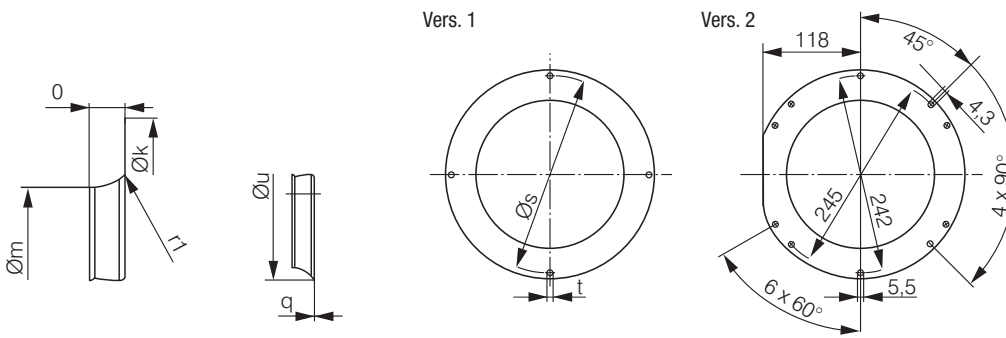
Fan size 119 x 119



# Inlet rings

For centrifugal fans

– **Material:**  
Galvanized sheet steel



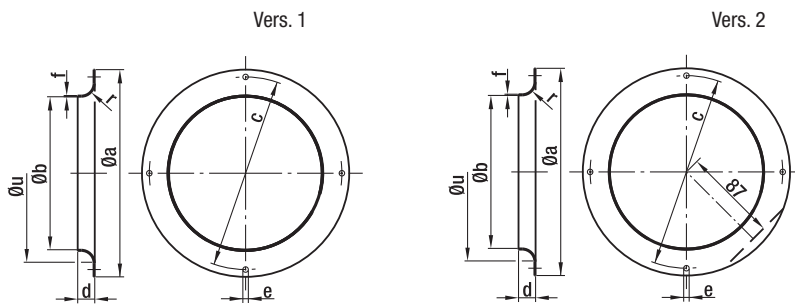
## Inlet rings for backward curved centrifugal fans

Fan size <sup>(1)</sup>	Type	Order number	Version	k	m	o	q	r <sub>1</sub>	s	t	u
RER 120 (S)/ 120 (P)	<b>LZ 1000-120</b>	96120-2-4013	1	146.0	94.4	18.0	0.80	16.0	134.0	4x4.5	126.0
RER 133 (P)	<b>LZ 1000-133</b>	09566-2-4013	1	129.0	87.0	13.0	1.00	8.0	118.0	4x4.5	103.0
RER 160 (S)	<b>LZ 1000-160</b>	09569-2-4013	1	142.0	100.0	9.0	1.00	8.0	132.0	4x4.5	—
RER 175/190 (P)	<b>LZ 1000-175</b>	09576-2-4013	1	170.0	125.5	14.0	1.25	10.0	158.0	4x4.5	146.0
RER 220 TD (P)	<b>LZ 1000-220</b>	09609-2-4013	2	252.0	155.0	21.0	0.80	21.8	242.0	6x5.5	119.0
RER 225 TD (P)	<b>LZ 1000-225</b>	96358-2-4013	1	223.0	146.0	28.0	1.50	25.0	210.0	4x4.5	196.0

Subject to change

(1) Fan size with key for impeller material: (P) = plastic, (S) = sheet steel, (A) = aluminum

All measurements are given in mm.



## Inlet rings for forward curved centrifugal fans

Fan size	Order number	Version	a	b	c	d	e	f	r	u	Highlights
085	09560-2-4013	1	92.0	63.4	84.0	6.0	3x4.2	0.80	6.8	—	3 drilled holes staggered by 120°
097	09563-2-4013	1	116.0	80.0	108.0	10.0	3x4.5	0.80	10.0	—	3 drilled holes staggered by 120°
108	09566-2-4013	1	129.0	87.0	118.0	13.0	4x4.5	1.00	8.0	—	
120	09569-2-4013	1	142.0	100.0	132.0	9.0	4x4.5	1.00	8.0	—	
133	09572-2-4013	1	150.0	112.0	142.0	12.0	4x4.5	1.00	10.0	—	
140 / 146	09576-2-4013	1	170.0	125.5	158.0	14.0	4x4.5	1.25	10.0	—	
160	09588-2-4013	2	185.0	130.0	175.0	17.0	4x4.5	0.75	12.0	—	

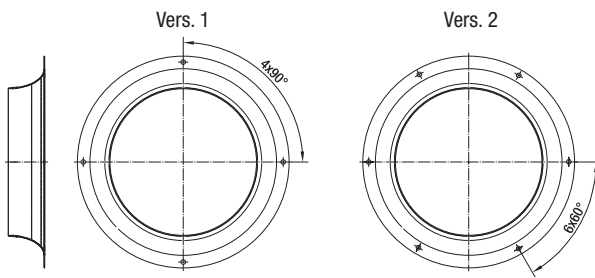
Subject to change

All measurements are given in mm.

# Inlet rings / air filter

For centrifugal fans

**Material:** Galvanized sheet steel

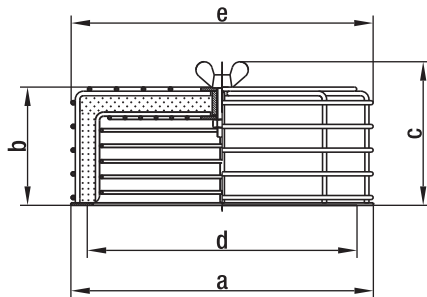


## Inlet rings without measuring device for backward curved centrifugal fans

Fan size	Order number	Version	Dimensions
190	09576-2-4013	1	See corresponding product page
220	09609-2-4013	2	See corresponding product page
225	96358-2-4013	1	See corresponding product page
250	96359-2-4013	1	See corresponding product page
280	28000-2-4013	1	See corresponding product page
310	31000-2-4013	1	See corresponding product page

Subject to change

All measurements are given in mm.



- **Material:** Steel wire or sheet steel, plastic coated in RAL no. 9005, black
- **Filter:** Viledon filter type R: PSB / 29 OS (according to DIN 24185)  
Separation capacity: < 86 %  
Efficiency: < 20 %  
Dust binding capacity: 650 g/m<sup>2</sup>

## Air filters for centrifugal blowers (with die-cast aluminum housing)

Fan size	Order number	a	b	c	d	e	Replacement filter
108 / 120	95777-1-5171	142.0	66.0	83.0	118-132	145.0	95779-1-5171
140 / 146 / 160	95778-1-5171	185.0	74.0	91.0	158-175	185.0	95780-1-5171

Subject to change

All measurements are given in mm.

# Cables

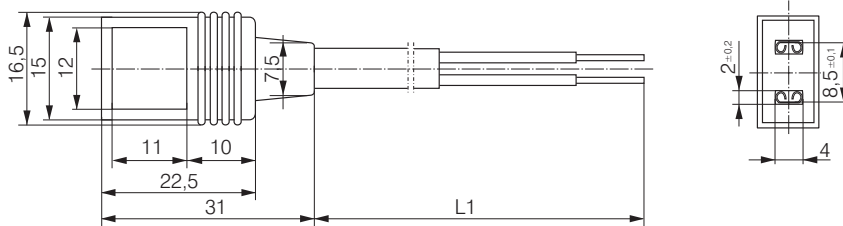
- Cable with molded plug connection in varying lengths.
- Wire end with wire end ferrules, crimped ferrules, or tin-plated.
- Straight or angled plug.
- For all fan types with flat plug 2.8 / 3.0 x 0.5.



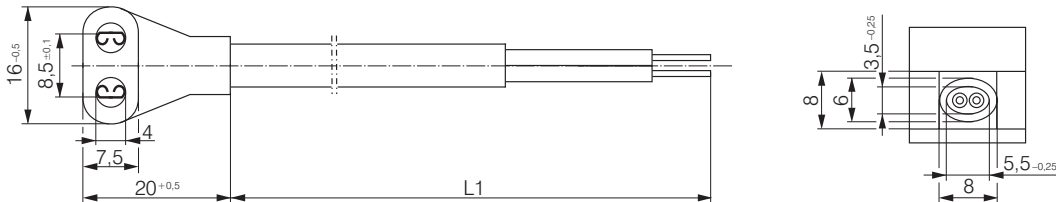
Order number	Type	L1 (mm)	Wires	Plug	Wire end	Flat push-on receptacle	Application
9920120000	<b>LZ120</b>	610	0.5 mm <sup>2</sup>	G	C	2.8 x 0.5	AC
9920120004	<b>LZ120-4</b>	2 000	0.5 mm <sup>2</sup>	G	A	2.8 x 0.5	AC
9920120005	<b>LZ120-5</b>	380	0.5 mm <sup>2</sup>	W	B	2.8 x 0.5	DC
9920120006	<b>LZ120-6</b>	610	0.5 mm <sup>2</sup>	W	B	2.8 x 0.5	DC
9920120010	<b>LZ120-10</b>	2 500	0.5 mm <sup>2</sup>	G	B	2.8 x 0.5	AC
9920120011	<b>LZ120-11</b>	2 000	0.5 mm <sup>2</sup>	G	A	2.8 x 0.5	DC
9920120013	<b>LZ120-13</b>	5 000	0.5 mm <sup>2</sup>	G	B	2.8 x 0.5	AC
9920120016	<b>LZ120-16</b>	800	0.5 mm <sup>2</sup>	G	B	2.8 x 0.5	AC
9920120017	<b>LZ120-17</b>	3 000	0.5 mm <sup>2</sup>	G	A	2.8 x 0.5	AC
9920120018	<b>LZ120-18</b>	4 000	0.5 mm <sup>2</sup>	G	A	2.8 x 0.5	AC
9920126000	<b>LZ126</b>	1 000	0.5 mm <sup>2</sup>	G	C	2.8 x 0.5	AC
9920127000	<b>LZ127</b>	1 600	0.5 mm <sup>2</sup>	G	B	2.8 x 0.5	AC
9920130001	<b>LZ130-1</b>	610	0.82 mm <sup>2</sup>	G	C	2.8 x 0.5	AC *
9920140000	<b>LZ140</b>	610	0.73 mm <sup>2</sup>	G	B	2.8 x 0.8	AC

All measurements are given in mm. \* UL-approved

**Cable** Straight plug (G)



**Cable** Angled plug (W)



**Wire end ferrules**

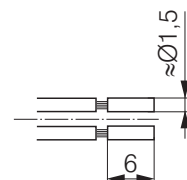
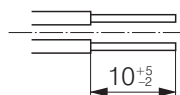
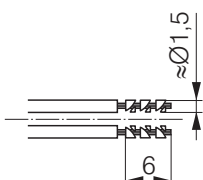
**Wire end A**

**Tin-plated**

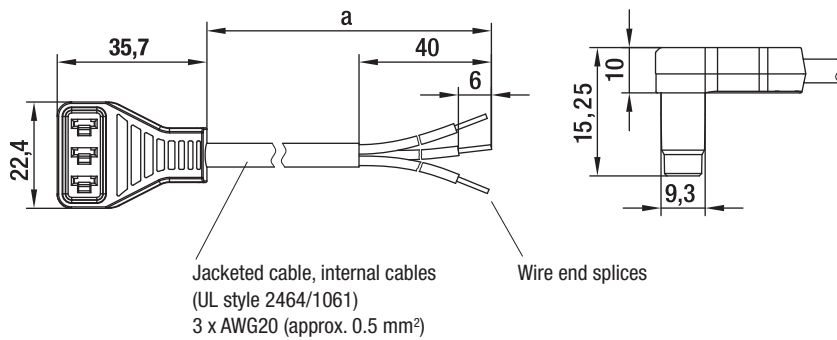
**Wire end B**

**Wire end ferrules**

**Wire end C**



# Cable (ESM) / Handheld Programmer



- **Design:** Cable conforms to UL standards sealed plug. Customized cables on request.

## Cables for energy-saving motors 115/230 VAC

Order number	a
13060-4-1040	450
13061-4-1040	1500

Subject to change



- Easy speed programming
- Battery operated
- User-friendly navigation menu
- Protective cover with folding stand

## For Energy Saving Motor (ESM) based products

Order number

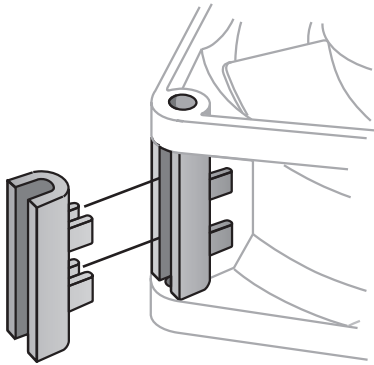
**CBC 000-AF08-01**

Subject to change

Makes quick work of programming the two ESM adjustable operating speeds. Eliminates the need for a PC, software adapter and second cable. Especially for use in production or by sales representatives. Automatic shut-off function for extended battery life. Mini USB plug for downloading software updates. Batteries, programming cable, and operating instructions included in scope of delivery.

# Accessories

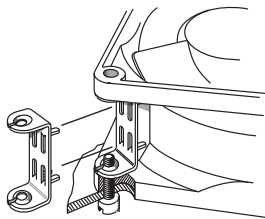
In addition to the accessories and installation parts listed here, ebm-papst also supplies a number of additional, sometimes very special parts for fans. Our company sales team is happy to offer you their expert assistance with all your questions regarding the installation and use of our fans.



Fan series	Type	Order number
4300 N	<b>LZ212</b>	9920212000
3400 N, 4400 F, 8400 N, 8450	<b>LZ261</b>	9920261000
4000, 5100, 5200, 5600, 5900, 7100, 7200, 9000	<b>LZ210</b>	9920210000
6200, 6300, 6300 N, 6400, 7100, 7200	<b>LZ215</b>	9920215000
For all temperature-controlled fans	<b>LZ370</b>	4871104201
For all fans with mounting holes of 4.3 mm	<b>LZ550</b>	6030020000
	<b>LZ551</b>	6030053002

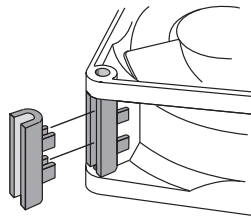
Subject to change

## LZ212



Screw clip of rustproof spring steel.  
For mounting fans with threaded pin  
3.5 DIN EN ISO 1478 (7970).

## LZ261



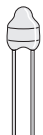
Spacer of fiberglass-reinforced plastic.  
For mounting with screws through both fan  
mounting flanges.

## LZ210



Screw clip of hardened steel.  
For mounting fans with threaded pin 6-32 UNC  
or 3.5 DIN 7970.

## LZ370

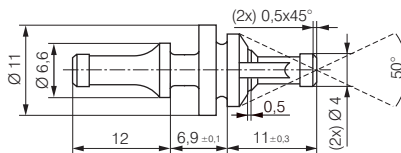


Required performance data:

$R_{25}$  = 100 K $\Omega$   $\pm$ 5% @25°C  
B-value = 4190  $\pm$ 2%  
 $P_{max}$  = 0,25 W

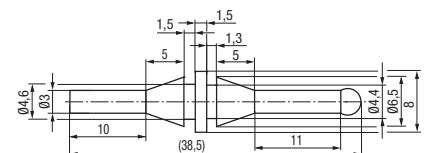
Temperature sensor for speed-controlled fan  
operation. Temperature range 30...50 °C.

## LZ550



Rubber anti-vibration mounts  
for fans with a hole diameter of 4.3  $\pm$ 0.2 mm  
and flange thickness of 3 to 5.5 mm.  
For a carrier plate with a hole diameter of  
6.5  $\pm$ 0.15 mm and plate thickness of 1 to 2 mm.

## LZ551



Rubber anti-vibration mounts  
for fans with a hole diameter of 4.3  $\pm$ 0.2 mm  
and flange thickness of 2 to 4 mm.  
For a carrier plate with a hole diameter of  
4.4  $\pm$ 0.15 mm and plate thickness of 1 to 2 mm.

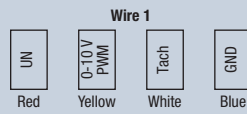


# Connection diagrams EC

## E)

### Technical features (nominal voltage 24 / 48 VDC):

- Tach output
- Motor current limitation
- Soft start
- Control input 0-10 VDC / PWM
- Overvoltage detection
- Thermal overload protection for electronics
- Reverse polarity protection



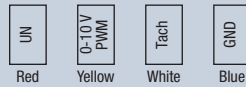
Wire	Designation	Color	Assignment/function
1	UN +24 VDC	Red	Power supply 24 VDC, supply voltage ripple $\pm 3.5\%$
	0-10V /PWM	Yellow	Control input $R_e > 40\text{ K}$
	Tach	White	Tach output, 3 pulses per revolution, $I_{\text{sink max.}} = 10\text{ mA}$
	GND	Blue	Reference ground

# Connection diagrams EC G)

**Technical features** (nominal voltage 24 / 48 VDC):

- Tach output
- Soft start
- Control input 0-10 VDC / PWM

Wire 1



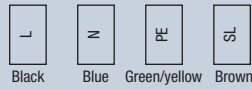
Wire	Designation	Color	Assignment/function
1	UN +24 VDC	Red	Power supply 24/48 VDC, supply voltage ripple $\pm 3.5\%$
	1-10V /PWM	Yellow	Control input $R_e > 100\text{ K}$
	Tach	White	Tach output: 2 pulses/revolution (M1G045/M1G055) 3 pulses/revolution (M1G074/M1G084)
	GND	Blue	Reference ground

# Connection diagrams EC H3)

## Technical features (M3G 055 with 2 speed stages):

- Speed setting input (230V)
- Power limitation
- Motor current limitation
- Soft start
- Thermal overload protection for electronics / motor
- Line undervoltage detection

Wire 1



Wire	Designation	Color	Assignment/function
1	L	Black	Power supply 230 VAC, 50 - 60 Hz, see type plate for voltage range
	N	Blue	Neutral conductor
	PE	Green/yellow	Ground conductor
	SL	Brown	Speed selection: switch open = speed 1; switch closed = speed 2

# Connection diagrams EC H4)

## Technical features (M3G 055 speed-controlled):

- Output 10 VDC max. 1.1 mA
- Tach output
- Power limitation
- Motor current limitation
- Soft start
- Control input 0-10 VDC / PWM
- Control interface with SELV potential safely disconnected from the mains
- Overvoltage detection
- Thermal overload protection for electronics / motor
- Line undervoltage detection



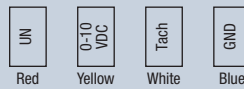
Wire	Designation	Color	Assignment/function
1	L	Black	Power supply 115/230 VAC, 50 - 60 Hz, see type plate for voltage range
	N	Blue	Neutral conductor
	PE	Green/yellow	Ground conductor
2	GND	Blue	GND - Connection for control interface
	0-10 V PWM	Yellow	Control input 0-10 V or PWM, electrically isolated
	10 V/max. 1,1 mA	Red	Voltage output +10 V / 1.1 mA, electrically isolated, not short-circuit-proof
	Tach	White	Tach output: Open collector, 1 pulse per revolution, electrically isolated

# Connection diagrams EC J5)

## Technical features (nominal voltage 24 / 48 VDC):

- Control input 0-10 VDC / PWM
- Output 10 VDC max. 1.1 mA
- Power limitation
- Soft start
- Motor current limitation
- Tach output
- Thermal overload protection for electronics / motor
- Overvoltage detection
- Line undervoltage detection
- Control interface with SELV potential safely disconnected from the mains

Wire 1



Wire	Designation	Color	Assignment/function
1	UN +24/48 VDC	Red	Power supply 24/48 VDC, supply voltage ripple $\pm 3.5\%$
	0-10 VDC	Yellow	Control input $R_e > 100\text{ K}$
	Tach	White	Tach output, 3 pulses per revolution, $I_{\text{sink max.}} = 10\text{ mA}$
	GND	Blue	Reference ground

# Connection diagrams EC

## Q)

### Technical features:

- Tach output
- Motor current limitation
- Soft start
- Control input 0-10 VDC / PWM
- Overvoltage detection
- Thermal overload protection for electronics
- Reverse polarity protection

Wire 1



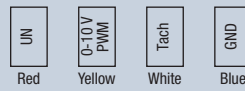
Wire	Designation	Color	Assignment/function
1	UN +12/24 VDC	Red	Power supply 12/24 VDC, supply voltage ripple $\pm 3.5\%$
	PWM/LIN	Yellow	Control input $R_e > 40\text{ K}$
	Tach	White	Tach output, 3 pulses per revolution, $I_{\text{sink max.}} = 10\text{ mA}$
	GND	Blue	Reference ground

# Connection diagrams EC R)

## Technical features:

- Tach output
- Motor current limitation
- Soft start
- Control input 0-10 VDC / PWM
- Overvoltage detection
- Thermal overload protection for electronics
- Reverse polarity protection

Wire 1

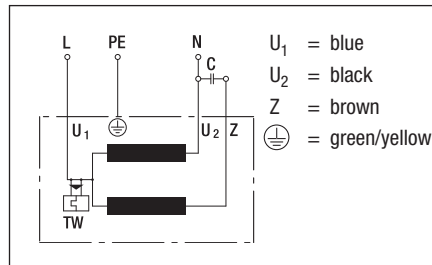


Wire	Designation	Color	Assignment/function
1	UN +48 VDC	Red	Power supply 48 VDC, supply voltage ripple $\pm 3.5\%$
	0-10V /PWM	Yellow	Control input $R_e > 100\text{ K}$
	Tach	White	Tach output, 3 pulses per revolution, $I_{\text{sink max.}} = 10\text{ mA}$
	GND	Blue	Reference ground

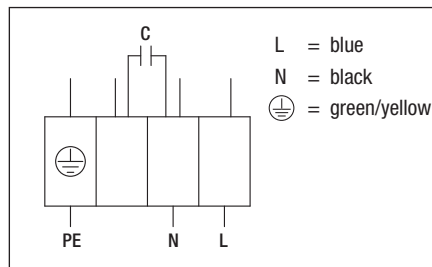
# Connection diagrams AC

## A1) / A3) / C2)

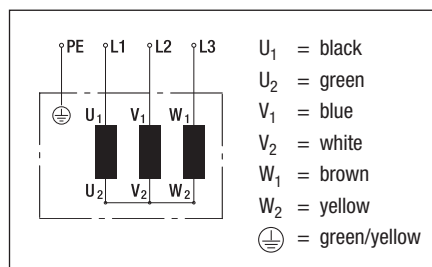
### A1) Single-phase capacitor motor (1~ 115/230 VAC power line) with thermal overload protector wired internally



### A3) Single-phase capacitor motor (1~ 115/230 VAC power line) with thermal overload protector wired internally



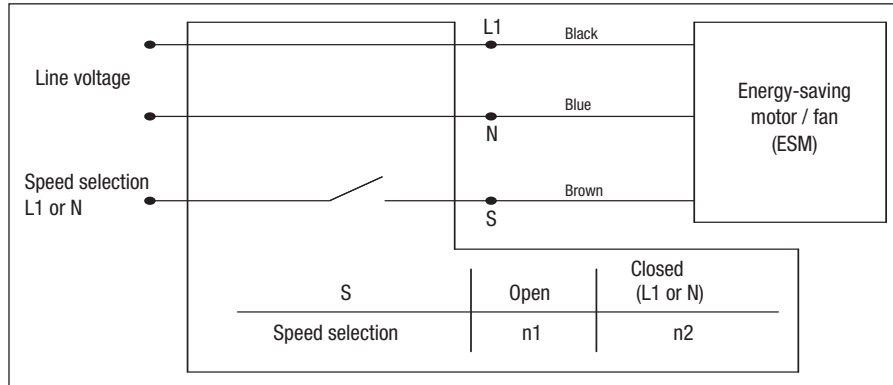
### C2) Star connection (3~ 400 VAC power line) without thermal overload protector





# Connection diagrams AC J7)

**J7) Energy-saving motor (ESM) (1~ 115/230 VAC power line)**



# ebm-papst in Germany

## ebm-papst Mulfingen GmbH & Co. KG

Bachmühle 2  
74673 Mulfingen  
GERMANY  
Phone +49 7938 81-0  
Fax +49 7938 81-110  
info1@de.ebmpapst.com

## ebm-papst St. Georgen GmbH & Co. KG




Hermann-Papst-Straße 1  
78112 St. Georgen  
GERMANY  
Phone +49 7724 81-0  
Fax +49 7724 81-1309  
info2@de.ebmpapst.com

## ebm-papst Landshut GmbH

Hofmark-Aich-Straße 25  
84030 Landshut  
GERMANY  
Phone +49 871 707-0  
Fax +49 871 707-465  
info3@de.ebmpapst.com

 **Berlin**  
 Dipl.-Ing. (TH) Jens Duchow  
Händelstraße 7  
 16341 Panketal  
GERMANY  
Phone +49 30 944149-62  
Fax +49 30 944149-63  
Jens.Duchow@de.ebmpapst.com




 **Bielefeld**  
 Dipl.-Ing. (FH) Wolf-Jürgen Weber  
Niehausweg 13  
 33739 Bielefeld  
GERMANY  
Phone +49 5206 91732-31  
Fax +49 5206 91732-35  
Wolf-Juergen.Weber@de.ebmpapst.com

 **Dortmund**  
 Dipl.-Ing. (FH) Hans-Joachim Pundt  
Auf den Steinern 3  
 59519 Möhnesee-Völlinghausen  
GERMANY  
Phone +49 2925 800-407  
Fax +49 2925 800-408  
Hans-Joachim.Pundt@de.ebmpapst.com

 **Frankfurt**  
 Dipl.-Ing. Christian Kleffmann  
Dr.-Hermann-Krause-Straße 23  
 63452 Hanau  
GERMANY  
Phone +49 6181 1898-12  
Fax +49 6181 1898-13  
Christian.Kleffmann@de.ebmpapst.com

 **Halle**  
 Dipl.-Ing. (TU) Michael Hanning  
Lercheneck 4  
 06198 Salzdahl / OT Lieskau  
GERMANY  
Phone +49 345 55124-56  
Fax +49 345 55124-57  
Michael.Hanning@de.ebmpapst.com

 **Hamburg**  
 Ingenieurbüro Breuell GmbH  
Ing. Dirk Kahl  
 Elektroingenieur  
Oststraße 96  
22844 Norderstedt  
GERMANY  
Phone +49 40 538092-19  
Fax +49 40 538092-84  
Kahl@breuell-hilgenfeldt.de

 **Heilbronn / Heidelberg**  
 Wolfgang Richter  
Büttelsbergweg 18  
 97980 Bad Mergentheim-Rengershausen  
GERMANY  
Phone +49 7937 32200-33  
Fax +49 7938 81-110  
Wolfgang.Richter@de.ebmpapst.com

 **Kassel**  
 Dipl.-Ing. (FH) Ralph Brück  
Hoherainstraße 3 b  
 35075 Gladenbach  
GERMANY  
Phone +49 6462 4071-10  
Fax +49 6462 4071-11  
Ralph.Brueck@de.ebmpapst.com

 **Koblentz**  
 Winfried Schaefer  
Hinter der Kirch 10  
 56767 Uersfeld  
GERMANY  
Phone +49 2657 16-96  
Fax +49 2657 16-76  
Winfried.Schaefer@de.ebmpapst.com

 **Munich**  
 Dipl.-Wirt.-Ing. (FH) Jens Peter  
Landsbergerstraße 14  
 86932 Pürgen  
GERMANY  
Phone +49 7971 91909-49  
Fax +49 7971 91909-51  
Jens.Peter@de.ebmpapst.com

 **Nuremberg**  
 Dipl.-Wirt.-Ing. (FH) Axel Resch  
Dr.-August-Koch-Str. 1  
 91639 Wolframs-Eschenbach  
GERMANY  
Phone +49 9875 9783-170  
Fax +49 9875 9783-171  
Axel.Resch@de.ebmpapst.com

 **Offenburg**  
 Dipl.-Ing. (FH) Ralf Braun  
Hubeneck 21  
 77704 Oberkirch  
GERMANY  
Phone +49 7802 9822-52  
Fax +49 7802 9822-53  
Ralf.Braun@de.ebmpapst.com

 **Stuttgart**  
 Dipl.-Ing. (FH) Rudi Weinmann  
Hindenburgstraße 100/1  
 73207 Plochingen  
GERMANY  
Phone +49 7153 9289-80  
Fax +49 7153 9289-81  
Rudi.Weinmann@de.ebmpapst.com

 **Ulm**  
 M.Sc. Reinhard Sommerreißer  
Einsteinstraße 7a  
 86674 Baar / Schwaben  
GERMANY  
Phone +49 8276 5899-775  
Fax +49 8276 5899-776  
Reinhard.Sommerreisser@de.ebmpapst.com

## Distributors

 **Frankfurt / Neu-Isenburg**  
Arrow Central Europe GmbH  
Frankfurter Straße 211  
63263 Neu-Isenburg  
GERMANY  
Phone +49(0)6102/5030-0  
Fax +49(0)6102/5030-8455  
E-Mail: info@arrowce.com

 **Gerlingen**  
Scheffel  
elektrotechnischer Vertrieb GmbH  
Aischbach 1  
70839 Gerlingen  
GERMANY  
Phone +49 7156 28357  
Fax +49 7156 49425  
info@ebmpapst-service.de

 **Hirschau**  
Conrad Electronic SE  
Klaus-Conrad-Str. 1  
92240 Hirschau  
GERMANY  
Phone +49 9622 300  
Fax +49 180 5 312110  
kundenservice@conrad.de  
www.conrad.de

 **Hamburg**  
 Breuell + Hilgenfeldt GmbH  
Oststraße 96  
 22844 Norderstedt  
GERMANY  
Phone +49 40 538092-20  
Fax +49 40 538092-84  
info@breuell-hilgenfeldt.de

 **Klausdorf**  
ETB Electronic Team  
Beratungs- u. Vertriebs GmbH  
Zossener Straße 27  
15838 Klausdorf  
GERMANY  
Phone +49 33703 69-0  
Fax +49 33703 69-149  
info@etb-electronic.de  
www.etb-electronic.de

# ebm-papst in Europe



 **Munich**  
 A. Schweiger GmbH  
 Ohmstraße 1  
 82054 Sauerlach  
 GERMANY  
 Phone +49 8104 897-0  
 Fax +49 8104 897-90  
 info@schweiger-gmbh.de  
 www.schweiger-gmbh.com

 Bürklin GmbH & Co.KG  
 Grünwalder Weg 30  
 82041 Oberhaching  
 GERMANY  
 Phone +49 89/55875-0  
 Fax +49 89/55875-421  
 info@buerklin.com  
 www.buerklin.com

 Multi-Bauelemente-Service  
 Vertrieb von elektr. Bauelementen GmbH  
 Römerstraße 8  
 85661 Forstinning  
 GERMANY  
 Phone +49 8121 2506-0  
 Fax +49 8121 2506-200  
 multi.bauelemente@mbs.to

● **Express Service-Center** (1 to 5 pieces)

**North**  
 Breuell + Hilgenfeldt GmbH  
 Oststraße 96  
 22844 Norderstedt  
 GERMANY  
 Phone +49 40 538092-20  
 Fax +49 40 538092-84  
 info@breuell-hilgenfeldt.de

**South**  
 Scheffel  
 elektrotechnischer Vertrieb GmbH  
 Aischbach 1  
 70839 Gerlingen  
 GERMANY  
 Phone +49 7156 28357  
 Fax +49 7156 49425  
 info@ebmpapst-service.de

 HDS Ventilatoren Vertriebs GmbH  
 Glaswiesenstraße 1  
 74677 Dörzbach  
 GERMANY  
 Phone +49 7937 80355-0  
 Fax +49 7937 80355-25  
 info@hds-gmbh.net  
 www.hds-gmbh.net

## Europe

 **Austria**  
 ebm-papst Motoren & Ventilatoren GmbH  
 Straubingstraße 17  
 4030 Linz  
 AUSTRIA  
 Phone +43 732 321150-0  
 Fax +43 732 321150-20  
 info@at.ebmpapst.com  
 www.ebmpapst.at

 Avnet Abacus Vienna  
 Schönbrunner Str. 297-307  
 1120 Vienna  
 AUSTRIA  
 Phone +43 1 86642-0  
 Fax +43 1 86642-250  
 wien@avnet-abacus.eu  
 www.avnet-abacus.eu

 **Belarus**  
 ebm-papst Bel AgmbH  
 4th Montazhnikov side street  
 Office 332  
 223010 Minsk  
 BELARUS  
 Phone +375 17 3851556  
 Fax +375 17 3851556  
 info@by.ebmpapst.com  
 www.ebmpapst.by

 **Belgium**  
 ebm-papst Benelux B.V.  
 Sales office Belgium-Luxemburg  
 Romeinsestraat 6/0101  
 Research Park Haasrode  
 3001 Heverlee-Leuven  
 BELGIUM  
 Phone +32 16 396-200  
 Fax +32 16 396-220  
 info@be.ebmpapst.com  
 www.ebmpapst.be

 Avnet Abacus Diegem  
 Eagle Building  
 Kouterveldstraat 20  
 1831 Diegem  
 BELGIUM  
 Phone +32 2 7099 167  
 Fax +32 2 7099 801  
 diegem@avnet-abacus.eu  
 www.avnet-abacus.eu

 **Bulgaria**  
 ebm-papst Romania S.R.L.  
 Str. Tarnavei No. 20  
 500327 Brasov  
 ROMANIA  
 Phone +40 268 331859  
 Fax +40 268 312805  
 dudasludovic@xnet.ro

 **Croatia**  
 ebm-papst Industries Kft.  
 Ezred u. 2.  
 1044 Budapest  
 HUNGARY  
 Phone +36 1 8722-190  
 Fax +36 1 8722-194  
 office@hu.ebmpapst.com

 **Czech Republic / Slovakia**  
 ebm-papst CZ s.r.o.  
 Kaštanová 34a  
 620 00 Brno  
 CZECH REPUBLIC  
 Phone +420 544 502-411  
 Fax +420 547 232-622  
 info@ebmpapst.cz  
 www.ebmpapst.cz

 **Denmark**  
 ebm-papst Denmark ApS  
 Vallensbækvej 21  
 2605 Brøndby  
 DENMARK  
 Phone +45 43 631111  
 Fax +45 43 630505  
 mail@dk.ebmpapst.com  
 www.ebmpapst.dk

 **Estonia**  
 ebm-papst Oy, Eesti Filiaal  
 Kesk tee 13  
 Aaviku küla, Jüri Tehnopol  
 75301 Rae Vald, Harjumaa  
 ESTONIA  
 Phone +372 65569-78  
 Fax +372 65569-79  
 www.ebmpapst.ee

 **Finland**  
 ebm-papst Oy  
 Puistotie 1  
 02760 Espoo  
 FINLAND  
 Phone +358 9 887022-0  
 Fax +358 9 887022-13  
 mailbox@ebmpapst.fi  
 www.ebmpapst.fi


 **France**  
 ebm-papst sarl  
 Parc d'Activités Nord  
 BP 62  
 67212 Obernai Cedex  
 FRANCE  
 Phone +33 820 326266  
 Fax +33 3 88673883  
 info@ebmpapst.fr  
 www.ebmpapst.fr

# ebmpapst in Europe



 **Greece**  
 Helcoma  
 Th. Rotas & Co OE  
 Davaki 65  
 17672 Kallithea-Attiki  
 GREECE  
 Phone +30 210 9513-705  
 Fax +30 210 9513-490  
 contact@helcoma.gr  
 www.helcoma.gr

 Assimacopoulos S.A.  
 11, Karitsi Square  
 10561 Athen  
 GREECE  
 Phone +30 10 322 1737  
 Fax +30 10 322 5708  
 assimac@interagora.gr  
 www.assimacopoulos.gr

 **Hungary**  
 ebm-papst Industries Kft.  
 Ezred u. 2.  
 1044 Budapest  
 HUNGARY  
 Phone +36 1 8722-190  
 Fax +36 1 8722-194  
 office@hu.ebmpapst.com

 **Iceland**  
 R.J Engineers  
 Stangarhyl 1a  
 110 Reykjavik  
 ICELAND  
 Phone +354 567 8030  
 Fax +354 567 8015  
 rj@rj.is  
 www.rj.is

 **Ireland**  
 ebm-papst UK Ltd.  
 Chelmsford Business Park  
 Chelmsford Essex CM2 5EZ  
 UNITED KINGDOM  
 Phone +44 1245 468555  
 Fax +44 1245 466336  
 sales@uk.ebmpapst.com  
 www.ebmpapst.co.uk


 **AuBren Limited**  
 Portlaoise Business & Technology Park  
 Mountrath Road  
 Portlaoise, Co. Laois  
 IRELAND  
 Phone +353 57 8664343  
 Fax +353 57 8664346  
 sales@ie.aubren.com  
 www.aubren.com

 **Italy**  
 ebm-papst Srl  
 Via Cornaggia 108  
 22076 Mozzate (Co)  
 ITALY  
 Phone +39 0331 836201  
 Fax +39 0331 821510  
 info@it.ebmpapst.com  
 www.ebmpapst.it

 **Macedonia**  
 ebm-papst Industries Kft.  
 Ezred u. 2.  
 1044 Budapest  
 HUNGARY  
 Phone +36 1 8722-190  
 Fax +36 1 8722-194  
 office@hu.ebmpapst.com

 **Netherlands**  
 ebm-papst Benelux B.V.  
 Polbeemd 7 - 5741 TP Beek en Donk  
 P. O. Box 140 - 5740 AC Beek en Donk  
 NETHERLANDS  
 Phone +31 492 502-900  
 Fax +31 492 502-950  
 verkoop@nl.ebmpapst.com  
 www.ebmpapst.nl

 Avnet Abacus Netherlands  
 Takkebijsters 2  
 4817 BL Breda  
 NETHERLANDS  
 Phone +31 765 722 300  
 Fax +31 765 722 303  
 breda@avnet-abacus.eu  
 www.avnet-abacus.eu

 **Norway**  
 ebm-papst AS  
 P. B. 173 Holmlia  
 1251 Oslo  
 NORWAY  
 Phone +47 22 763340  
 Fax +47 22 619173  
 mailbox@ebmpapst.no  
 www.ebmpapst.no

 **Poland**  
 ebm-papst Polska Sp. z o.o.  
 ul. Annopol 4A  
 03236 Warszawa  
 POLAND  
 Phone +48 22 6757819  
 Fax +48 22 6769587  
 office@ebmpapst.pl  
 www.ebmpapst.pl

 **Portugal**  
 ebm-papst (Portugal), Lda.  
 Centro Empresarial de Alverca  
 Rua de Adarse, Vale D'Ervas  
 Corpo D / Fracção 3  
 2615-178 Alverca do Ribatejo  
 PORTUGAL  
 Phone +351 218 394 880  
 Fax +351 218 394 759  
 info@pt.ebmpapst.com  
 www.ebmpapst.pt

 **Romania**  
 ebm-papst Romania S.R.L.  
 Str. Tarnavei No. 20  
 500327 Brasov  
 ROMANIA  
 Phone +40 268 331859  
 Fax +40 268 312805  
 dudasludovic@xnet.ro

 **Russia**  
 ebm-papst Rus GmbH  
 Olimpiyskiy prospect 291, office 418  
 141006 Mytistschi, Oblast Moskau  
 RUSSIA  
 Phone +7 495 9807524  
 Fax +7 495 5140924  
 info@ebmpapst.ru  
 www.ebmpapst.ru

 ebm-papst Ural GmbH  
 Posadskaja-Strasse, 23(E), 3  
 620102 Ekaterinburg  
 RUSSIA  
 Phone +7 343 2338000  
 Fax +7 343 2337788  
 Konstantin.Molokov@ru.ebmpapst.com  
 www.ebmpapst.ur.ru

 **Serbia & Montenegro**  
 ebm-papst Industries Kft.  
 Ezred u. 2.  
 1044 Budapest  
 HUNGARY  
 Phone +36 1 8722-190  
 Fax +36 1 8722-194  
 office@hu.ebmpapst.com

 **Spain**  
 ebm-papst Ibérica S.L.  
 Avda. del Sistema Solar, 29  
 28830 San Fernando de Henares (Madrid)  
 SPAIN  
 Phone +34 91 6780894  
 Fax +34 91 6781530  
 ventas@ebmpapst.es  
 www.ebmpapst.es


# ebm-papst in Europe, the Americas and Africa

 **Sweden**  
ebm-papst AB  
Äggelundavägen 2  
17562 Järfälla  
SWEDEN  
Phone +46 10 4544400  
Fax +46 8 362306  
info@ebmpapst.se  
www.ebmpapst.se

 **Switzerland**  
ebm-papst AG  
Rütisbergstrasse 1  
8156 Oberhasli  
SWITZERLAND  
Phone +41 44 73220-70  
Fax +41 44 73220-77  
verkauf@ebmpapst.ch  
www.ebmpapst.ch

 **Omni Ray AG**  
Im Schörl 5  
8600 Dübendorf  
SWITZERLAND  
Phone +41 44 802 2880  
Fax +41 44 802 2828  
r.borner@omniray.ch  
www.omniray.ch

 **Turkey**  
Akantel Elektronik San. Tic. LTD. Sti.  
Atatürk Organize Sanayi  
Bölgesi 10007 SK. No.:6  
35620 Cigli-Izmir  
TURKEY  
Phone +90 232 3282090  
Fax +90 232 3280270  
akantel@akantel.com.tr  
www.ebmpapst.com.tr

 **Ukraine**  
ebm-papst Ukraine LLC  
Lepse Boulevard, 4, Building 21  
03067 Kiev  
UKRAINE  
Phone +38 044 2063091  
Fax +38 044 2063091  
mail@ebmpapst.ua  
www.ebmpapst.ua

 **United Kingdom**  
ebm-papst UK Ltd.  
Chelmsford Business Park  
Chelmsford Essex CM2 5EZ  
UNITED KINGDOM  
Phone +44 1245 468555  
Fax +44 1245 466336  
sales@uk.ebmpapst.com  
www.ebmpapst.co.uk

## The Americas

 **Argentina**  
ebm-papst de Argentina S.A.  
Parque Industrial Canning Etapa II - Nave 61A  
Perito Moreno 845, Canning (1804), Buenos Aires  
ARGENTINA  
Phone +54 11 46576135  
Fax +54 11 46572092  
ventas@ar.ebmpapst.com  
www.ebmpapst.com.ar


 **Brazil**  
ebm-papst Motores Ventiladores Ltda.  
Av. José Giorgi, 301 Galpões B6+B7  
Condominio Logical Center  
06707-100 Cotia - São Paulo  
BRAZIL  
Phone +55 11 4613-8700  
Fax +55 11 4777-1456  
vendas@br.ebmpapst.com  
www.ebmpapst.com.br

 **Canada**  
ebm-papst Canada Inc.  
1800 Ironstone Manor, Unit 2  
Pickering, Ontario, L1W3J9  
CANADA  
Phone +1 905 420-3533  
Fax +1 905 420-3772  
sales@ca.ebmpapst.com  
www.ebmpapst.ca

 **Mexico**  
ebm Industrial S. de R.L. de C.V.  
Paseo de Tamarindos 400-A-5<sup>o</sup> Piso  
Col. Bosques de las Lomas  
Mexico 05120, D.F.  
MEXICO  
Phone +52 55 3300-5144  
Fax +52 55 3300-5243  
sales@mx.ebmpapst.com  
www.ebmpapst.com.mx

 **USA**  
ebm-papst Inc.  
P.O. Box 4009  
100 Hyde Road  
Farmington, CT 06034  
UNITED STATES  
Phone +1 860 674-1515  
Fax +1 860 674-8536  
sales@us.ebmpapst.com  
www.ebmpapst.us

## Africa

 **South Africa**  
ebm-papst South Africa (Pty) Ltd.  
P.O. Box 3124  
1119 Yacht Avenue  
2040 Honeydew  
SOUTH AFRICA  
Phone +27 11 794-3434  
Fax +27 11 794-5020  
info@za.ebmpapst.com  
www.ebmpapst.co.za

# ebm-papst in Asia and Oceania



## Asia



### China

ebm-papst Ventilator (Shanghai) Co., Ltd.  
 No. 418, Hua Jing Road  
 Wai Gao Qiao Free Trade Zone  
 No. 2001, Yang Gao (N) Road  
 200131 Shanghai  
 P.R. of CHINA  
 Phone +86 21 5046-0183  
 Fax +86 21 5046-1119  
 sales@cn.ebmpapst.com  
 www.ebmpapst.com.cn



### Hong Kong

ebm-papst Hong Kong Ltd.  
 Room 17E, MG Tower  
 133 Hoi Bun Road, Kwun Tong  
 Hong Kong  
 P.R. of CHINA  
 Phone +852 2145-8678  
 Fax +852 2145-7678  
 info@hk.ebmpapst.com



### India

ebm-papst India Pvt. Ltd.  
 26/3, G.N.T. Road, Erukkencherry  
 Chennai-600118  
 INDIA  
 Phone +91 44 25372556  
 Fax +91 44 25371149  
 sales@in.ebmpapst.com  
 www.ebmpapst.in



### Indonesia

ebm-papst Indonesia  
 Representative Office  
 German Centre, 4th Floor, Suite 4470  
 Jl. Kapt. Subijono Dj. Bumi Serpong Damai  
 15321 Tangerang  
 INDONESIA  
 Phone +62 21 5376250  
 Fax +62 21 5388305  
 salesdept@id.ebmpapst.com



### Israel

Polak Bros. Import Agencies Ltd.  
 9 Hamefalsim Street  
 Kiryat Arie, Petach-Tikva 49514  
 ISRAEL  
 Phone +972 3 9100300  
 Fax +972 3 5796679  
 polak@polak.co.il  
 www.polak.co.il



AVNET Components Israel LTD  
 P.O.Box 48 Tel-Mond 4065001  
 ISRAEL  
 Phone +972 9 7780280  
 Fax +972 3 760 1115  
 Avnet.Israel@avnet.com



### Japan

ebm-papst Japan K.K.  
 Attend on Tower 13F  
 Shinyokohama 2-8-12, Kohoku-ku  
 222-0033 Yokohama-City, Kanagawa  
 JAPAN  
 Phone +81 45 47057-51  
 Fax +81 45 47057-52  
 info@jp.ebmpapst.com  
 www.ebmpapst.jp



### Korea

ebm-papst Korea Co. Ltd.  
 6F, Trutech Bldg.  
 12, WorldCupbuk-ro 56-gil  
 Mapo-Gu  
 Seoul 03924  
 KOREA  
 Phone +82 2 366213-24  
 Fax +82 2 366213-26  
 info@kr.ebmpapst.com  
 www.ebmpapst.co.kr



### Malaysia

ebm-papst Malaysia  
 Representative Office  
 No. 16-1, Jalan Putra Mahkota 7/5A  
 Persiaran Subang, Selangor Darul Ehsan  
 47600 Subang Jaya  
 MALAYSIA  
 Phone +60 3 5192 7688  
 Fax +60 3 5614 3078  
 salesdept@my.ebmpapst.com



### Philippines

ebm-papst SEA Pte. Ltd.  
 Representative Office  
 Coherco Financial Tower  
 Trade Street Corner Investment Drive  
 Unit 1101 Madrigal Business Park  
 1799 Ayala Alabang / Muntinlupa City  
 PHILIPPINES  
 Phone +63 02 8042747  
 Fax +63 02 8042757  
 sales@ph.ebmpapst.com



### Singapore

ebm-papst SEA Pte. Ltd.  
 9 Tai Seng Drive  
 #03-01 Geo-Tele Centre, Lobby B  
 Singapore 535227  
 SINGAPORE  
 Phone +65 65513789  
 Fax +65 68428439  
 salesdept@sg.ebmpapst.com



### Taiwan

ETECO Engineering & Trading Corp.  
 10F-I, No. 92, Teh-Wei Str.  
 Tsow-Inn District, Kaohsiung

### TAIWAN

Phone +886 7 557-4268  
 Fax +886 7 557-2788  
 eteco@ms22.hinet.net  
 www.ebmpapst.com.tw



### Thailand

ebm-papst Thailand Co., Ltd.  
 99/9 Moo 2, Central Chaengwattana Tower  
 14th Floor, Room 1402  
 Chaengwattana Road Bangtarad, Pakkret  
 11120 Nonthaburi  
 THAILAND  
 Phone +66 2 8353785-7  
 Fax +66 2 8353788  
 salesdept@th.ebmpapst.com



### United Arab Emirates

ebm-papst Middle East FZE  
 PO Box 17755  
 Jebel Ali Free Zone / FZS1 / AP05  
 Dubai  
 UNITED ARAB EMIRATES  
 Phone +971 4 88608-26  
 Fax +971 4 88608-27  
 info@ae.ebmpapst.com  
 www.ebmpapst.ae



### Vietnam

ebm-papst SEA Pte. Ltd.  
 Representative Office  
 Floor M, Phuong Long Building  
 506 Nguyen Dinh Chieu Street, Ward 4, District 3  
 Ho Chi Minh City  
 VIETNAM  
 Phone +84 28 3929 0699 / 3929 0670  
 Fax +84 28 3929 0669  
 linh.nguyen@vn.ebmpapst.com

## Oceania



### Australia

ebm-papst A&NZ Pty Ltd.  
 10 Oxford Road  
 Laverton North, Victoria, 3026  
 AUSTRALIA  
 Phone +61 3 9360-6400  
 Fax +61 3 9360-6464  
 sales@ebmpapst.com.au  
 www.ebmpapst.com.au



### New Zealand

ebm-papst A&NZ Pty Ltd.  
 Unit H, 61 Hugo Johnston Drive  
 1061 Penrose, Auckland  
 NEW ZEALAND  
 PO Box 112278, 1642 Penrose, Auckland  
 Phone +64 9 525-0245  
 Fax +64 9 525-0246  
 sales@ebmpapst.com.au  
 www.ebmpapst.com.au



**ebmpapst**

the engineer's choice

**ebm-papst**  
**St. Georgen GmbH & Co. KG**

Hermann-Papst-Straße 1  
D-78112 St. Georgen  
Germany  
Phone +49 7724 81-0  
Fax +49 7724 81-1309  
info2@de.ebmpapst.com

**ebm-papst**  
**Mulfingen GmbH & Co. KG**

Bachmühle 2  
D-74673 Mulfingen  
Germany  
Phone +49 7938 81-0  
Fax +49 7938 81-110  
info1@de.ebmpapst.com

**ebm-papst**  
**Landshut GmbH**

Hofmark-Aich-Straße 25  
D-84030 Landshut  
Germany  
Phone +49 871 707-0  
Fax +49 871 707-465  
info3@de.ebmpapst.com



## X-ON Electronics

Largest Supplier of Electrical and Electronic Components

*Click to view similar products for [DC Fans](#) category:*

*Click to view products by [ebm papst](#) manufacturer:*

Other Similar products are found below :

[614R](#) [6424/2HP-210](#) [8312R](#) [DV4118/2NP-183](#) [AFB0948HH-S687](#) [PFB0824DHE-8B72](#) [G2E085-AA05-10](#) [RD20S-4/210660](#) [4318/12T](#)  
[4418HH](#) [AUB0912H-F00](#) [3412N/2ME](#) [K2E225-RA92-09](#) [4184N/2XR](#) [5214N2HH](#) [614J2HHPR-010](#) [8412NGL-12](#) [4114N/12HHR-297](#)  
[4656](#) [ZWR-903](#) [4112N12GL-175](#) [KD2406PKB2.\(2\).GN](#) [AFB1248HHE](#) [AFB1212LE-F00](#) [FAN-SCH-1](#) [MF60151V1-1000U-G99](#)  
[PF80252V1-1000U-G99](#) [PF92252V1-1000U-G99](#) [4112N/2H6P](#) [4114N/17-251](#) [6212NH](#) [622/2N](#) [712F-011](#) [8218J/2NP-181](#) [W1G180-AB47-](#)  
[15](#) [FAA1-12038NBKW31-A](#) [6318N/2TDP](#) [6318N/2H3PU](#) [6318HU](#) [424JMU](#) [PMD1206PTVX-A.U.GN](#) [PF80251B2-000U-F99](#)  
[EF40101BX-1000U-G99](#) [AD1224LB-A71GL](#) [9GA0924L4021](#) [9GA0924M4021](#) [9GA0924M4011](#) [9GA0824B20011](#) [9GA0812A2D0011](#)  
[9GA0912M4D011](#) [9GA0924W4D01](#)