

max. 480 m<sup>3</sup>/h

# DC Axial Fans

Series 6200 N 172 Ø x 51 mm



### Highlights:

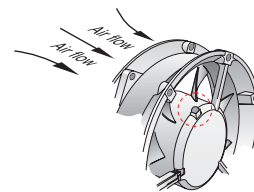
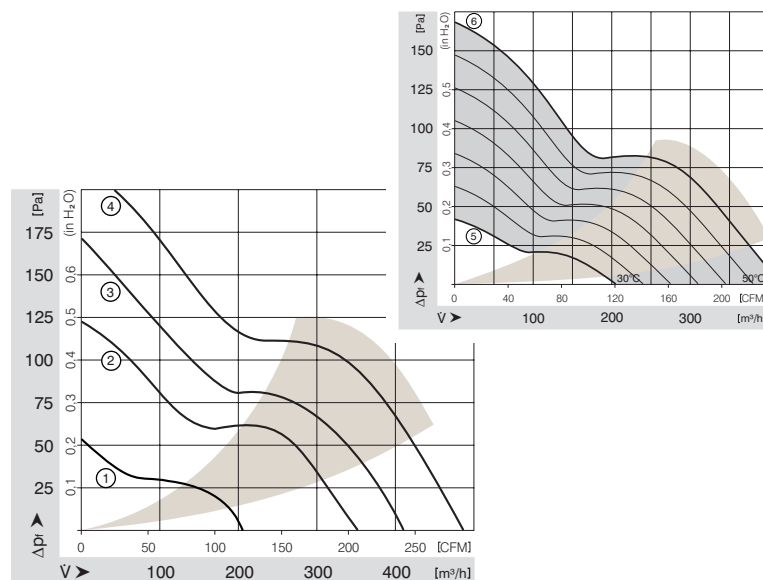
- VARIOFAN models available with external temperature sensor.
- Optional Vario-Pro: Highly adaptable software configuration of the fan enables a tailor-made solution to the specific requirements of your applications.

### General characteristics:

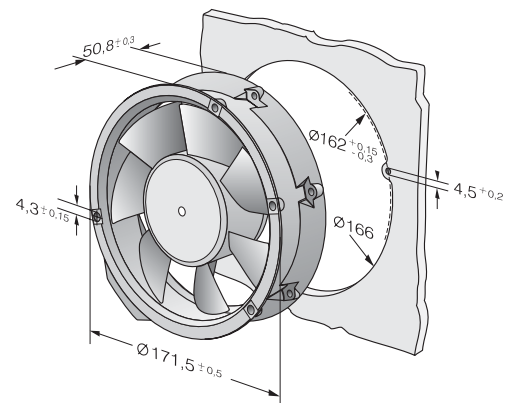
- Material: aluminium housing, fiberglass-reinforced PA impeller; housing with grounding lug for screw M4 x 8 (Torx). 48 V version incl. screws.
- Fully integrated electronic commutation.
- Protected against reverse polarity and blocking.
- Electrical connection with flat pin terminals 3 x 0.5 mm. Optional: Version with leads.
- Blowing over struts. Rotational direction CCW looking at rotor.
- Mass: 820 g.

| Nominal Data  |         | Air Flow          | Air Flow | Nominal Voltage | Voltage Range | Noise | Sound Power | Sinter-Sleeve Bearings<br>Ball Bearings | Power Input | Nominal Speed     | Temperature Range | Service Life L <sub>10</sub> (40 °C)<br>ebm-papst Standard | Service Life L <sub>10</sub> (T <sub>max</sub> )<br>ebm-papst Standard | Life expectancy<br>L <sub>10</sub> (Δ 40 °C) | Curve   | Specials |
|---|---------|-------------------|----------|-----------------|---------------|-------|-------------|---|-------------|-------------------|-------------------|--|--|--|---------|----------|
| Type  |         | m <sup>3</sup> /h | CFM      | V DC            | V DC          | dB(A) | Bel         | □/■                                     | Watt        | min <sup>-1</sup> | °C                | Hours  | Hours  | Hours  |         |          |
| 6212 NM   |         | 350               | 206.0    | 12              | 8...15        | 50    | 5.7         | ■                                       | 12.0        | 2 850             | -20...+72         | 80 000 / 37 500  | 157 500  | 2  |         |          |
| 6224 NM   |         | 350               | 206.0    | 24              | 12...32       | 50    | 5.7         | ■                                       | 12.0        | 2 850             | -20...+72         | 80 000 / 37 500  | 157 500  | 2  | /12     |          |
| 6224 N  |         | 410               | 241.3    | 24              | 12...28       | 55    | 6.1         | ■                                       | 18.0        | 3 400             | -20...+72         | 75 000 / 35 000  | 125 000  | 3  | 2/12/19 |          |
| 6224 NH   |         | 480               | 282.5    | 24              | 12...28       | 61    | 6.9         | ■                                       | 26.0        | 4 000             | -20...+55*        | 70 000 / 50 000  | 110 000  | 4  |         |          |
| 6248 NL   |         | 205               | 120.7    | 48              | 28...60       | 35    | 4.5         | ■                                       | 4.0         | 1 700             | -20...+72         | 86 000 / 40 000  | 167 500  | 1  |         |          |
| 6248 NM   |         | 350               | 206.0    | 48              | 28...60       | 50    | 5.7         | ■                                       | 11.5        | 2 850             | -20...+72         | 80 000 / 37 500  | 157 500  | 2  |         |          |
| 6248 N  |         | 410               | 241.3    | 48              | 28...60       | 55    | 6.1         | ■                                       | 17.0        | 3 400             | -20...+72         | 75 000 / 35 000  | 125 000  | 3  | 2/12    |          |
| 6248 NH   |         | 480               | 282.5    | 48              | 36...56       | 61    | 6.9         | ■                                       | 26.0        | 4 000             | -20...+55*        | 70 000 / 50 000  | 110 000  | 4  |         |          |
| <b>VARIOFAN – DC fans with temperature-dependent speed control.</b> |         |                   |          |                 |               |       |             |   |             |                   |                   |  |  |  |         |          |
| 30°C<br>50°C  | 6224 NT | 205               | 120.7    | 24              | 12...28       | 35    | 4.5         | ■                                       | 8.5         | 1 700             | -10...+72         | 77 500 / 35 000  | 125 000  | 5  | 6       |          |
|   |         | 410               | 241.3    |                 | 55            | 6.1   | 18.0        |   | 3 400       |                   |                   |  |  |  |         |          |
| 30°C<br>50°C  | 6248 NT | 205               | 120.7    | 48              | 28...60       | 35    | 4.5         | ■                                       | 8.5         | 1 700             | -10...+72         | 77 500 / 35 000  | 125 000  | 5  | 6       |          |
|   |         | 410               | 241.3    |                 | 55            | 6.1   | 17.0        |   | 3 400       |                   |                   |  |  |  |         |          |

\* 72 °C upon on request.



Temperature sensor (NTC-resistor) for controlling the motor speed is positioned directly in the air flow.



ebmpapst



## X-ON Electronics

Largest Supplier of Electrical and Electronic Components

*Click to view similar products for [DC Fans](#) category:*

*Click to view products by [ebm papst](#) manufacturer:*

Other Similar products are found below :

[614R](#) [AUB0612L](#) [AFB0948HH-S687](#) [G2E085-AA05-10](#) [4318/12T](#) [AUB0912H-F00](#) [3412N/2ME](#) [W2G110-AM39-01](#) [8412GLV](#) [8412NGL-12](#) [6448-384](#) [4114N/17-251](#) [622/2N](#) [4318/2R](#) [4412F/2D](#) [424JMU](#) [4414/2HH](#) [4112 N/12GL-175](#) [9GA0912F402](#) [9GA0812B20011](#) [AFB0824SHBAV1](#) [DV5214/2NP-230](#) [9GA0912H4021](#) [THC1548MGDJJ](#) [GFB1224SHG](#) [8500NU](#) [DC0401012V2B-3T0](#) [3254J/2HPU](#) [9A0612G402](#) [AD5012HB-C71](#) [AD5012MB-C71](#) [EF92251S3-1000U-A99](#) [PF80251B3-000U-Q99](#) [026758A](#) [3258J/2H3PU????](#) [412/2H](#) [4292](#) [MF60152V1-1000U-G99](#) [3610KL-04W-B50-D00](#) [EE92251B1-000U-G99](#) [8218J/2H4P](#) [4318NN](#) [4318NH3](#) [4314NL](#) [4312NM](#) [MITX-CORE-HTSNK](#) [ME45101V1-000U-A99](#) [OD1238-24HBIP55](#) [4312NHH](#) [612N/2GH](#)