

# 6200N Series

# Tubeaxial

Ø 172x51mm



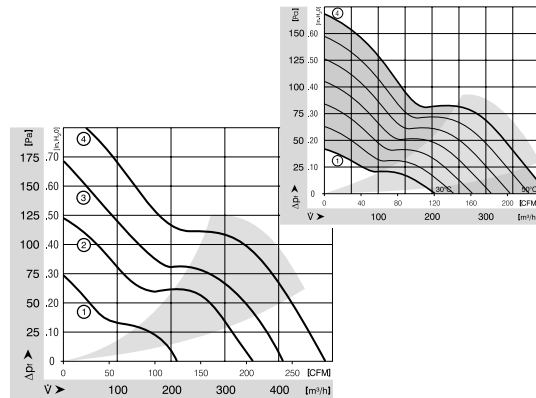
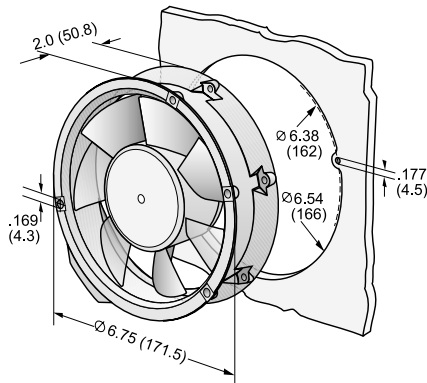
- DC fans with electronically commutated external rotor motor. Fully integrated commutation electronics. With electronic protection against reverse polarity and blocking; electronic motor current limitation in the start-up phase when rotor is blocked.
- Metal fan housing, impeller of fiber-glass reinforced plastic PA.

- Air exhaust over struts. Rotational direction CCW looking at rotor.
- Electrical connection via 2 flat pins 3 x 0.5 mm. Housing with ground lug for screw M4 x 8 (TORX).
- UL, CSA, VDE approvals on some models, please contact application engineering.
- Mounting from either face using two 4.3 mm holes.

Part Number	Curve	CFM @ 0	VDC	Volt. Range	Power (W)	dBa	Max Amb. Temp C	Bearing Type	Features	Wgt. (lbs)
6212NM	2	206.0	12	8 to 15	12.0	50	72	Ball	Terminals	1.75
6224NM	2	206.0	24	12 to 32	12.0	50	72	Ball	Terminals	1.75
6224N	3	241.3	24	12 to 28	18.0	55	72	Ball	Terminals	1.75
6224N/2	3	241.3	24	12 to 28	18.0	55	72	Ball	Terminals	1.75
6224N/12	3	241.3	24	12 to 28	18.0	55	72	Ball	Terminals	1.75
6224NH	4	282.5	24	12 to 28	26.0	61	55	Ball	Terminals	1.75
6248NL	1	120.7	48	28 to 60	4.0	35	72	Ball	Terminals	1.75
6248NM	2	206.0	48	28 to 60	11.5	50	72	Ball	Terminals	1.75
6248N	3	241.3	48	28 to 60	17.0	55	72	Ball	Terminals	1.75
6248N/2	3	241.3	48	28 to 60	17.0	55	72	Ball	Terminals	1.75
6248N/12	3	241.3	48	28 to 60	17.0	55	72	Ball	Terminals	1.75
6248NH	4	282.5	48	36 to 56	26.0	61	55	Ball	Terminals	1.75

### Variofan - DC fans with temperature-dependent speed control

30°C	6224NT	1	120.7	24	12 to 28	8.5	35	72	Ball	Leads	1.75
50°C		4	241.3								
30°C	6248NT	1	120.7	48	28 to 60	8.5	35	72	Ball	Leads	1.75
50°C		4	241.3								



## X-ON Electronics

Largest Supplier of Electrical and Electronic Components

*Click to view similar products for [AC Fans](#) category:*

*Click to view products by [ebm papst](#) manufacturer:*

Other Similar products are found below :

[M2E068-DF13-79](#) [F1238H24B-FHR](#) [8850A](#) [G9225S05B2-FSR](#) [A2D200-AA04-41](#) [A2E165-AA17-01](#) [R2D140-AB02-14](#) [R4D310-AS18-01](#)  
[R4D400-AD22-06](#) [R4E180-AS11-09](#) [AD0912HB-A7BGL](#) [25.001.1856.0](#) [25.320.1153.1](#) [25.320.1353.1](#) [25.320.4753.1](#) [25.320.5453.1](#)  
[25.330.1353.1](#) [25.330.4853.1](#) [25.330.5153.1](#) [25.330.5353.1](#) [25.340.1053.1](#) [25.350.5253.0](#) [25.600.4053.0](#) [272DL-2LP11-000](#) [S2E250-AL06-](#)  
[70](#) [A2D210-AB10-05](#) [A2D240-AA02-02](#) [A2D250-AE22-06](#) [A2E170-AF23-01](#) [F1238S24BT-FSR](#) [25.000.1856.0](#) [25.000.2056.0](#)  
[25.010.1856.0](#) [25.220.3953.1](#) [25.332.2453.1](#) [25.340.0453.1](#) [25.345.5353.0](#) [25.352.1853.0](#) [281DS-2LP11-000B](#) [281DY-1LP14-000B](#) [298DM-](#)  
[2LP11-000](#) [298DS-2LP11-000A](#) [R2S150-AD08-09](#) [344DY-1LP11-000](#) [D2E146-CD51-09](#) [39.703.0253.0](#) [USTF1203224VHW](#)  
[3G2C7MC224](#) [W2D300-CP02-48](#) [W2E300-DA01-52](#)