

6200N Series

Tubeaxial

Ø 172x51mm

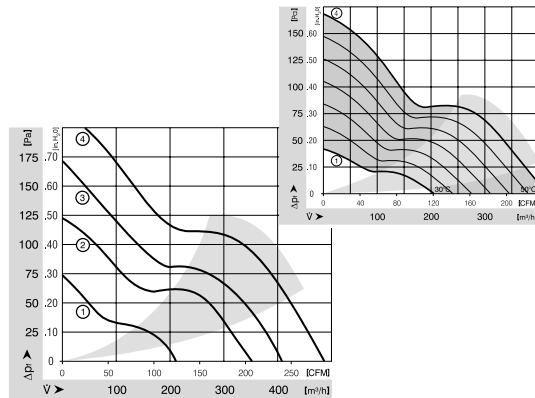
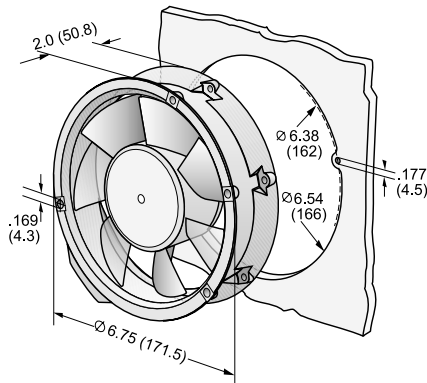


- DC fans with electronically commutated external rotor motor. Fully integrated commutation electronics. With electronic protection against reverse polarity and blocking; electronic motor current limitation in the start-up phase when rotor is blocked.
- Metal fan housing, impeller of fiber-glass reinforced plastic PA.
- Air exhaust over struts. Rotational direction CCW looking at rotor.
- Electrical connection via 2 flat pins 3 x 0.5 mm. Housing with ground lug for screw M4 x 8 (TORX).
- UL, CSA, VDE approvals on some models, please contact application engineering.
- Mounting from either face using two 4.3 mm holes.

Part Number	Curve	CFM @ 0	VDC	Volt. Range	Power (W)	dBa	Max Amb. Temp C	Bearing Type	Features	Wgt. (lbs)
6212NM	2	206.0	12	8 to 15	12.0	50	72	Ball	Terminals	1.75
6224NM	2	206.0	24	12 to 32	12.0	50	72	Ball	Terminals	1.75
6224N	3	241.3	24	12 to 28	18.0	55	72	Ball	Terminals	1.75
6224N/2	3	241.3	24	12 to 28	18.0	55	72	Ball	Terminals	1.75
6224N/12	3	241.3	24	12 to 28	18.0	55	72	Ball	Terminals	1.75
6224NH	4	282.5	24	12 to 28	26.0	61	55	Ball	Terminals	1.75
6248NL	1	120.7	48	28 to 60	4.0	35	72	Ball	Terminals	1.75
6248NM	2	206.0	48	28 to 60	11.5	50	72	Ball	Terminals	1.75
6248N	3	241.3	48	28 to 60	17.0	55	72	Ball	Terminals	1.75
6248N/2	3	241.3	48	28 to 60	17.0	55	72	Ball	Terminals	1.75
6248N/12	3	241.3	48	28 to 60	17.0	55	72	Ball	Terminals	1.75
6248NH	4	282.5	48	36 to 56	26.0	61	55	Ball	Terminals	1.75

Variofan - DC fans with temperature-dependent speed control

30°C ▼ 50°C	6224NT	1	120.7	24	12 to 28	8.5	35	72	Ball	Leads	1.75
		4	241.3								
30°C ▼ 50°C	6248NT	1	120.7	48	28 to 60	8.5	35	72	Ball	Leads	1.75
		4	241.3								



X-ON Electronics

Largest Supplier of Electrical and Electronic Components

Click to view similar products for [DC Fans](#) category:

Click to view products by [ebm papst](#) manufacturer:

Other Similar products are found below :

[614R](#) [AUB0612L](#) [AFB0948HH-S687](#) [G2E085-AA05-10](#) [4318/12T](#) [AUB0912H-F00](#) [3412N/2ME](#) [W2G110-AM39-01](#) [8412GLV](#) [8412NGL-12](#) [6448-384](#) [4114N/17-251](#) [622/2N](#) [4318/2R](#) [4412F/2D](#) [424JMU](#) [4414/2HH](#) [4112 N/12GL-175](#) [9GA0912F402](#) [9GA0812B20011](#) [AFB0824SHBAV1](#) [DV5214/2NP-230](#) [9GA0912H4021](#) [THC1548MGDJJ](#) [GFB1224SHG](#) [8500NU](#) [DC0401012V2B-3T0](#) [3254J/2HPU](#) [9A0612G402](#) [AD5012HB-C71](#) [AD5012MB-C71](#) [EF92251S3-1000U-A99](#) [PF80251B3-000U-Q99](#) [026758A](#) [3258J/2H3PU????](#) [412/2H](#) [4292](#) [MF60152V1-1000U-G99](#) [3610KL-04W-B50-D00](#) [EE92251B1-000U-G99](#) [8218J/2H4P](#) [4318NN](#) [4318NH3](#) [4314NL](#) [4312NM](#) [MITX-CORE-HTSNK](#) [ME45101V1-000U-A99](#) [OD1238-24HBIP55](#) [4312NHH](#) [612N/2GH](#)