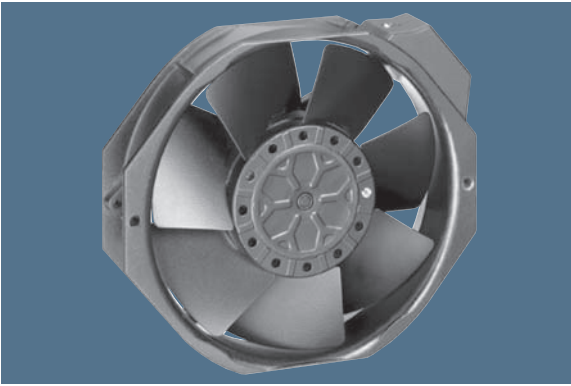


max. 380 m<sup>3</sup>/h

# AC axial fans

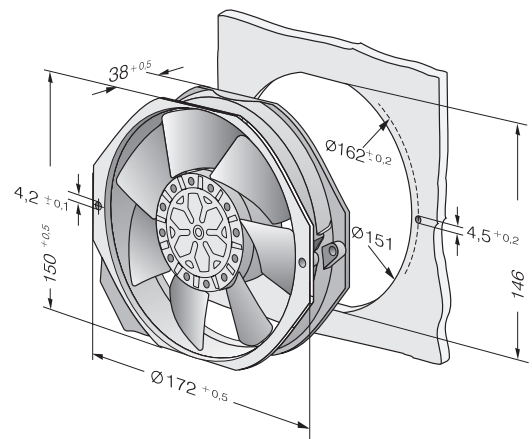
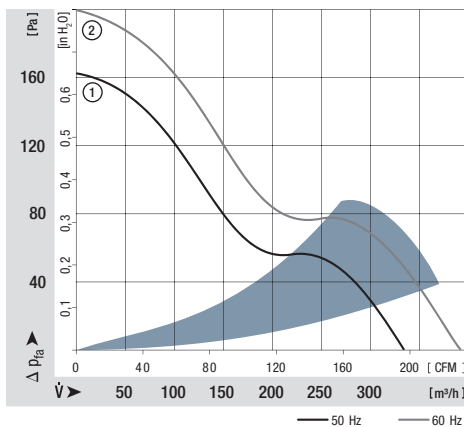
Series 7000 150 x 172 x 38 mm



- AC fans with external rotor capacitor motor. Protected against overloading by integrated thermal cut-out.
- Metal fan housing and impeller.
- Air exhaust over struts. Direction of rotation counter-clockwise, seen on rotor.
- Electrical connection via 2 flat plugs 2.8 x 0.5 mm.
- Fan housing with grounding lug and screw M4 x 6.
- Mass: 900 g.
- Please note our new ACmaxx series. With identical mounting dimensions and voltages, this series achieves higher energy efficiency.

Nominal data	Air flow		Nominal voltage	Frequency	Sound pressure level	Sound power level	Sinter sleeve bearings Ball bearings	Power input	Nominal speed	Temperature range	Service life L <sub>10</sub>		Curve
	m <sup>3</sup> /h	CFM									at 40 °C	at T <sub>max</sub>	
Type	m <sup>3</sup> /h	CFM	V	Hz	dB(A)	Bel(A)	□ / ■	Watts	RPM	°C	Hours	Hours	
7056 ES	320	188,3	<b>230</b>	<b>50</b>	51	6,4	■	27,0	2 800	-25...+55	60 000 / 32 000		1
7006 ES	380	223,6	<b>115</b>	<b>60</b>	56	6,8	■	28,0	3 350	-25...+65	55 000 / 18 000		2

Minimum ambient temperature -15 °C.



## X-ON Electronics

Largest Supplier of Electrical and Electronic Components

*Click to view similar products for [AC Fans](#) category:*

*Click to view products by [ebm papst](#) manufacturer:*

Other Similar products are found below :

[G9225S05B2-FSR](#) [A2D200-AA04-41](#) [A2E165-AA17-01](#) [AD0912HB-A7BGL](#) [1500-FAN-01](#) [25.001.1856.0](#) [25.320.1353.1](#) [25.320.4753.1](#)  
[25.320.5453.1](#) [25.330.1353.1](#) [25.330.4853.1](#) [25.330.5153.1](#) [25.330.5353.1](#) [25.340.1053.1](#) [25.350.5253.0](#) [25.600.4053.0](#) [272DL-2LP11-000](#)  
[A2D210-AB10-05](#) [A2D240-AA02-02](#) [A2D250-AE22-06](#) [A2E170-AF23-01](#) [F1238S24BT-FSR](#) [23241-3](#) [25.000.1856.0](#) [25.000.2056.0](#)  
[25.010.1856.0](#) [25.332.2453.1](#) [25.340.0453.1](#) [25.345.5353.0](#) [281DS-2LP11-000B](#) [281DY-1LP14-000B](#) [298DM-2LP11-000](#) [298DS-2LP11-](#)  
[000A](#) [344DY-1LP11-000](#) [39.703.0253.0](#) [USTF1203224VHW](#) [3G2C7MC224](#) [W2S130-AA03-43](#) [W2S130-AA25-97](#) [8856N](#) [A4D315-AC20-](#)  
[02](#) [A2E170-AF23-11](#) [W2S130-AB03-09](#) [8550A](#) [8560N](#) [8880A](#) [S4D300-AR34-17](#) [S2E250-AE31-08](#) [AD0405HB-G73\(9T\)](#) [CENT-2000-](#)  
[FFTM](#)