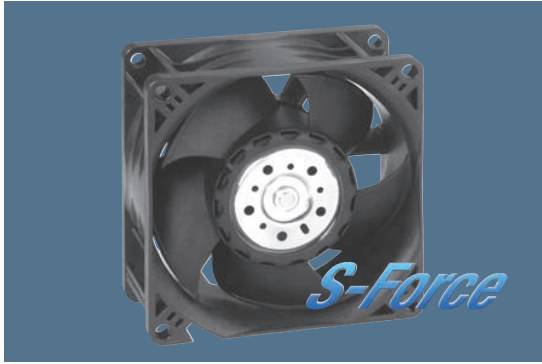


max. 222 m³/h

DC axial fans

Series 8200 J 80 x 80 x 38 mm



Highlights:

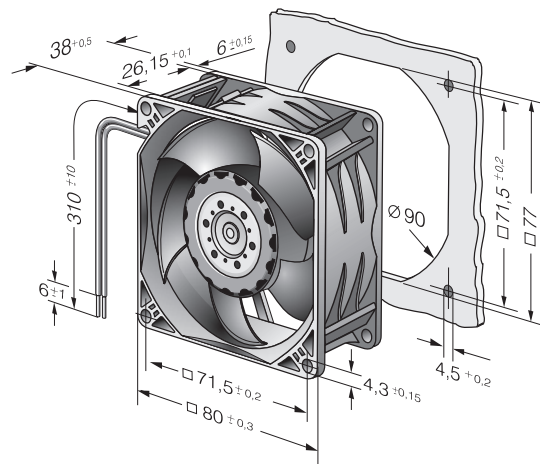
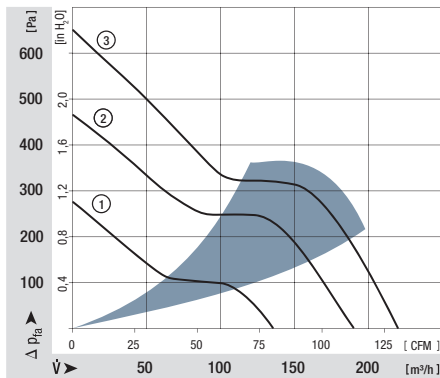
- Very rigid compression curve for high air flow at high back pressure.
- Innovative impeller with winglets for low noise.
- Optional Vario-Pro: Highly adaptable software configuration of the fan enables a tailor-made solution to the specific requirements of your applications.

General characteristics:

- Material: fiberglass-reinforced plastic. Impeller PA, housing PBT.
- Fully integrated electronic commutation. Protected against reverse polarity and locking.
- Connection via single strands AWG 24 (H3 and H4: AWG 22), TR 64. Bared and tin-plated.
- Air exhaust over struts. Direction of rotation counter-clockwise, seen on rotor.
- Mass: 160 g (H3 and H4: 200 g).

Nominal data	Air flow		Nominal voltage	Voltage range	Sound pressure level	Sound power level	Sinter sleeve bearings Ball bearings	Power input	Nominal speed	Temperature range	Service life L ₁₀ (40 °C) ebm-papst Standard	Service life L ₁₀ (T _{max}) ebm-papst Standard	Life expectancy L ₁₀ ^Δ (40 °C) see P.15	Curve		Specials
	m ³ /h	CFM												VDC	VDC	
8212 JN	132	77,7	12	7...13,8	55	6,6	■	10	8400	-20...+70	62 500 / 32 500	130 000	1	/2		
8212 JH3 <i>S-Force</i>	190	111,8	12	6...13,8	66	7,3	■	25	12 000	-20...+70	55 000 / 27 500	110 000	2	/2		
8212 JH4 <i>S-Force</i>	222	130,7	12	6...13,8	71	7,8	■	39	14 000	-20...+70	50 000 / 25 000	100 000	3	/2		
8214 JN	132	77,7	24	18...26,4	55	6,6	■	10	8400	-20...+70	62 500 / 32 500	130 000	1	/2		
8214 JH3 <i>S-Force</i>	190	111,8	24	12...27,6	66	7,3	■	25	12 000	-20...+70	55 000 / 27 500	110 000	2	/2		
8214 JH4 <i>S-Force</i>	222	130,7	24	12...27,6	71	7,8	■	38	14 000	-20...+70	50 000 / 25 000	100 000	3	/2		
8218 JN	132	77,7	48	36...53	55	6,6	■	11	8400	-20...+70	62 500 / 32 500	130 000	1	/2		
8218 JH3 <i>S-Force</i>	190	111,8	48	20...58	66	7,3	■	25	12 000	-20...+70	55 000 / 27 500	110 000	2	/2		
8218 JH4 <i>S-Force</i>	222	130,7	48	20...58	71	7,8	■	36	14 000	-20...+70	50 000 / 25 000	100 000	3	/2		

8200 JH3 and JH4 also as standard with PWM control input and speed signal.
Speed control range from 2000 RPM up to maximum nominal speed. Stationary at 0 % PWM, maximum speed at sensor break.



X-ON Electronics

Largest Supplier of Electrical and Electronic Components

Click to view similar products for [EC Fans](#) category:

Click to view products by [ebm papst](#) manufacturer:

Other Similar products are found below :

[N43-45001](#) [CF4113HBL-000U-ABD](#) [ACi4400H](#) [ACi4400L](#) [3238.500](#) [3241.500](#) [CF4113MBL-000U-AE9](#) [ACi4400HH](#) [ACI4400MLR](#)
[8218J/2H3](#) [CF4113HBT-000U-ABD](#) [AC4300H](#) [ACi4410HH](#) [ACi4420H](#) [ACi4420HH](#) [ACI4420ML](#) [W1G200-EF01-01](#) [W1G230-EB97-01](#)
[W1G250-BB17-01](#) [W3G250-CD54-01](#) [W3G280-EQ08-44](#) [W3G280-EQ20-43](#) [FMA1-06025WBHW12](#) [FMA1-08025WBHT12](#) [FMA1-](#)
[08025WBHW12](#) [FMA1-08038WBHT12](#) [FMA1-09225WBHT12](#) [FMA1-09225WBHW12](#) [FMA1-09238WBHT12](#) [FMA1-09238WBHW12](#)
[FMA1-12025WBHT12](#) [FMA1-12025WBHW12](#) [FMA1-12038WBHT12](#) [FMA1-12038WBHW12](#) [FMA1-12038WBJW12-A](#) [FMA1-](#)
[17251WBHW32](#) [CF4113HBL-000U-AB9](#) [CF4113LBL-000U-AB9](#) [CF4113LBL-000U-ABD](#) [CF4113MBL-000U-AB9](#) [CF4113MBL-000U-](#)
[ABD](#) [W1G250-BB21-01](#) [W2G107-AD01-13](#) [W2G107-AD03-13](#) [W1G200-EA95-68](#) [CF4113LBT-000U-A99](#) [CF4113MBL-000U-AA9](#)
[CF4113MBT-000U-A99](#) [CF4113LBL-000U-AA9](#) [CF4113MBT-000U-AA9](#)