

Max. 80 m³/h

DC axial fans

□ 80 x 32 mm



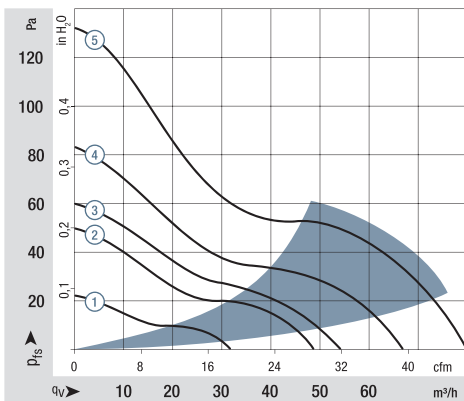
- **Material:** Housing: GRP¹⁾ (PBT)
Impeller: GRP¹⁾ (PA)
- **Direction of air flow:** Exhaust over struts
- **Direction of rotation:** Clockwise, looking towards rotor
- **Connection:** Via single wires AWG 22, TR 64
- **Weight:** 170 g

- **Possible special versions:**
(See chapter DC fans - specials)
 - Speed signal
 - Go / NoGo alarm
 - Alarm with speed limit
 - External temperature sensor
 - Internal temperature sensor
 - PWM control input
 - Analog control input
 - Moisture protection
 - Salt spray protection
 - Degree of protection: IP 54 / IP 68

1) Fiberglass-reinforced plastic

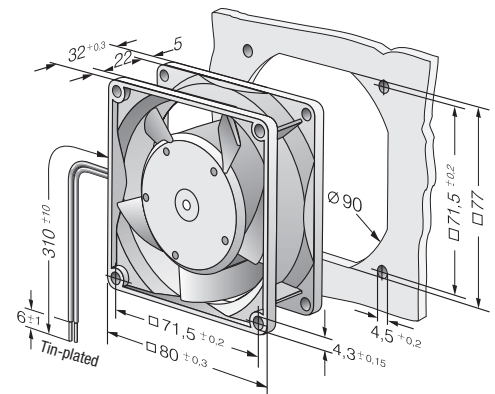
Series 8300	Nominal data		Nominal voltage	Voltage range	Sound pressure level	Sound power level	Sinter sleeve bearings Ball bearings	Power consumption	Nominal speed	Temperature range	Service life L ₁₀ (40 °C) ebm-papst standard	Service life L ₁₀ (T _{max}) ebm-papst standard	Life expectancy L ₁₀ (IPC (40 °C) see page 17	Curve
	Air flow	Air flow												
Type	m ³ /h	cfm	VDC	VDC	dB(A)	Bel(A)	□ / ■	Watts	rpm ¹	°C	Hours	Hours	Hours	Curve
8312 L	32	18.8	12	6...15	24	4.0	■	1.2	2 000	-20...+75	80 000 / 32 500	135 000	①	
8312 M	48	28.3	12	6...15	34	5.0	■	2.2	3 000	-20...+75	70 000 / 27 500	117 500	②	
8312	54	31.8	12	6...15	36	5.2	■	2.6	3 300	-20...+75	70 000 / 27 500	117 500	③	
8312 HL	67	39.4	12	6...15	43	5.8	■	4.0	4 200	-20...+75	62 500 / 25 000	105 000	④	
8312 H	80	47.1	12	6...12.6	48	6.2	■	6.4	5 000	-20...+60	55 000 / 35 000	92 500	⑤	
8314 L	32	18.8	24	12...31.5	24	4.0	■	1.0	2 000	-20...+75	80 000 / 32 500	135 000	①	
8314 M	48	28.3	24	12...31.5	34	5.0	■	2.3	3 000	-20...+75	70 000 / 27 500	117 500	②	
8314	54	31.8	24	12...31.5	36	5.2	■	2.7	3 300	-20...+75	70 000 / 27 500	117 500	③	
8314 HL	67	39.4	24	12...31.5	43	5.8	■	4.3	4 200	-20...+75	62 500 / 25 000	105 000	④	
8314 H	80	47.1	24	12...28	48	6.2	■	6.0	5 000	-20...+75	55 000 / 20 000	92 500	⑤	
8318	54	31.8	48	36...60	36	5.2	■	3.0	3 300	-20...+75	70 000 / 27 500	117 500	③	
8318 HL	67	39.4	48	36...60	43	5.8	■	4.2	4 200	-20...+75	62 500 / 25 000	105 000	④	
8318 H	80	47.1	48	36...60	48	6.2	■	6.2	5 000	-20...+65	55 000 / 30 000	92 500	⑤	

Subject to change



Air performance measured according to: ISO 5801.
Installation category A, without contact protection.
Noise: Total sound power level L_{WA} ISO 103002 measured on a hemisphere with a radius of 2 m.
Sound pressure level L_{PA} measured at 1 m distance from fan axis.
The values given are applicable only under the specified measuring conditions and may differ depending on the installation conditions.
In the event of deviation from the standard configuration, the parameters must be checked after installation!
For detailed information see <http://www.ebmpapst.com/general conditions>

Rotor protrusion max. 0.4 mm.



X-ON Electronics

Largest Supplier of Electrical and Electronic Components

Click to view similar products for [DC Fans](#) category:

Click to view products by [ebm papst](#) manufacturer:

Other Similar products are found below :

[614R](#) [6424/2HP-210](#) [8312R](#) [DV4118/2NP-183](#) [AFB0948HH-S687](#) [PFB0824DHE-8B72](#) [G2E085-AA05-10](#) [RD20S-4/210660](#) [4318/12T](#)
[4418HH](#) [AUB0912H-F00](#) [3412N/2ME](#) [K2E225-RA92-09](#) [4184N/2XR](#) [5214N2HH](#) [614J2HHPR-010](#) [8412NGL-12](#) [4114N/12HHR-297](#)
[4656](#) [ZWR-903](#) [4112N12GL-175](#) [KD2406PKB2.\(2\).GN](#) [AFB1248HHE](#) [AFB1212LE-F00](#) [FAN-SCH-1](#) [MF60151V1-1000U-G99](#)
[PF80252V1-1000U-G99](#) [PF92252V1-1000U-G99](#) [4112N/2H6P](#) [4114N/17-251](#) [6212NH](#) [622/2N](#) [712F-011](#) [8218J/2NP-181](#) [W1G180-AB47-](#)
[15](#) [FAA1-12038NBKW31-A](#) [6318N/2TDP](#) [6318N/2H3PU](#) [6318HU](#) [424JMU](#) [PMD1206PTVX-A.U.GN](#) [PF80251B2-000U-F99](#)
[EF40101BX-1000U-G99](#) [AD1224LB-A71GL](#) [9GA0924L4021](#) [9GA0924M4021](#) [9GA0924M4011](#) [9GA0824B20011](#) [9GA0812A2D0011](#)
[9GA0912M4D011](#) [9GA0924W4D01](#)