

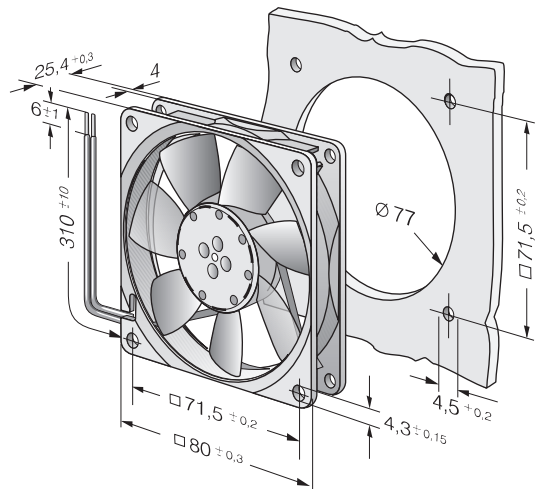
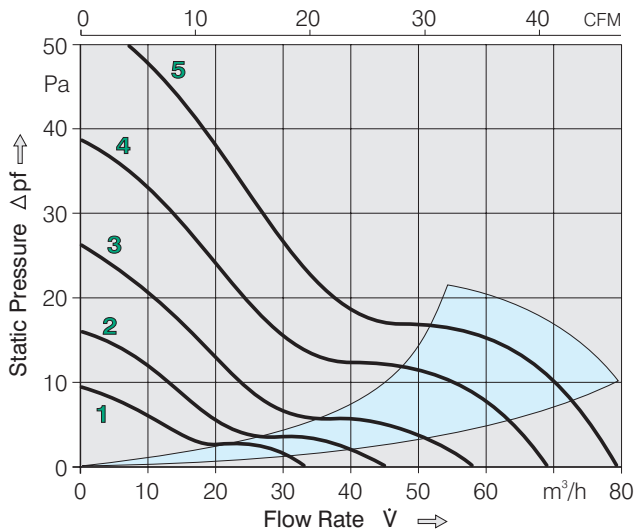


- DC fans with electronically commutated external rotor motors. Fully integrated commutation electronics.
- With electronic protection against reverse polarity, blocking and overloading by PTC-resistor; partially impedance protected.
- Fan of fibreglass reinforced plastic. PBTP housing, PA impeller.
- Air exhaust over struts. Rotational direction CCW looking at rotor.
- Electrical connection via leads AWG 24, TR 64. Stripped and tinned ends.
- Mass 95 g.

SERIES 8400N

80x80x25mm

Air flow		Nominal Voltage	Voltage Range	Noise		Sinter-Sleeve Bearings Ball Bearings	Power Input	Nominal Speed	Temperature Range	Service Life L ₁₀		Curve	Type
m ³ /h	CFM			V DC	V DC					dB(A)	bels		
33	19.4	12	8...15	12	3.5	●	0.6	1500	-20...+70	80000 / 40000	1	8412NGL	
33	19.4	12	8...15	17	3.7	●	0.6	1500	-20...+70	80000 / 40000	1	8412NL	
45	26.5	12	8...15	19	3.9	●	0.9	2050	-20...+70	80000 / 40000	2	8412NGML	
45	26.5	12	8...15	21	4.0	●	0.9	2050	-20...+70	80000 / 40000	2	8412NML	
58	34.1	12	8...15	26	4.3	●	1.3	2600	-20...+70	80000 / 40000	3	8412NGM	
58	34.1	12	8...15	27	4.4	●	1.3	2600	-20...+70	80000 / 40000	3	8412NM	
69	40.6	12	8...15	32	4.7	●	2.0	3100	-20...+70	70000 / 35000	4	8412NG	
69	40.6	12	8...15	32	4.7	●	2.0	3100	-20...+70	70000 / 35000	4	8412N	
79	46.5	12	8...15	37	5.0	●	2.8	3600	-20...+70	70000 / 35000	5	8412NGH	
79	46.5	12	8...15	37	5.0	●	2.8	3600	-20...+70	70000 / 35000	5	8412NH	
33	19.4	24	18...28	12	3.5	●	0.7	1500	-20...+70	80000 / 40000	1	8414NGL	
33	19.4	24	18...28	17	3.7	●	0.7	1500	-20...+70	80000 / 40000	1	8414NL	
45	26.5	24	18...28	19	3.9	●	1.1	2050	-20...+70	80000 / 40000	2	8414NGML	
45	26.5	24	18...28	21	4.0	●	1.1	2050	-20...+70	80000 / 40000	2	8414NML	
58	34.1	24	18...28	26	4.3	●	1.4	2600	-20...+70	80000 / 40000	3	8414NGM	
58	34.1	24	18...28	27	4.4	●	1.4	2600	-20...+70	80000 / 40000	3	8414NM	
69	40.6	24	18...28	32	4.7	●	2.0	3100	-20...+70	70000 / 35000	4	8414NG	
69	40.6	24	18...28	32	4.7	●	2.0	3100	-20...+70	70000 / 35000	4	8414N	
79	46.5	24	18...26	37	5.0	●	2.8	3600	-20...+70	70000 / 35000	5	8414NGH	
79	46.5	24	18...28	37	5.0	●	2.8	3600	-20...+70	70000 / 35000	5	8414NH	



X-ON Electronics

Largest Supplier of Electrical and Electronic Components

Click to view similar products for [DC Fans](#) category:

Click to view products by [ebm papst](#) manufacturer:

Other Similar products are found below :

[614R](#) [AUB0612L](#) [AFB0948HH-S687](#) [G2E085-AA05-10](#) [4318/12T](#) [AUB0912H-F00](#) [3412N/2ME](#) [W2G110-AM39-01](#) [8412GLV](#) [8412NGL-12](#) [6448-384](#) [4114N/17-251](#) [622/2N](#) [4318/2R](#) [4412F/2D](#) [424JMU](#) [4414/2HH](#) [4112 N/12GL-175](#) [9GA0912F402](#) [9GA0812B20011](#)
[AFB0824SHBAV1](#) [DV5214/2NP-230](#) [9GA0912H4021](#) [THC1548MGDJJ](#) [GFB1224SHG](#) [8500NU](#) [DC0401012V2B-3T0](#) [7F.20.9.024.3100](#)
[ASFP12391](#) [ASFP12392](#) [ASFP80372](#) [ASFP92391](#) [MF92251V3-1000U-G99](#) [3254J/2HPU](#) [9A0612G402](#) [AD5012HB-C71](#) [AD5012MB-C71](#)
[ASFP84372](#) [ASFP64372](#) [026758A](#) [3258J/2H3PU????](#) [412/2H](#) [4292](#) [MF60152V1-1000U-G99](#) [3610KL-04W-B50-D00](#) [109P0412K3023](#)
[EE92251B1-000U-F99](#) [8218J/2H4P](#) [PE60251B1-000U-G99](#) [PF60381B1-000U-S99](#)