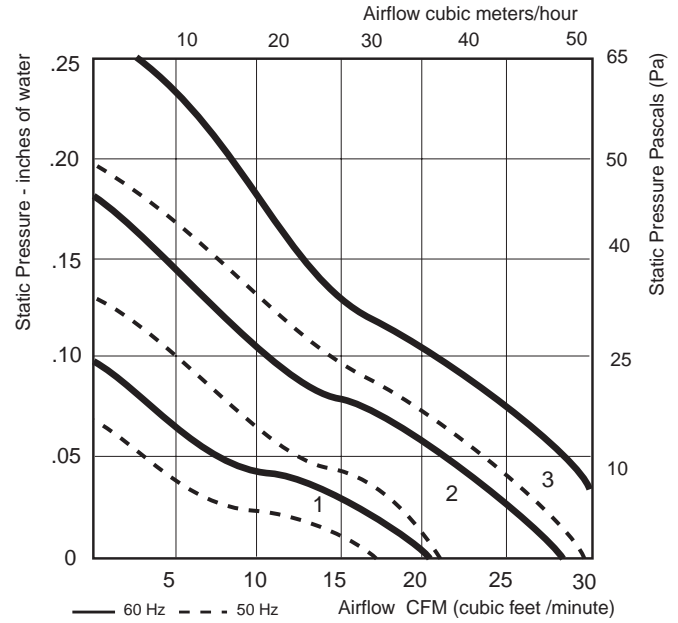
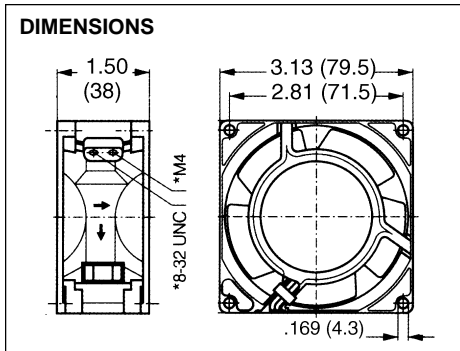


80 x 38mm (3.1" X 1.5") AC FAN

8000V Series

Terminals
Air Exhaust – Over struts
Mounting Bosses



AVAILABLE WITH:

HIGH PERFORMANCE
SINTEC
SLEEVE BEARING SYSTEM

3.13" X 3.13" X 1.50" AC Fan, All Metal, Air Exhaust – Over struts

Curve	PART NUMBER	Type of Bearing	AC Volts	Hertz	Watts	CFM @ 0"	dBA	Temp. Max °C	Wgt. (oz)	Features	Approvals*		
											UL	CSA	VDE
1	8830V	Sleeve	115	50/60	8	21	21	80	17	Terminals	√	√	√
1	8880V	Sleeve	230	50/60	8	21	21	80	17	Terminals	√	√	√
2	8800V	Sleeve	115	50/60	11	28	28	70	17	Terminals	√	√	√
2	8850V	Sleeve	230	50/60	11	28	28	70	17	Terminals	√	√	√
3	8500V	Sleeve	115	50/60	11	36	34	75	17	Terminals	√	√	√
3	8550V	Sleeve	230	50/60	11	36	34	75	17	Terminals	√	√	√
3	8506V	Ball	115	50/60	11	36	35	95	17	Terminals	√	√	√
3	8556V	Ball	230	50/60	11	36	35	95	17	Terminals	√	√	√
3	8560VV	Sleeve	115/230	50/60	11	36	34	70	17	22 AWG 12.2" Leads	√	√	√

* UL yellow card E38324, CSA file 27697, VDE file 6617

CONSTRUCTION MOUNTING & CONNECTION	Mounting:	Either face using four .169" (4.3mm) holes.	Housing:	Metal with metal impeller
	Weight:	17 ounces (490g)	Connection:	Terminals, two flat pins, .110" x .02" (2.8 x .5 mm)

X-ON Electronics

Largest Supplier of Electrical and Electronic Components

Click to view similar products for [AC Fans](#) category:

Click to view products by [ebm papst](#) manufacturer:

Other Similar products are found below :

[M2E068-DF13-79](#) [F1238H24B-FHR](#) [8850A](#) [G9225S05B2-FSR](#) [A2D200-AA04-41](#) [A2E165-AA17-01](#) [R2D140-AB02-14](#) [R4D310-AS18-01](#)
[R4D400-AD22-06](#) [R4E180-AS11-09](#) [AD0912HB-A7BGL](#) [25.001.1856.0](#) [25.320.1153.1](#) [25.320.1353.1](#) [25.320.4753.1](#) [25.320.5453.1](#)
[25.330.1353.1](#) [25.330.4853.1](#) [25.330.5153.1](#) [25.330.5353.1](#) [25.340.1053.1](#) [25.350.5253.0](#) [25.600.4053.0](#) [272DL-2LP11-000](#) [S2E250-AL06-](#)
[70](#) [A2D210-AB10-05](#) [A2D240-AA02-02](#) [A2D250-AE22-06](#) [A2E170-AF23-01](#) [F1238S24BT-FSR](#) [25.000.1856.0](#) [25.000.2056.0](#)
[25.010.1856.0](#) [25.220.3953.1](#) [25.332.2453.1](#) [25.340.0453.1](#) [25.345.5353.0](#) [25.352.1853.0](#) [281DS-2LP11-000B](#) [281DY-1LP14-000B](#) [298DM-](#)
[2LP11-000](#) [298DS-2LP11-000A](#) [R2S150-AD08-09](#) [344DY-1LP11-000](#) [D2E146-CD51-09](#) [39.703.0253.0](#) [USTF1203224VHW](#)
[3G2C7MC224](#) [W2D300-CP02-48](#) [W2E300-DA01-52](#)